



US00D718905S

(12) **United States Design Patent**
Matsuishi et al.

(10) **Patent No.:** **US D718,905 S**

(45) **Date of Patent:** **** Dec. 2, 2014**

(54) **COMPACT CASE**

(71) Applicants: **Midori Matsuishi**, Tokyo (JP); **Chieko Yamamoto**, Tokyo (JP)

(72) Inventors: **Midori Matsuishi**, Tokyo (JP); **Chieko Yamamoto**, Tokyo (JP)

(73) Assignee: **Shiseido Co., Ltd.**, Tokyo (JP)

(**) Term: **14 Years**

(21) Appl. No.: **29/488,920**

(22) Filed: **Apr. 24, 2014**

(51) **LOC (10) Cl.** **28-03**

(52) **U.S. Cl.**
USPC **D28/83**

(58) **Field of Classification Search**

CPC A45D 33/006; A45D 33/003; A45D 33/04-33/16; A45D 33/025; A45D 33/02; A45D 33/20; A45D 33/22; A45D 33/24; A45D 33/26; A45D 33/28; A45D 33/18; A45D 40/22; A45D 40/222; A45D 40/24; A45D 42/02
USPC D28/64.1-64.7, 76-84; 206/581, 823; 132/286-318; D9/503-505, 421, 428, D9/447; D3/901; 220/4.27

See application file for complete search history.

(56) **References Cited**

U.S. PATENT DOCUMENTS

D142,315	S	*	8/1945	Beveridge	D28/78
D309,511	S	*	7/1990	Bertlin et al.	D28/78
D595,455	S	*	6/2009	Nagasaki	D28/83
D630,017	S	*	1/2011	Graff	D3/316
8,001,982	B2	*	8/2011	Guillot	132/295
D685,133	S	*	6/2013	Yamamoto et al.	D28/81
D685,525	S	*	7/2013	Chou et al.	D28/81
2009/0044826	A1	*	2/2009	Eng et al.	132/295

* cited by examiner

Primary Examiner — Jennifer Rivard

(74) *Attorney, Agent, or Firm* — Manabu Kanetsaka

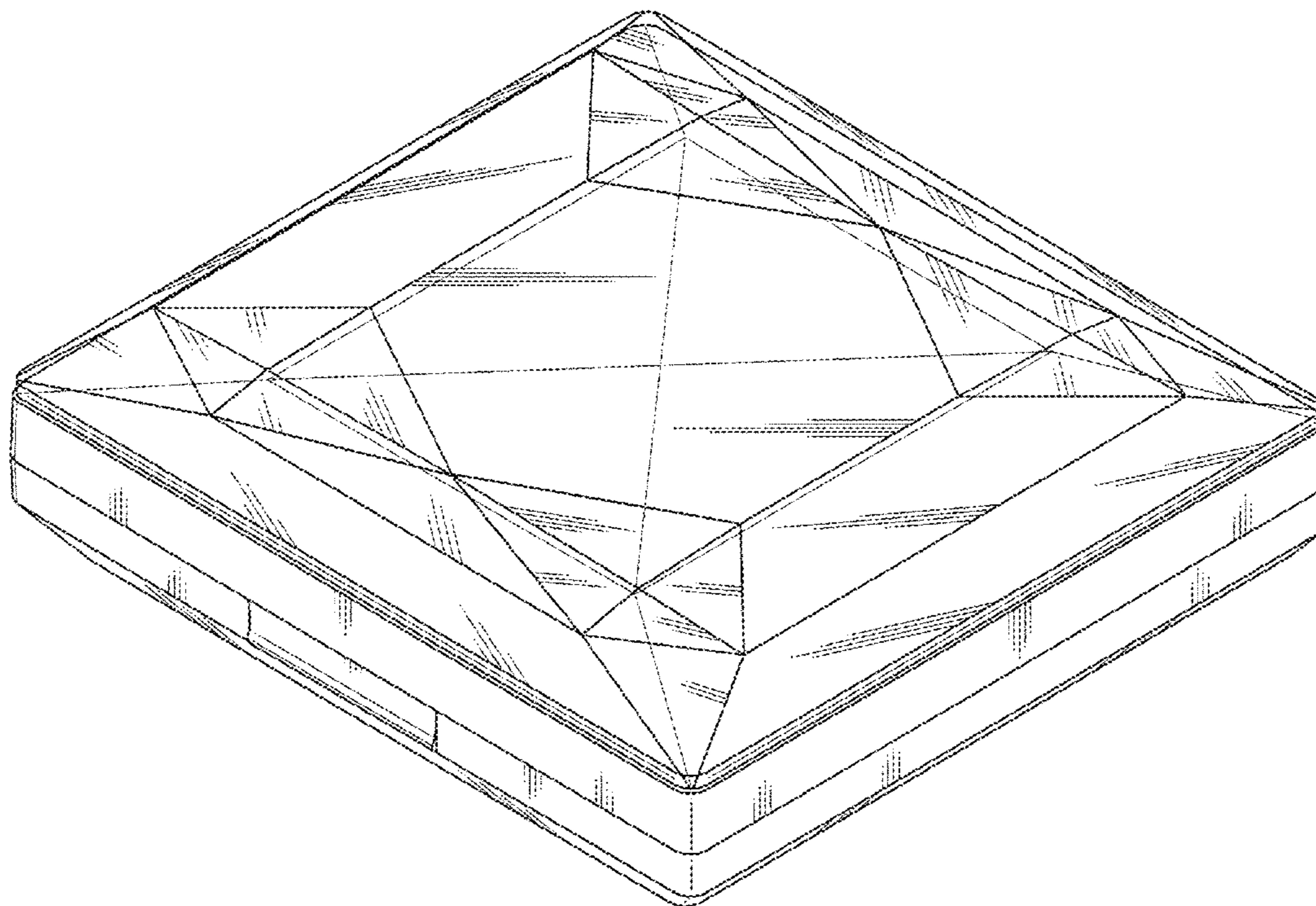
(57) **CLAIM**

The ornamental design for a compact case, as shown and described.

DESCRIPTION

FIG. 1 is a perspective view of a compact case showing our new design;
FIG. 2 is a front view thereof;
FIG. 3 is a rear view thereof;
FIG. 4 is a right side view thereof, the left side view being a mirror image of the right side view thereof;
FIG. 5 is a top plan view thereof; and,
FIG. 6 is a bottom plan view thereof.

1 Claim, 5 Drawing Sheets



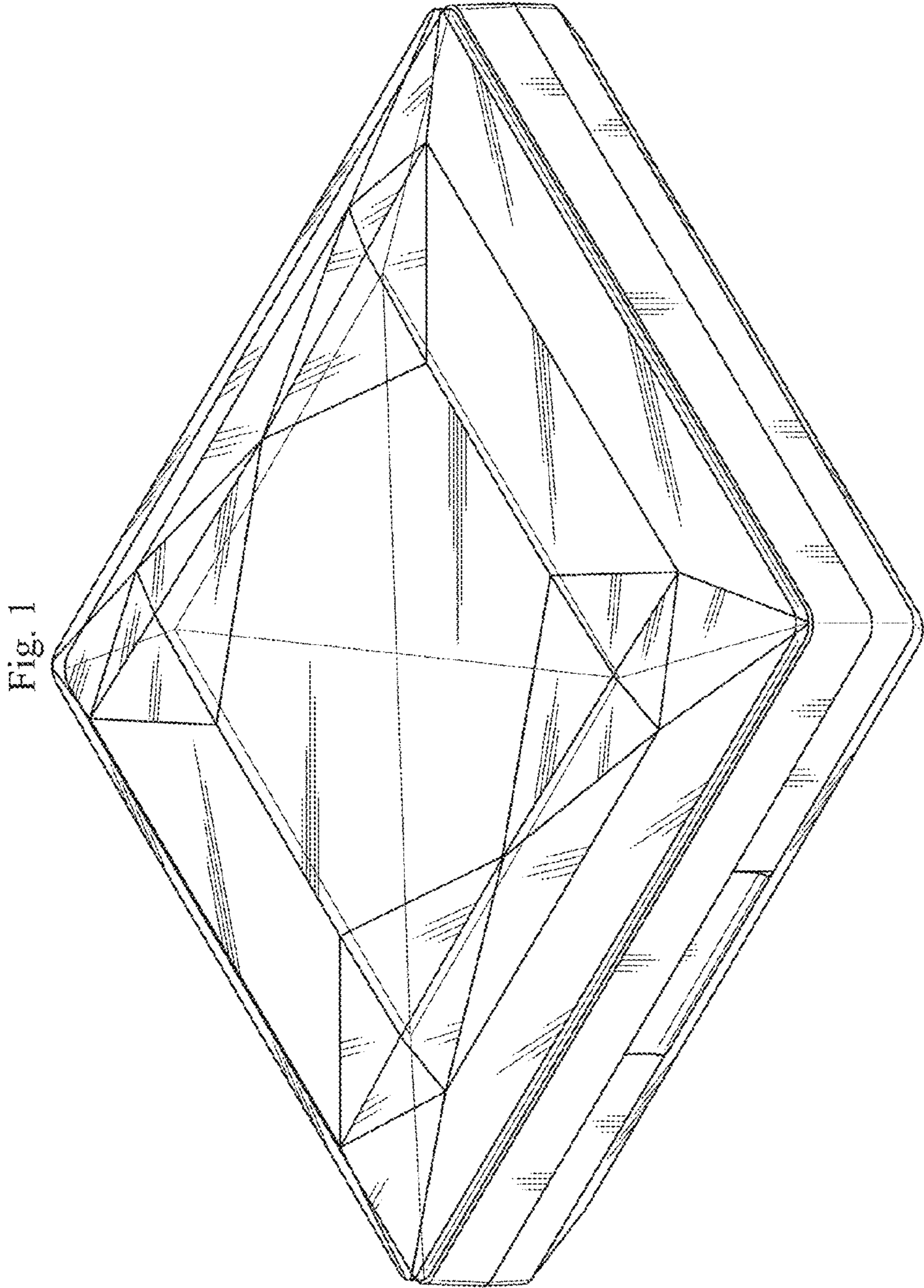


Fig. 2

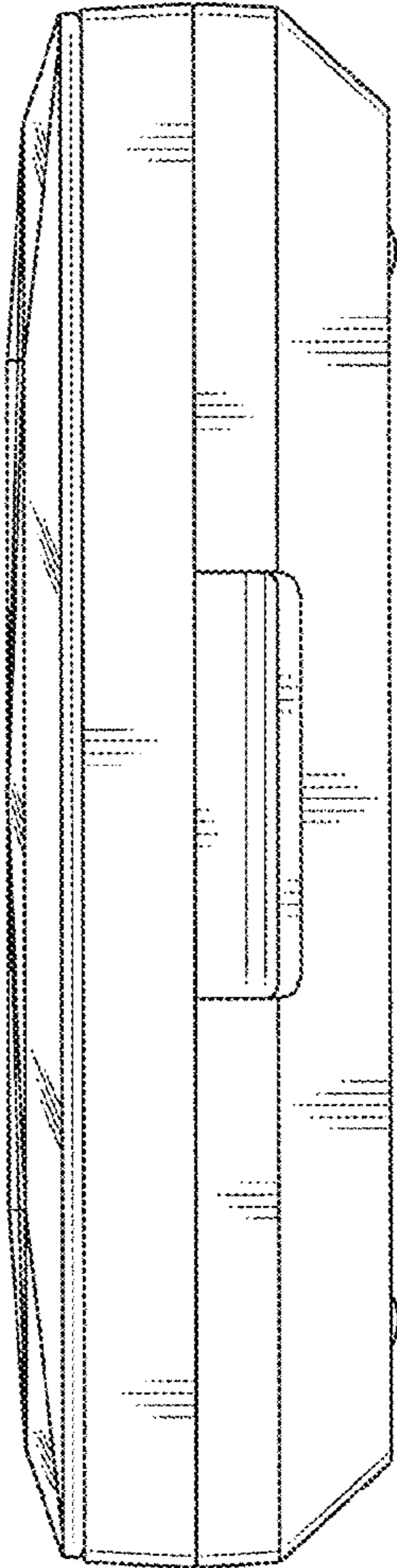


Fig. 3

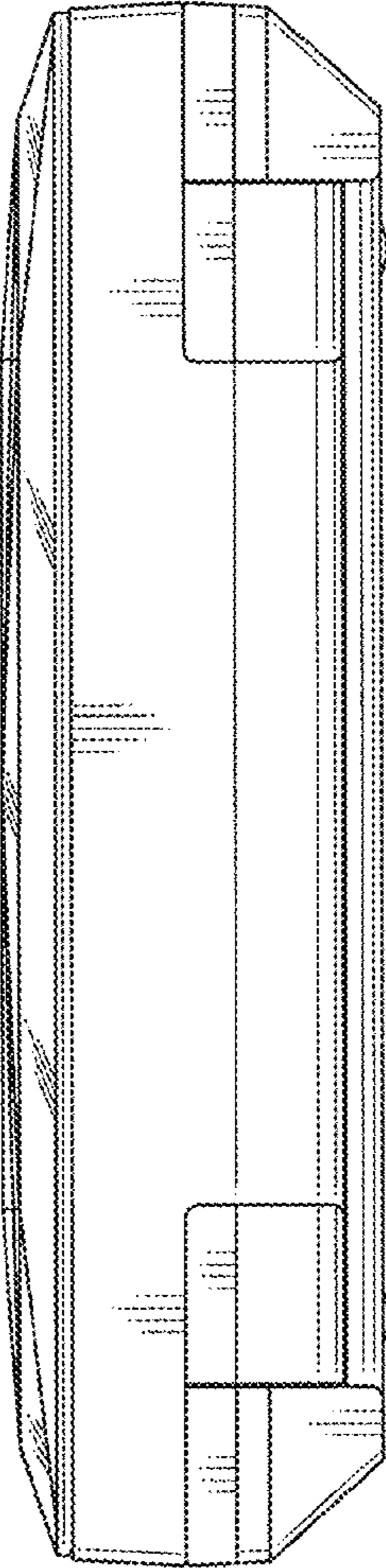


Fig. 4

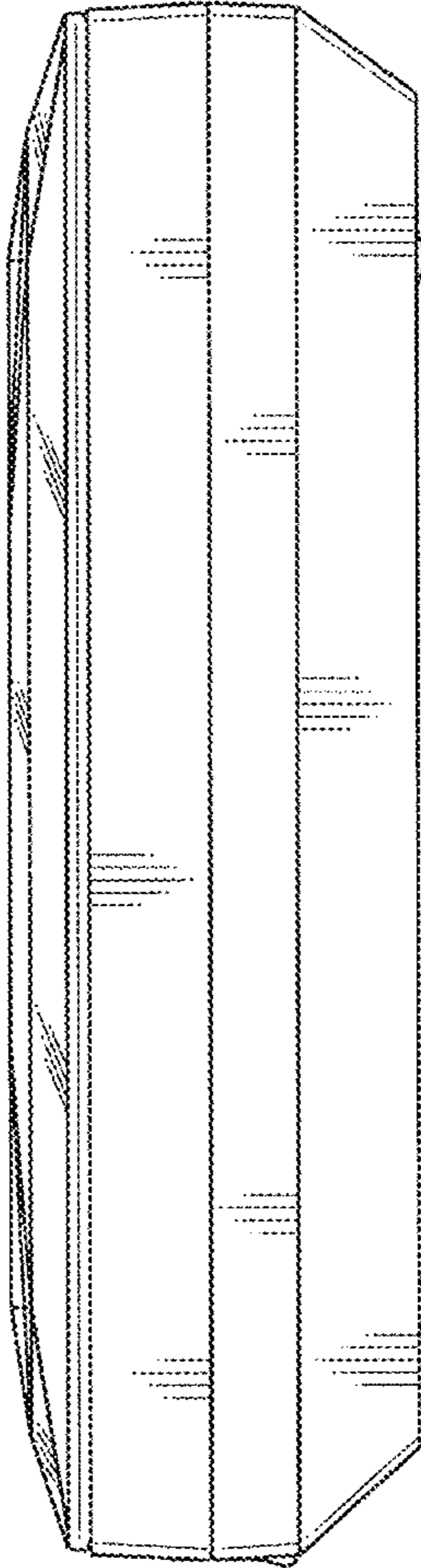


Fig. 5

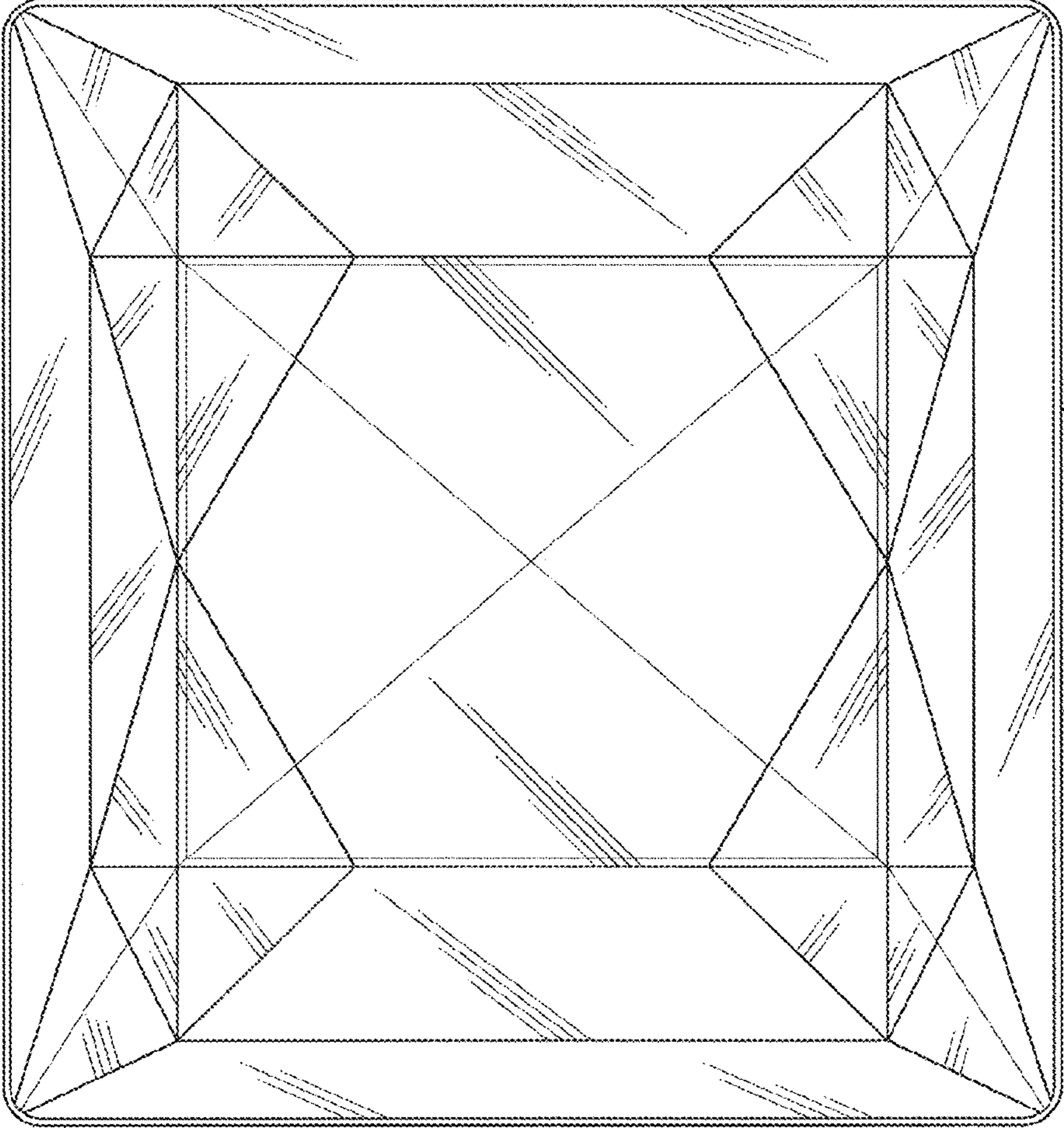


Fig. 6

