



US00D718901S

(12) **United States Design Patent**  
**Parker**

(10) **Patent No.:** **US D718,901 S**

(45) **Date of Patent:** **\*\* \*Dec. 2, 2014**

(54) **COSMETIC COMPACT CASE**

(71) Applicant: **Philippe Olivier Parker**, Zejtun (MT)

(72) Inventor: **Philippe Olivier Parker**, Zejtun (MT)

(\*) Notice: This patent is subject to a terminal disclaimer.

(\*\*) Term: **14 Years**

(21) Appl. No.: **29/452,590**

(22) Filed: **Apr. 18, 2013**

(30) **Foreign Application Priority Data**

Mar. 25, 2013 (EM) ..... 002208231-0006

(51) **LOC (10) Cl.** ..... **28-03**

(52) **U.S. Cl.**  
USPC ..... **D28/82**

(58) **Field of Classification Search**

CPC ..... A45D 33/006; A45D 33/003; A45D 33/04-33/16; A45D 33/025; A45D 33/02; A45D 33/20; A45D 33/22; A45D 33/24; A45D 33/26; A45D 33/28; A45D 33/18; A45D 40/22; A45D 40/222; A45D 40/24; A45D 42/02  
USPC ..... D28/64.1-64.7, 76-84; 206/581, 823; 132/286-318; D9/503-505

See application file for complete search history.

(56) **References Cited**

U.S. PATENT DOCUMENTS

D137,166	S	*	2/1944	Crane	.....	D28/82
D392,773	S	*	3/1998	Litton	.....	D28/82
5,735,297	A	*	4/1998	Litton	.....	132/294
D394,131	S	*	5/1998	Litton	.....	D28/82
D423,724	S	*	4/2000	Crosta	.....	D28/78
D432,723	S	*	10/2000	Crosta	.....	D28/82
D498,024	S	*	11/2004	Leppla et al.	.....	D28/82
D498,678	S	*	11/2004	Ames	.....	D9/529
D642,333	S	*	7/2011	Praster	.....	D28/82

\* cited by examiner

*Primary Examiner* — Jennifer Rivard

(57) **CLAIM**

I, claim the ornamental design for a cosmetic compact case, as shown and described.

**DESCRIPTION**

FIG. 1 is a top plan view of a cosmetic compact case showing my new design.

FIG. 2 is a bottom plan view thereof.

FIG. 3 is a front elevation view thereof.

FIG. 4 is a rear elevation view thereof.

FIG. 5 is a left side elevation view thereof.

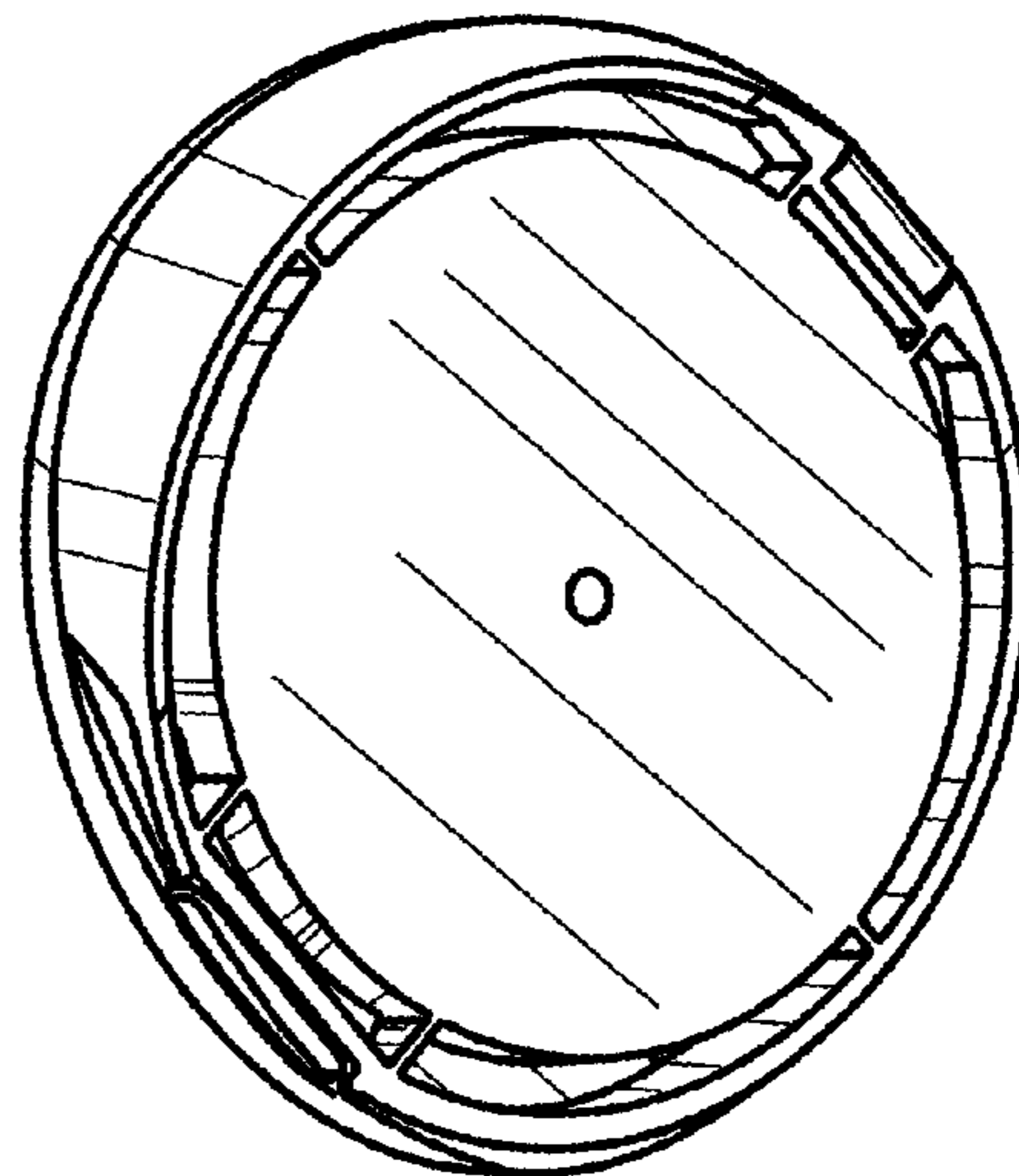
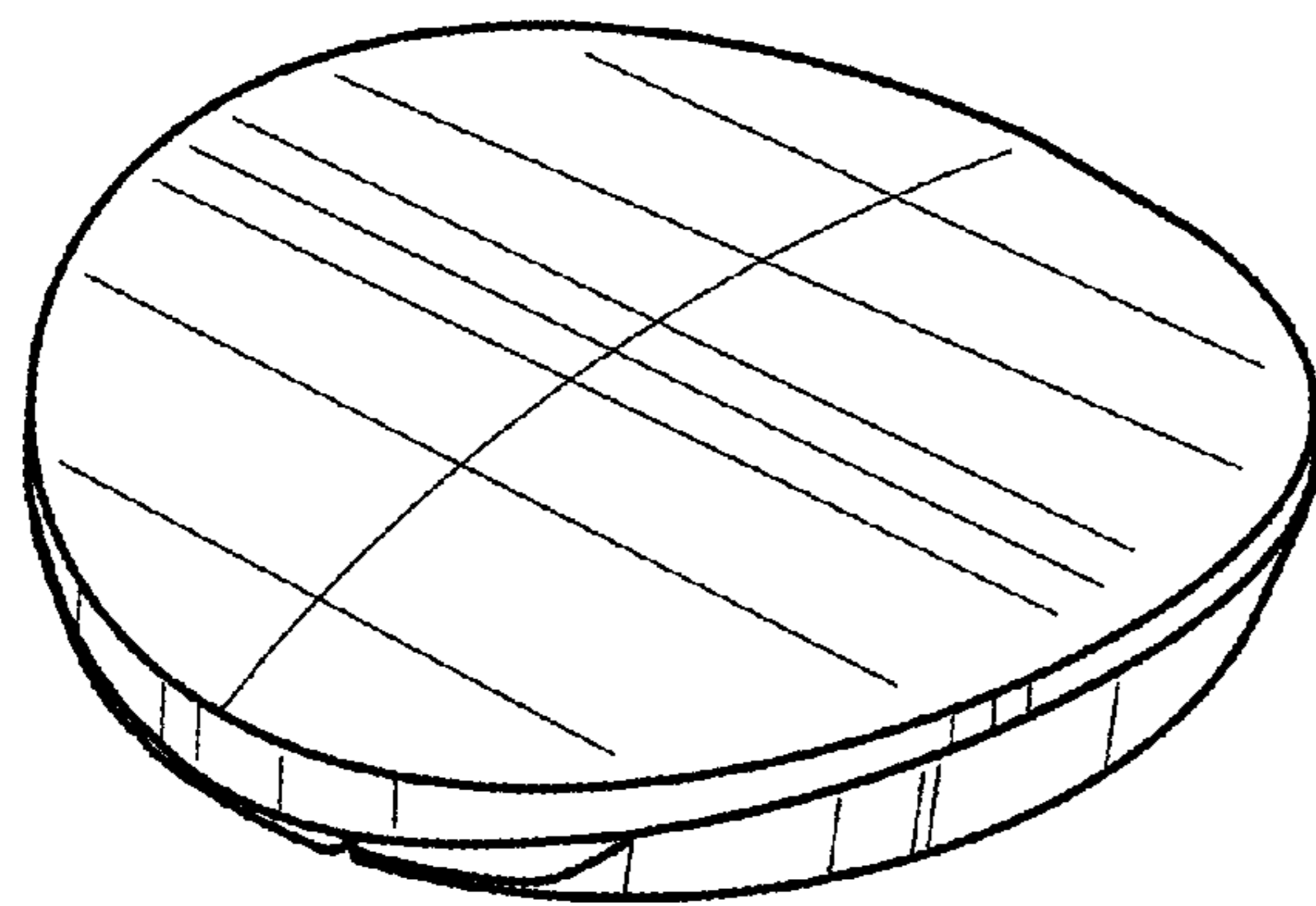
FIG. 6 is a right side elevation view thereof.

FIG. 7 is a perspective top view view thereof; and,

FIG. 8 is a perspective bottom view thereof.

The characteristic feature of my new design resides in the claimed cosmetic compact case can be used to hold cosmetics and could sit on a bureau or in a handbag.

**1 Claim, 1 Drawing Sheet**



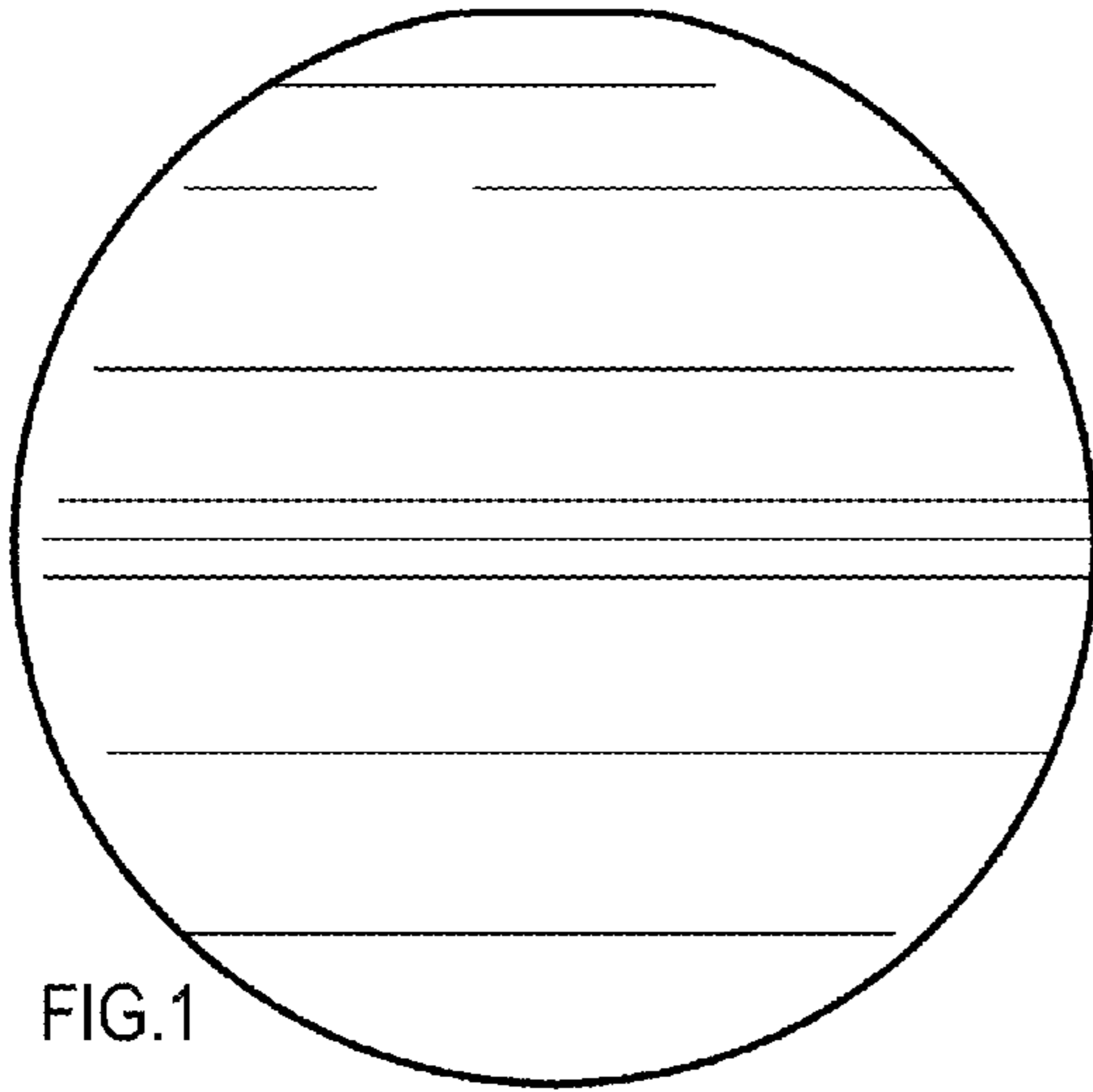


FIG. 1

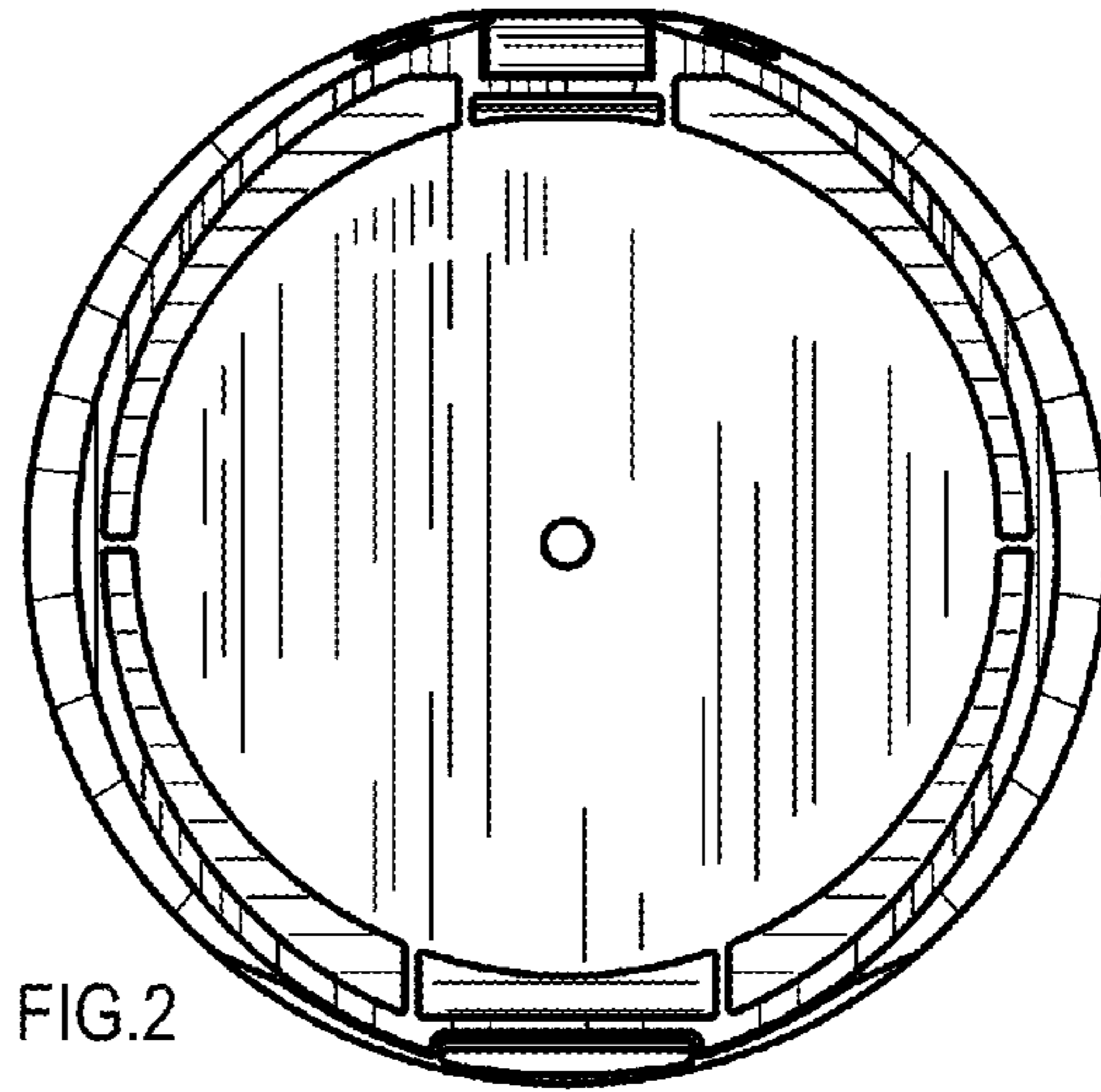


FIG. 2

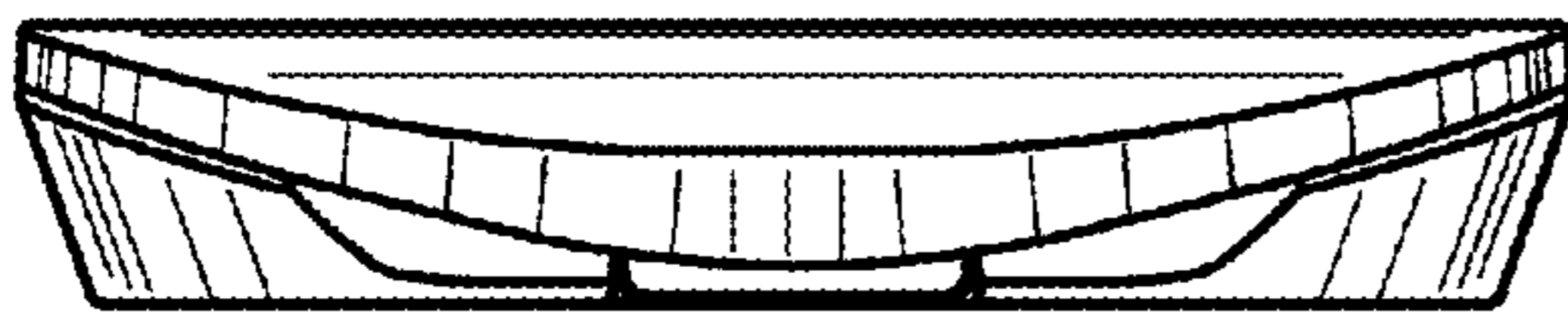


FIG. 3

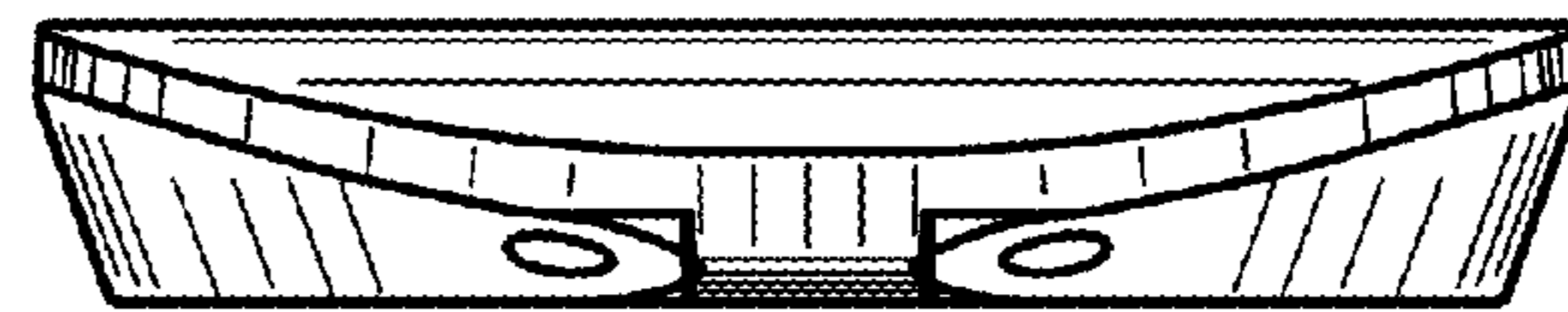


FIG. 4

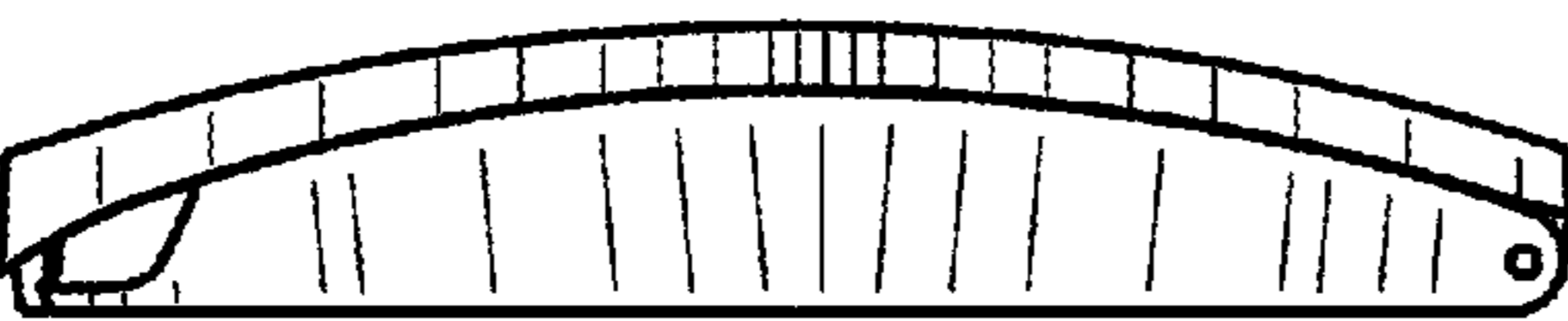


FIG. 5

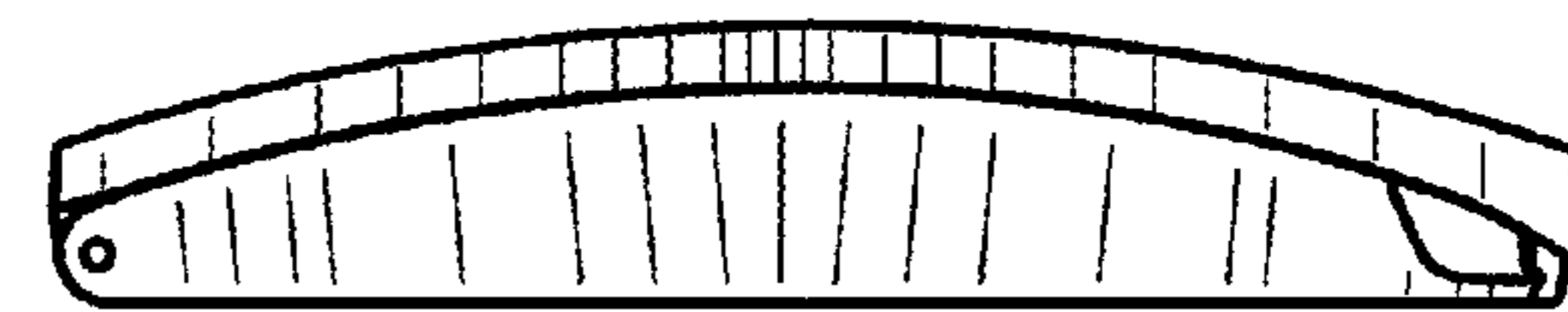


FIG. 6

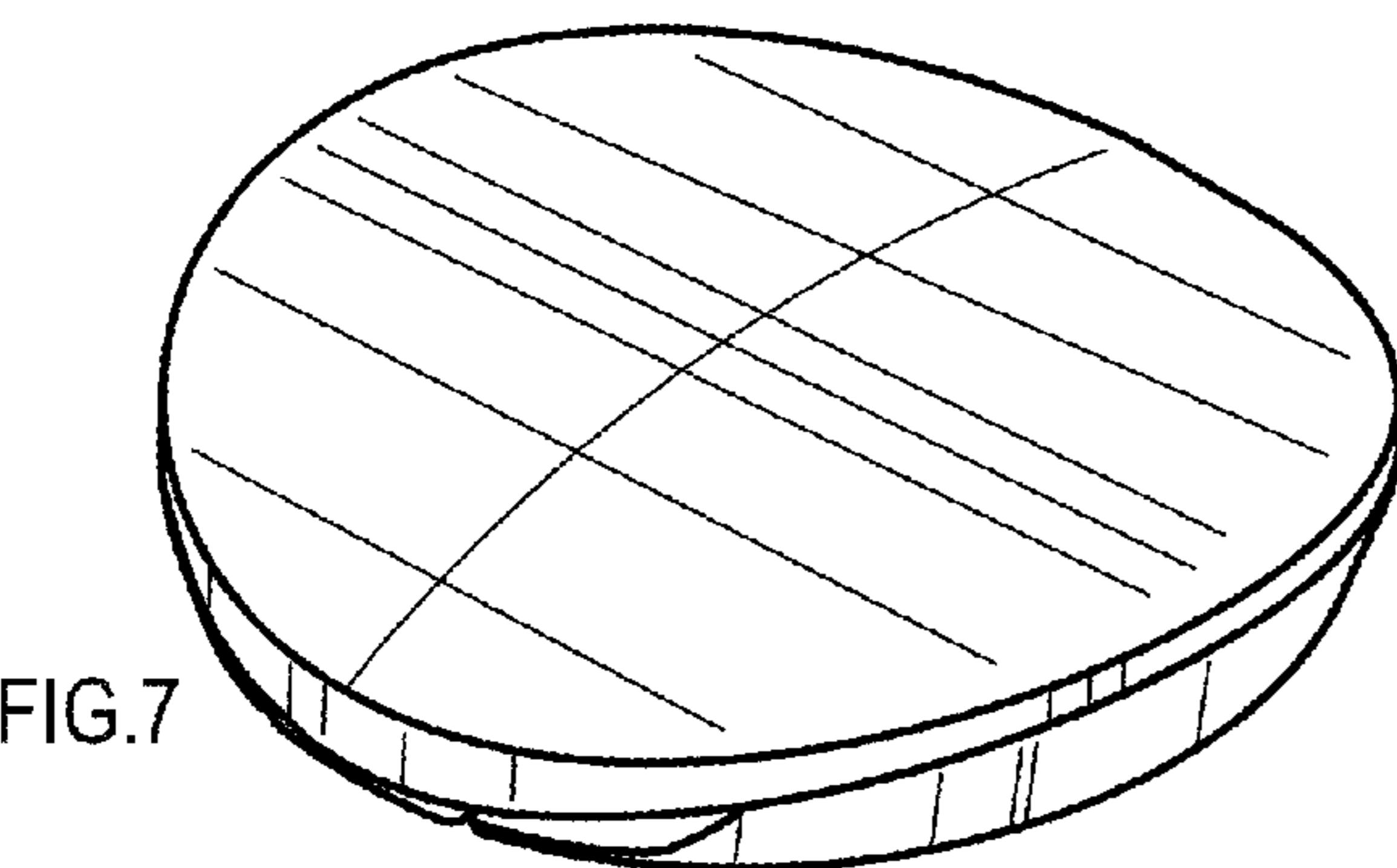


FIG. 7

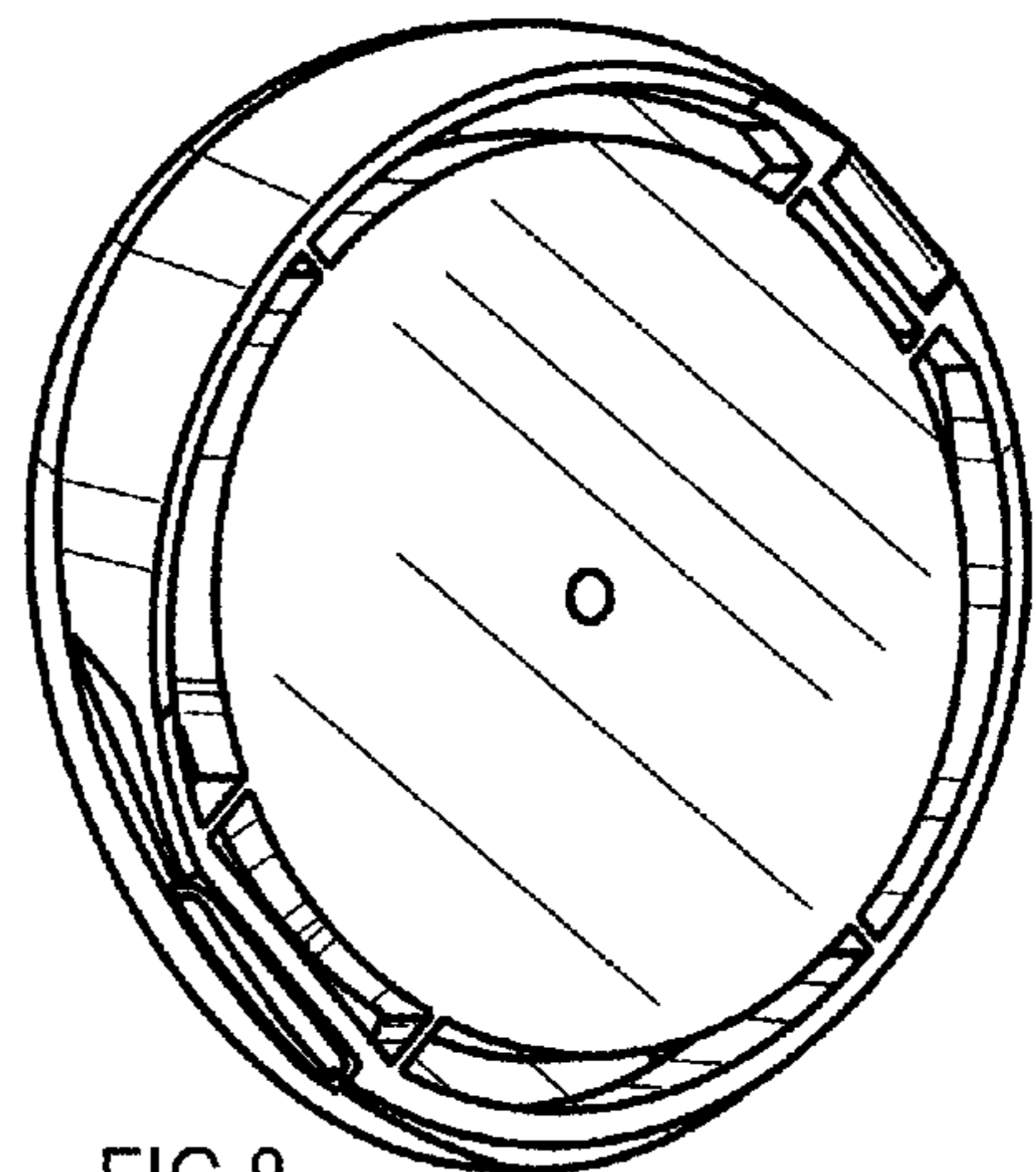


FIG. 8