



US00D718891S

(12) **United States Design Patent**
Sawano et al.

(10) **Patent No.:** **US D718,891 S**
(45) **Date of Patent:** **** Dec. 2, 2014**

(54) **GLOBE FOR A WARNING LIGHT**

(71) Applicant: **Patlite Corporation**, Osaka-shi,
Osaka-fu (JP)

(72) Inventors: **Kaoru Sawano**, Osaka (JP); **Keiko Uemura**, Osaka (JP); **Tetsuya Miyatake**, Osaka (JP)

(73) Assignee: **Patlite Corporation**, Osaka-Fu (JP)

(**) Term: **14 Years**

(21) Appl. No.: **29/446,247**

(22) Filed: **Feb. 21, 2013**

(30) **Foreign Application Priority Data**

Aug. 24, 2012 (JP) 2012-020219

(51) **LOC (10) Cl.** **26-04**

(52) **U.S. Cl.**
USPC **D26/2**

(58) **Field of Classification Search**
USPC D26/1-4; 313/313, 315, 316, 317, 318,
313/493; 315/52, 53, 56, 57, 58

See application file for complete search history.

(56) **References Cited**

U.S. PATENT DOCUMENTS

D392,057 S *	3/1998	Chen	D26/2
D405,201 S *	2/1999	Lodhie	D26/2
D426,899 S *	6/2000	Au Yeng	D26/2
D543,644 S *	5/2007	Bembridge	D26/2
D689,219 S *	9/2013	Zhang	D26/2

* cited by examiner

Primary Examiner — Marcus Jackson

(74) *Attorney, Agent, or Firm* — DLA Piper LLP (US)

(57) **CLAIM**

The ornamental design for a globe for a warning light, as shown and described.

DESCRIPTION

FIG. 1 is a front elevational view of a globe for a warning light showing our new design;

FIG. 2 is a rear elevational view thereof;

FIG. 3 is a left side elevational view thereof;

FIG. 4 is a right side elevational view thereof;

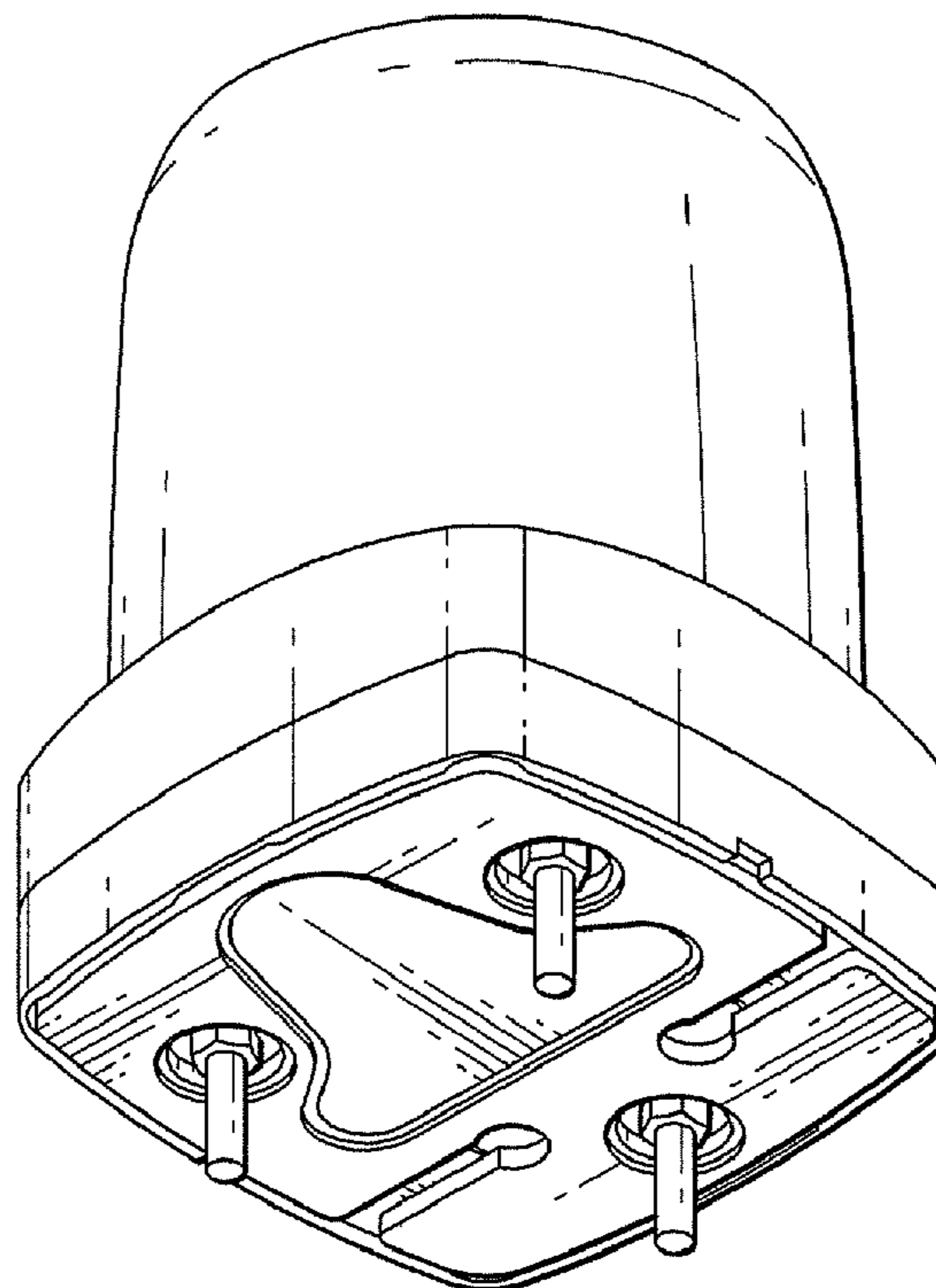
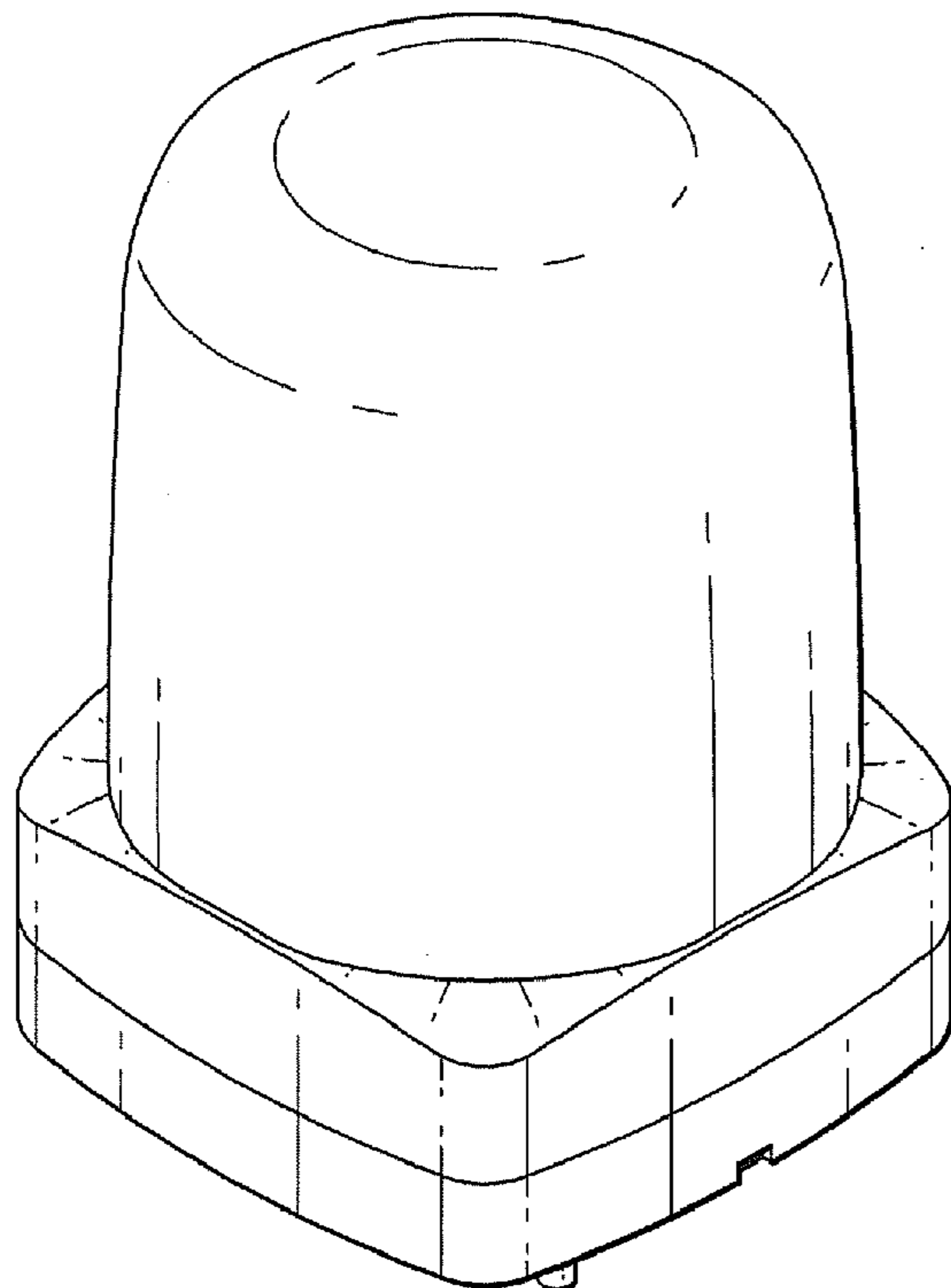
FIG. 5 is a top plan view thereof;

FIG. 6 is a bottom plan view thereof;

FIG. 7 is a perspective view taken from the front, top and right side thereof; and,

FIG. 8 is a perspective view taken from front, bottom and right side thereof.

1 Claim, 4 Drawing Sheets



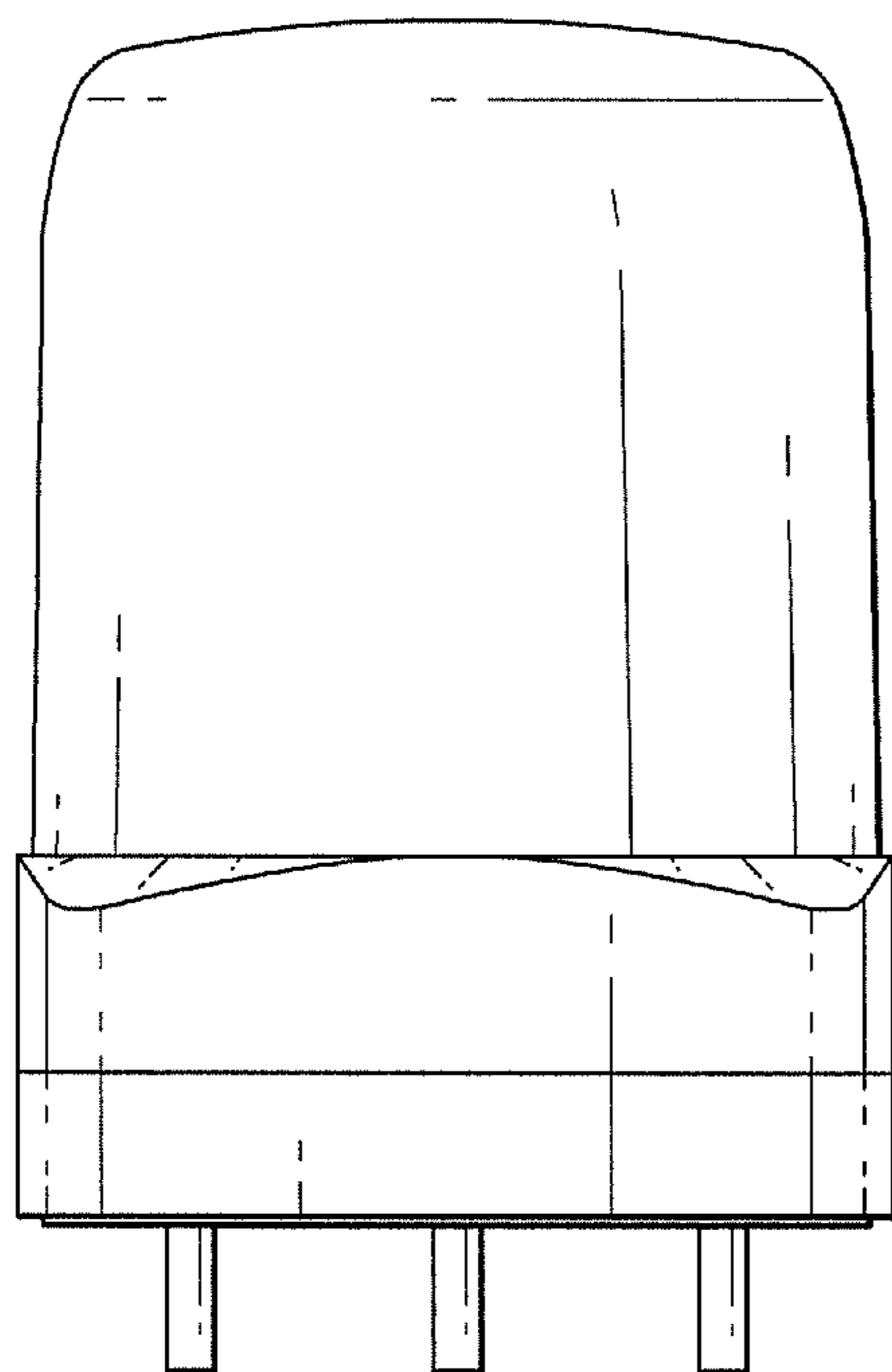


FIG. 1

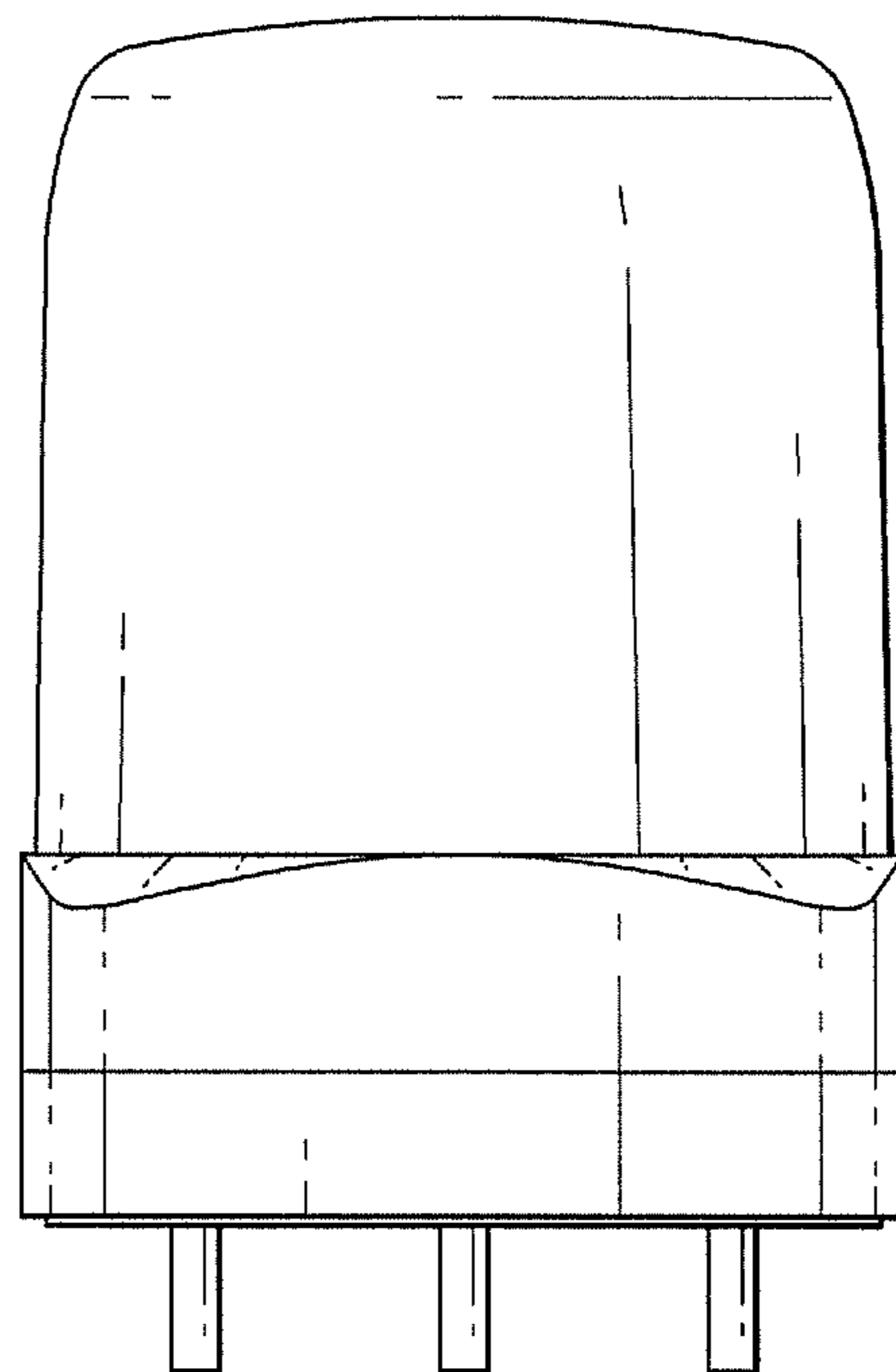


FIG. 2

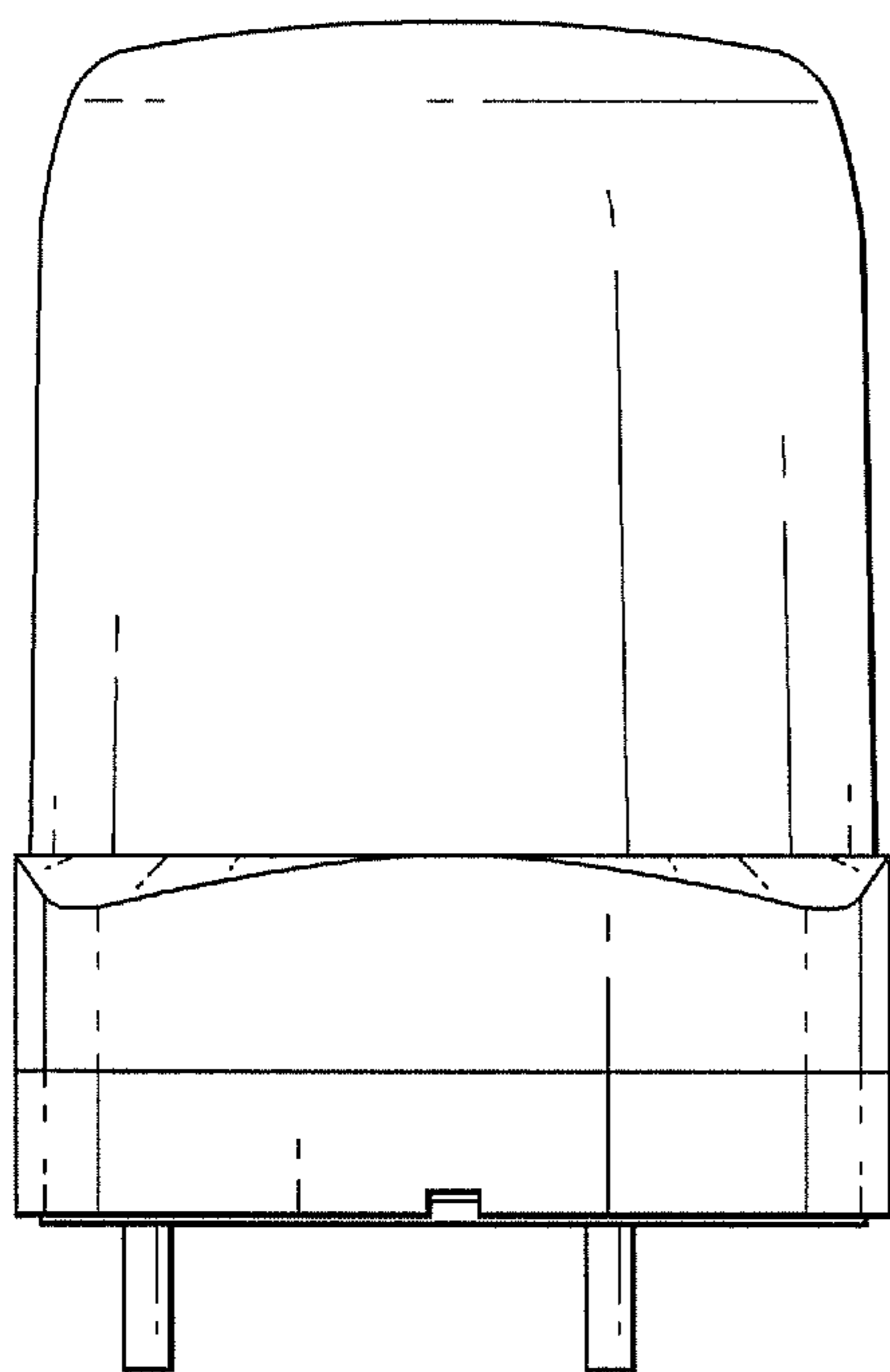


FIG. 3

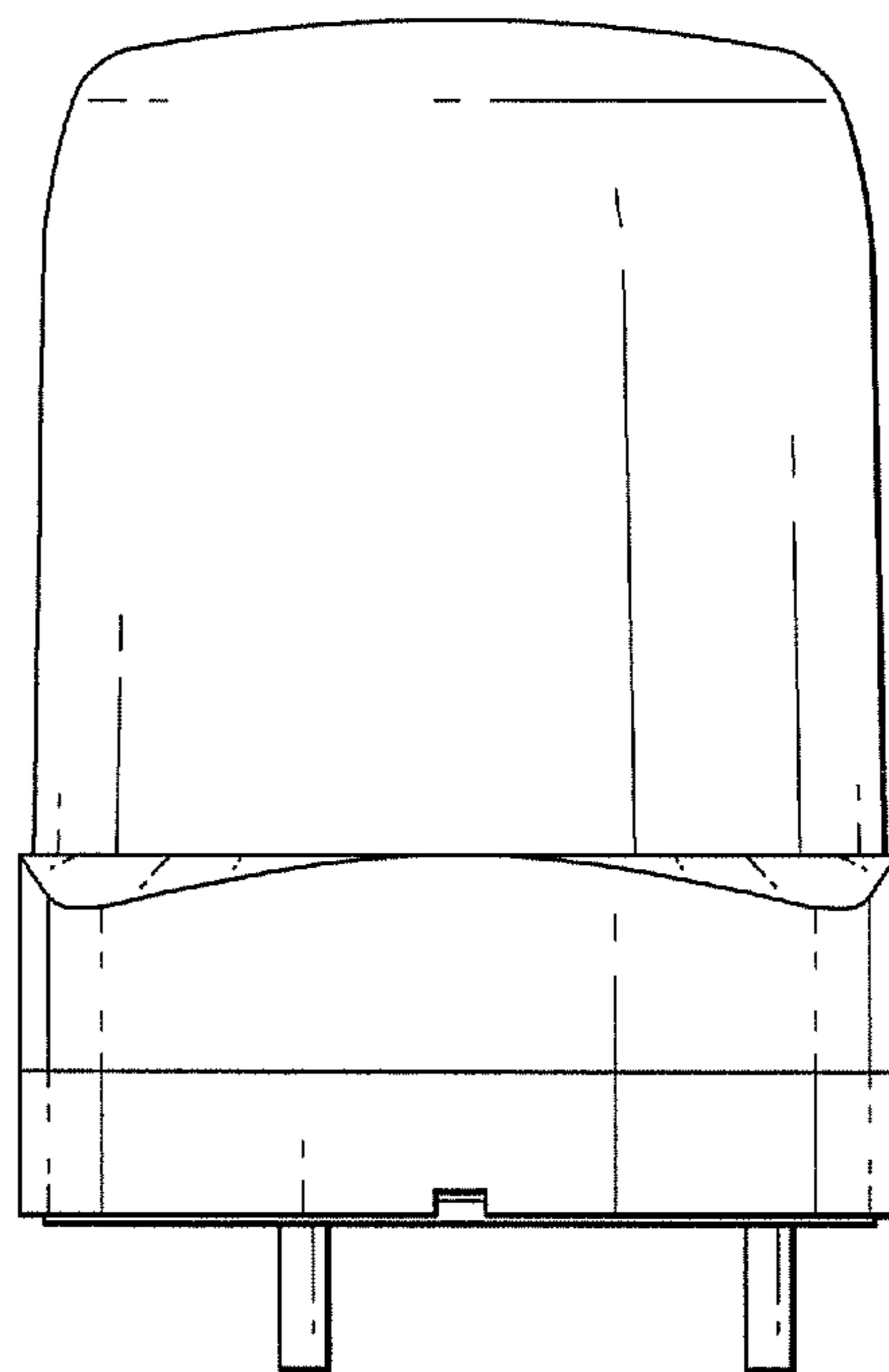


FIG. 4

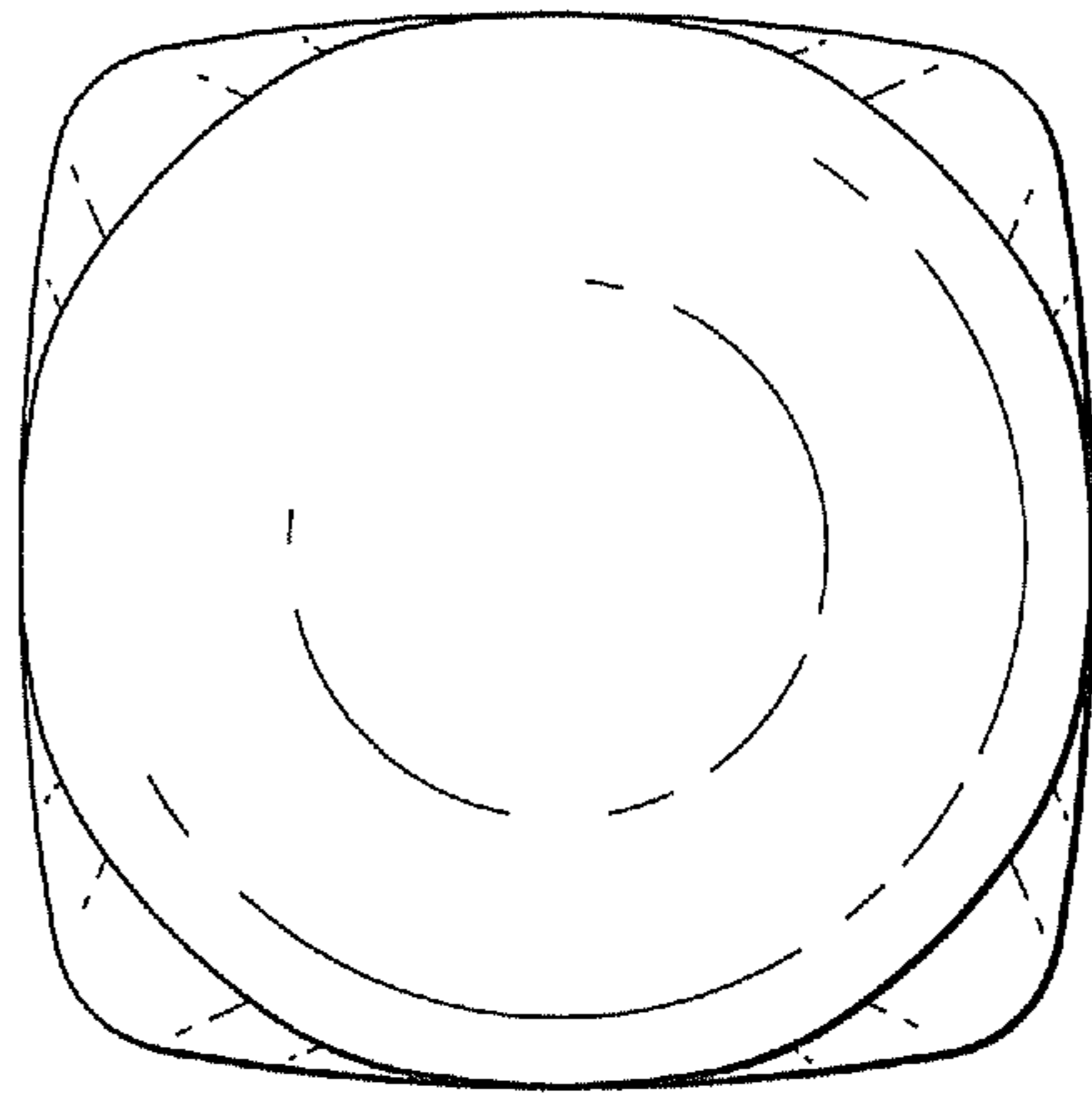


FIG. 5

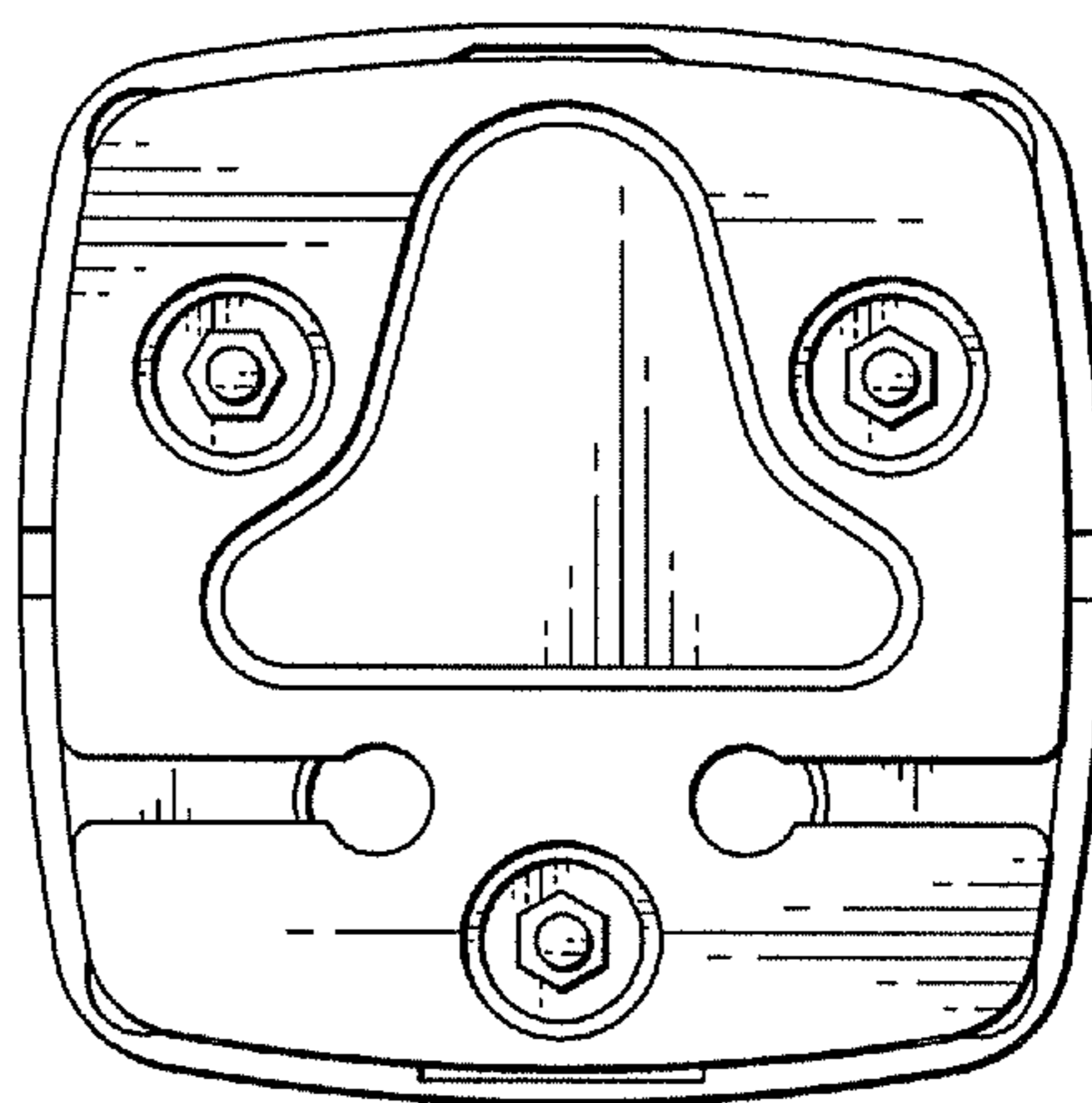


FIG. 6

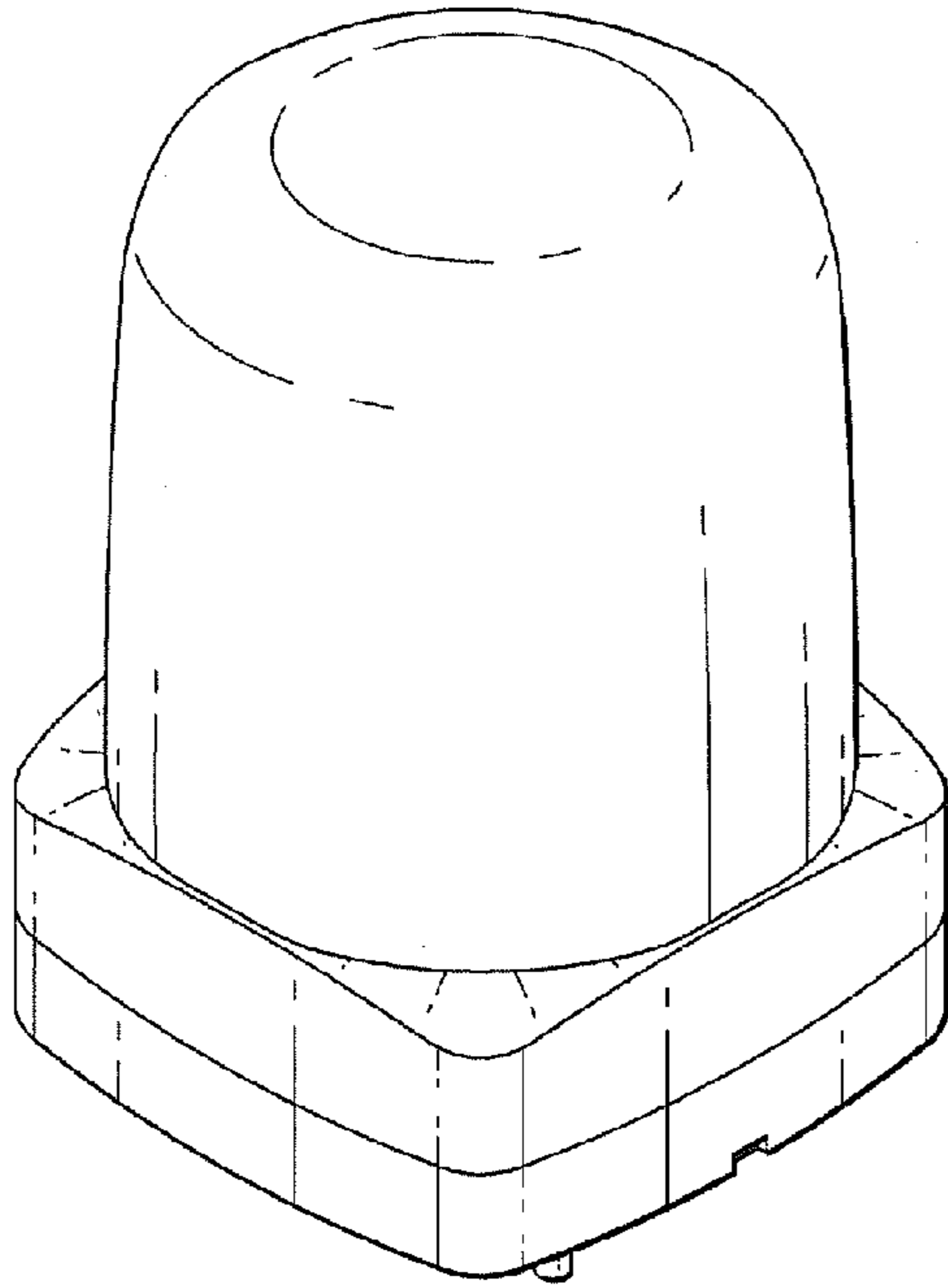


FIG. 7

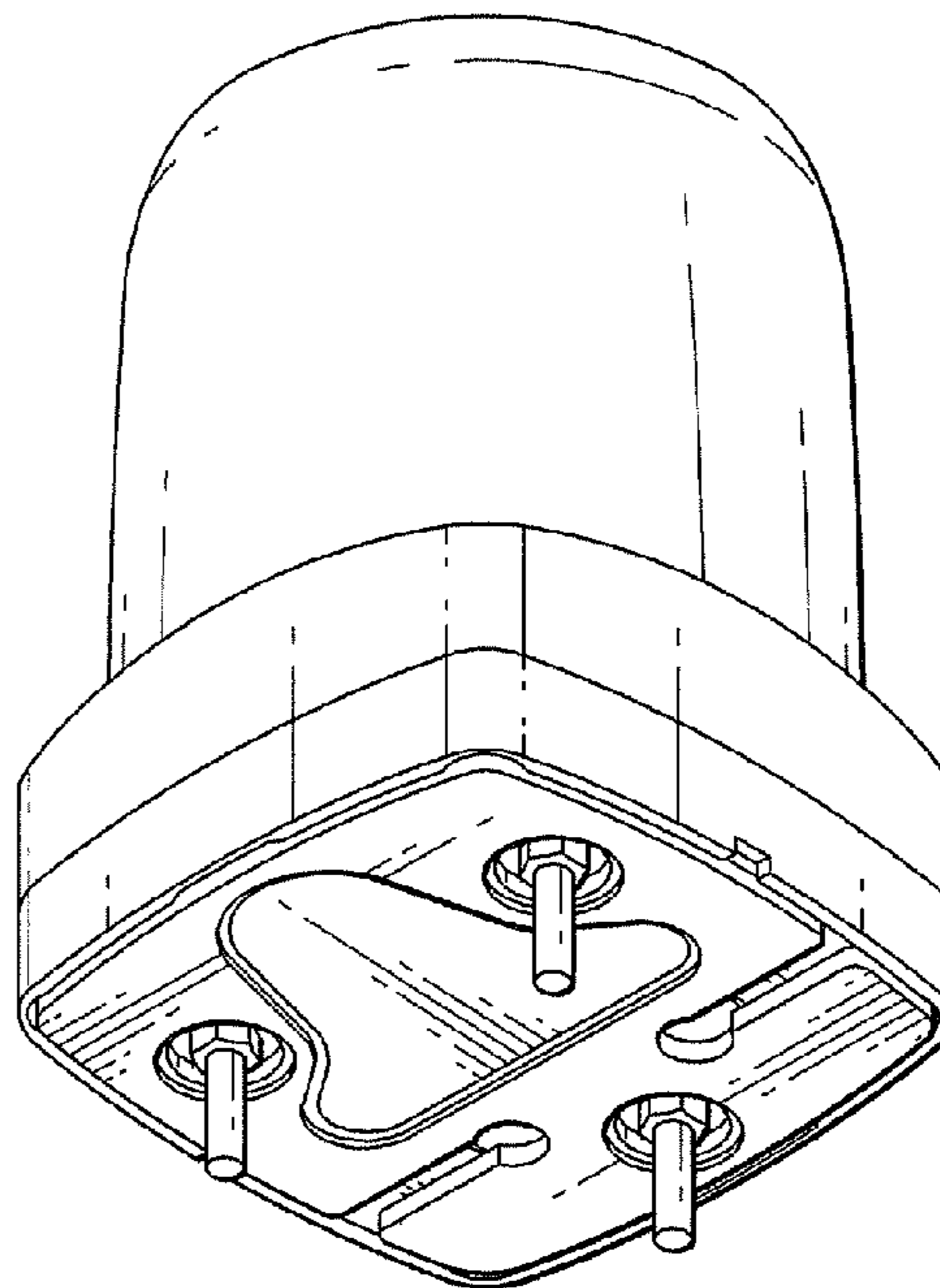


FIG. 8