



US00D718890S

(12) **United States Design Patent**  
**Shibata et al.**

(10) **Patent No.:** **US D718,890 S**

(45) **Date of Patent:** **\*\* Dec. 2, 2014**

(54) **LED LAMP MODULE**

(71) Applicant: **Toki Corporation**, Tokyo (JP)

(72) Inventors: **Koichi Shibata**, Tokyo (JP); **Chen Yue**,  
Shanghai (CN)

(73) Assignee: **Toki Corporation**, Tokyo (JP)

(\*\*) Term: **14 Years**

(21) Appl. No.: **29/466,107**

(22) Filed: **Sep. 4, 2013**

(30) **Foreign Application Priority Data**

Mar. 5, 2013 (JP) ..... 2013-004689

(51) **LOC (10) Cl.** ..... **26-04**

(52) **U.S. Cl.**  
USPC ..... **D26/1; D13/180**

(58) **Field of Classification Search**  
USPC ..... D13/180; D26/1; 257/79, 80, 81, 88,  
257/89, 95, 98, 99, 100, E33.058; 313/313,  
313/315-318, 483, 493, 498, 500; 315/56,  
315/57, 58; 362/555, 800  
See application file for complete search history.

(56) **References Cited**

**U.S. PATENT DOCUMENTS**

D566,059 S \* 4/2008 Tanaka ..... D13/180  
D574,336 S \* 8/2008 Okada et al. .... D13/180  
D594,576 S \* 6/2009 Chan et al. .... D26/1  
D598,400 S \* 8/2009 Bando ..... D13/180  
D621,800 S \* 8/2010 Hsieh ..... D13/180

D622,679 S \* 8/2010 Hsieh ..... D13/180  
D663,048 S \* 7/2012 Chen ..... D26/1  
D703,841 S \* 4/2014 Feng et al. .... D26/1  
D708,360 S \* 7/2014 Shibata et al. .... D26/1

**OTHER PUBLICATIONS**

Tokistar Lighting Inc., "Tapelight Systems", Brochure V1.0, 2011.  
Tokistar Lighting Inc., "Advantage Systems", Brochure V1.0, 2011.  
Design U.S. Appl. No. 29/436,564, filed Nov. 7, 2012.

\* cited by examiner

*Primary Examiner* — Selina Sikder

(74) *Attorney, Agent, or Firm* — Studebaker & Brackett PC

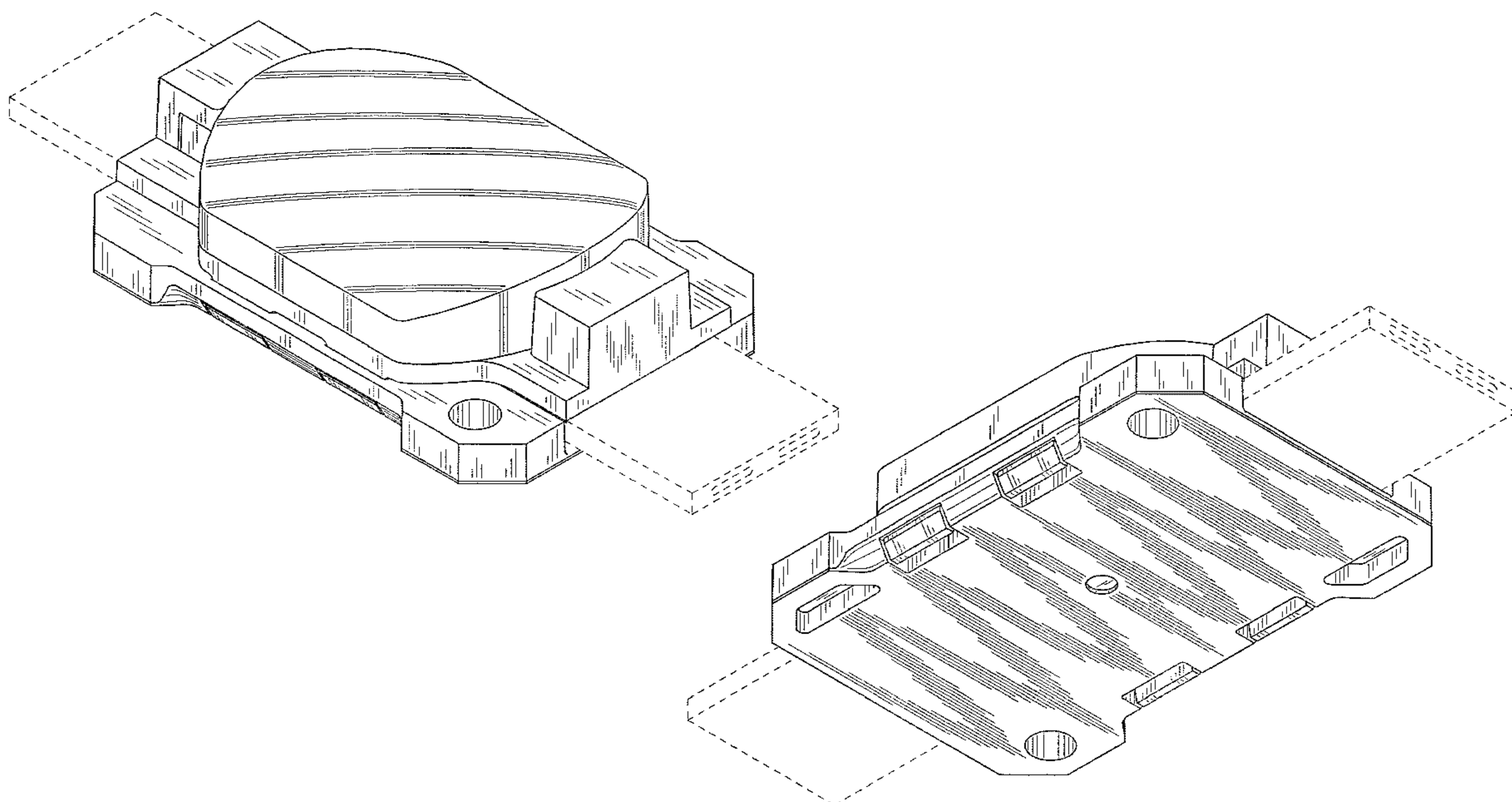
(57) **CLAIM**

The ornamental design for a LED lamp module, as shown and described.

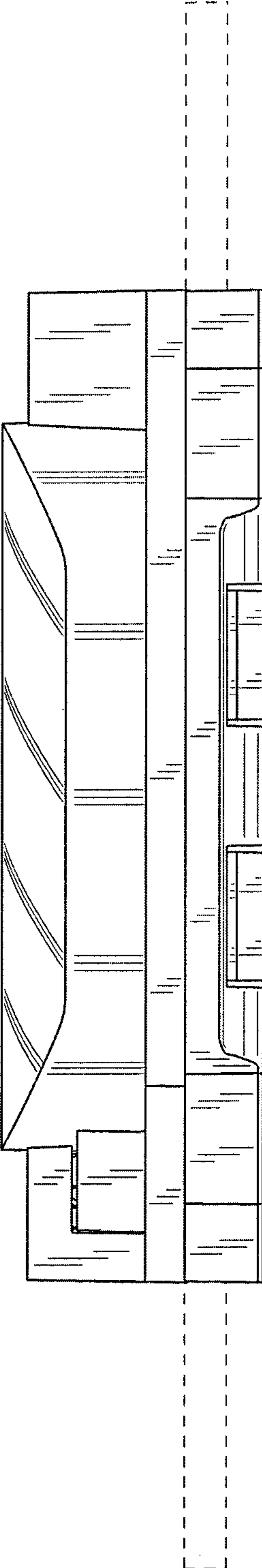
**DESCRIPTION**

FIG. 1 is a front view of a LED lamp module, showing our new design, the rear view thereof being omitted because it is symmetrical to FIG. 1;  
FIG. 2 is a top view of the design;  
FIG. 3 is a bottom view of the design;  
FIG. 4 is a right side view of the design, the left side view being omitted because it is symmetrical to FIG. 4;  
FIG. 5 is a top perspective view of the design; and,  
FIG. 6 is a bottom perspective view of the design.  
The design is the shape and visual features of the LED lamp module. The dashed broken lines are for the purpose of illustrating environment structure of the LED lamp module design and form no part of the claimed design.

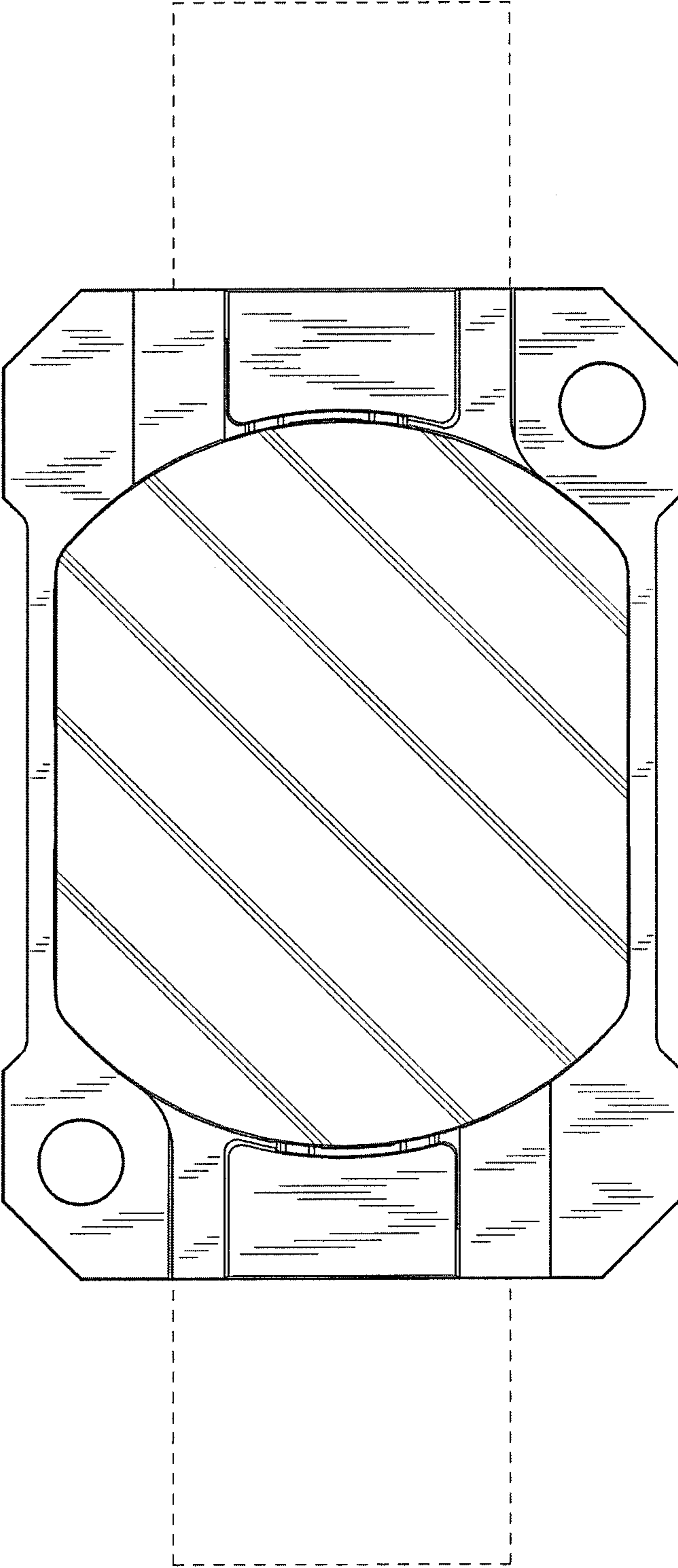
**1 Claim, 6 Drawing Sheets**



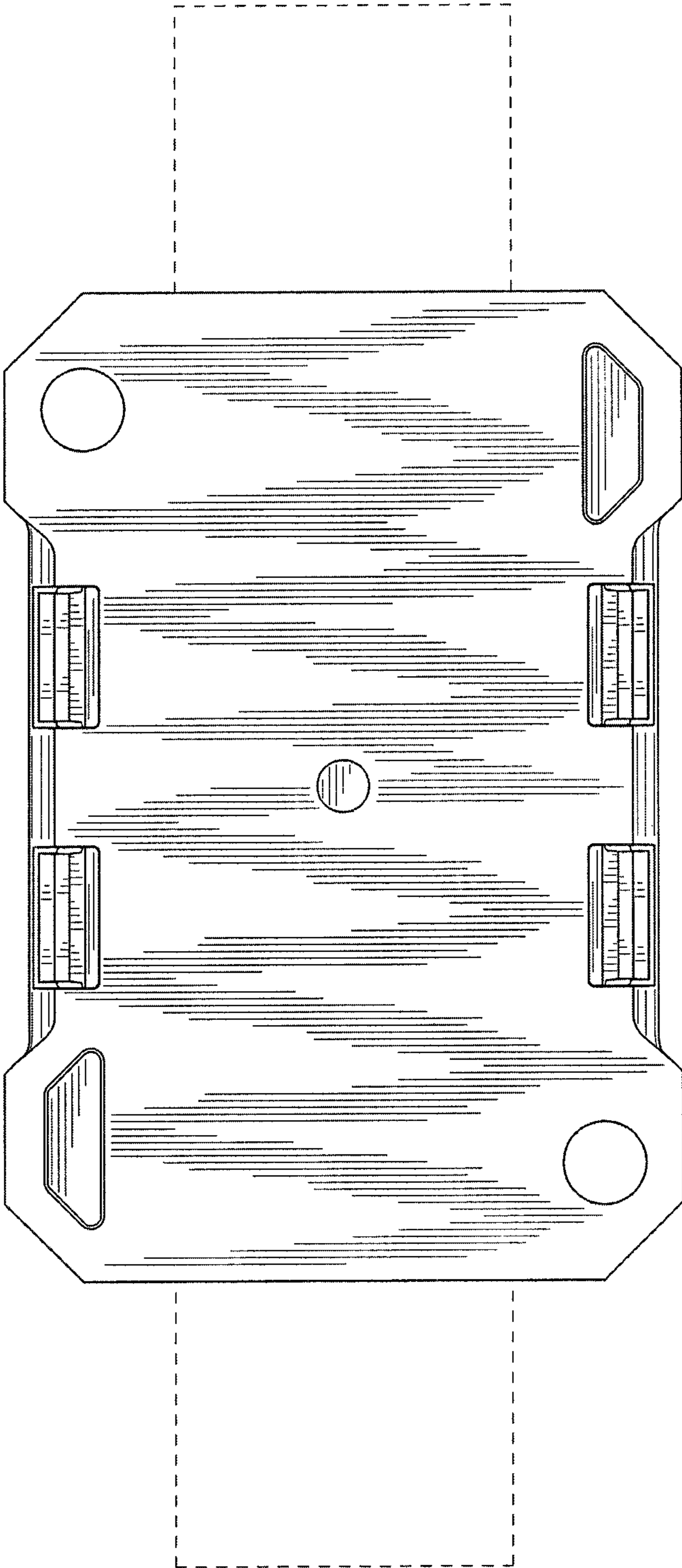
*FIG. 1*



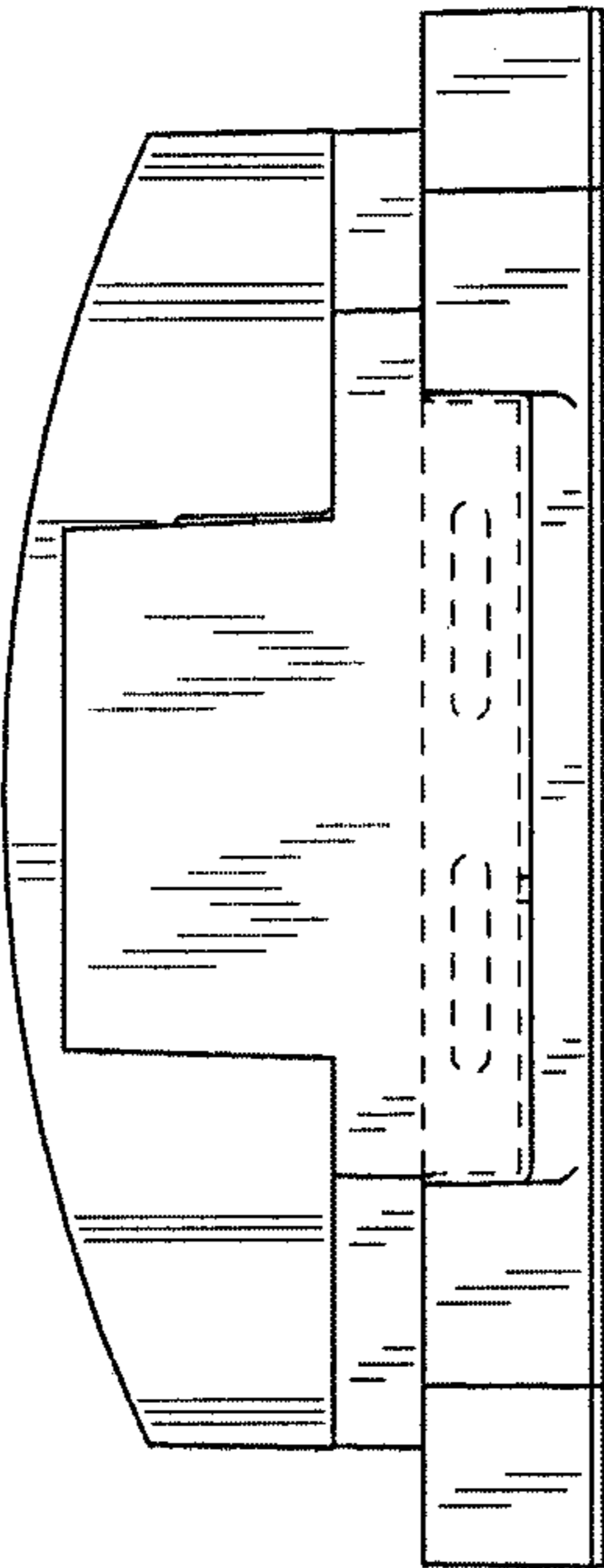
*FIG. 2*



*FIG. 3*

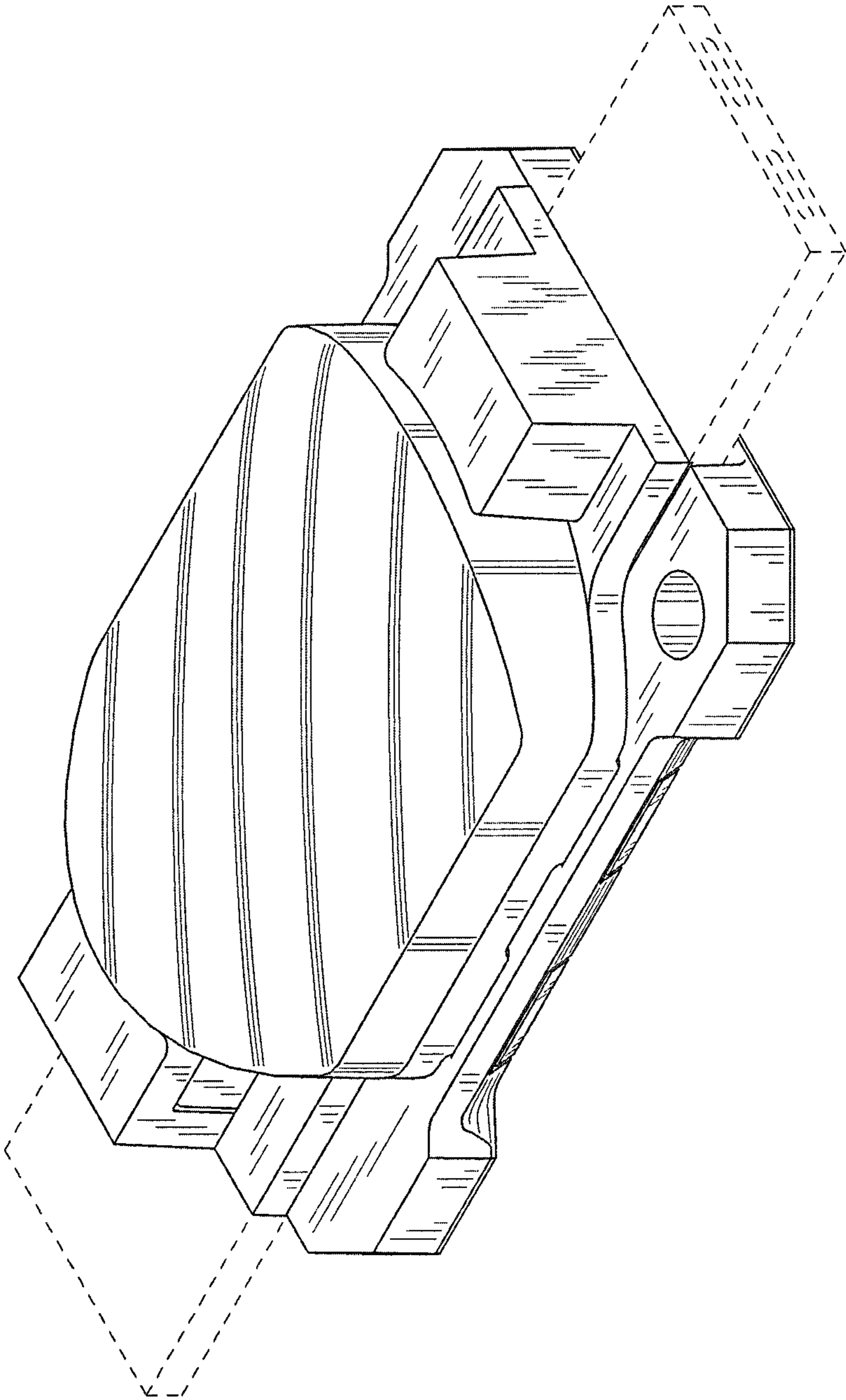


*FIG. 4*





*FIG. 5*



*FIG. 6*

