



US00D718887S

(12) **United States Design Patent**
Derreumaux et al.

(10) **Patent No.:** **US D718,887 S**
(45) **Date of Patent:** **** Dec. 2, 2014**

(54) **BUILDING VERGE**
(71) Applicant: **Onduline SA**, Levallois Perret (FR)
(72) Inventors: **Charles Derreumaux**, Hem (FR); **Melih Kamil**, Istanbul (TR)
(73) Assignee: **Onduline SA**, Levallois Perret (FR)
(**) Term: **14 Years**
(21) Appl. No.: **29/452,362**
(22) Filed: **Apr. 15, 2013**

(30) **Foreign Application Priority Data**
Oct. 16, 2012 (EP) 002119305-0006
(51) **LOC (10) Cl.** **25-01**
(52) **U.S. Cl.**
USPC **D25/141**
(58) **Field of Classification Search**
USPC D25/139, 140, 141; 52/57, 43, 41, 44,
52/56, 50, 698, 96, 92.3, 198; 428/43;
427/186
See application file for complete search history.

(56) **References Cited**
U.S. PATENT DOCUMENTS
1,103,085 A * 7/1914 Russell 52/56
1,755,412 A * 4/1930 Schmieder 52/277

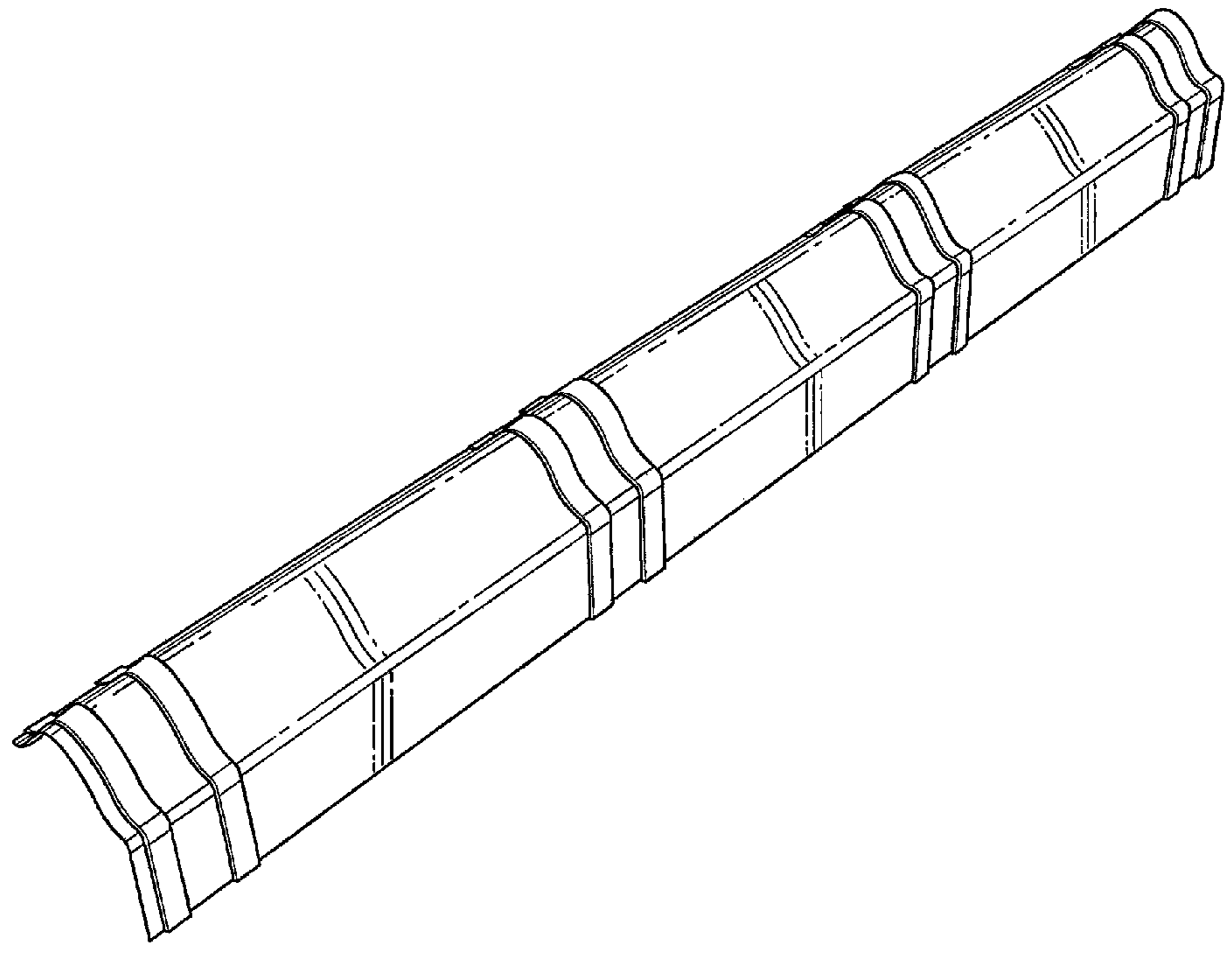
2,984,945 A * 5/1961 Campbell 52/478
3,660,955 A * 5/1972 Simon 52/420
D253,735 S * 12/1979 Furley D25/140
4,233,786 A * 11/1980 Hildreth 52/94
D275,325 S * 8/1984 Gustavsson D25/140
5,094,058 A * 3/1992 Slocum 52/533
D443,078 S * 5/2001 Wilson D25/141
D473,327 S * 4/2003 Lynch D25/141
6,845,590 B1 * 1/2005 Mills, Jr. 52/60

* cited by examiner
Primary Examiner — Doris Clark
(74) *Attorney, Agent, or Firm* — Gordon Rees Scully
Mansukhani LLP

(57) **CLAIM**
We claim the ornamental design for a building verge, as shown and described.

DESCRIPTION
FIG. 1 is a front perspective view of the claimed building verge, showing our new design;
FIG. 2 is a top plan view thereof;
FIG. 3 is a bottom plan view thereof;
FIG. 4 is a right side elevation view thereof;
FIG. 5 is a left side elevation view thereof;
FIG. 6 is a rear view thereof; and,
FIG. 7 is a front view thereof.

1 Claim, 4 Drawing Sheets



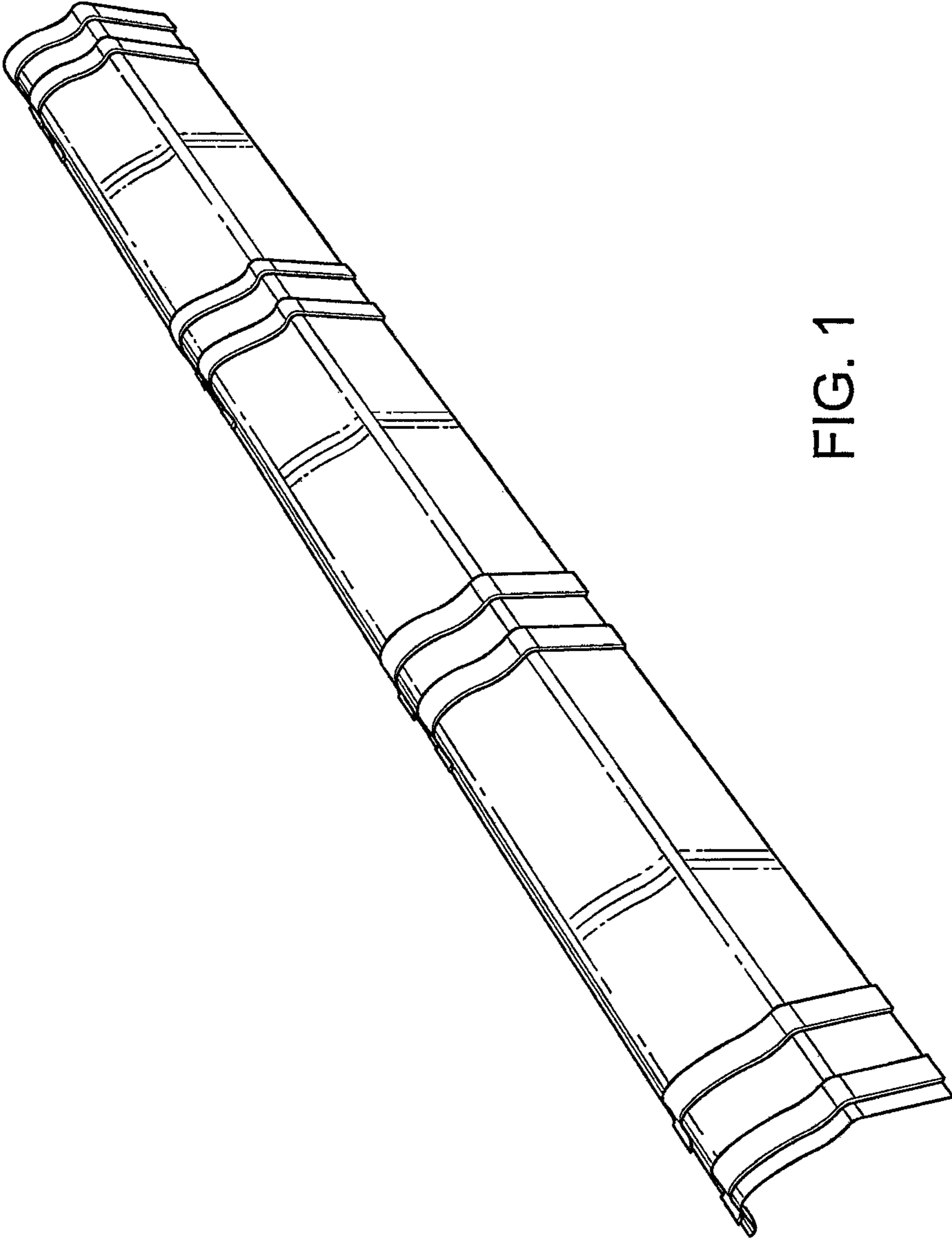


FIG. 1

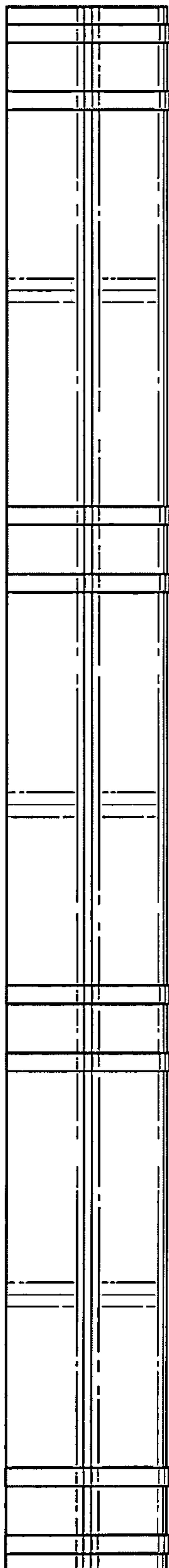


FIG. 2

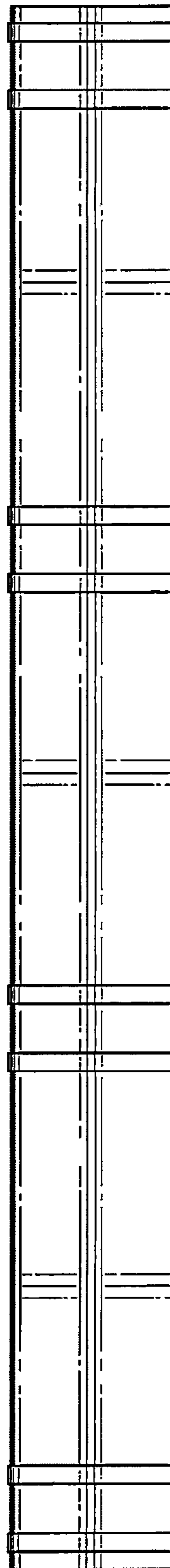


FIG. 3

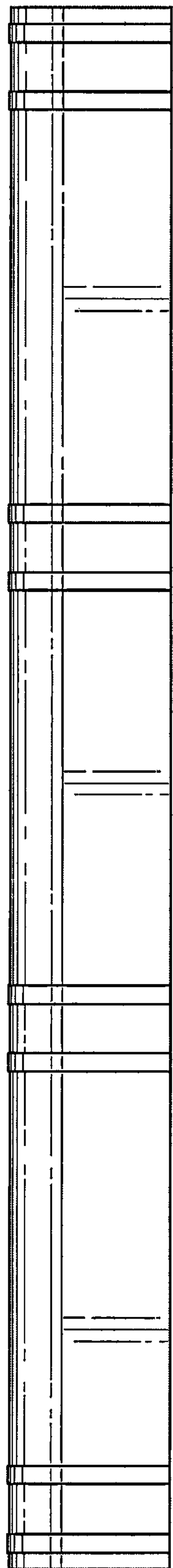


FIG. 4

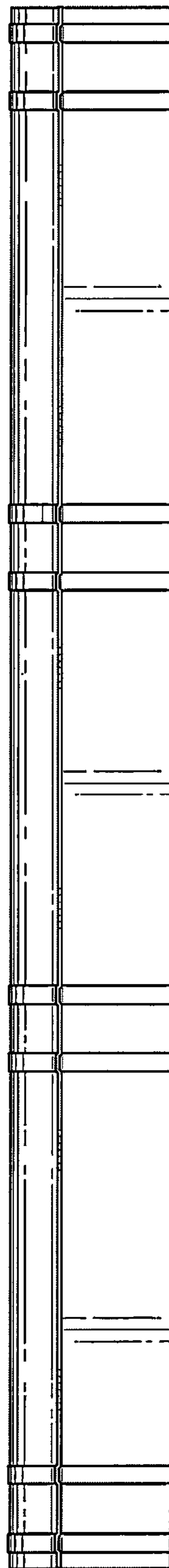


FIG. 5

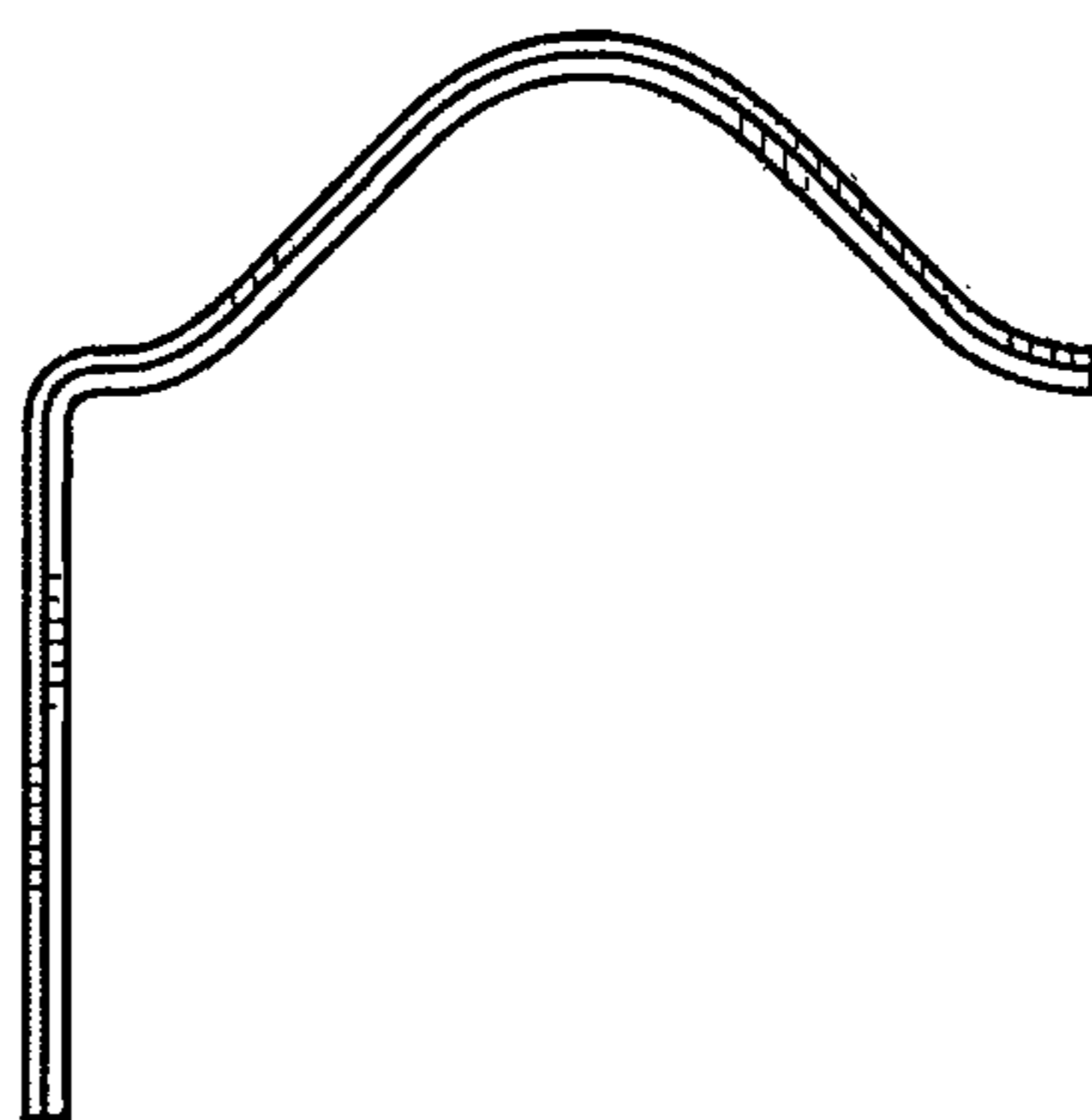


FIG. 6

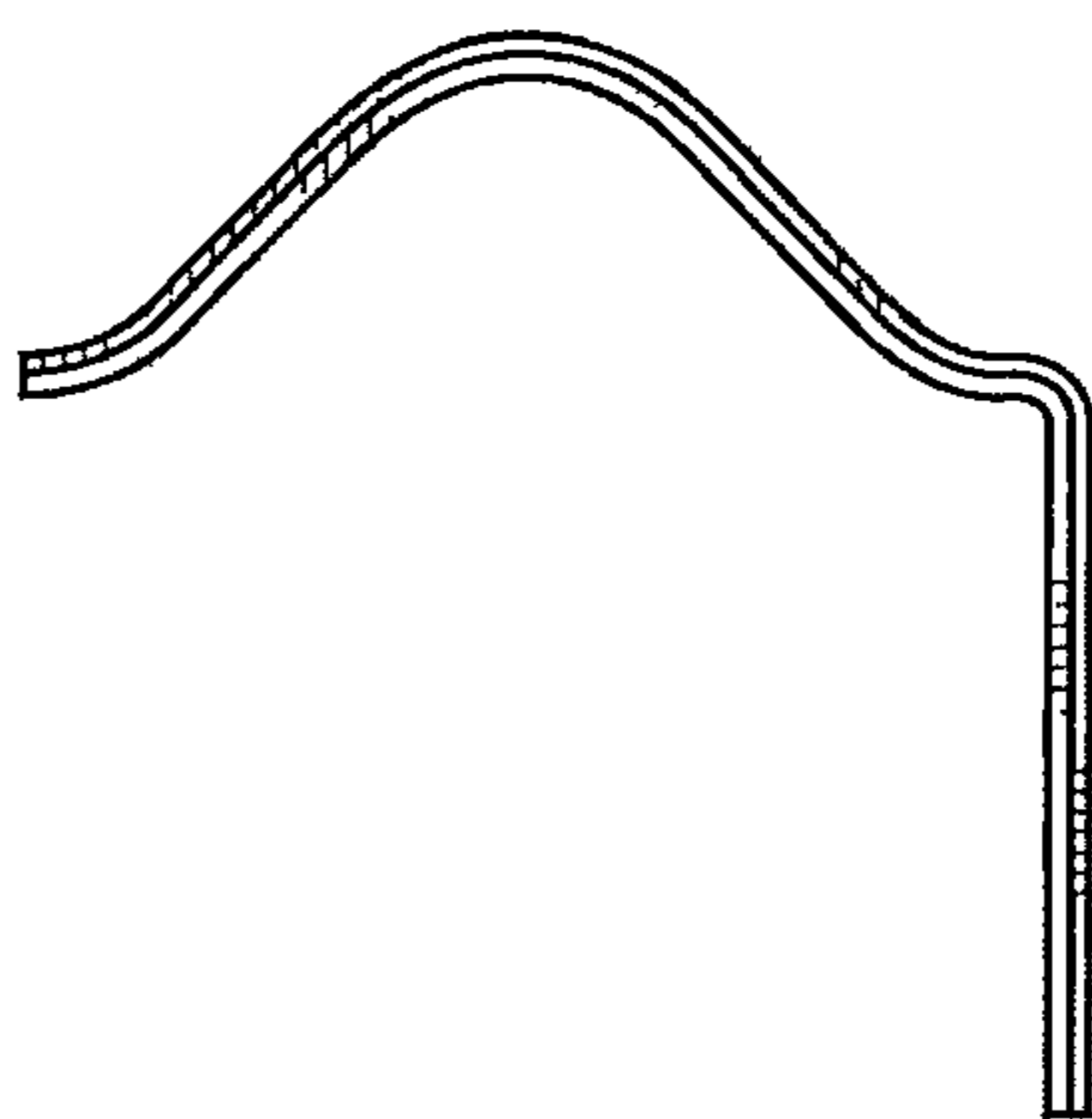


FIG. 7