



US00D718886S

(12) **United States Design Patent**
Derraumaux et al.

(10) **Patent No.:** **US D718,886 S**
(45) **Date of Patent:** **** Dec. 2, 2014**

(54) **BUILDING RIDGE**
(71) Applicant: **Onduline SA**, Levallois Perret (FR)
(72) Inventors: **Charles Derraumaux**, Hem (FR);
Melih Kamil, Istanbul (TR)
(73) Assignee: **Onduline SA**, Levallois Perret (FR)
(**) Term: **14 Years**

D240,274 S *	6/1976	Markos	D25/140
D253,735 S *	12/1979	Furley	D25/140
4,233,786 A *	11/1980	Hildreth	52/94
4,322,924 A *	4/1982	Cooper	52/57
4,420,913 A *	12/1983	Long et al.	52/57
D275,325 S *	8/1984	Gustavsson	D25/140
5,094,058 A *	3/1992	Slocum	52/533
D443,078 S *	5/2001	Wilson	D25/141
D452,918 S *	1/2002	Ohanesian	D25/139
D473,327 S *	4/2003	Lynch	D25/141
6,845,590 B1 *	1/2005	Mills, Jr.	52/60
7,774,990 B1 *	8/2010	Castellanos	52/57

(21) Appl. No.: **29/452,358**

* cited by examiner

(22) Filed: **Apr. 15, 2013**

Primary Examiner — Doris Clark

(30) **Foreign Application Priority Data**

(74) *Attorney, Agent, or Firm* — Gordon Rees Scully
Mansukhani LLP

Oct. 16, 2012 (EP) 002119305-0004

(51) **LOC (10) Cl.** **25-01**

(52) **U.S. Cl.**
USPC **D25/141**

(58) **Field of Classification Search**
USPC D25/139, 140, 141; 52/57, 43, 41, 44,
52/56, 50, 698, 96, 92.3, 198; 428/43;
427/186
See application file for complete search history.

(56) **References Cited**

U.S. PATENT DOCUMENTS

1,103,085 A *	7/1914	Russell	52/56
1,755,412 A *	4/1930	Schmieder	52/277
2,984,945 A *	5/1961	Campbell	52/478
3,660,955 A *	5/1972	Simon	52/420

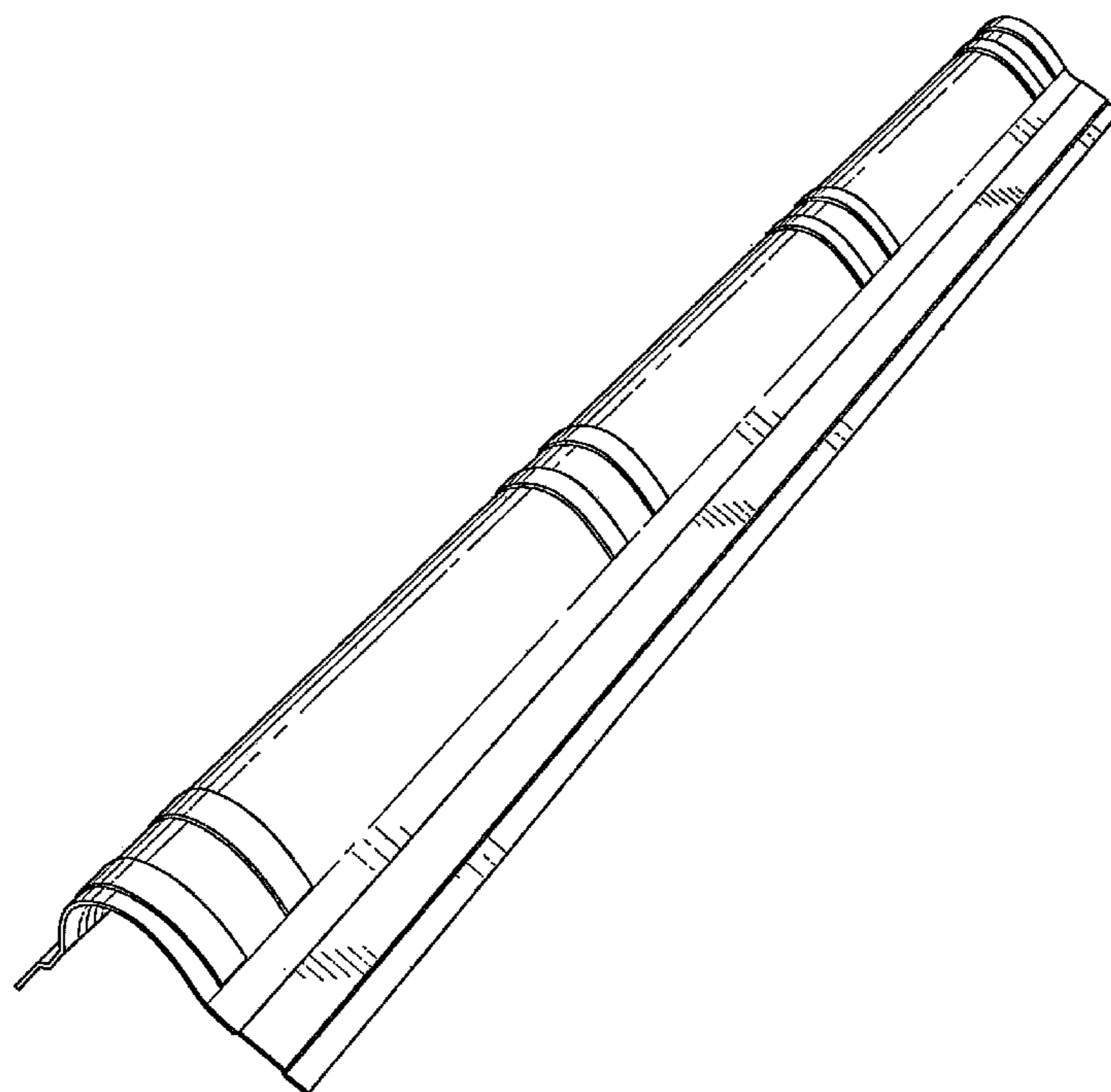
(57) **CLAIM**

We claim the ornamental design for a building ridge, as shown and described.

DESCRIPTION

FIG. 1 is a front perspective view of the claimed building ridge, showing our new design;
FIG. 2 is a top plan view thereof;
FIG. 3 is a bottom plan view thereof;
FIG. 4 is a left side elevation view thereof;
FIG. 5 is a right side elevation view thereof;
FIG. 6 is a front view thereof; and,
FIG. 7 is a rear view thereof.

1 Claim, 4 Drawing Sheets



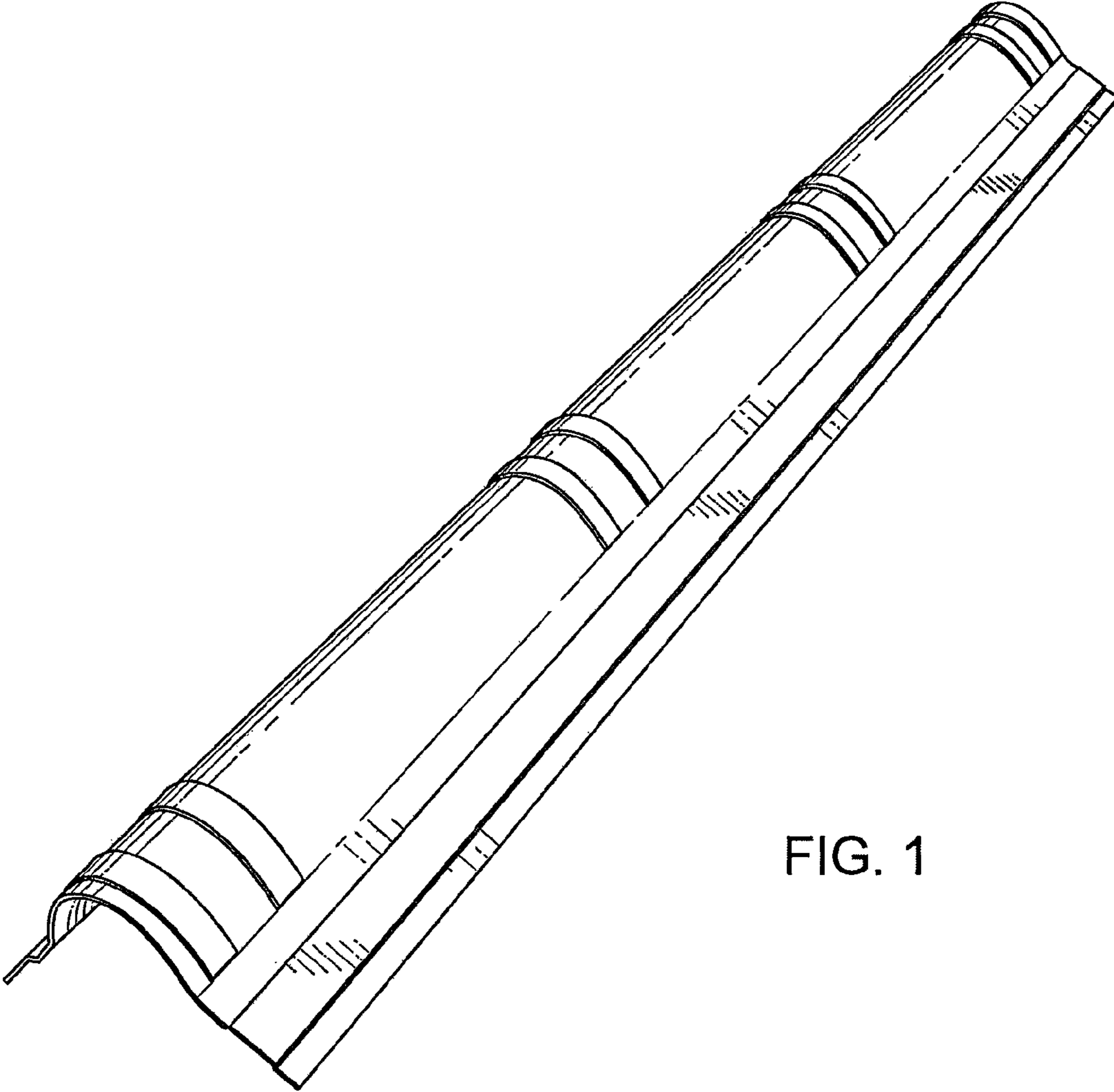


FIG. 1

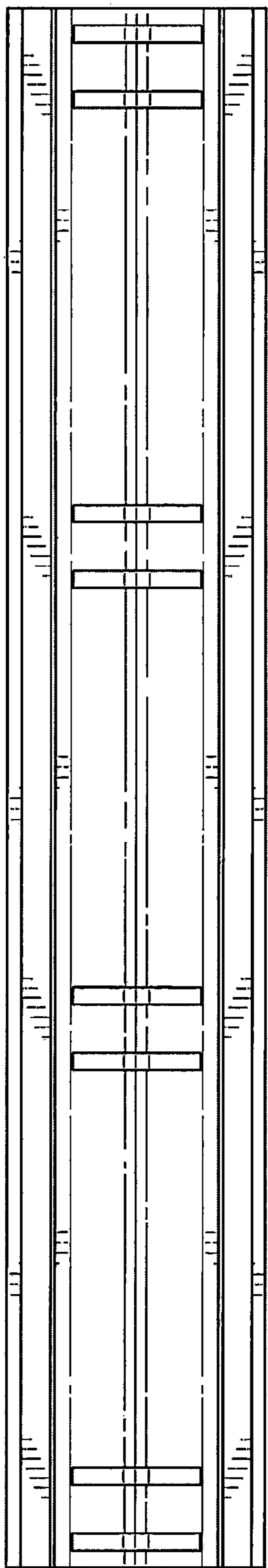


FIG. 2

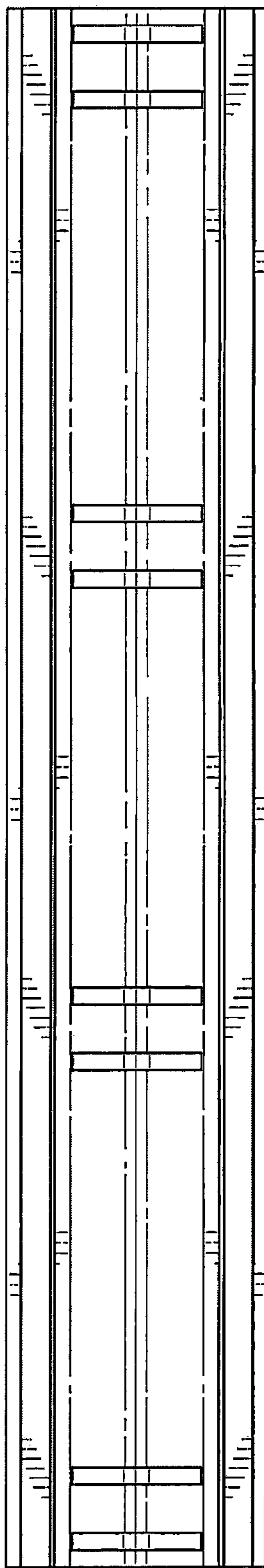


FIG. 3

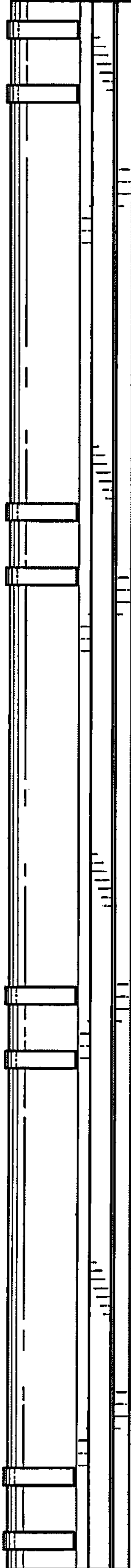


FIG. 4

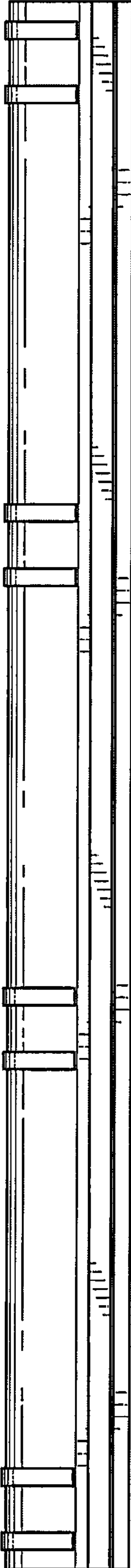


FIG. 5

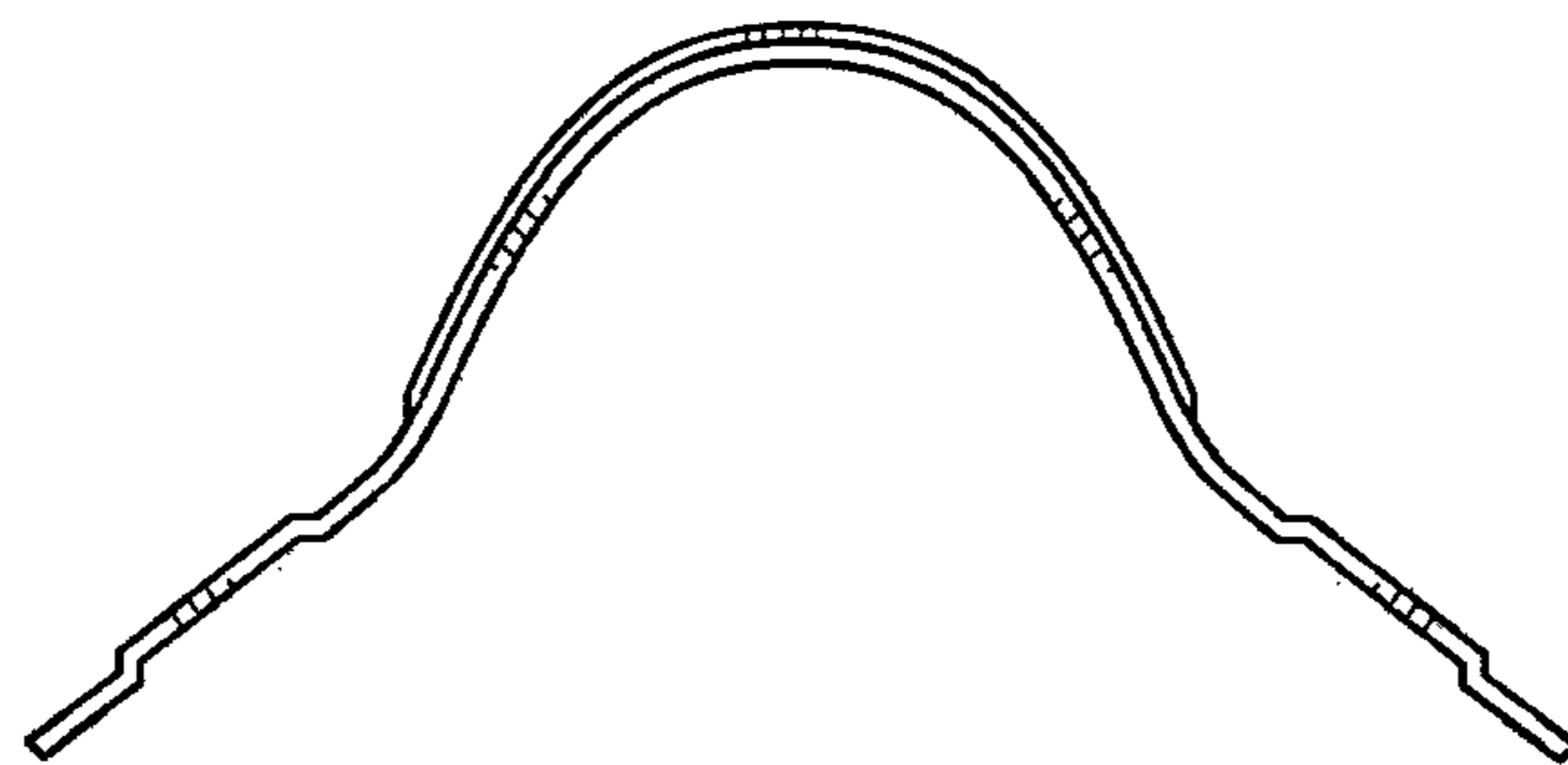


FIG. 6

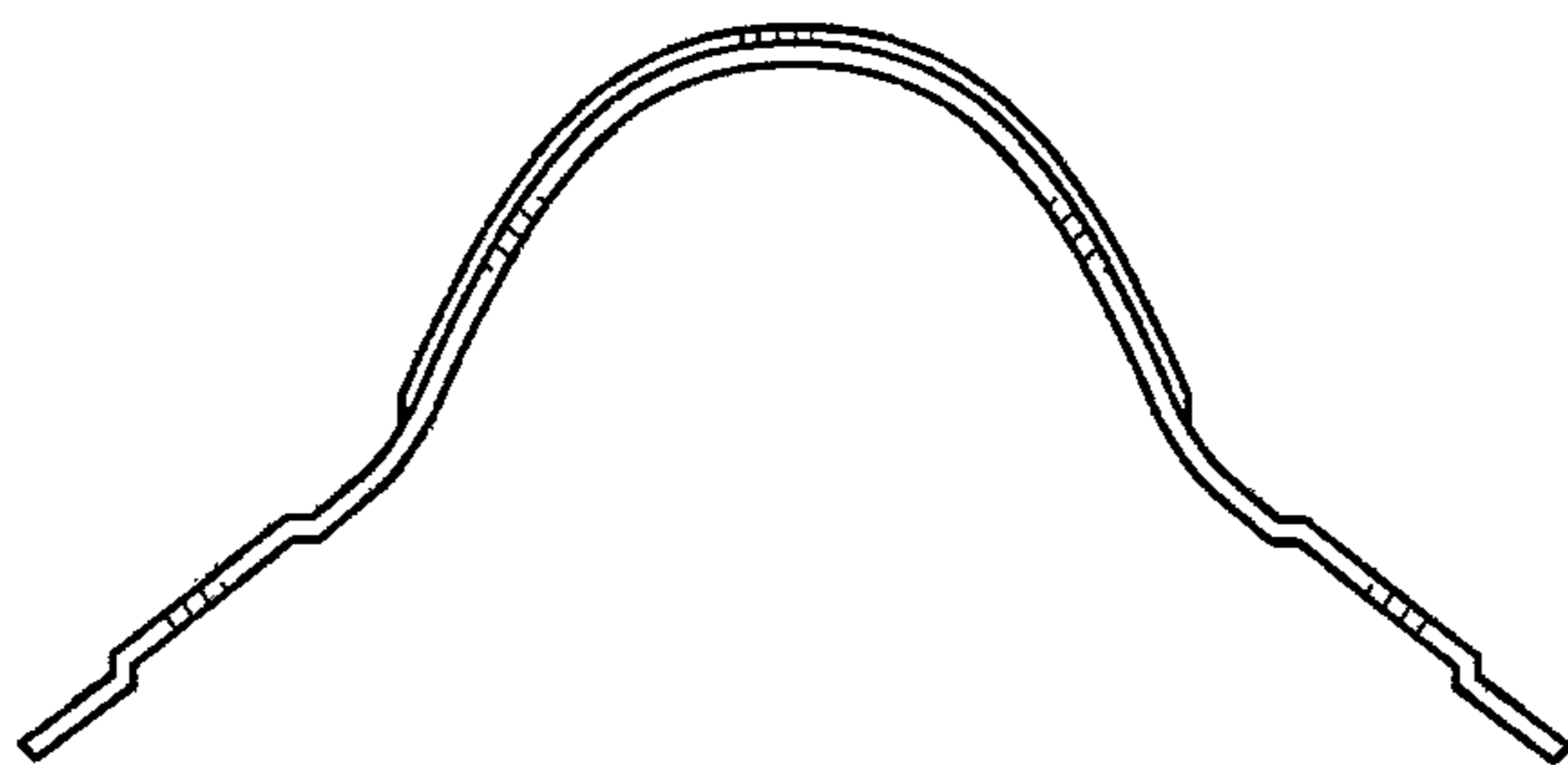


FIG. 7