



US00D718885S

(12) **United States Design Patent**
Derreumaux et al.

(10) **Patent No.:** **US D718,885 S**

(45) **Date of Patent:** **** Dec. 2, 2014**

(54) **BUILDING RIDGE END**

(71) Applicant: **Onduline SA**, Levallois Perret (FR)

(72) Inventors: **Charles Derreumaux**, Hem (FR); **Melih Kamil**, Istanbul (TR)

(73) Assignee: **Onduline SA**, Levallois Perret (FR)

(**) Term: **14 Years**

(21) Appl. No.: **29/452,357**

(22) Filed: **Apr. 15, 2013**

(30) **Foreign Application Priority Data**

Oct. 16, 2012 (EP) 002119305-0002

(51) **LOC (10) Cl.** **25-01**

(52) **U.S. Cl.**
USPC **D25/141**

(58) **Field of Classification Search**
USPC D25/139, 140, 141; 52/57, 43, 41, 44,
52/56, 50, 698, 96, 92.3, 198; 428/43;
427/186
See application file for complete search history.

(56) **References Cited**

U.S. PATENT DOCUMENTS

1,103,085 A * 7/1914 Russell 52/56
1,755,412 A * 4/1930 Schmieder 52/277
2,984,945 A * 5/1961 Campbell 52/478
3,660,955 A * 5/1972 Simon 52/420

D240,274 S * 6/1976 Markos D25/140
D253,735 S * 12/1979 Furley D25/140
4,233,786 A * 11/1980 Hildreth 52/94
4,322,924 A * 4/1982 Cooper 52/57
4,420,913 A * 12/1983 Long et al. 52/57
D275,325 S * 8/1984 Gustavsson D25/140
5,094,058 A * 3/1992 Slocum 52/533
D443,078 S * 5/2001 Wilson D25/141
D452,918 S * 1/2002 Ohanesian D25/139
D473,327 S * 4/2003 Lynch D25/141
6,845,590 B1 * 1/2005 Mills, Jr. 52/60
7,774,990 B1 * 8/2010 Castellanos 52/57

* cited by examiner

Primary Examiner — Doris Clark

(74) *Attorney, Agent, or Firm* — Gordon Rees Scully
Mansukhani LLP

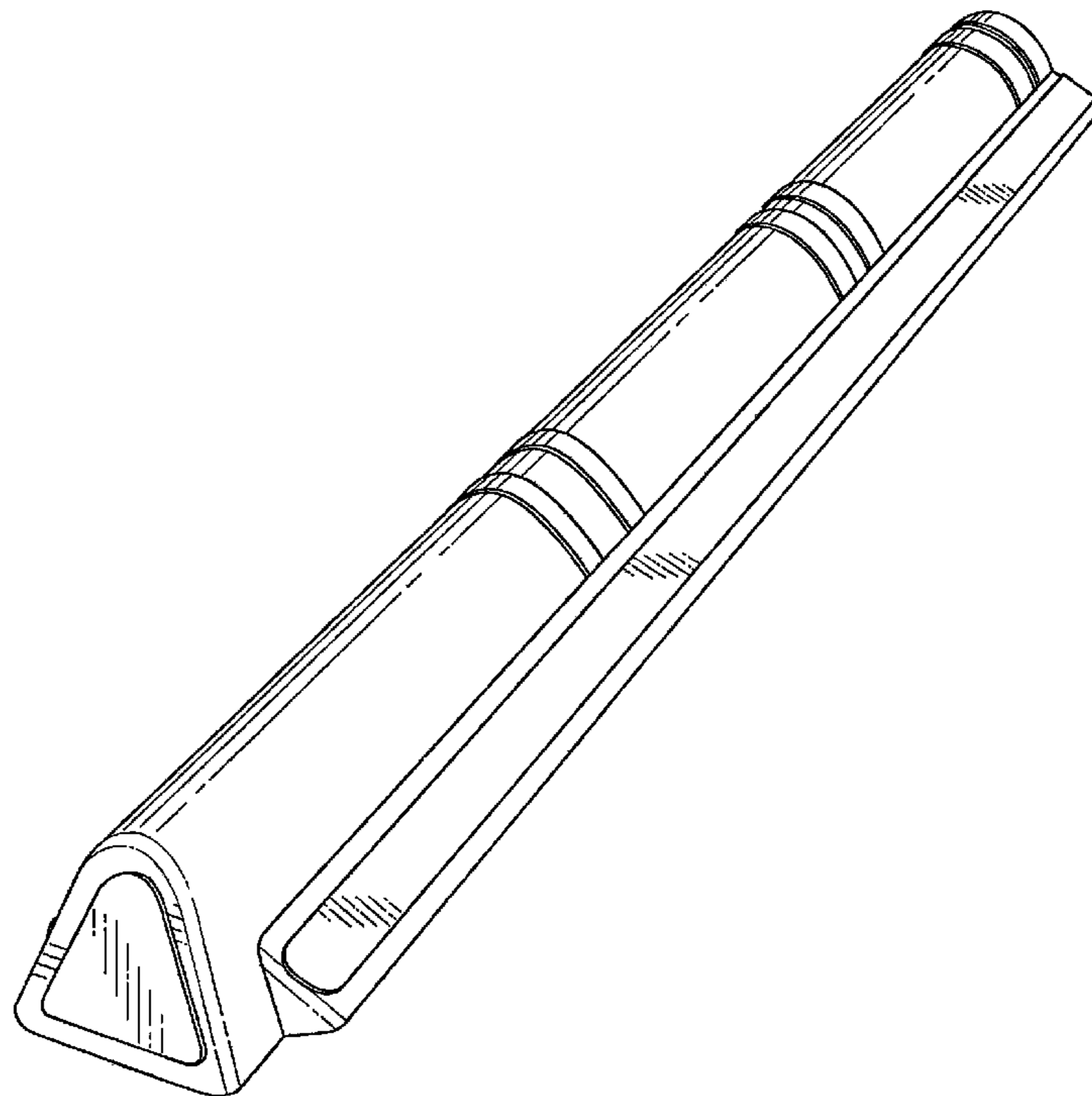
(57) **CLAIM**

We claim the ornamental design for a building ridge end, as shown and described.

DESCRIPTION

FIG. 1 is a front perspective view of the claimed building ridge end, showing our new design;
FIG. 2 is a top plan view thereof;
FIG. 3 is a bottom plan view thereof;
FIG. 4 is a left side elevation view thereof;
FIG. 5 is a right side elevation view thereof;
FIG. 6 is a front view thereof; and,
FIG. 7 is a rear view thereof.

1 Claim, 4 Drawing Sheets



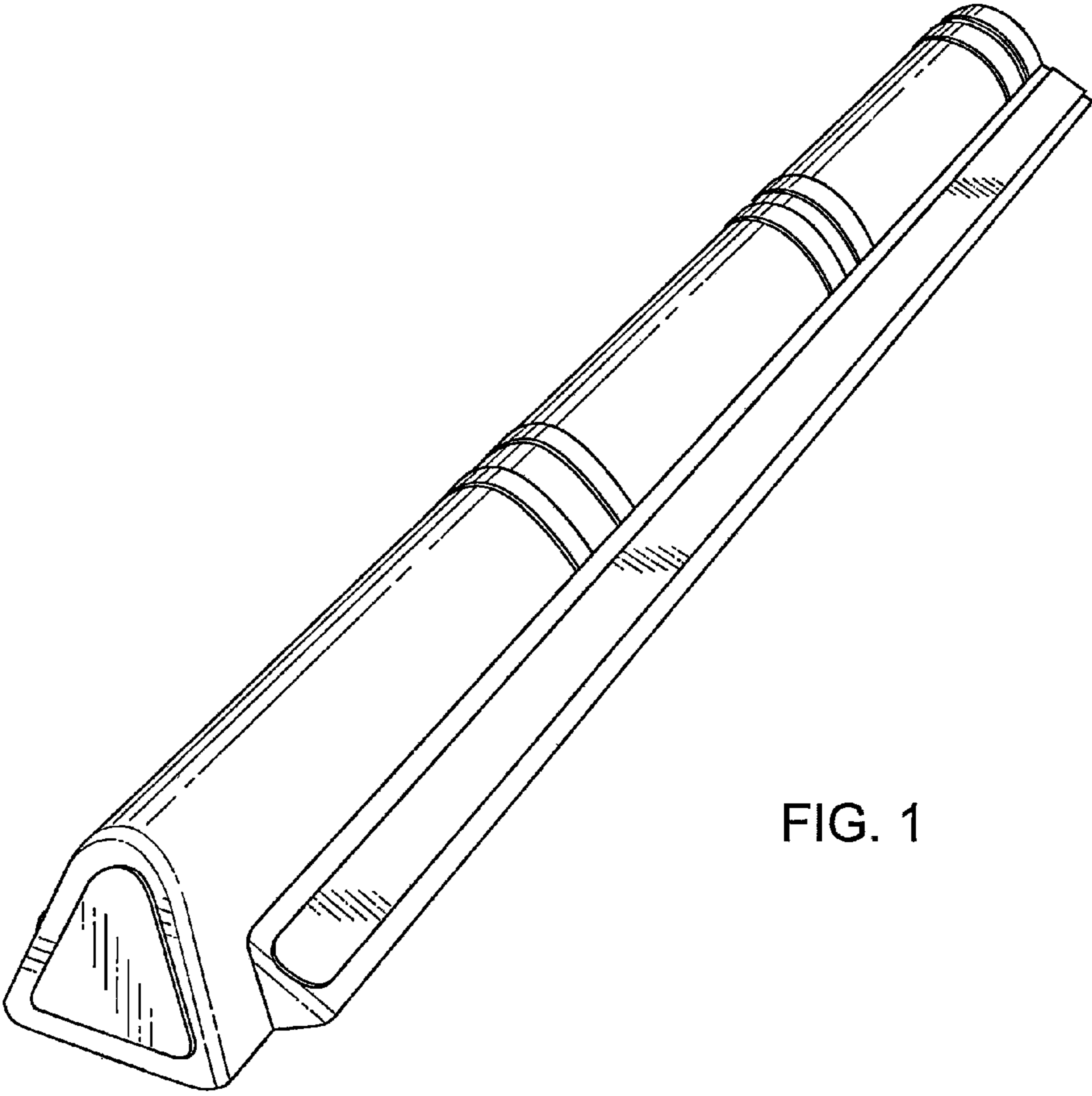


FIG. 1

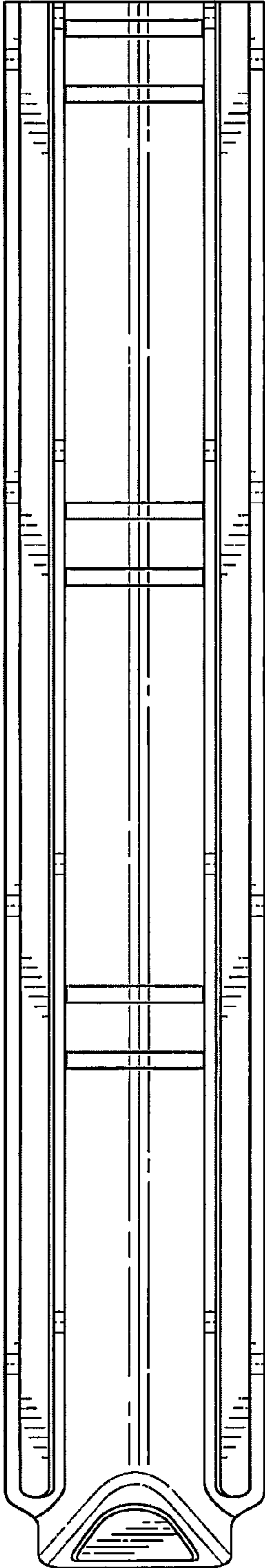


FIG. 2

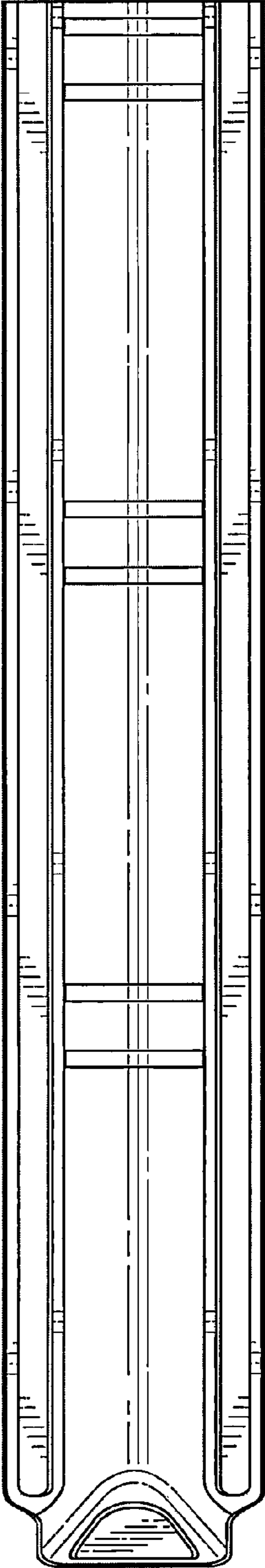


FIG. 3

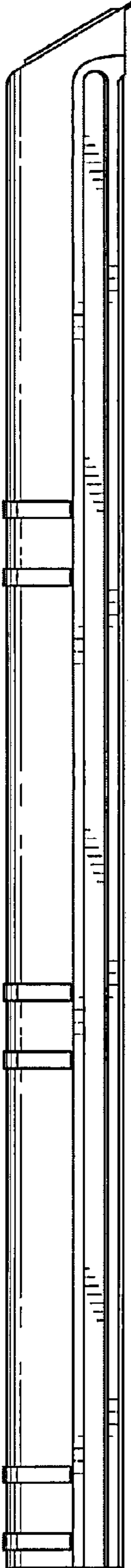


FIG. 4

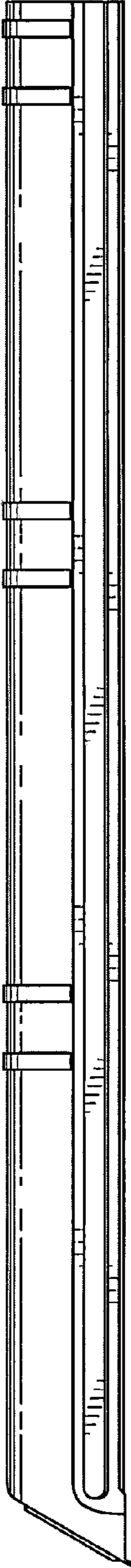


FIG. 5

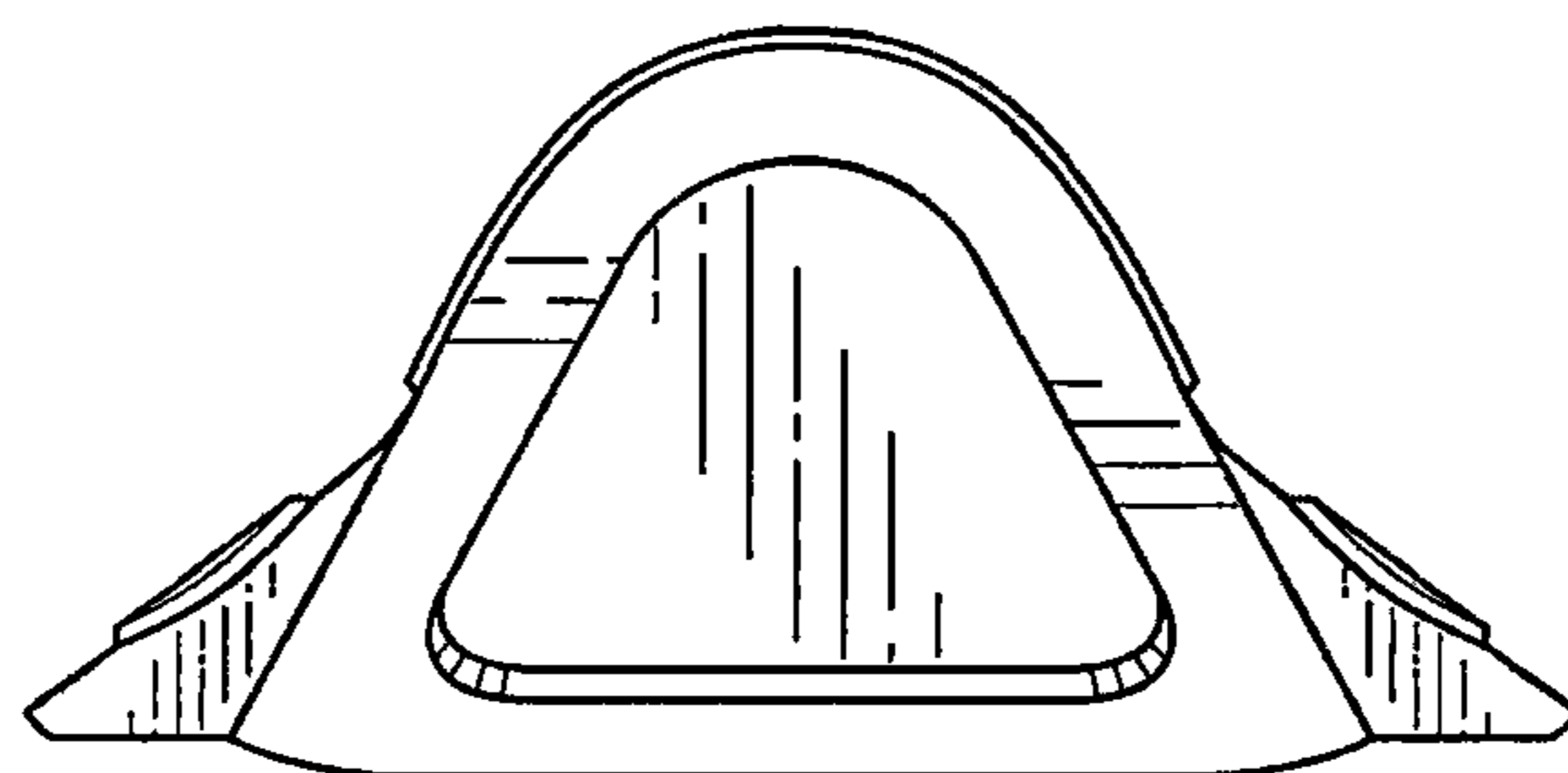


FIG. 6

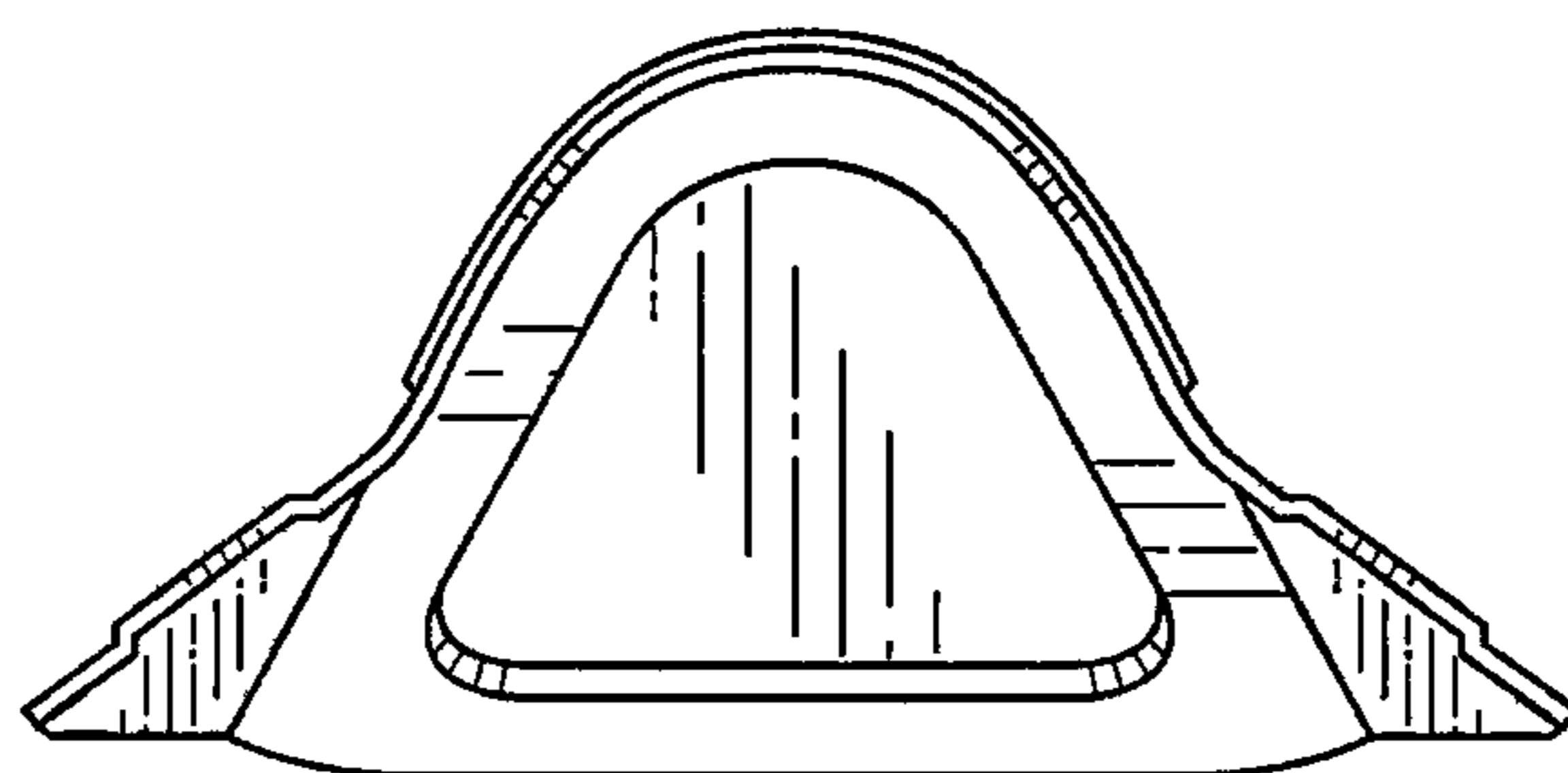


FIG. 7