



US00D718883S

(12) **United States Design Patent**  
**Thrush et al.**

(10) **Patent No.:** **US D718,883 S**  
(45) **Date of Patent:** **\*\* Dec. 2, 2014**

(54) **BARRIER RAIL**

(71) Applicant: **Moddex Group Pty Ltd**, Boronia (AU)

(72) Inventors: **Stephen Thrush**, Maryborough (AU);  
**Dean Vos**, Mooroolbark (AU); **Iain White**, St Kilda (AU); **Anton Voss**,  
Chirnside Park (AU); **Alvin Rowland**,  
Maryborough (AU)

(73) Assignee: **Moddex Group Pty Ltd.**, Victoria (AU)

(\*\*) Term: **14 Years**

(21) Appl. No.: **29/447,934**

(22) Filed: **Mar. 7, 2013**

(51) **LOC (10) Cl.** ..... **25-01**

(52) **U.S. Cl.**  
USPC ..... **D25/124; D25/126**

(58) **Field of Classification Search**  
USPC ..... **D25/119, 38.1, 126, 125, 124;**  
**256/13.1, 59, 65.01, 65.15, 65.16,**  
**256/65.02, 65.07, 65.11**

See application file for complete search history.

(56) **References Cited**

U.S. PATENT DOCUMENTS

D315,027 S \* 2/1991 Abbestam et al. .... D25/124  
6,149,134 A \* 11/2000 Bank et al. .... 256/13.1  
6,260,827 B1 \* 7/2001 Sicking et al. .... 256/13.1  
D600,362 S \* 9/2009 Geffe ..... D25/126

\* cited by examiner

*Primary Examiner* — Doris Clark

(74) *Attorney, Agent, or Firm* — Holland & Hart LLP

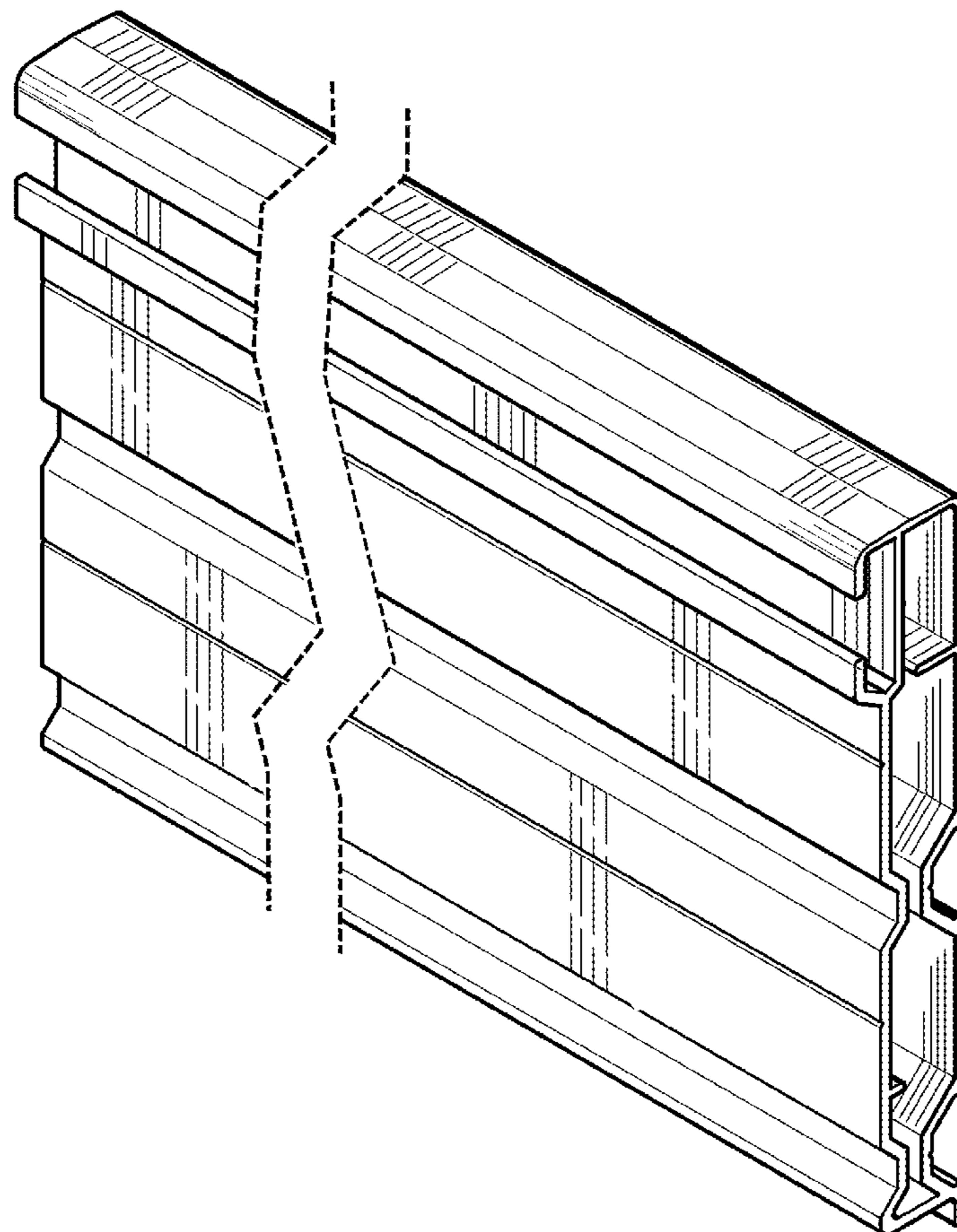
(57) **CLAIM**

The ornamental design for a barrier rail, as shown and described.

**DESCRIPTION**

FIG. 1 is a top and front perspective view of the barrier rail, showing my new design, the broken lines in FIGS. 1, 2, 4 and 5 indicate the length of the barrier rail is indeterminate; FIG. 2 is a right side view of the design illustrated in FIG. 1, the left side view being a mirror image thereof; FIG. 3 is an end view of the design illustrated in FIG. 1; FIG. 4 is a rear perspective view of the design illustrated in FIG. 1; and, FIG. 5 is a top plan view of the design illustrated in FIG. 1.

**1 Claim, 5 Drawing Sheets**



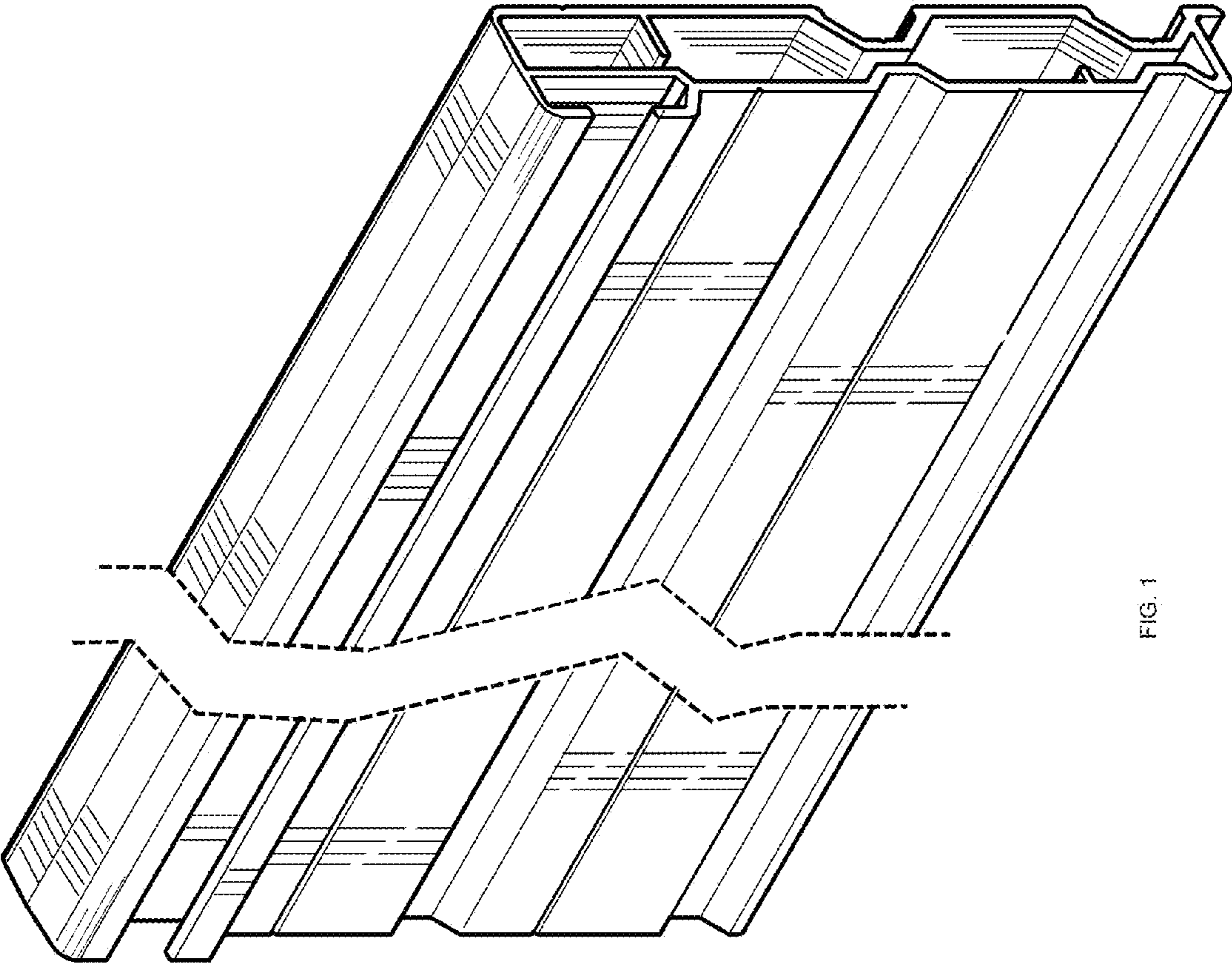


FIG. 1

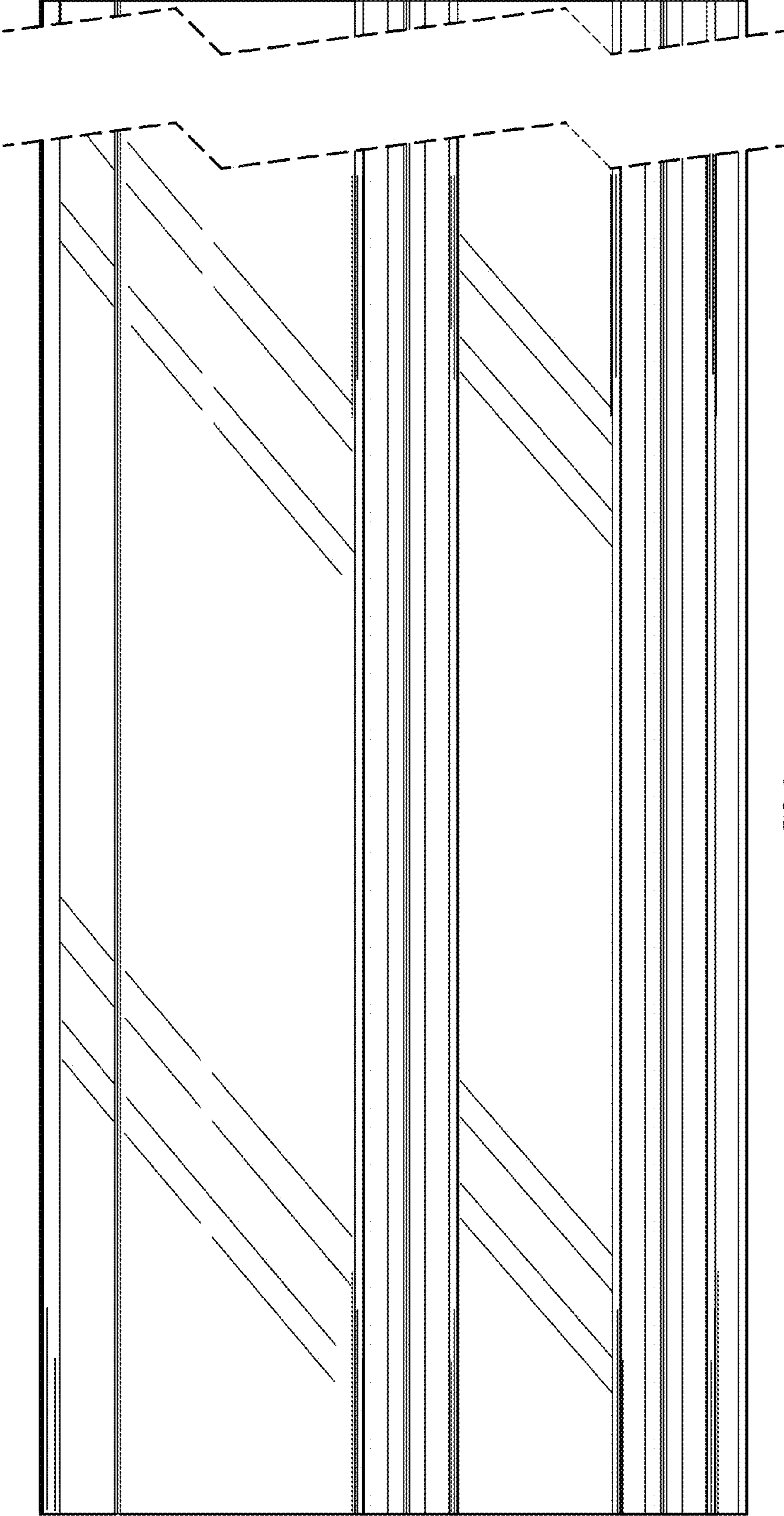


FIG. 2

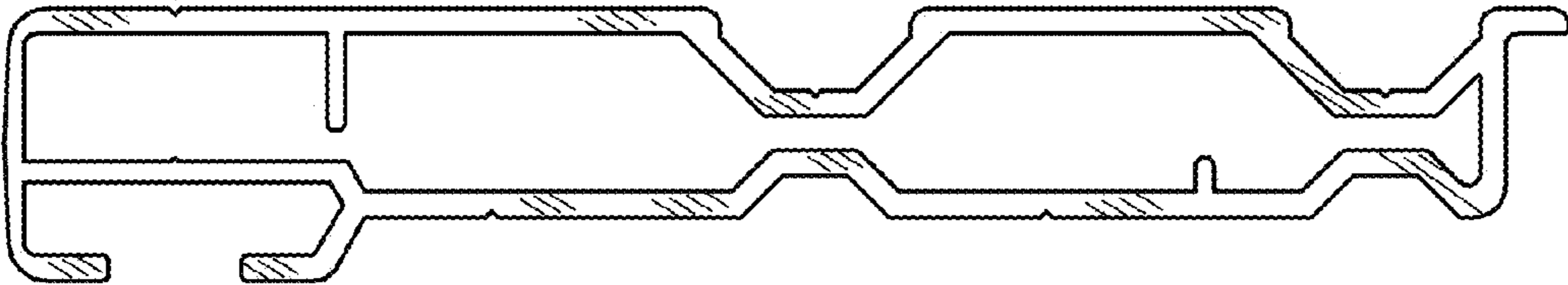


FIG. 3

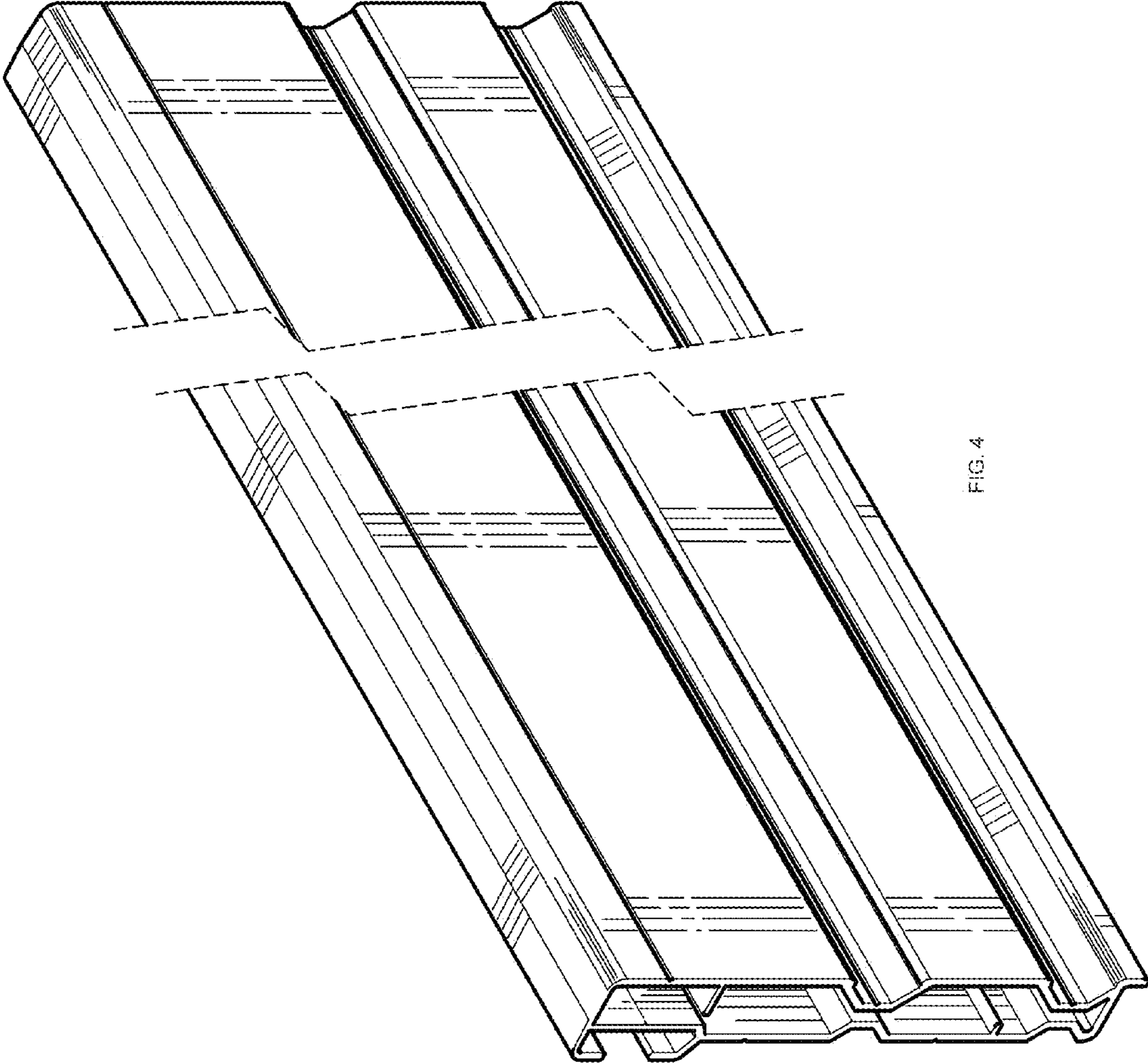


FIG. 4

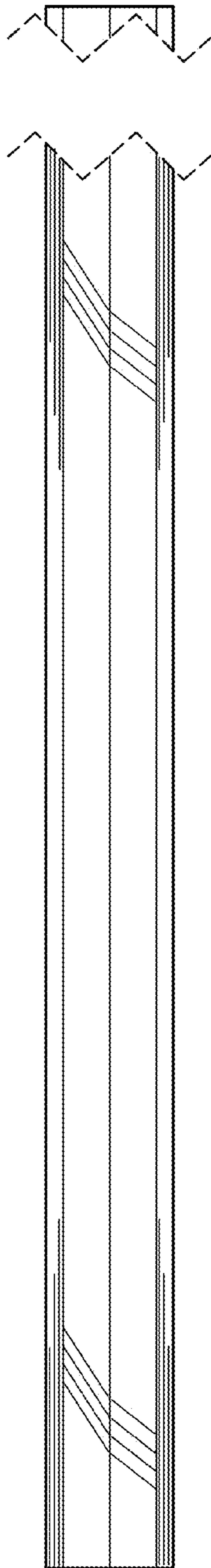


FIG. 5