



US00D718876S

(12) **United States Design Patent**
Smedberg

(10) **Patent No.:** **US D718,876 S**

(45) **Date of Patent:** **** Dec. 2, 2014**

(54) **FASCIA MOLDING**

(71) Applicant: **Jay Thomas Smedberg**, Crosslake, MN
(US)

(72) Inventor: **Jay Thomas Smedberg**, Crosslake, MN
(US)

(**) Term: **14 Years**

(21) Appl. No.: **29/421,816**

(22) Filed: **Sep. 28, 2012**

(51) **LOC (10) Cl.** **25-01**

(52) **U.S. Cl.**
USPC **D25/119; D25/35; D25/136**

(58) **Field of Classification Search**
USPC **D25/119, 136, 35; 52/94, 96, 60, 702,**
52/762, 764, 801.1, 801.11; 454/260
See application file for complete search history.

(56) **References Cited**

U.S. PATENT DOCUMENTS

4,899,566	A	2/1990	Knudson	
5,142,894	A	9/1992	Gutowski	
D340,532	S *	10/1993	Jansen D25/119
5,303,521	A *	4/1994	Jansen 52/94
5,551,272	A	9/1996	Knudson	
5,706,608	A	1/1998	Sweet	
6,216,514	B1	4/2001	Bradbury et al.	
D447,820	S *	9/2001	Grace D25/119
6,539,675	B1 *	4/2003	Gile 52/96
6,766,676	B2	7/2004	Gorski	

6,845,590	B1	1/2005	Mills, Jr.
6,931,903	B2	8/2005	Knudson et al.
6,938,389	B2	9/2005	Fisher
7,004,001	B2	2/2006	Barnes

OTHER PUBLICATIONS

11 page online blog entitled "Rain Gutter Styles—Guttering Profiles Types" by Rutland Gutter Supply Co. dated Jul. 12, 2011.

* cited by examiner

Primary Examiner — Doris Clark

(74) *Attorney, Agent, or Firm* — John W. Bunch

(57) **CLAIM**

The ornamental design for a fascia molding, as shown and described.

DESCRIPTION

FIG. 1 is a perspective view of a first embodiment of the fascia molding of my new design;

FIG. 2 is a left end elevational end view thereof;

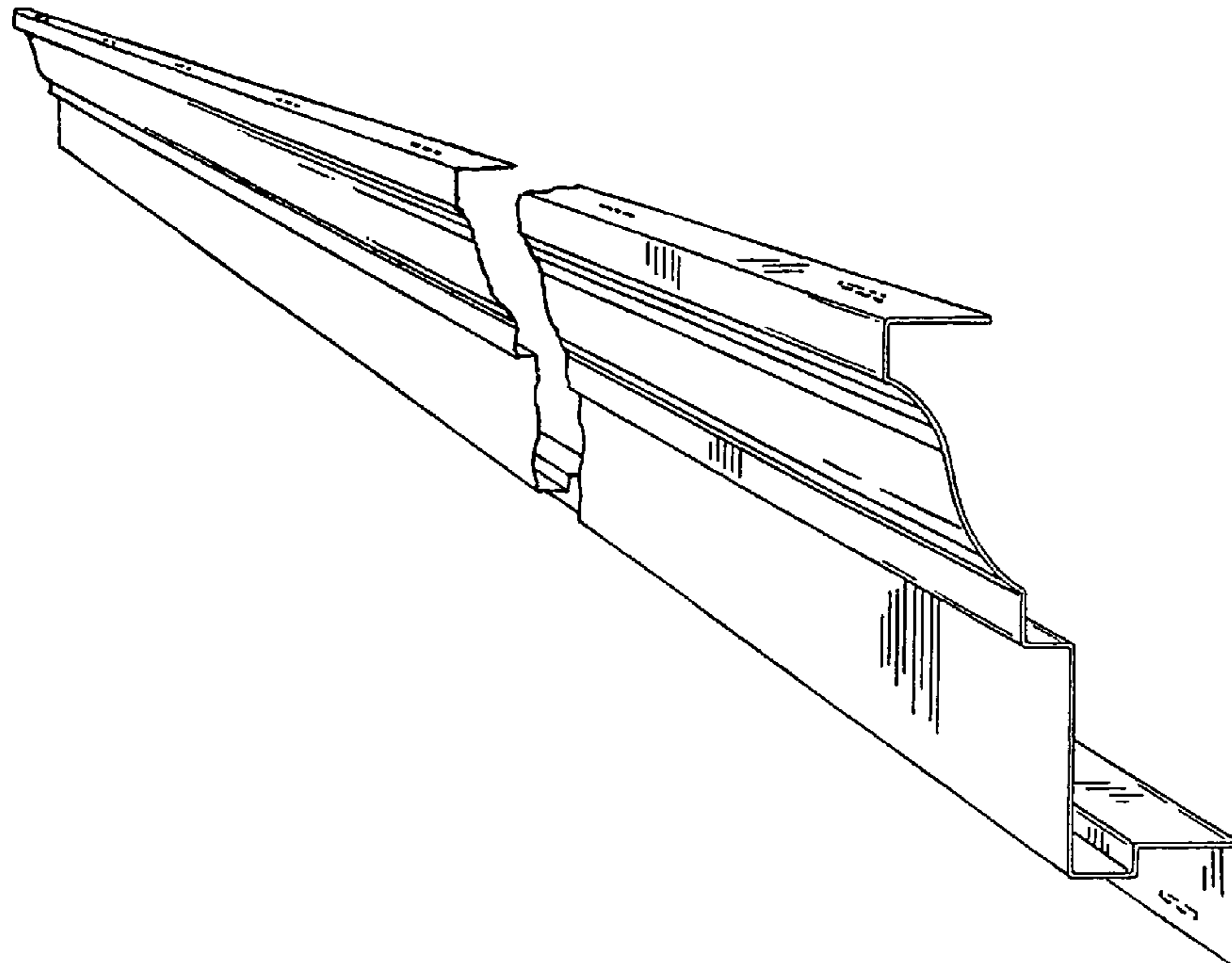
FIG. 3 is a right end elevational end view thereof; and,

FIG. 4 is a top plan view thereof.

The nail slots shown in phantom lines in the fascia molding are for illustrative purposes and form no part of the claimed design.

The fascia molding has been broken away in the center to represent indeterminate length.

1 Claim, 3 Drawing Sheets



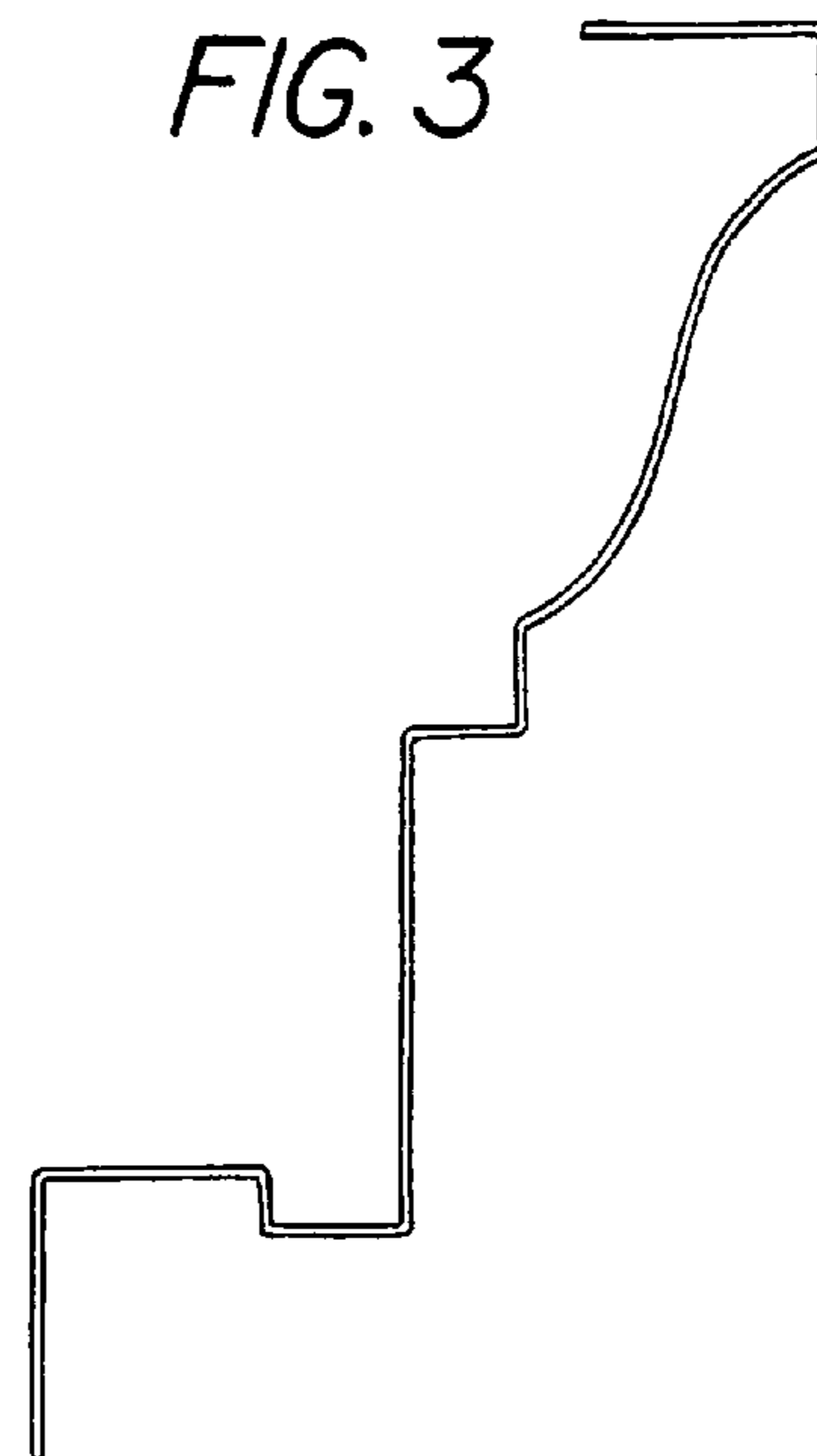
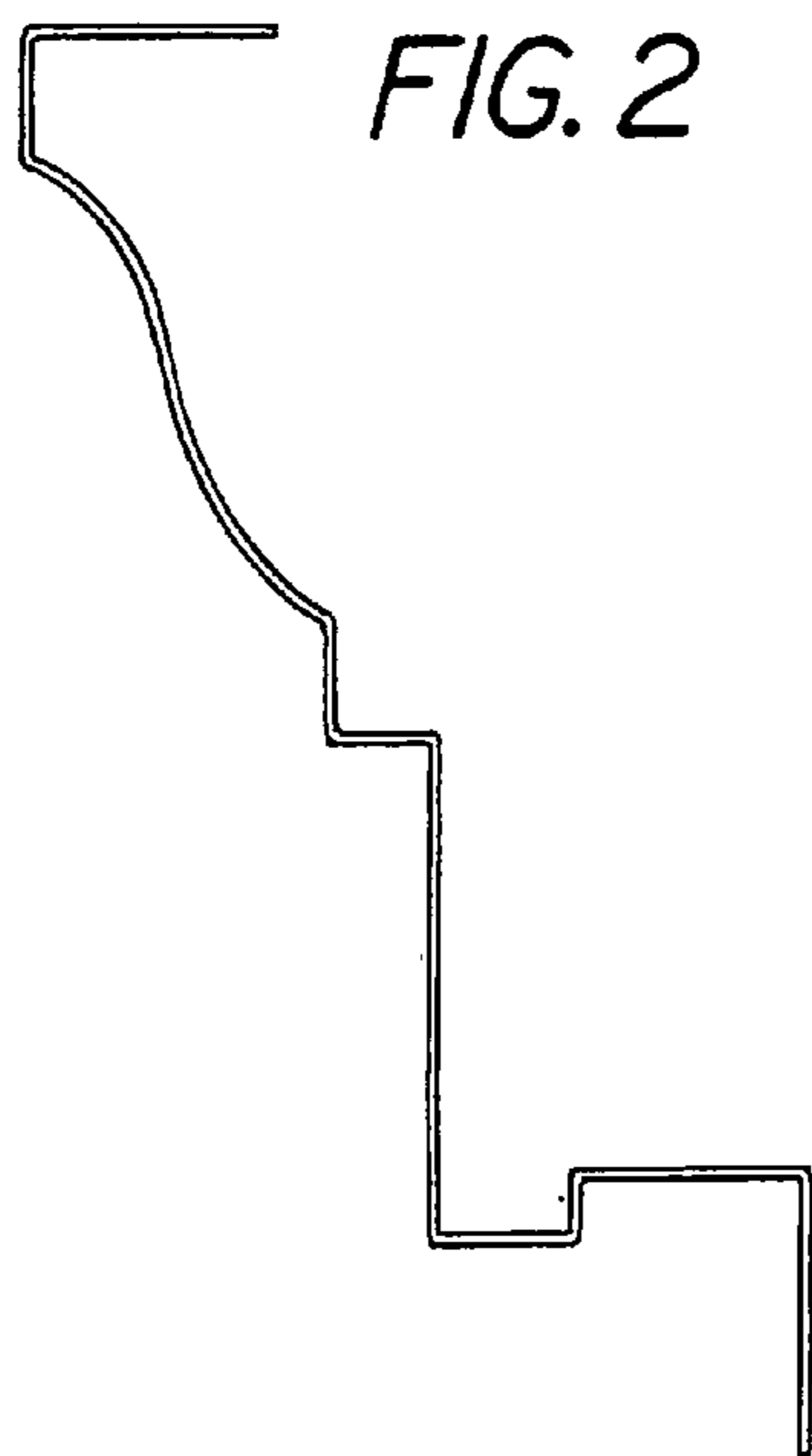
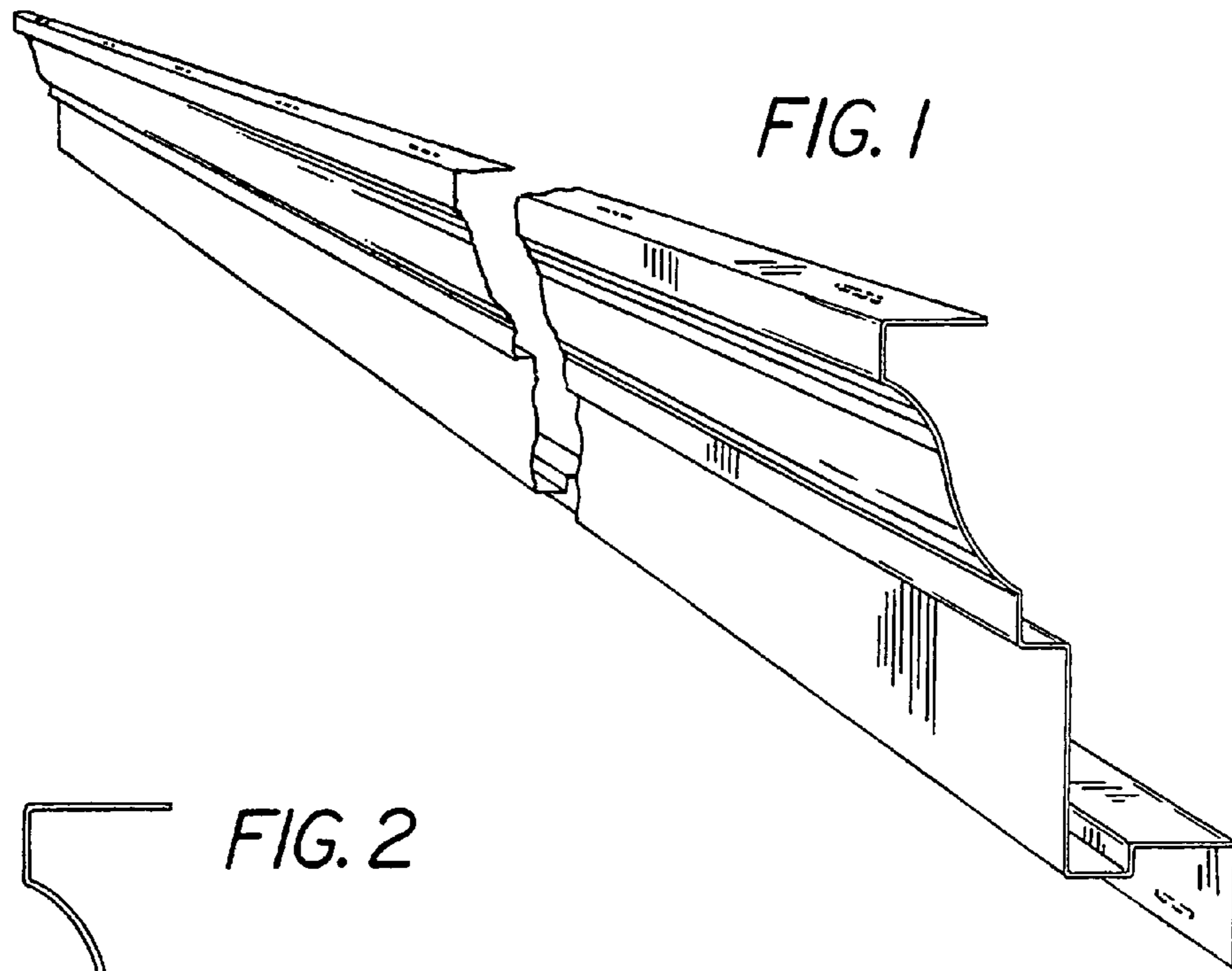


FIG. 5

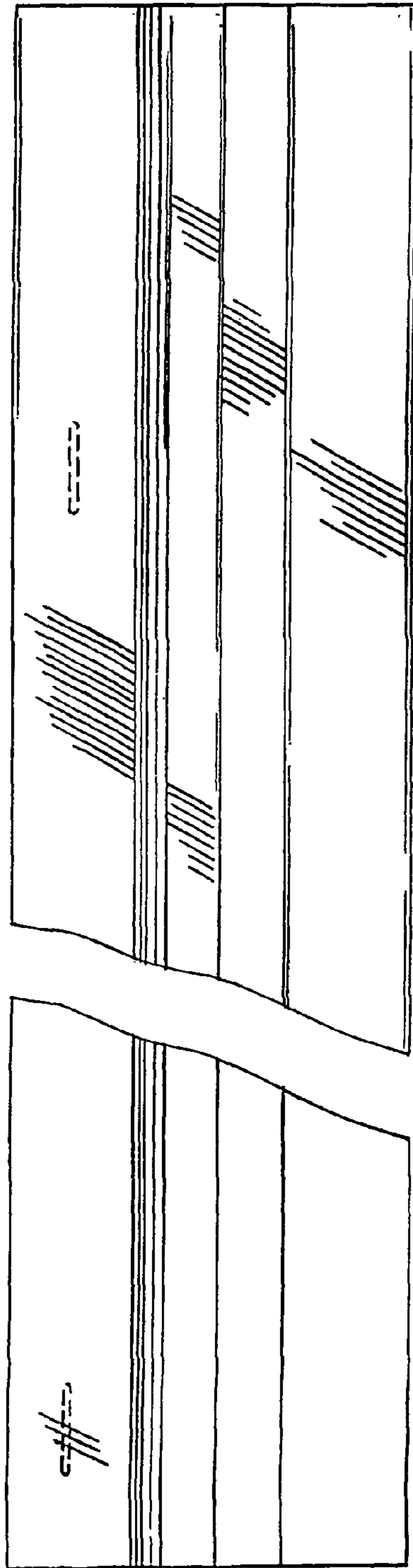


FIG. 4

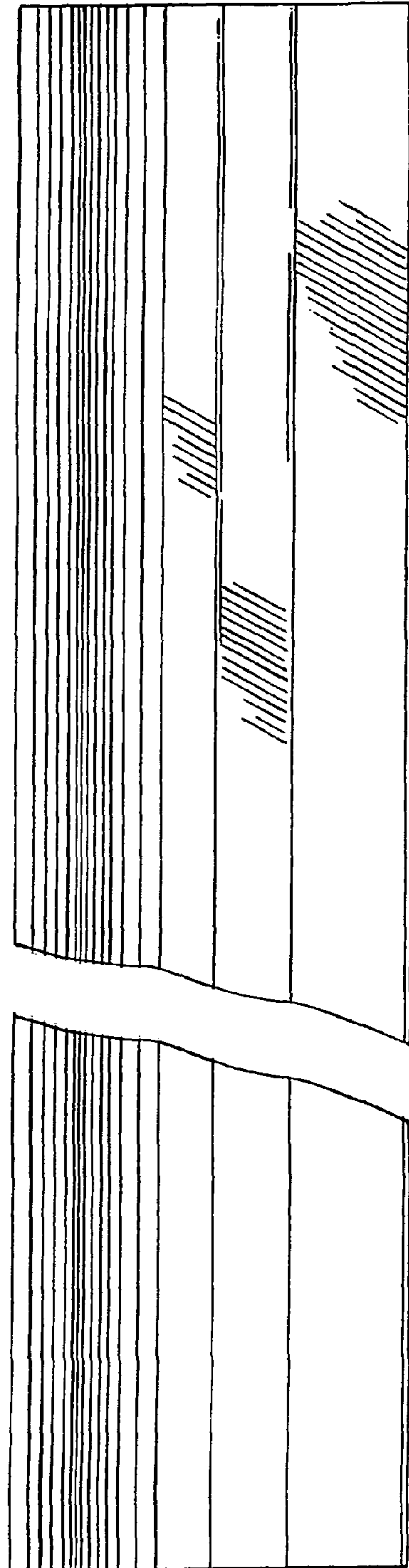


FIG. 6

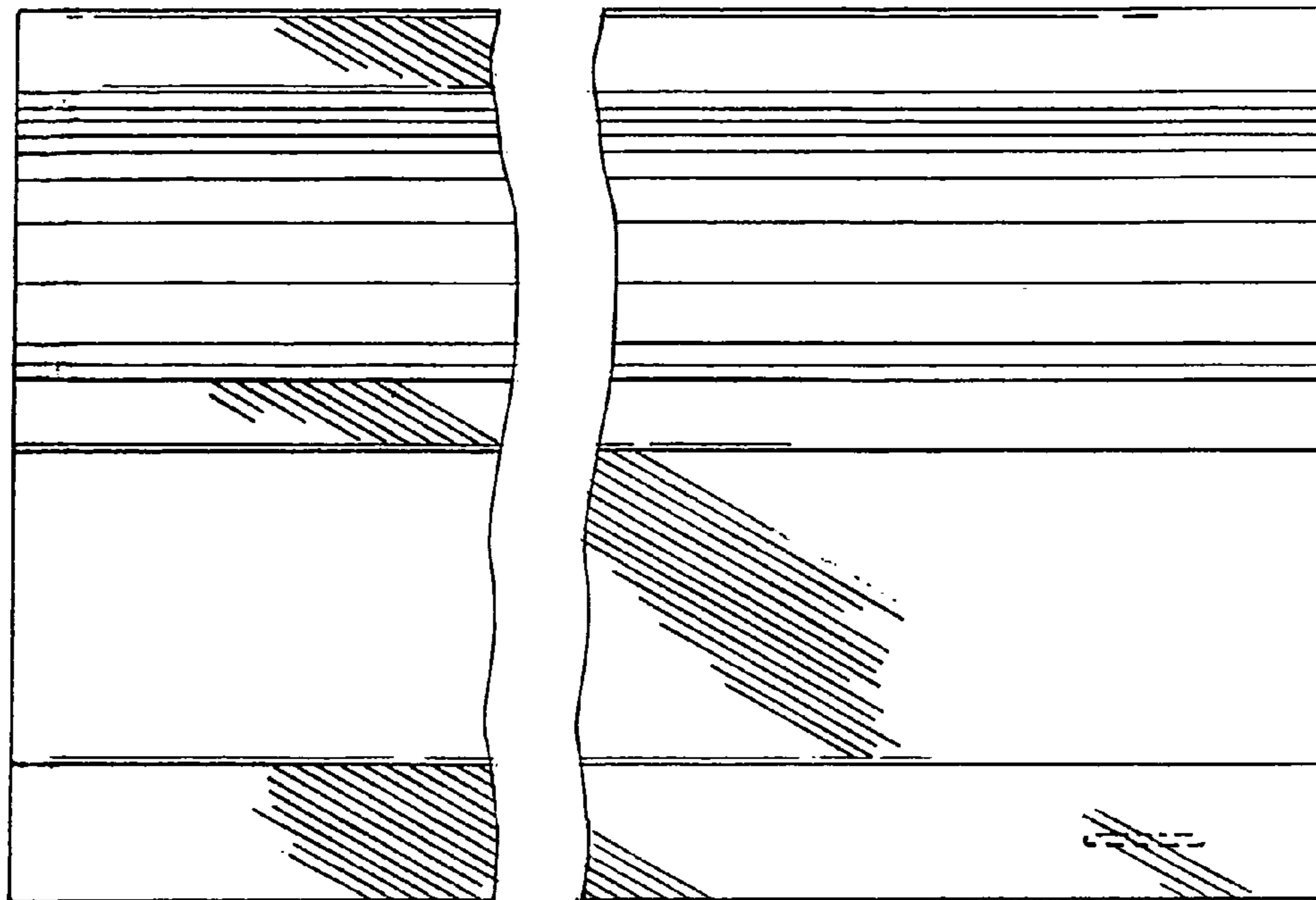


FIG. 7

