



US00D718875S

(12) **United States Design Patent**
Ramos Moreno et al.

(10) **Patent No.:** **US D718,875 S**
(45) **Date of Patent:** **** Dec. 2, 2014**

(54) **STEP FOR A LADDER**

(71) Applicants: **Jeziel Ramos Moreno**, Nuevo Leon (MX); **Gilberto Saldivar Cantu**, Nuevo Leon (MX)

(72) Inventors: **Jeziel Ramos Moreno**, Nuevo Leon (MX); **Gilberto Saldivar Cantu**, Nuevo Leon (MX)

(73) Assignee: **Louisville Ladder Inc.**, Louisville, KY (US)

(**) Term: **14 Years**

(21) Appl. No.: **29/455,201**

(22) Filed: **May 17, 2013**

(51) **LOC (10) Cl.** **25-04**

(52) **U.S. Cl.**
USPC **D25/69**

(58) **Field of Classification Search**
USPC D25/69; 182/228.2, 198, 215, 186.5, 182/194, 179.1; 52/179, 190; 248/210
See application file for complete search history.

(56) **References Cited**

U.S. PATENT DOCUMENTS

2,951,550 A * 9/1960 Rich 182/194
3,495,684 A * 2/1970 Homery 182/217

4,631,874 A * 12/1986 Griffin, Jr. 52/8
D291,006 S * 7/1987 Minichillo et al. D25/69
4,716,988 A * 1/1988 Graffy 182/228.5
D555,807 S * 11/2007 Eriksson et al. D25/69

* cited by examiner

Primary Examiner — Doris Clark

(74) *Attorney, Agent, or Firm* — Egbert Law Offices, PLLC

(57) **CLAIM**

The ornamental design for a step for a ladder, as shown and described.

DESCRIPTION

FIG. 1 is an upper perspective view of the step for a ladder showing my new design.

FIG. 2 is a front elevation view thereof;

FIG. 3 is a rear elevation view thereof;

FIG. 4 is a side elevation view thereof;

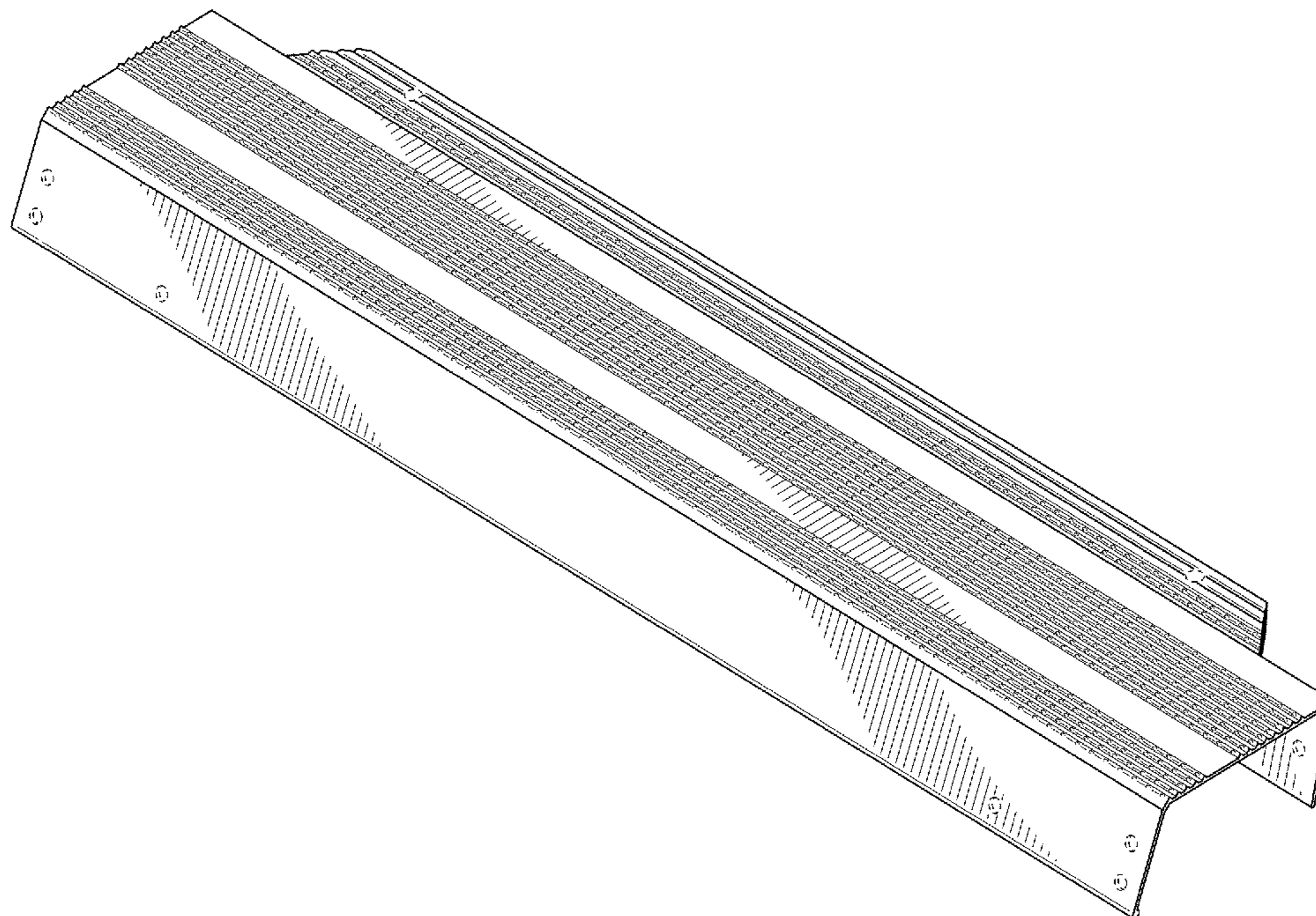
FIG. 5 is an opposite side elevation view thereof;

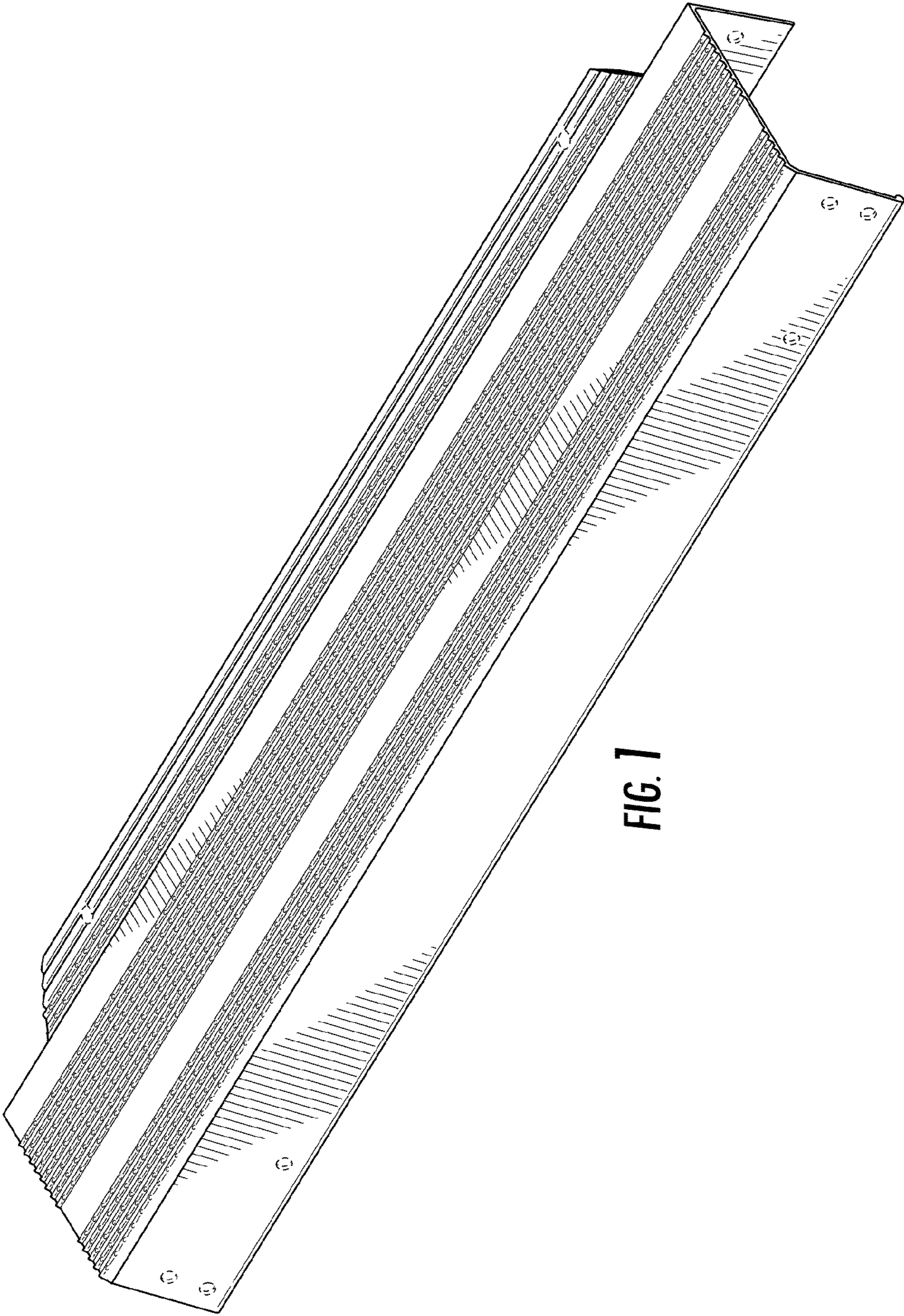
FIG. 6 is a top plan view thereof; and,

FIG. 7 is a bottom plan view thereof.

The mounting holes presented in broken lines are for environmental purposes only and form no part of the claimed design.

1 Claim, 4 Drawing Sheets





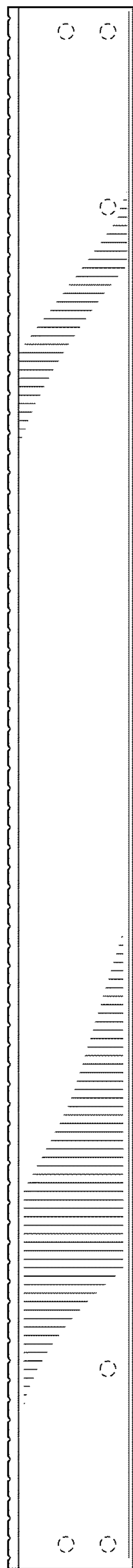


FIG. 2

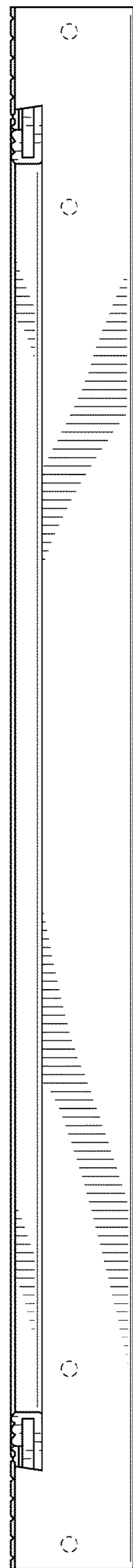


FIG. 3

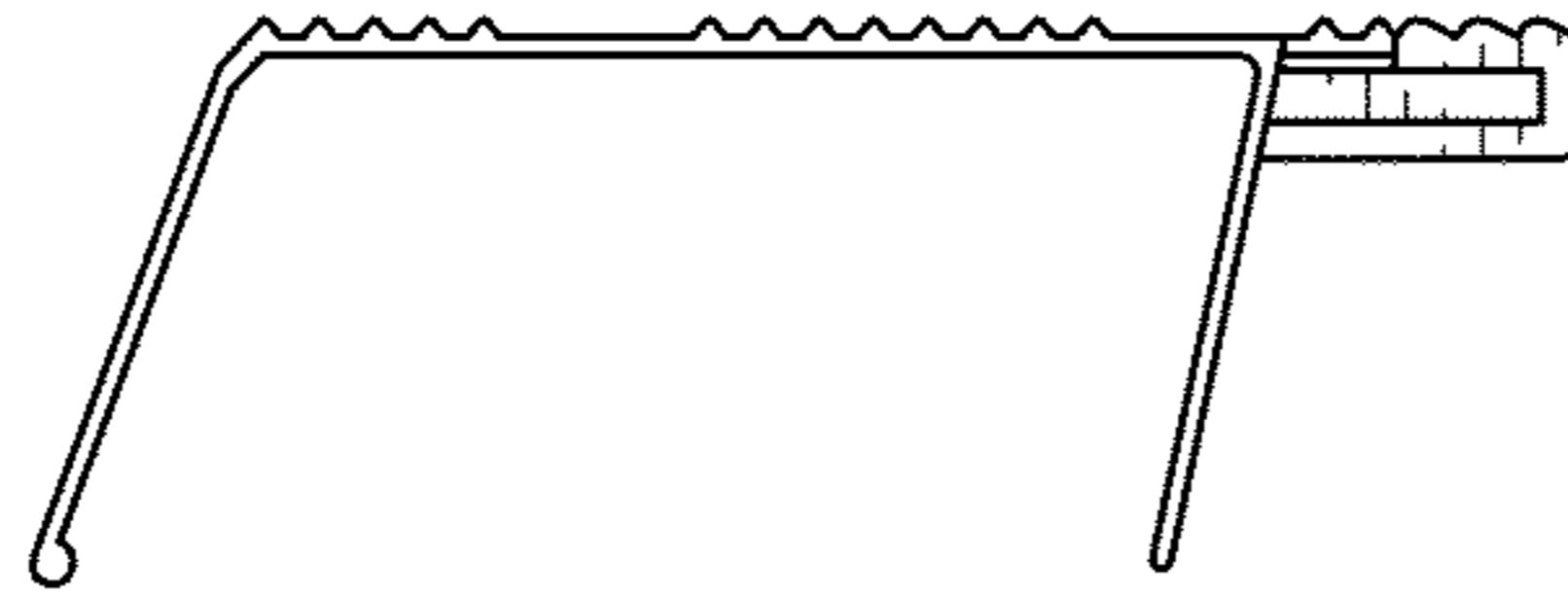


FIG. 4

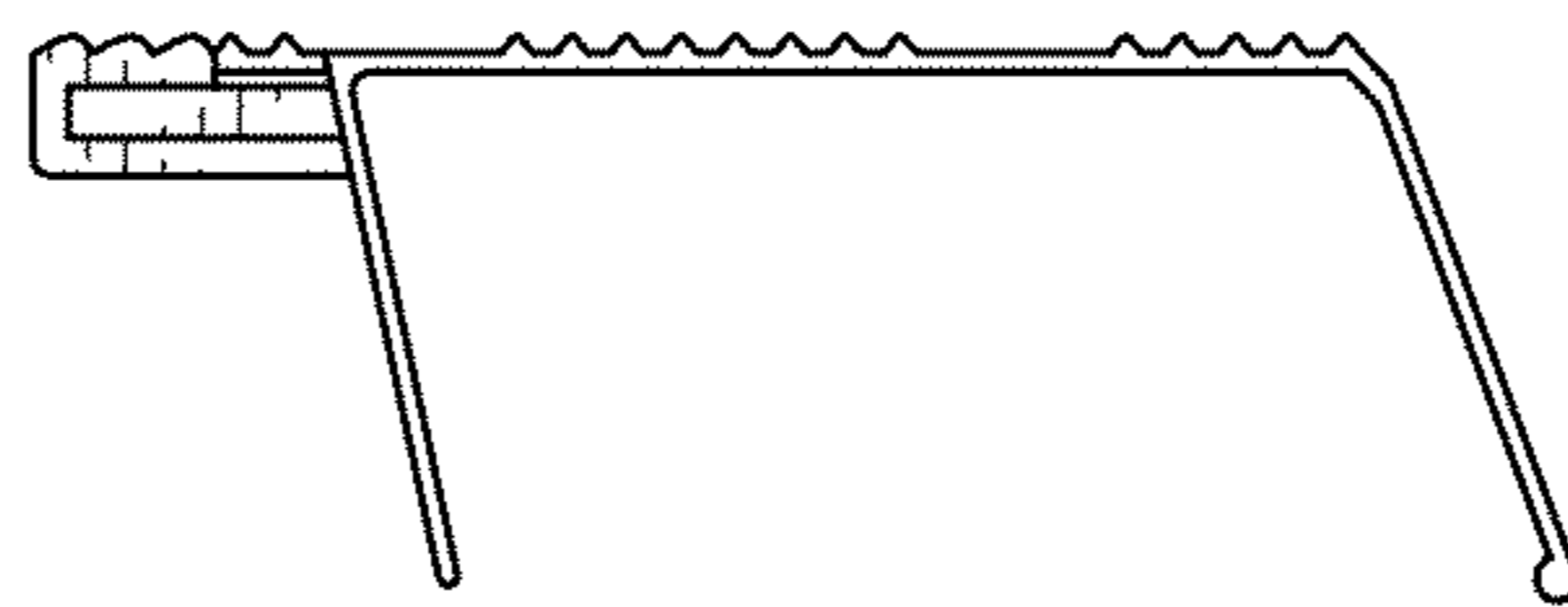


FIG. 5

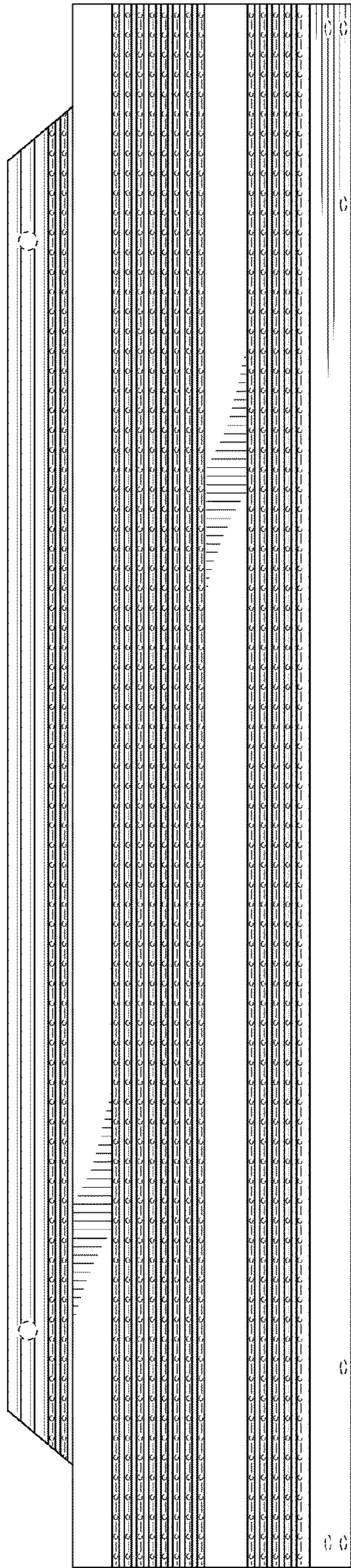


FIG. 6

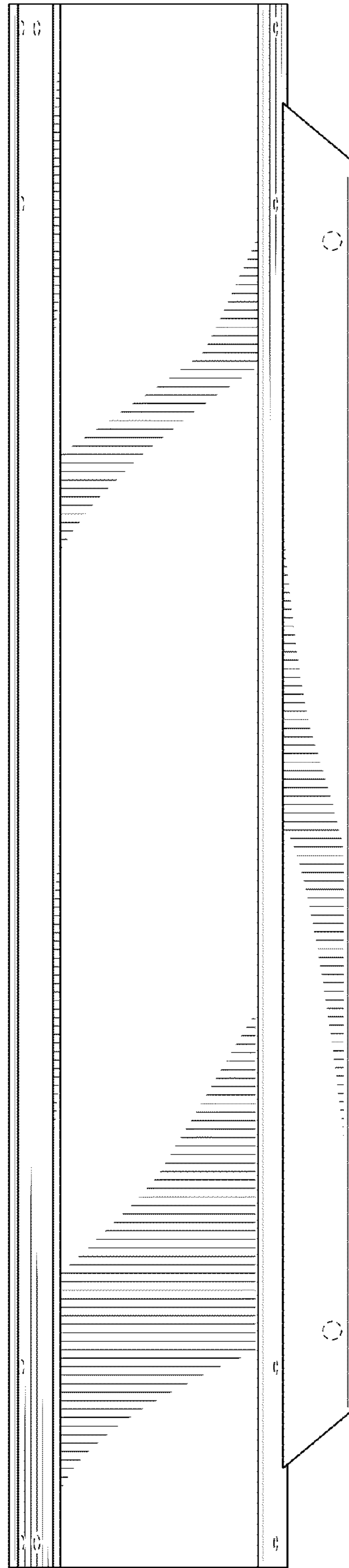


FIG. 7