



US00D718874S

(12) **United States Design Patent**
Koren

(10) **Patent No.:** **US D718,874 S**

(45) **Date of Patent:** **** Dec. 2, 2014**

(54) **COVER FOR HANDLE**

(71) Applicant: **Pharma Sept Medical Products Ltd.,**
Caesarea (IL)

(72) Inventor: **Arie Koren, Ra'anana (IL)**

(**) Term: **14 Years**

(21) Appl. No.: **29/448,854**

(22) Filed: **Mar. 14, 2013**

(30) **Foreign Application Priority Data**

Oct. 29, 2012 (IL) 53314

(51) **LOC (10) Cl.** **24-01**

(52) **U.S. Cl.**
USPC **D24/232**

(58) **Field of Classification Search**
USPC D24/232, 127, 132, 152, 176-177, 231;
D23/411-412, 379, 382; D26/51,
D26/72-73, 65, 113, 118; 362/400, 403,
362/431, 433-434, 804, 239, 253, 404
See application file for complete search history.

(56) **References Cited**

U.S. PATENT DOCUMENTS

4,559,671 A * 12/1985 Andrews et al. 362/804
4,844,252 A * 7/1989 Barron et al. 362/804

4,974,288 A * 12/1990 Reasner 362/804
4,976,299 A * 12/1990 Bickelman 362/804
D313,670 S * 1/1991 Barron et al. D26/113
5,036,446 A * 7/1991 Quintanilla et al. 362/804
5,669,102 A * 9/1997 Sandel 362/804
5,735,598 A * 4/1998 Ramirez 362/400
D543,307 S * 5/2007 Bynum et al. D26/118
7,757,352 B2 * 7/2010 Halamish et al. 362/400
8,752,987 B1 * 6/2014 Hoftman 362/400

* cited by examiner

Primary Examiner — Wan Laymon

(74) *Attorney, Agent, or Firm* — Stinson Leonard Street LLP

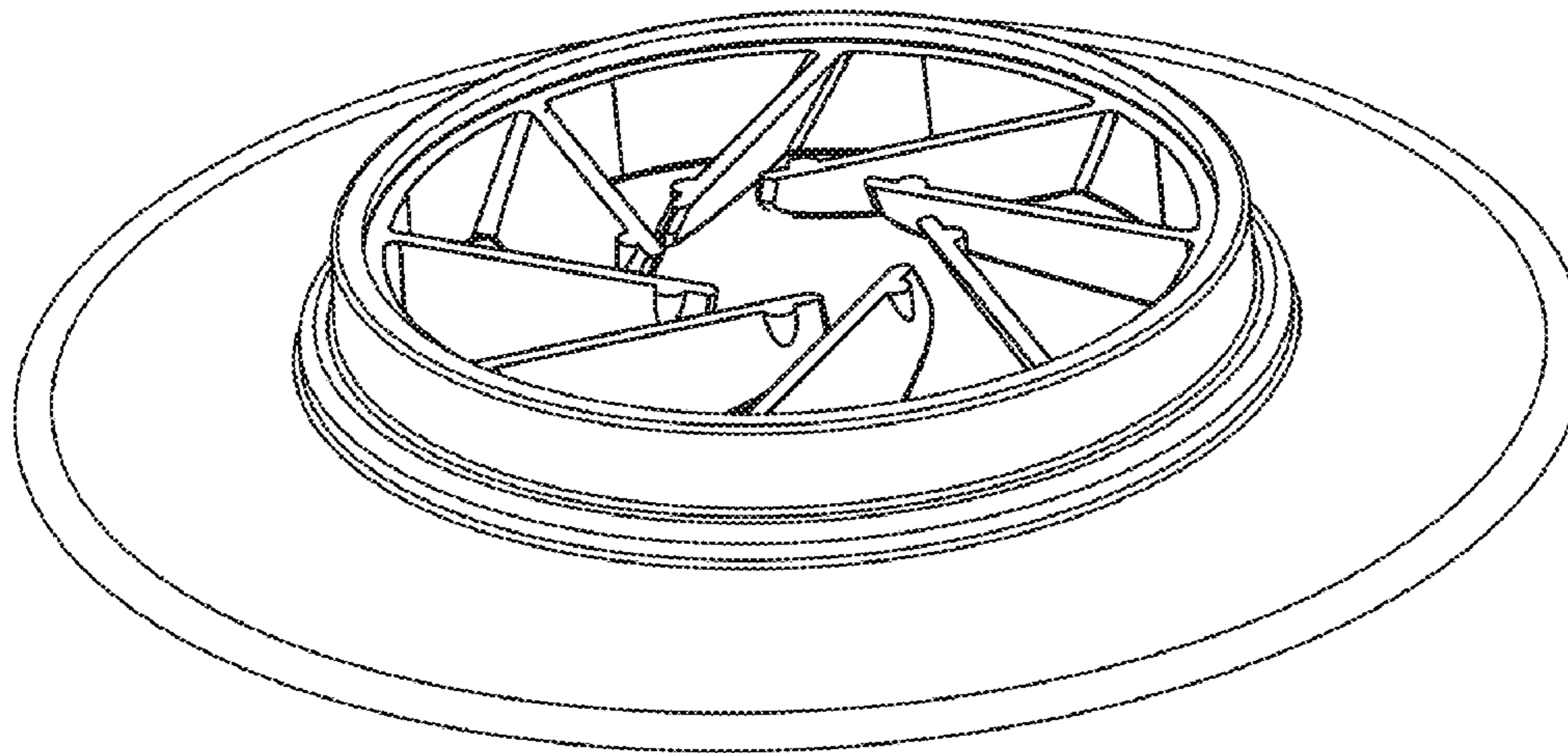
(57) **CLAIM**

The ornamental design for a cover for a handle, as shown and described.

DESCRIPTION

FIG. 1 is a bottom view of a cover for a handle according to the invention.
FIG. 2 is a top view of the cover for the handle;
FIG. 3 is a right view of the cover for the handle;
FIG. 4 is a left view of the cover for the handle;
FIG. 5 is a front view of the cover for the handle;
FIG. 6 is a back view of the cover for the handle; and,
FIG. 7 is a bottom perspective view of the cover for the handle.

1 Claim, 7 Drawing Sheets



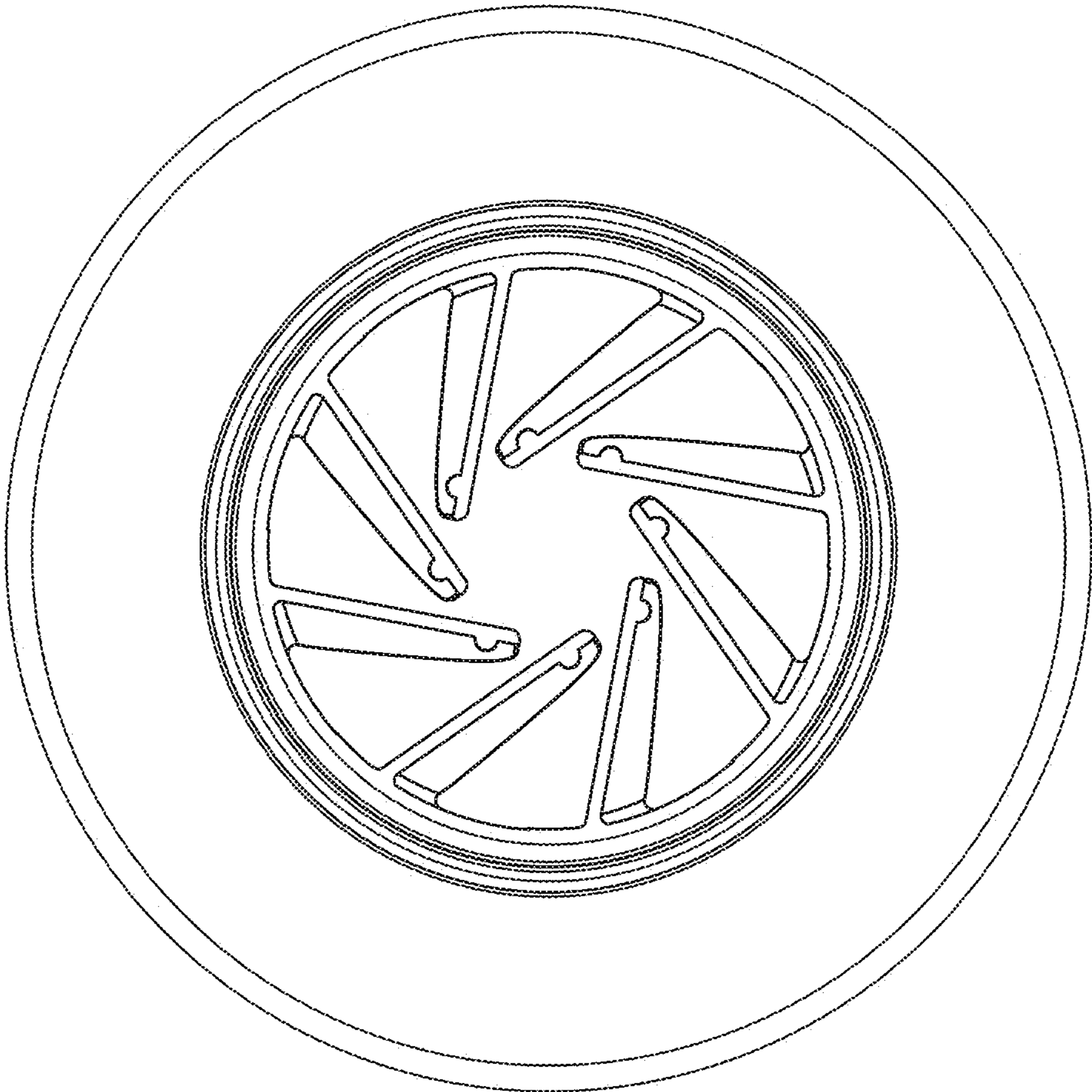


FIG .1

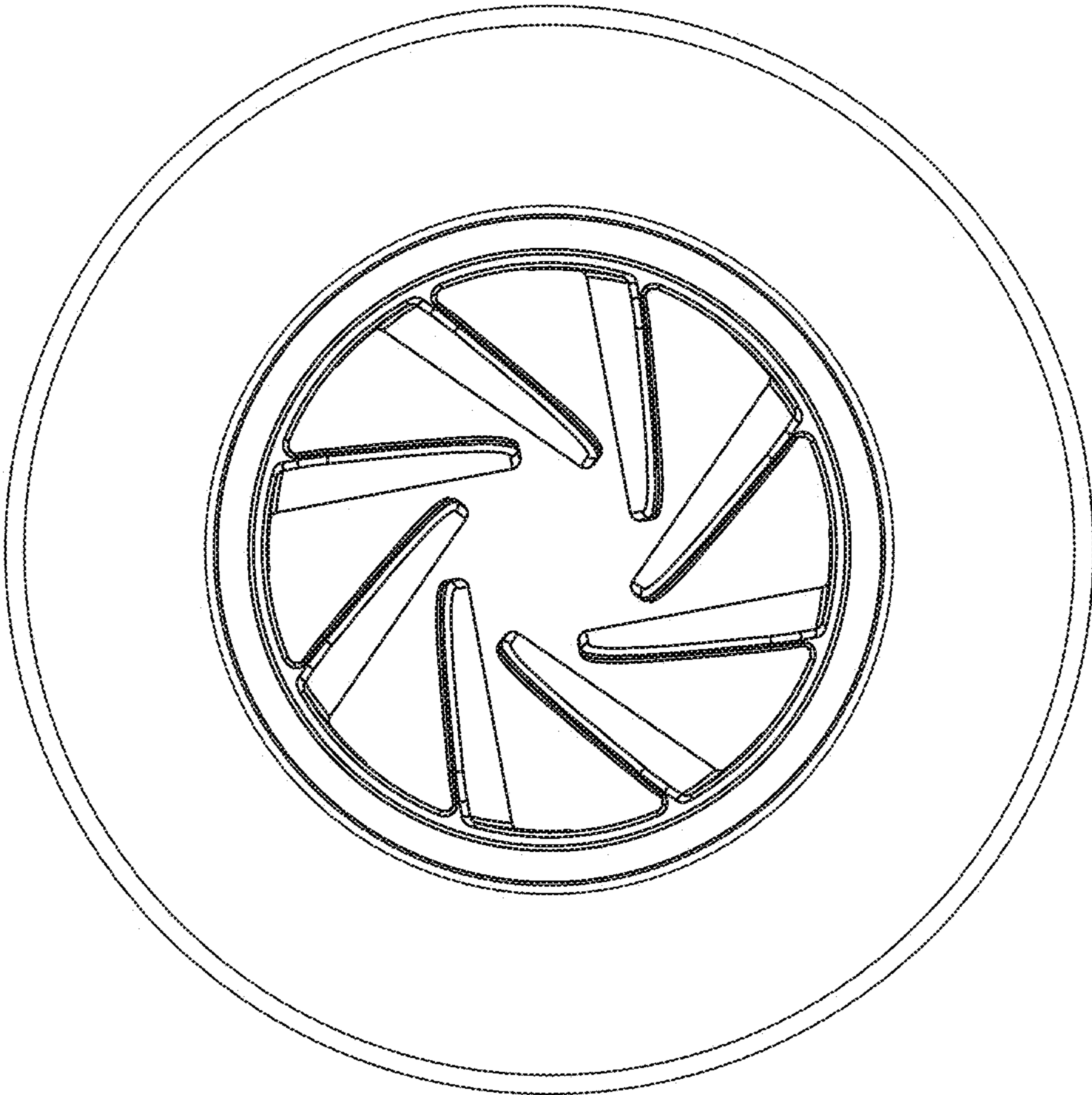


FIG .2

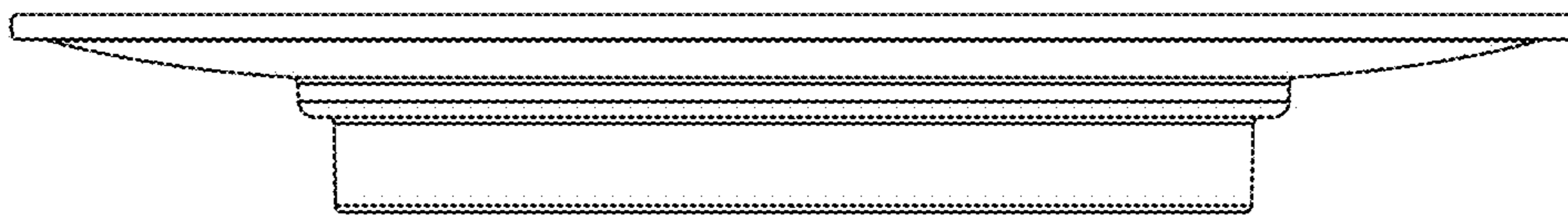


FIG .3

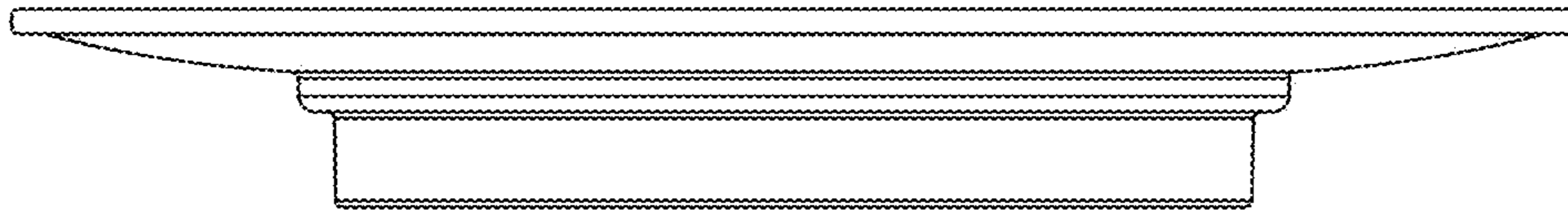


FIG .4

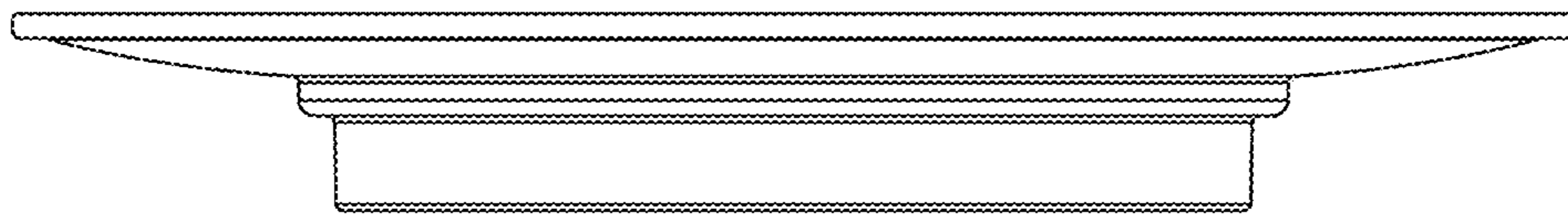


FIG .5

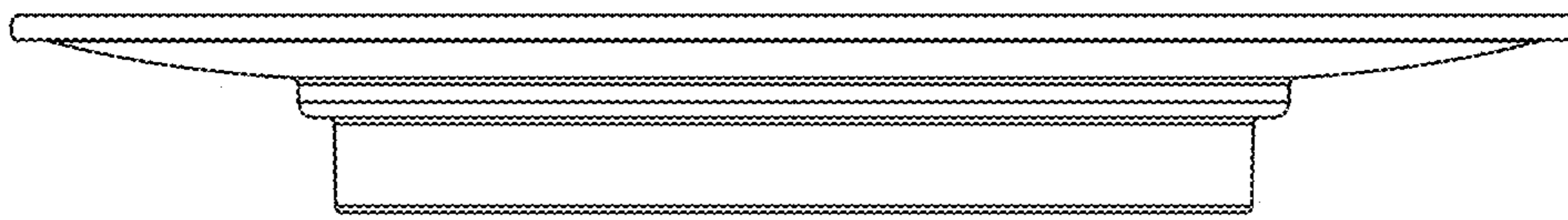


FIG .6

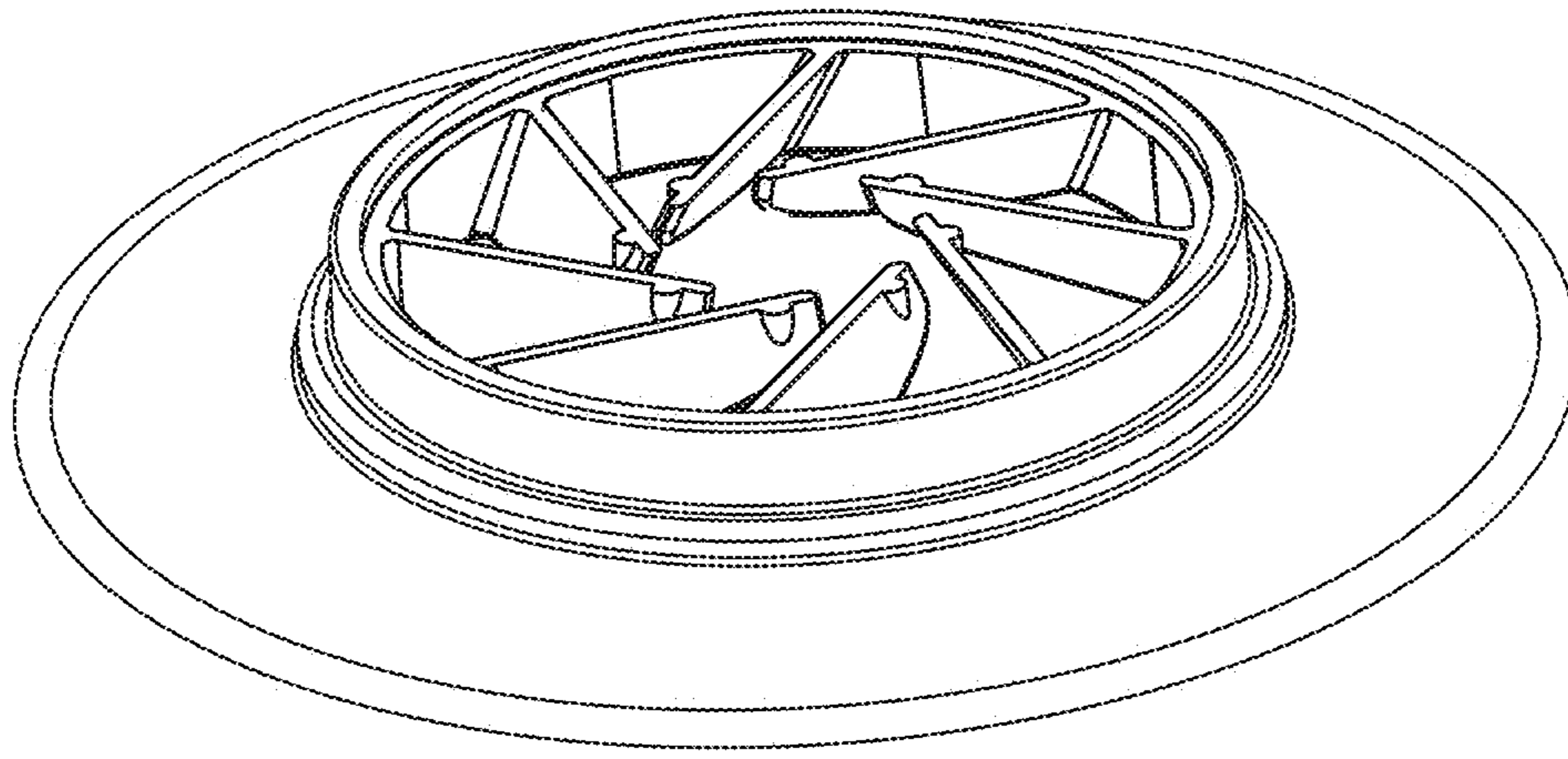


FIG .7