



US00D718873S

(12) **United States Design Patent**
Davis et al.

(10) **Patent No.:** **US D718,873 S**
(45) **Date of Patent:** **** Dec. 2, 2014**

(54) **SAMPLE CASSETTE FOR A DIAGNOSTIC INSTRUMENT**

(71) Applicant: **Wellstat Diagnostics, LLC,**
Gaitherburg, MD (US)

(72) Inventors: **Charles Quentin Davis,** Frederick, MD (US); **Michael D. Nelson,** Seattle, WA (US); **Joseph N. K. Ullman,** Seattle, WA (US); **Nadine Wohlstadter,** Madison, VA (US); **Richard Cook,** Derwood, MD (US)

(73) Assignee: **Wellstat Diagnostics, LLC,**
Gaithersburg, MD (US)

(**) Term: **14 Years**

(21) Appl. No.: **29/473,088**

(22) Filed: **Nov. 19, 2013**

Related U.S. Application Data

(62) Division of application No. 29/420,967, filed on May 15, 2012, now Pat. No. Des. 700,355.

(51) **LOC (10) Cl.** **24-01**

(52) **U.S. Cl.**
USPC **D24/225; D24/216**

(58) **Field of Classification Search**
USPC D24/216, 223, 224, 225, 226, 186;
D10/81; 435/288.7, 308.1, 287.1,
435/287.3, 288.3; 422/547, 549, 500, 556,
422/557, 554, 565, 68.1
See application file for complete search history.

(56) **References Cited**

U.S. PATENT DOCUMENTS

D269,548 S * 6/1983 Sarrine et al. D24/232
4,929,426 A * 5/1990 Bodai et al. 422/63

5,470,758 A * 11/1995 Hayes 422/535
D367,109 S * 2/1996 Ryner et al. D24/224
D409,758 S * 5/1999 Warden et al. D24/216
D438,633 S * 3/2001 Miller D24/224
6,861,259 B2 * 3/2005 Columbus 422/547
7,771,889 B2 * 8/2010 Cho et al. 429/513
D706,930 S * 6/2014 Lin et al. D24/162
2008/0153096 A1 * 6/2008 Witty et al. 435/287.1
2010/0120083 A1 * 5/2010 Ritzen et al. 435/287.1
2011/0312535 A1 * 12/2011 Gohring et al. 506/12

* cited by examiner

Primary Examiner — Anhdao Doan

(74) *Attorney, Agent, or Firm* — Finnegan, Henderson, Farabow, Garrett & Dunner, LLP

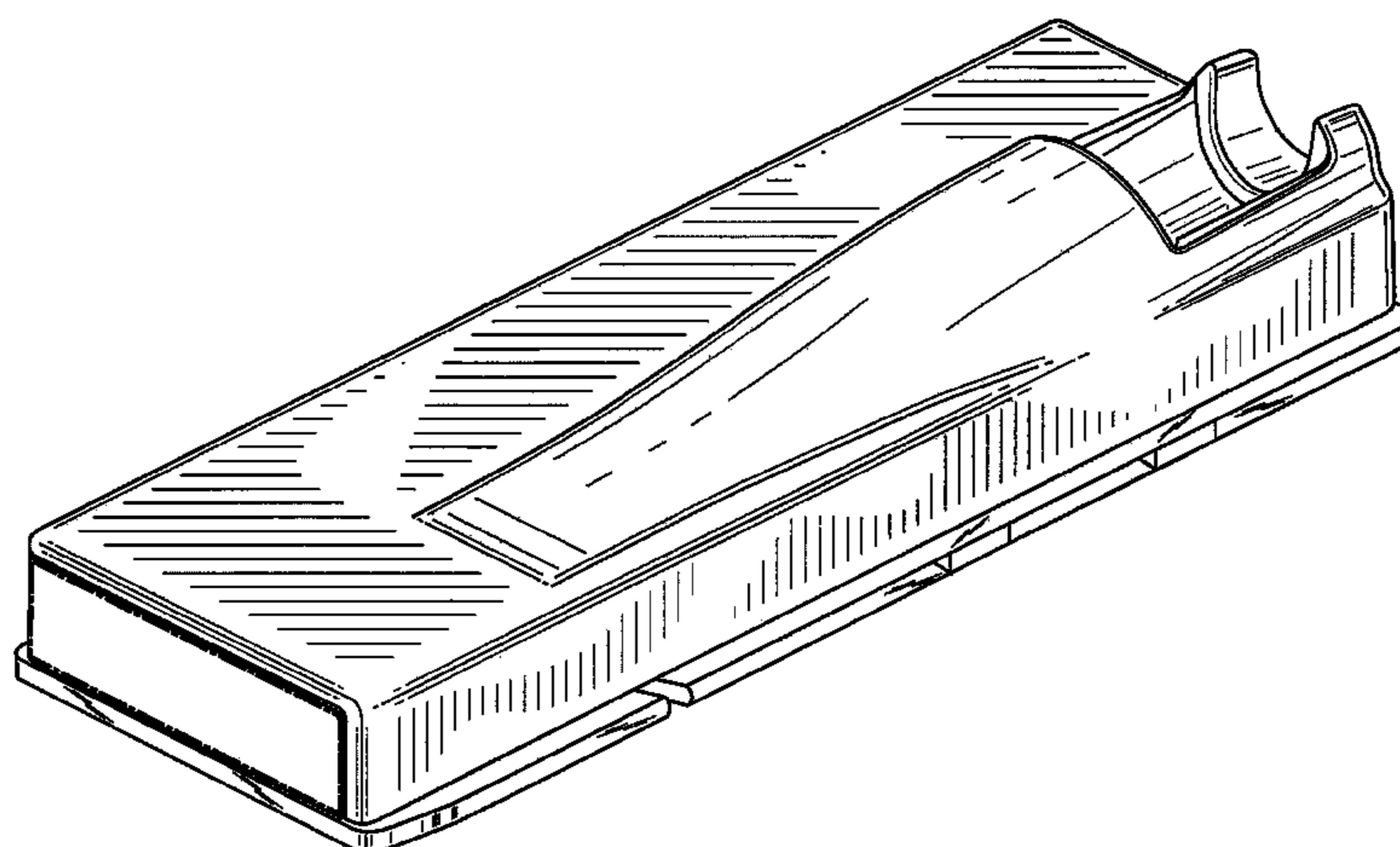
(57) **CLAIM**

The ornamental design for a sample cassette for a diagnostic instrument, as shown and described.

DESCRIPTION

FIG. 1 is a left rear perspective view of a sample cassette for a diagnostic instrument showing our new design, where the top portion is optically opaque and the bottom portion is optically transparent;
FIG. 2 is a left front perspective view thereof;
FIG. 3 is a top plan view thereof;
FIG. 4 is a right side elevation view thereof;
FIG. 5 is a left side elevation view thereof;
FIG. 6 is a rear view thereof;
FIG. 7 is a front view thereof;
FIG. 8 is a right rear perspective view thereof; and,
FIG. 9 is a right front perspective view thereof.
The bottom view is plain and unornamented and is not part of the claimed design. The broken lines of uneven length define the boundary of the claimed design.

1 Claim, 7 Drawing Sheets



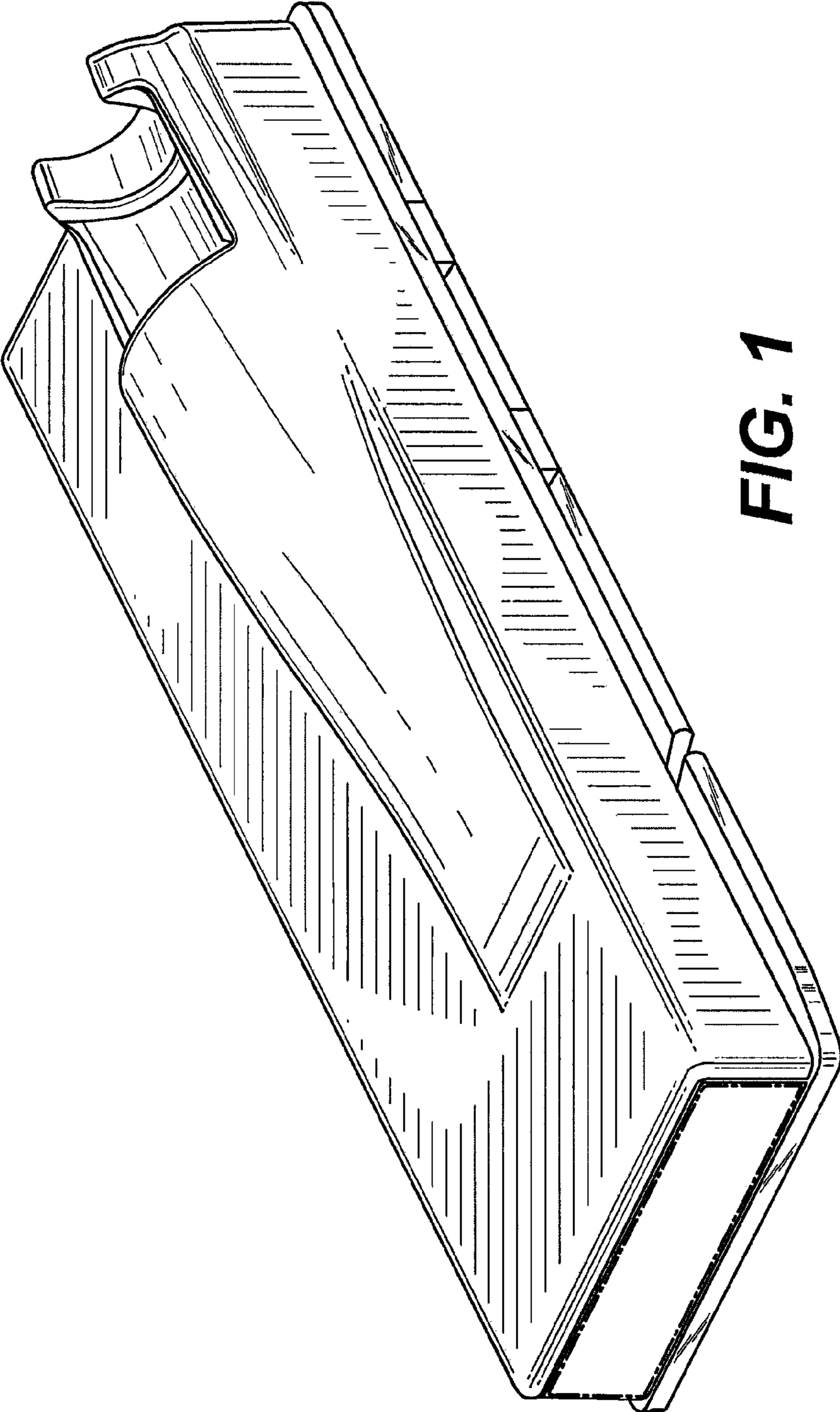


FIG. 1

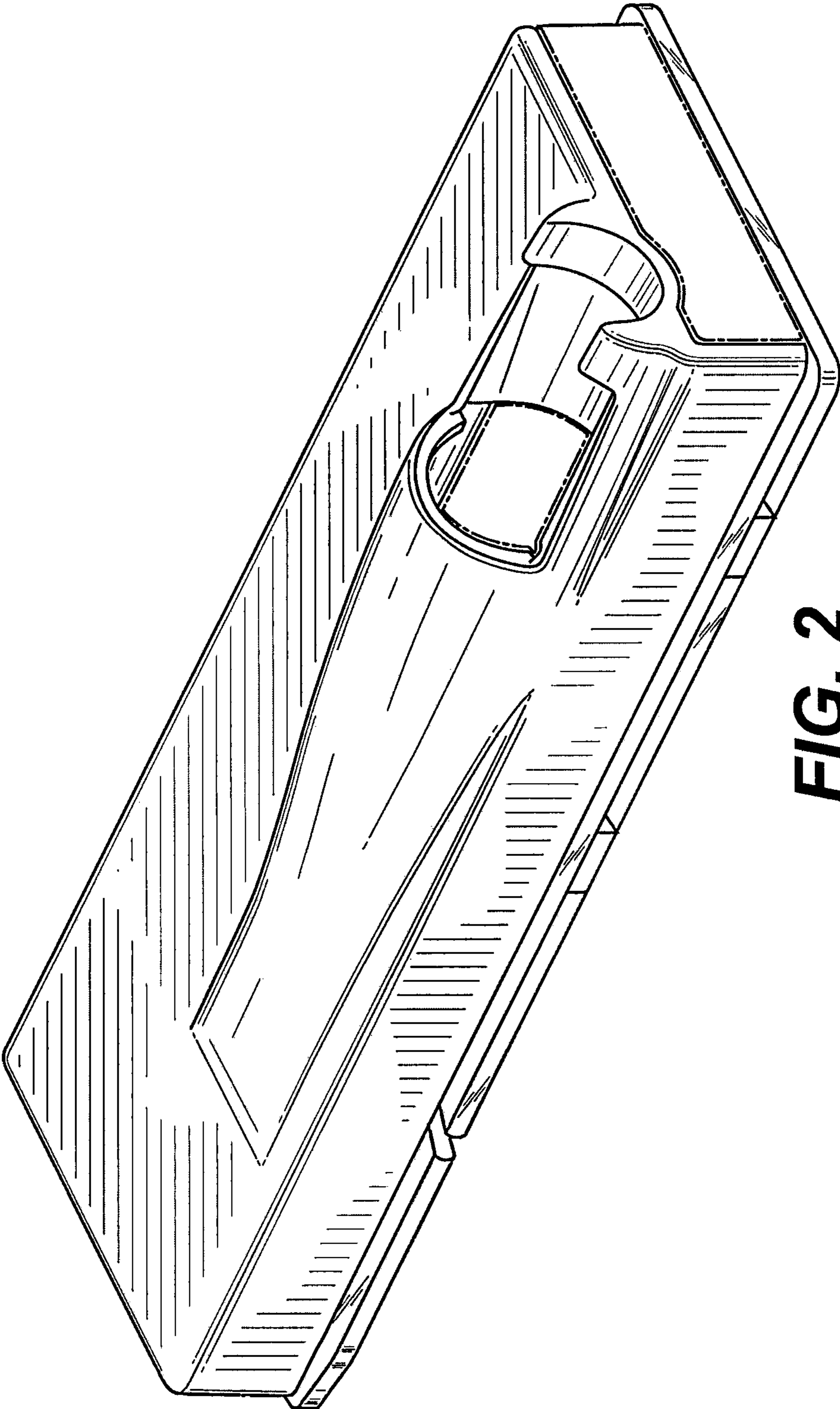


FIG. 2

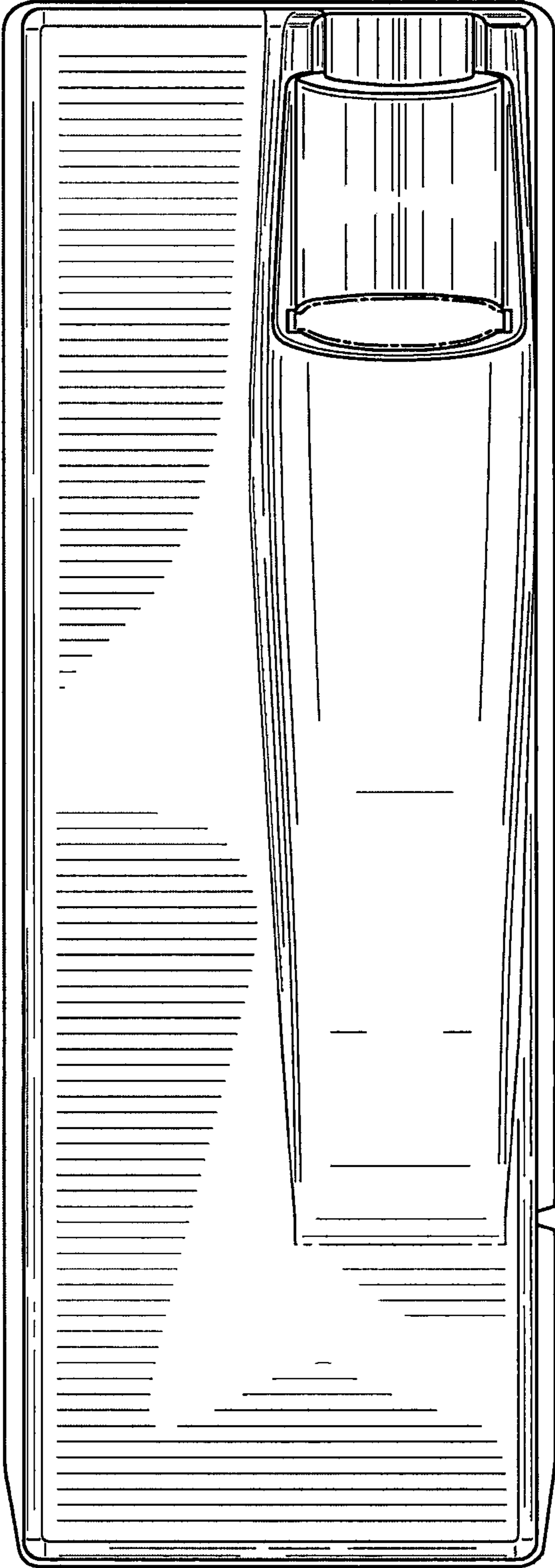


FIG. 3

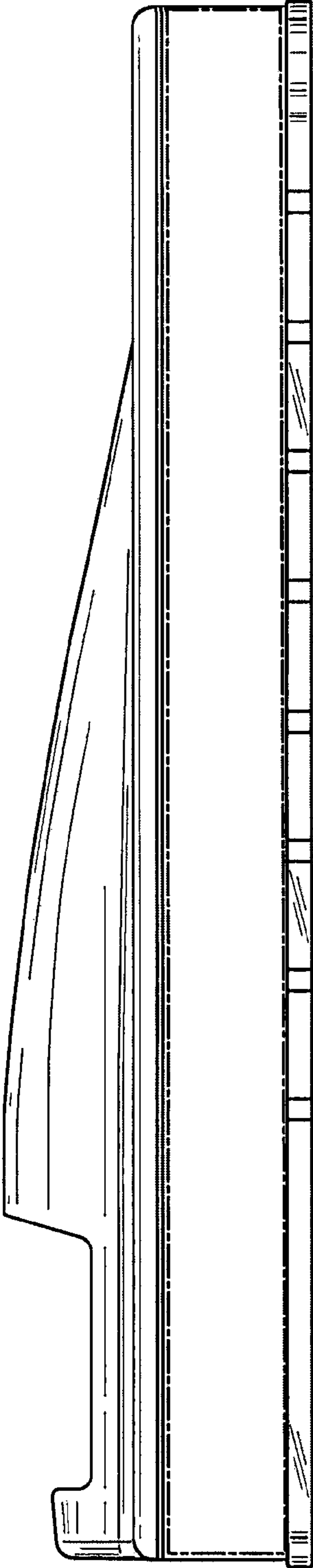


FIG. 4



FIG. 5

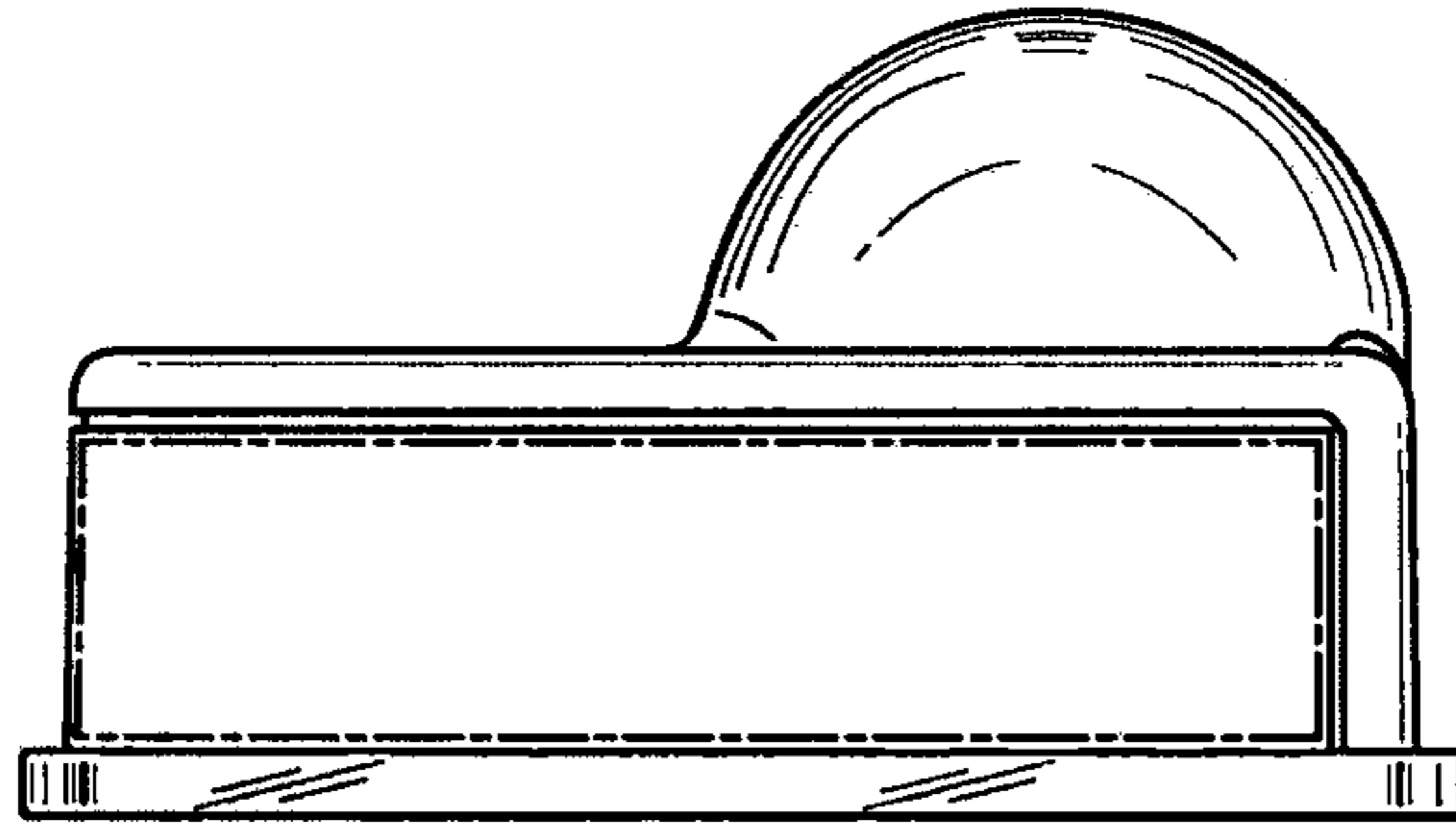


FIG. 6

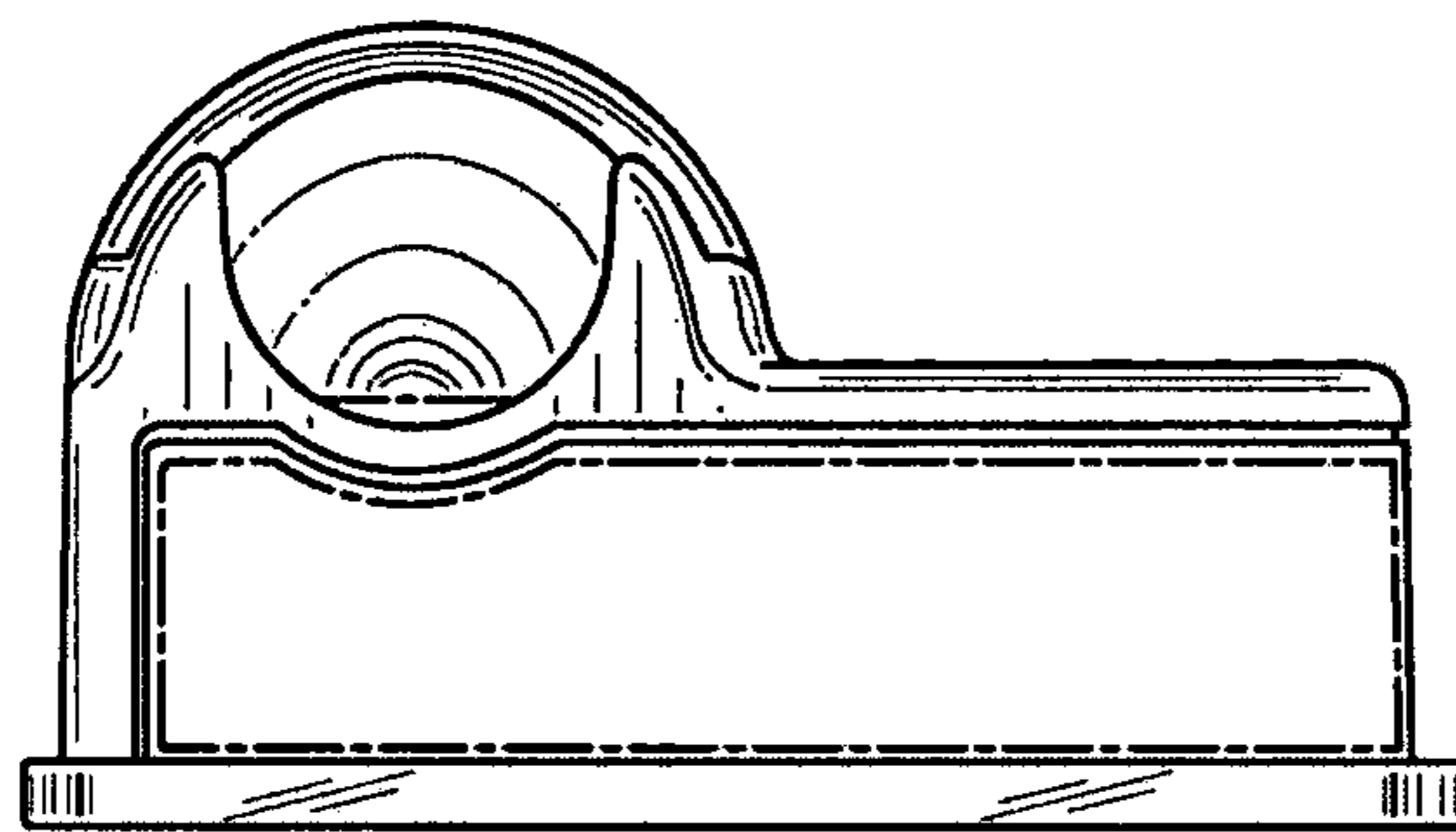


FIG. 7

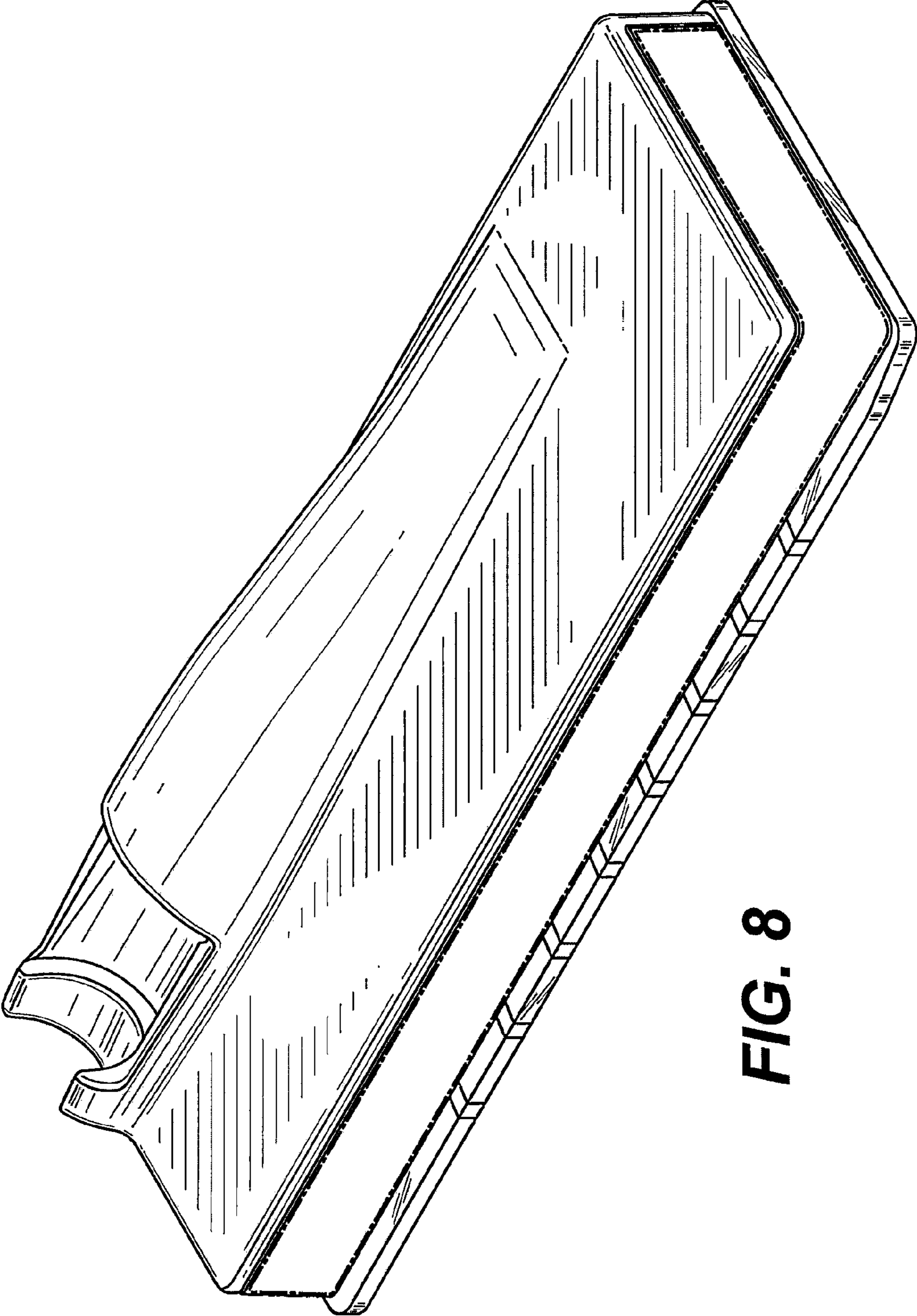


FIG. 8

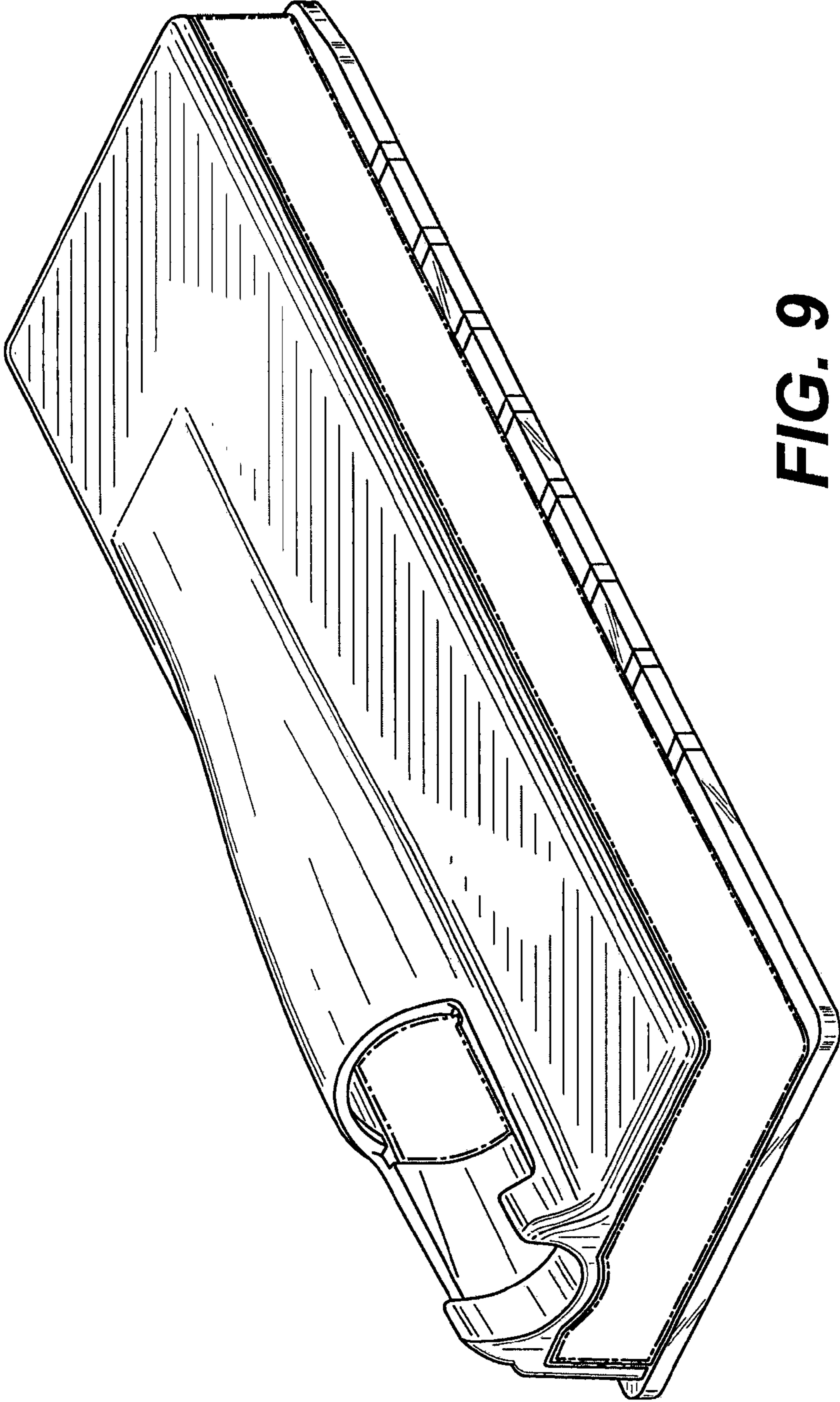


FIG. 9