



US00D718872S

(12) **United States Design Patent**
Davis et al.

(10) **Patent No.:** **US D718,872 S**

(45) **Date of Patent:** **** Dec. 2, 2014**

(54) **SAMPLE CASSETTE FOR A DIAGNOSTIC INSTRUMENT**

(71) Applicant: **Wellstat Diagnostics, LLC**,
Gaithersburg, MD (US)

(72) Inventors: **Charles Quentin Davis**, Frederick, MD (US); **Michael D. Nelson**, Seattle, WA (US); **Joseph N. K. Ullman**, Seattle, WA (US); **Nadine Wohlstadter**, Madison, VA (US); **Richard Cook**, Derwood, MD (US)

(73) Assignee: **Wellstat Diagnostics, LLC**,
Gaithersburg, MD (US)

(**) Term: **14 Years**

(21) Appl. No.: **29/472,908**

(22) Filed: **Nov. 18, 2013**

Related U.S. Application Data

(62) Division of application No. 29/420,961, filed on May 15, 2012, now Pat. No. Des. 697,226.

(51) **LOC (10) Cl.** **24-01**

(52) **U.S. Cl.**
USPC **D24/225**; D24/216

(58) **Field of Classification Search**
USPC D24/216, 223, 224, 225, 226, 186;
D10/81; 435/288.7, 308.1, 287.1,
435/287.3, 288.3; 422/547, 549, 500, 556,
422/557, 554, 565, 68.1

See application file for complete search history.

(56) **References Cited**

U.S. PATENT DOCUMENTS

D269,548	S	*	6/1983	Sarrine et al.	D24/232
4,929,426	A	*	5/1990	Bodai et al.	422/63
5,470,758	A	*	11/1995	Hayes	422/535
D367,109	S	*	2/1996	Ryner et al.	D24/224
D409,758	S	*	5/1999	Warden et al.	D24/216
D438,633	S	*	3/2001	Miller	D24/224
6,861,259	B2	*	3/2005	Columbus	422/547
7,771,889	B2	*	8/2010	Cho et al.	429/513
D706,930	S	*	6/2014	Lin et al.	D24/162
2008/0153096	A1	*	6/2008	Witty et al.	435/287.1
2010/0120083	A1	*	5/2010	Ritzen et al.	435/287.1
2011/0312535	A1	*	12/2011	Gohring et al.	506/12

* cited by examiner

Primary Examiner — Anhdao Doan

(74) *Attorney, Agent, or Firm* — Finnegan, Henderson, Farabow, Garrett & Dunner, LLP

(57) **CLAIM**

The ornamental design for a sample cassette for a diagnostic instrument, as shown and described.

DESCRIPTION

FIG. 1 is a right rear perspective view of a sample cassette for a diagnostic instrument showing our new design, where the top portion is optically opaque and the bottom portion is optically transparent;

FIG. 2 is a front right perspective view thereof;

FIG. 3 is a top plan view thereof;

FIG. 4 is a left side elevation view thereof;

FIG. 5 is a right side elevation view thereof;

FIG. 6 is a rear view thereof;

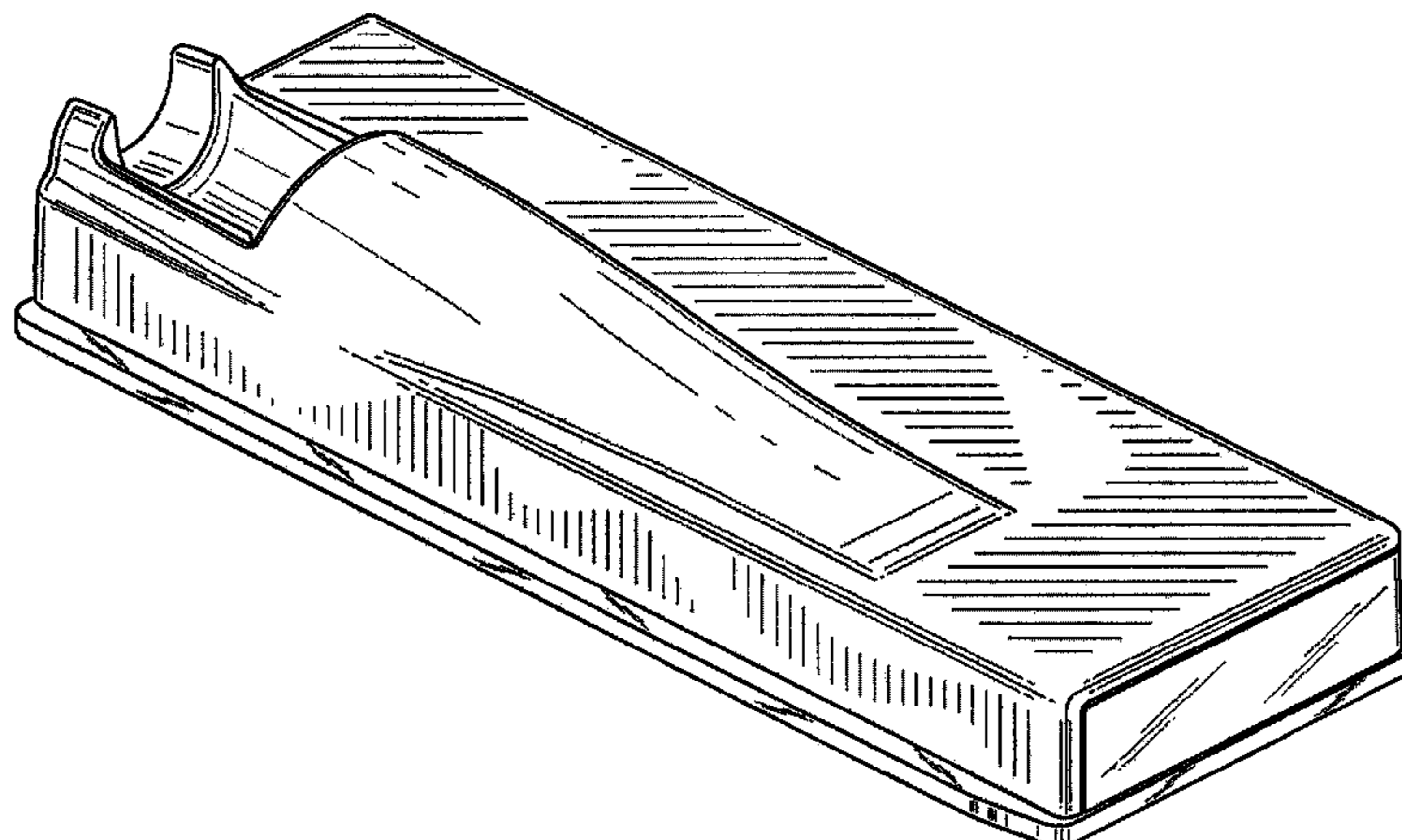
FIG. 7 is a front view thereof;

FIG. 8 is a left rear perspective view thereof; and,

FIG. 9 is a left front perspective view thereof.

The bottom view is plain and unornamented and is not part of the claimed design.

1 Claim, 7 Drawing Sheets



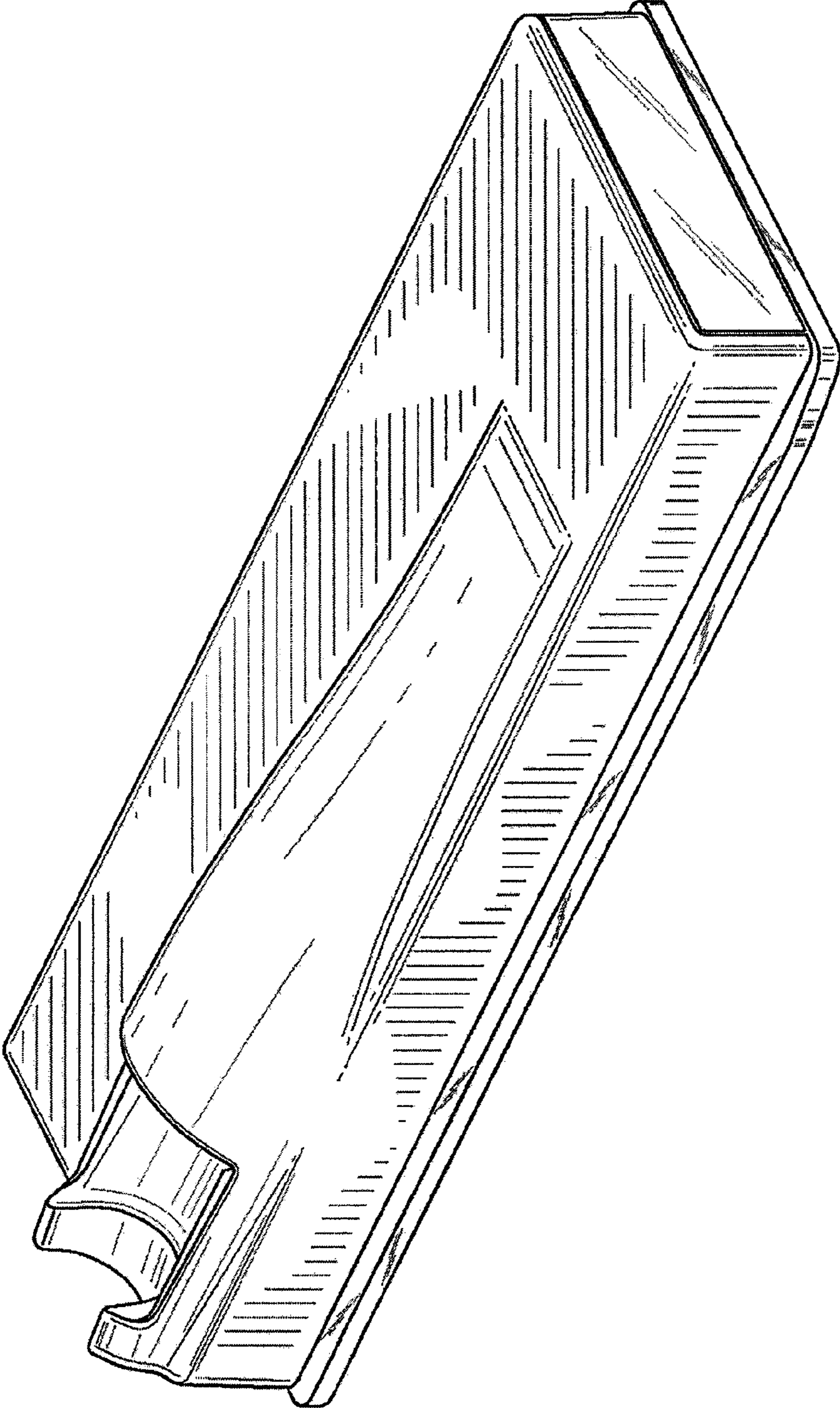


FIG. 1

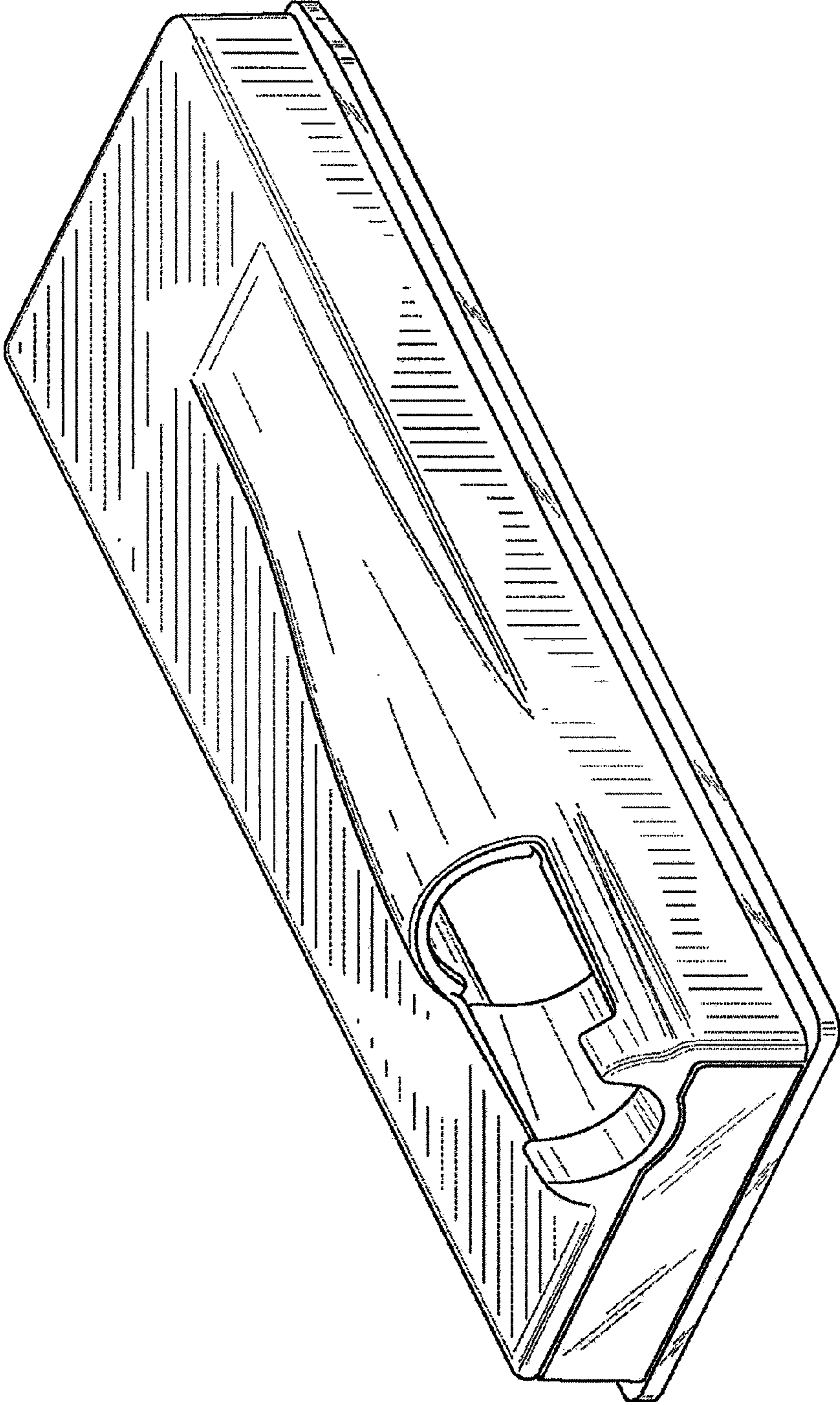


FIG. 2

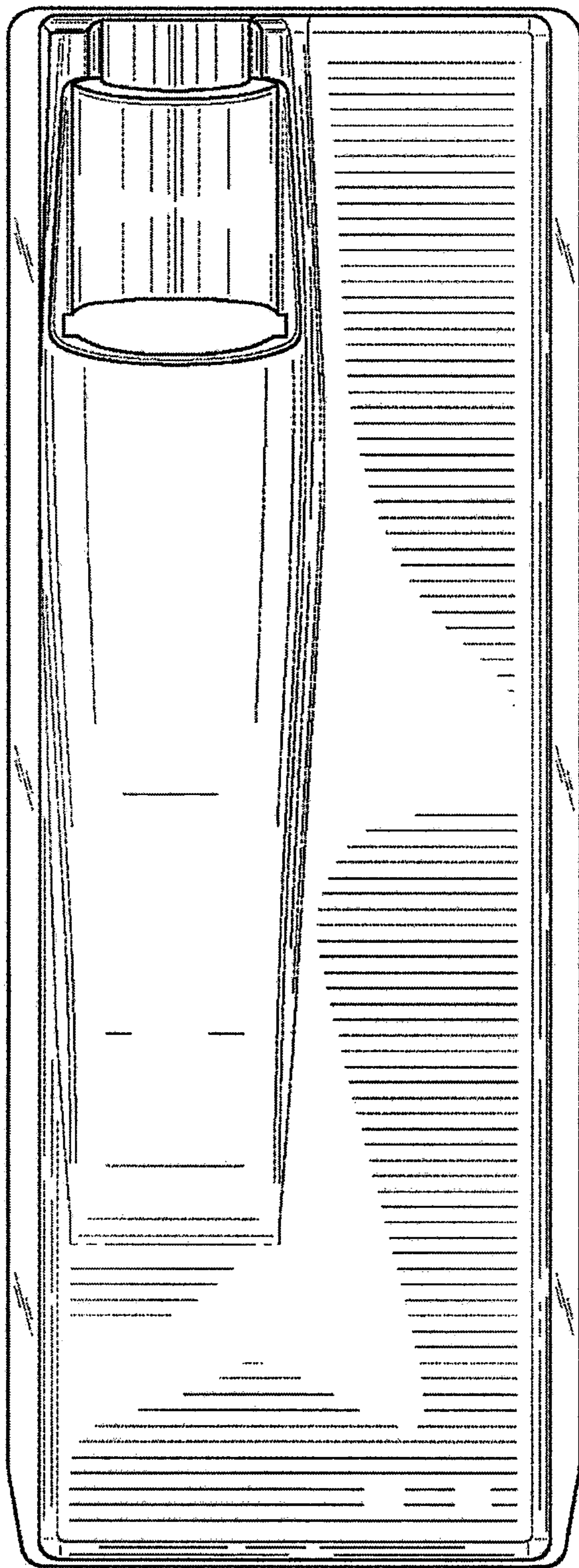


FIG. 3

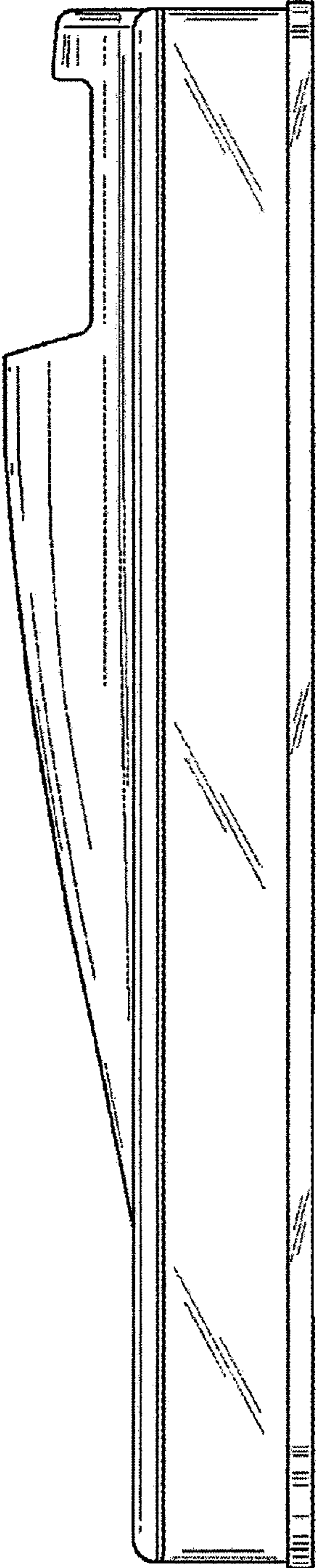


FIG. 4

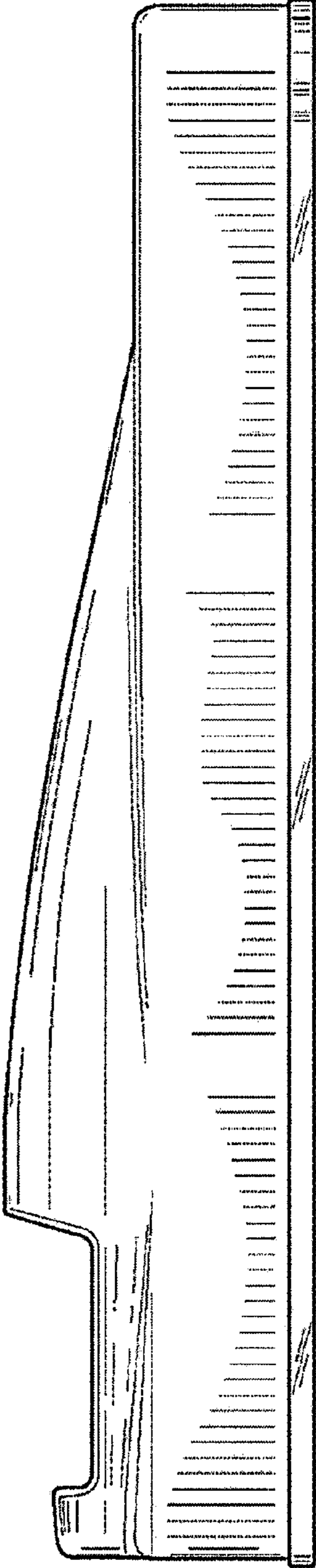


FIG. 5

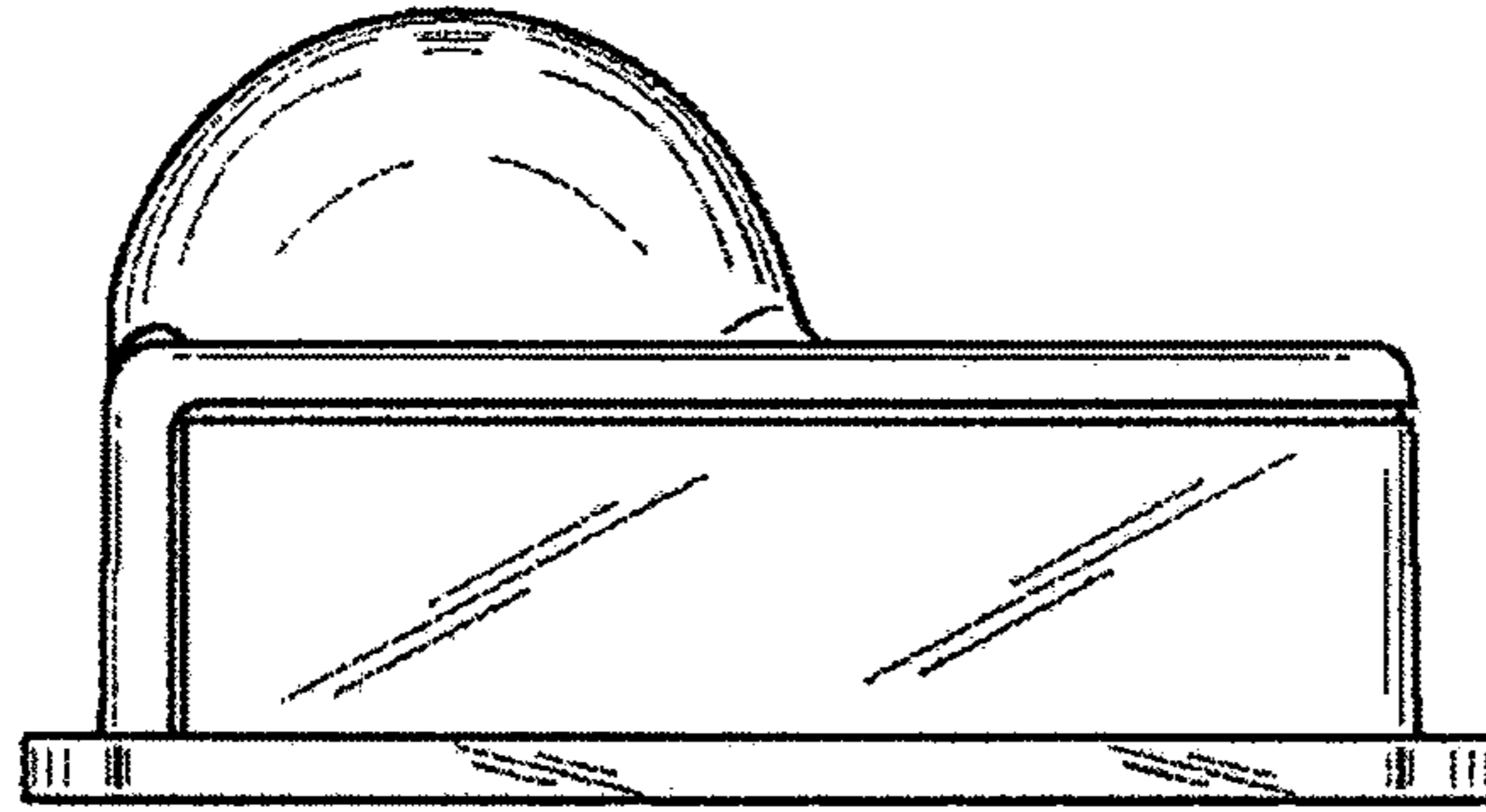


FIG. 6

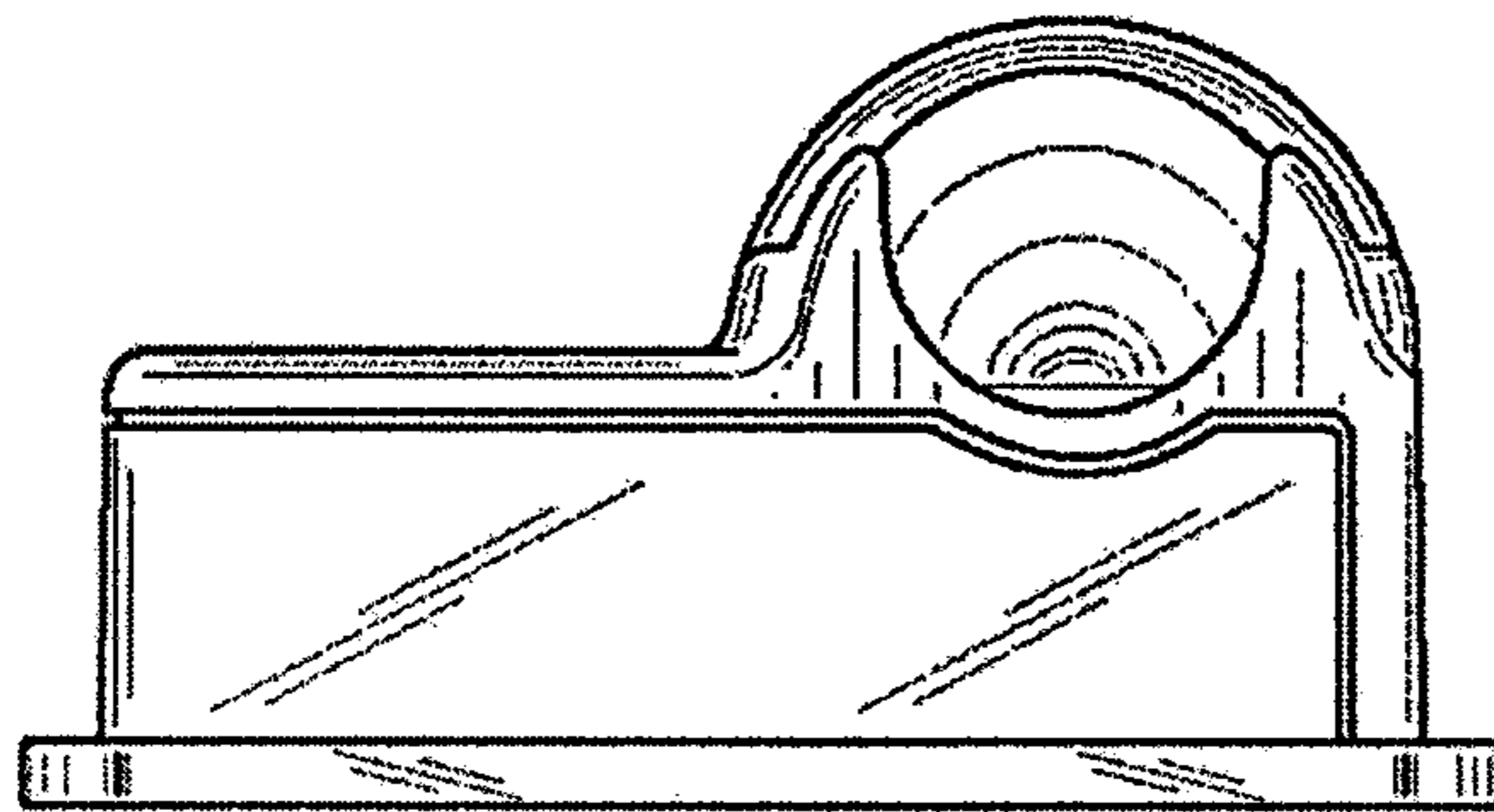


FIG. 7

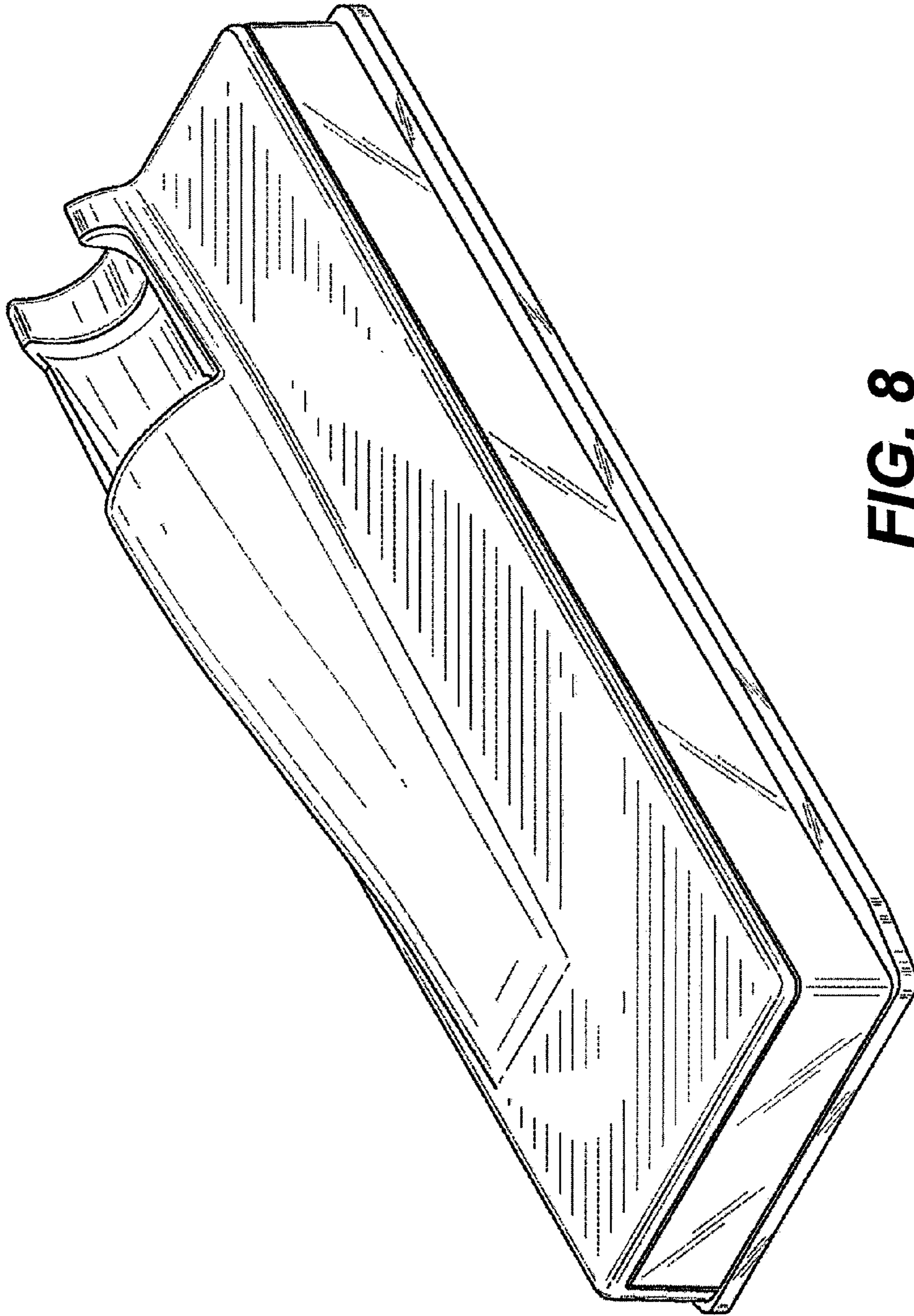


FIG. 8

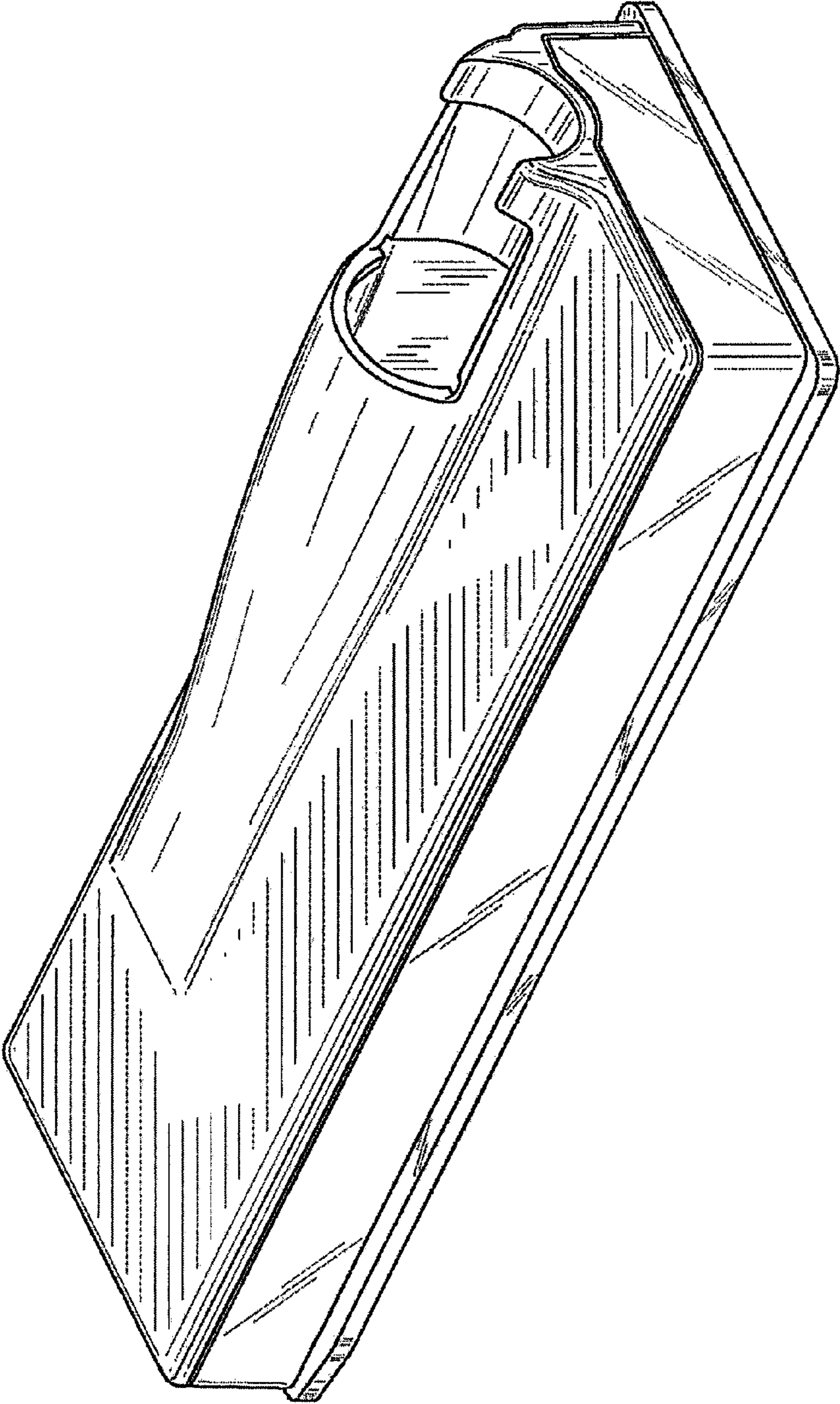


FIG. 9