



US00D718871S

(12) **United States Design Patent**
Galbraith et al.

(10) **Patent No.:** **US D718,871 S**

(45) **Date of Patent:** **** Dec. 2, 2014**

(54) **CARTRIDGE FILLING DEVICE**

(75) Inventors: **Sofia Elisabeth Galbraith**, Solothurn (CH); **Simon Scheurer**, Bern (CH); **Olivia Lepore**, Bern (CH); **Thomas James Moy**, Bristol (GB)

(73) Assignee: **Roche Diagnostics International AG**, Rotkreuz (CH)

(**) Term: **14 Years**

(21) Appl. No.: **29/412,517**

(22) Filed: **Feb. 3, 2012**

(30) **Foreign Application Priority Data**

Aug. 3, 2011 (CH) 00621

(51) **LOC (10) Cl.** **24-01**

(52) **U.S. Cl.**
USPC **D24/224**

(58) **Field of Classification Search**

USPC D24/121, 216, 223, 224, 225, 226, 227, D24/229, 230, 231, 232; D10/81; D9/523, D9/528, 531; 422/500, 547, 565, 556, 558; 215/306, 235, 237, 236, 343; 206/305, 206/219; 220/836, 839; D3/201, 203.1, D3/203.2; 222/212, 420

See application file for complete search history.

(56) **References Cited**

U.S. PATENT DOCUMENTS

D257,289 S * 10/1980 Akimov et al. D24/224
D279,453 S * 7/1985 Beechuk et al. D9/520
D326,228 S * 5/1992 Stratford et al. D9/521
D347,173 S * 5/1994 Bogstad et al. D9/528
D376,208 S * 12/1996 Rasmussen et al. D24/224
5,683,658 A * 11/1997 Reischl et al. 422/556
D395,517 S * 6/1998 Treu et al. D24/224

D407,826 S * 4/1999 Yamazaki et al. D24/224
D482,793 S * 11/2003 Oyama et al. D24/224
D482,794 S * 11/2003 Whitley D24/224
D502,268 S * 2/2005 Sakai et al. D24/224
D566,290 S * 4/2008 Parmer et al. D24/224
D656,622 S * 3/2012 Gasser et al. D24/224

OTHER PUBLICATIONS

Co-pending Design U.S. Appl. No. 29/412,521, Galbraith et al., "Infusion Pump Device," filed Feb. 3, 2012.

Co-pending Design U.S. Appl. No. 29/412,522, Galbraith et al., "Pump Adapter," filed Feb. 3, 2012.

* cited by examiner

Primary Examiner — Anhdao Doan

(74) *Attorney, Agent, or Firm* — Pauley Petersen & Erickson

(57) **CLAIM**

The ornamental design for a cartridge filling device, as shown and described.

DESCRIPTION

FIG. 1 is a perspective view of a cartridge filling device, according to one preferred embodiment of the invention;

FIG. 2 is a right side view of the cartridge filling device shown in FIG. 1;

FIG. 3 is a back view of the cartridge filling device shown in FIG. 1;

FIG. 4 is a front view of the cartridge filling device shown in FIG. 1;

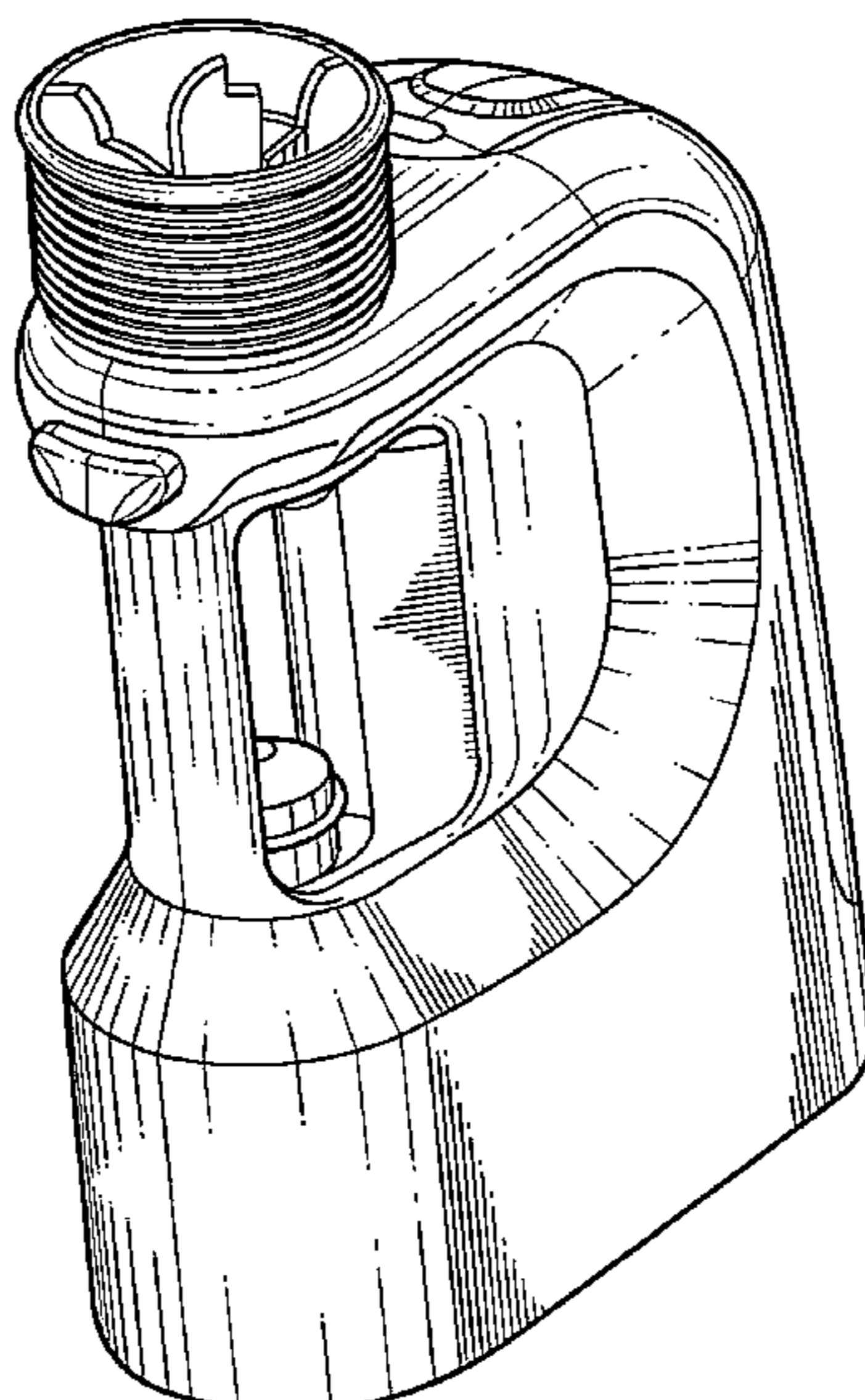
FIG. 5 is a left side view of the cartridge filling device shown in FIG. 1;

FIG. 6 is a bottom view of the cartridge filling device shown in FIG. 1; and,

FIG. 7 is a top view of the cartridge filling device shown in FIG. 1.

The broken lines represent unclaimed portions of the cartridge filling device and form no part of the claimed design.

1 Claim, 7 Drawing Sheets



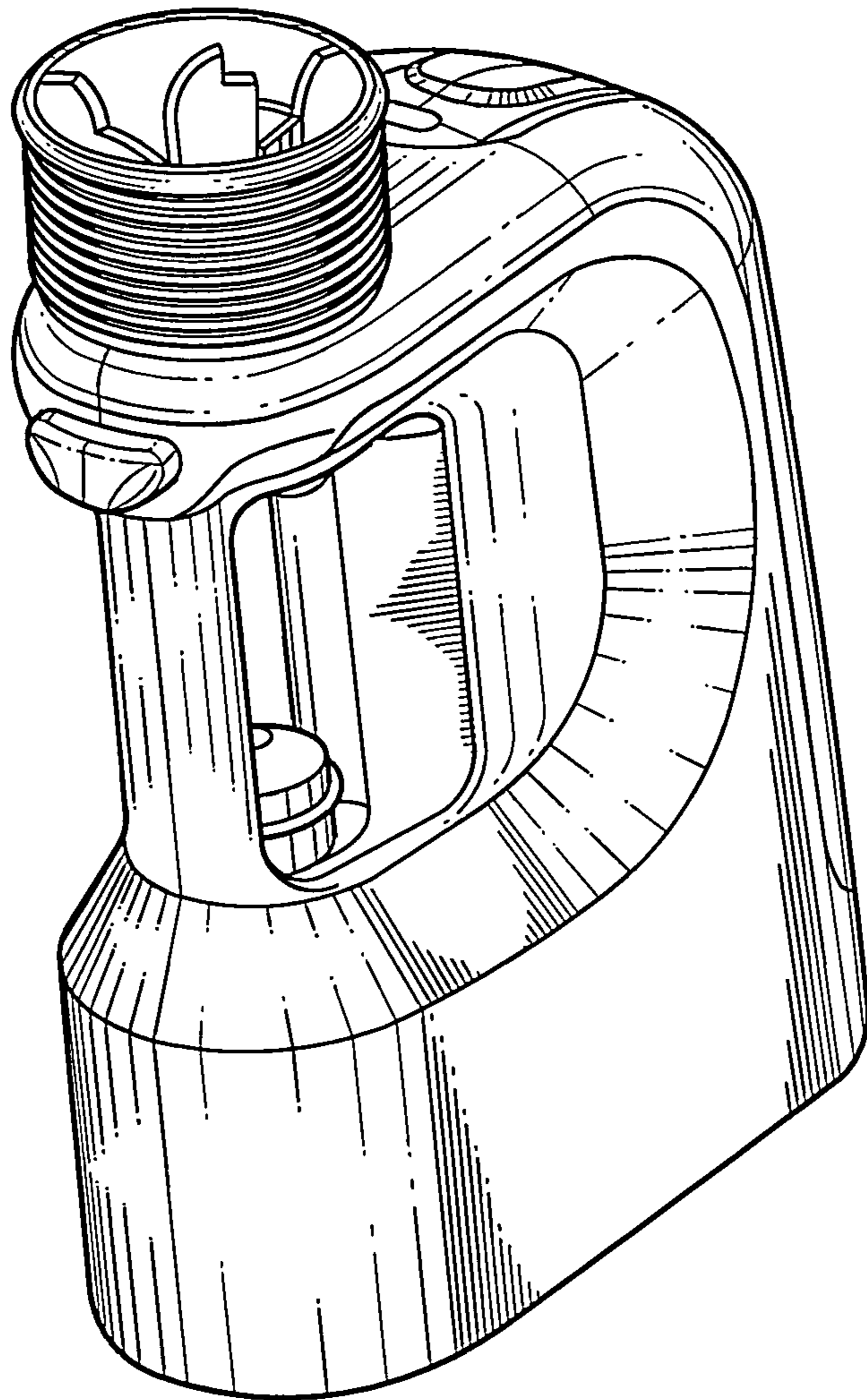


FIG. 1

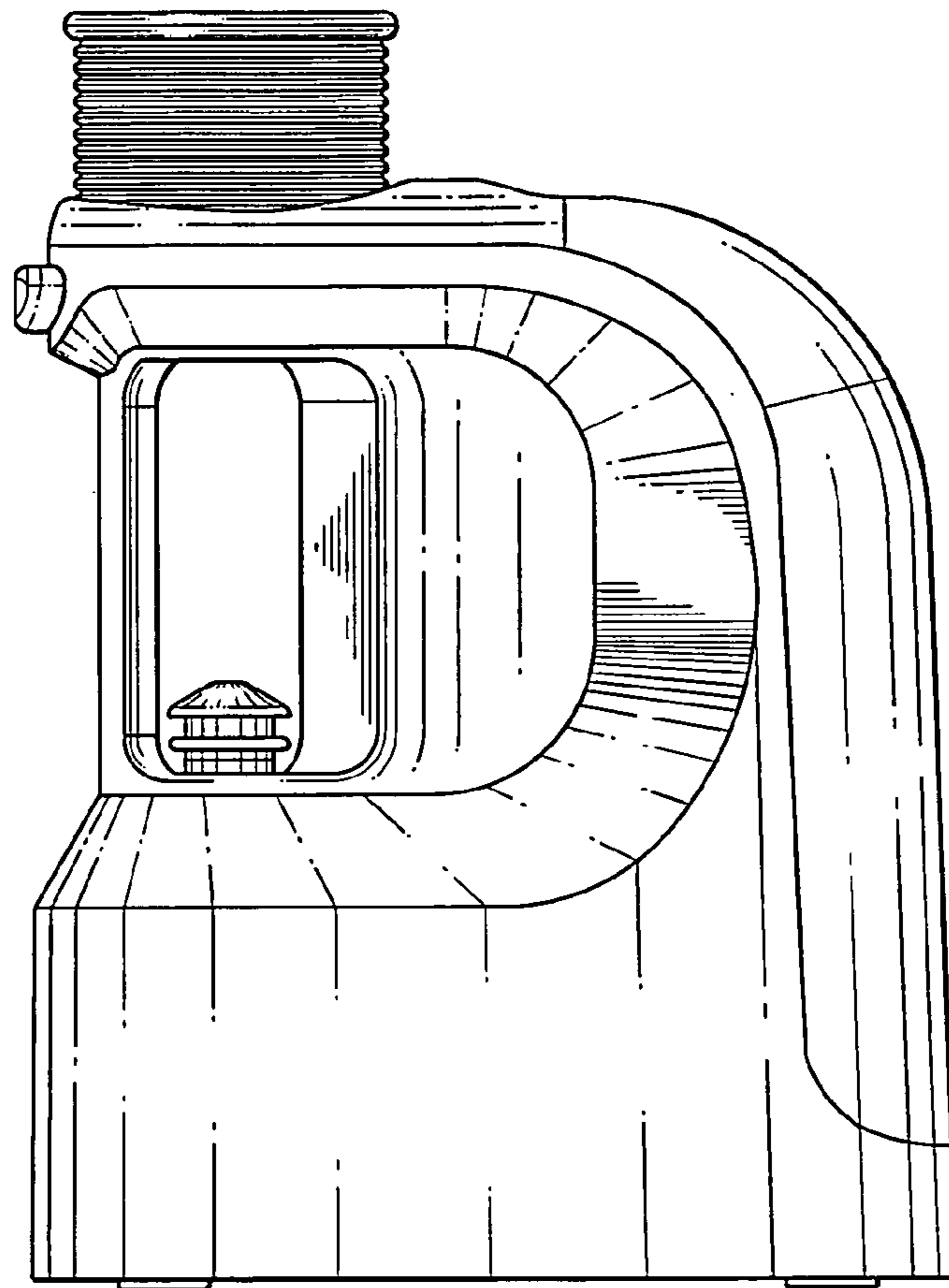


FIG. 2

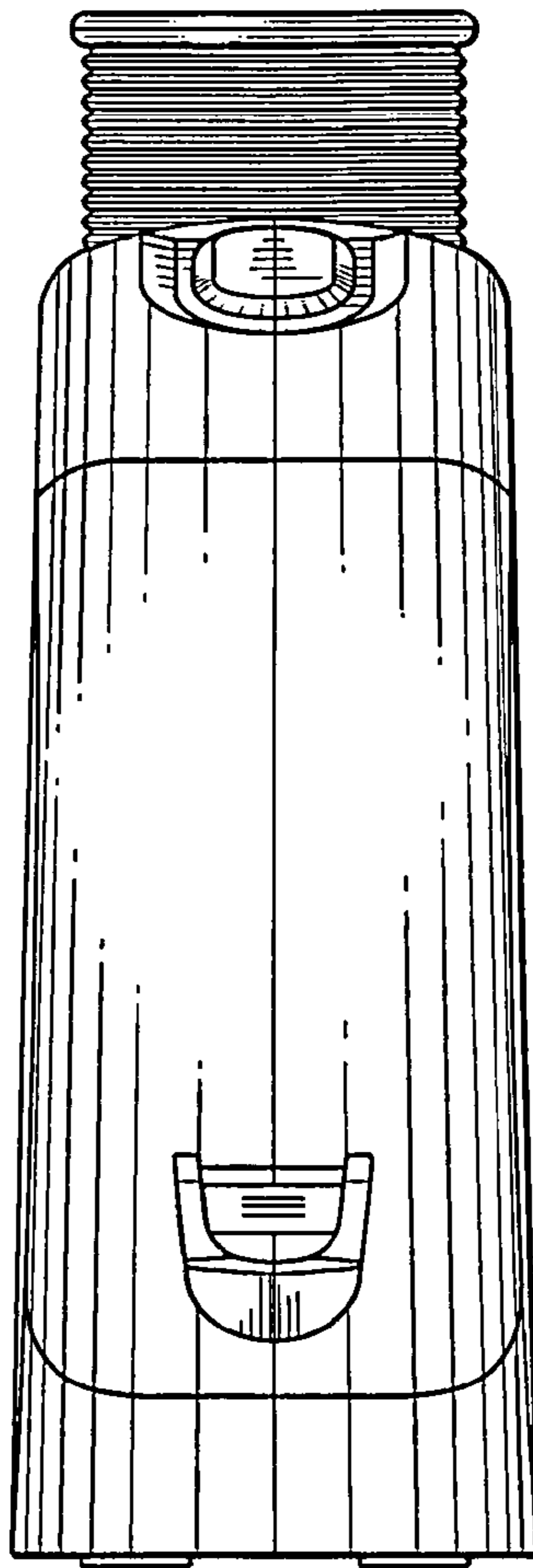


FIG. 3

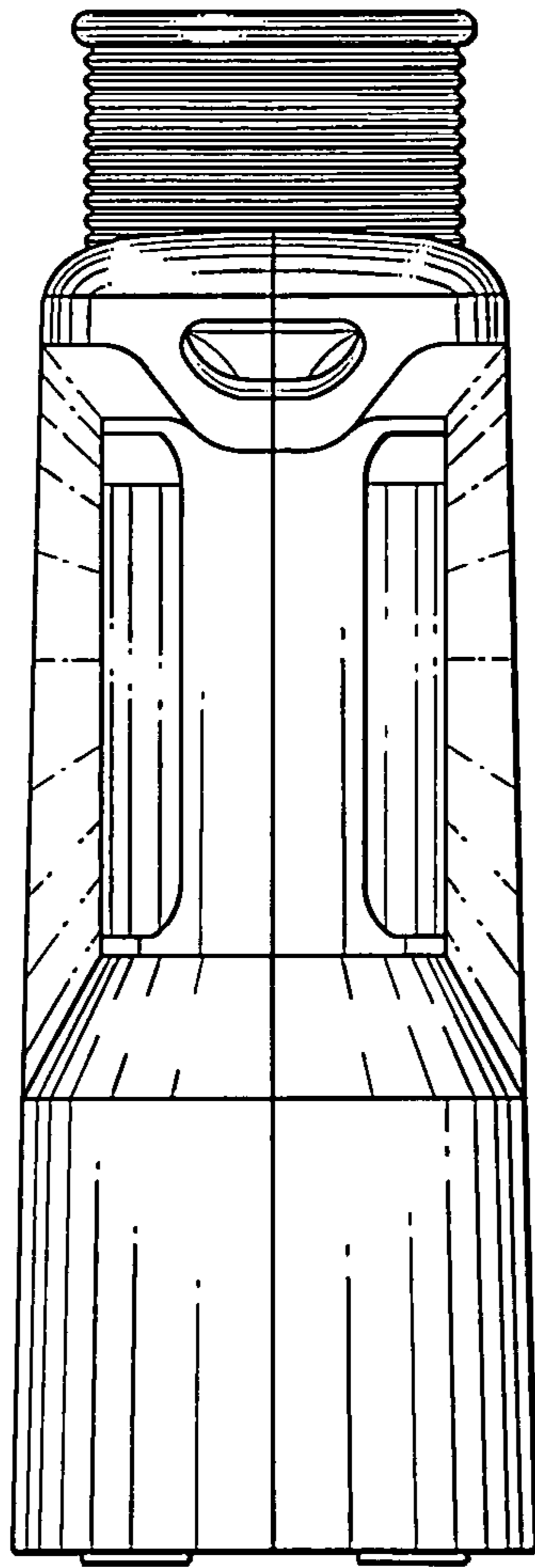


FIG. 4

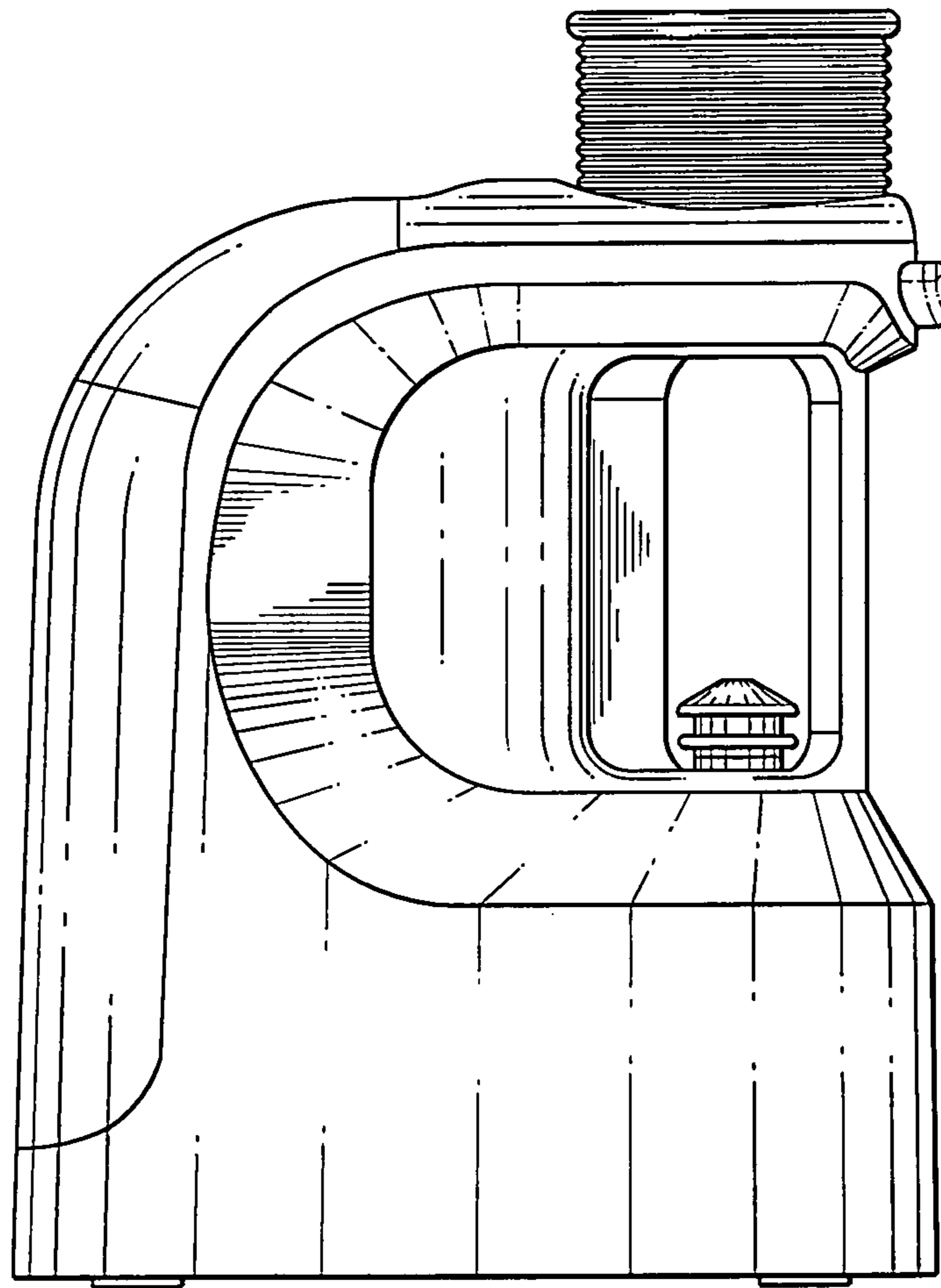


FIG. 5

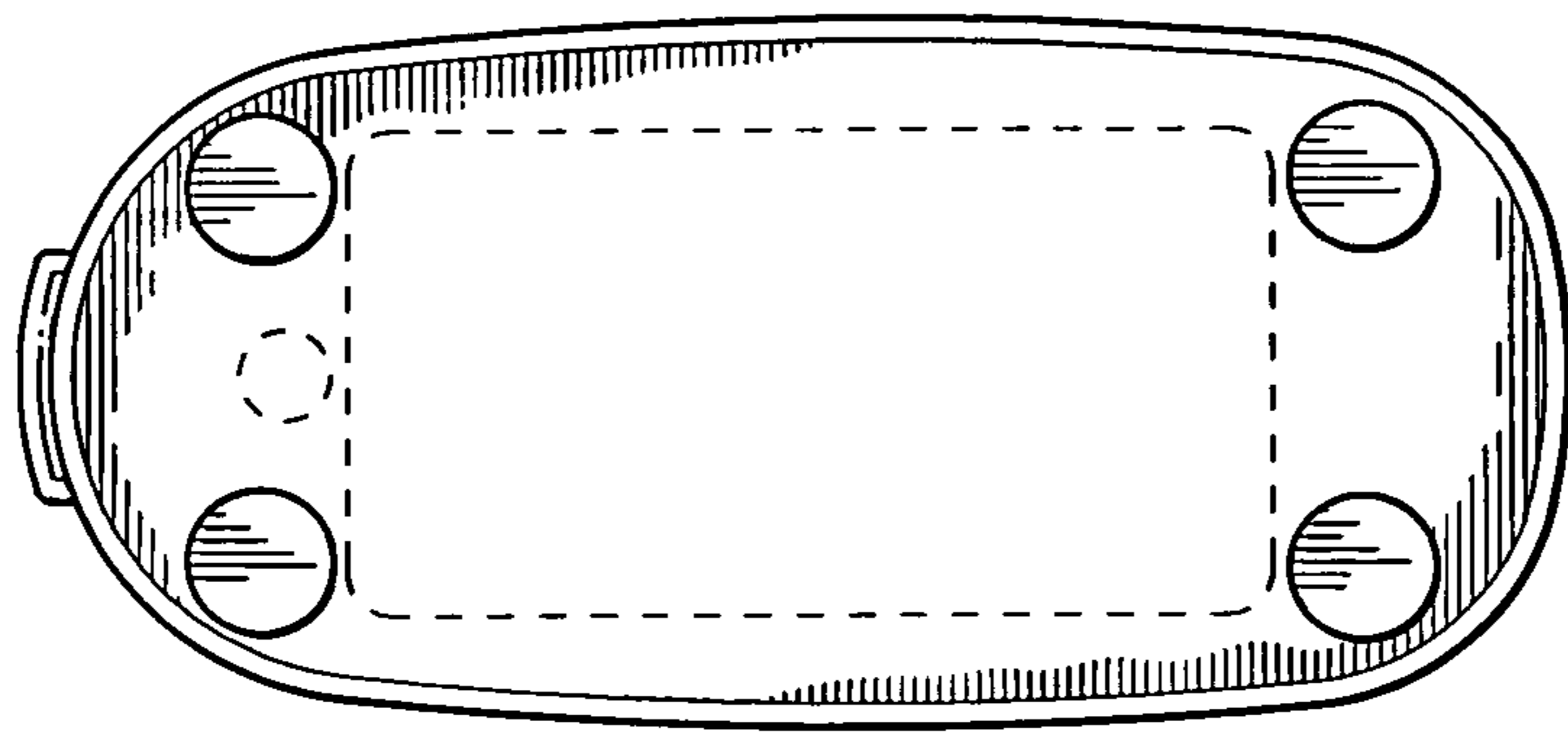


FIG. 6

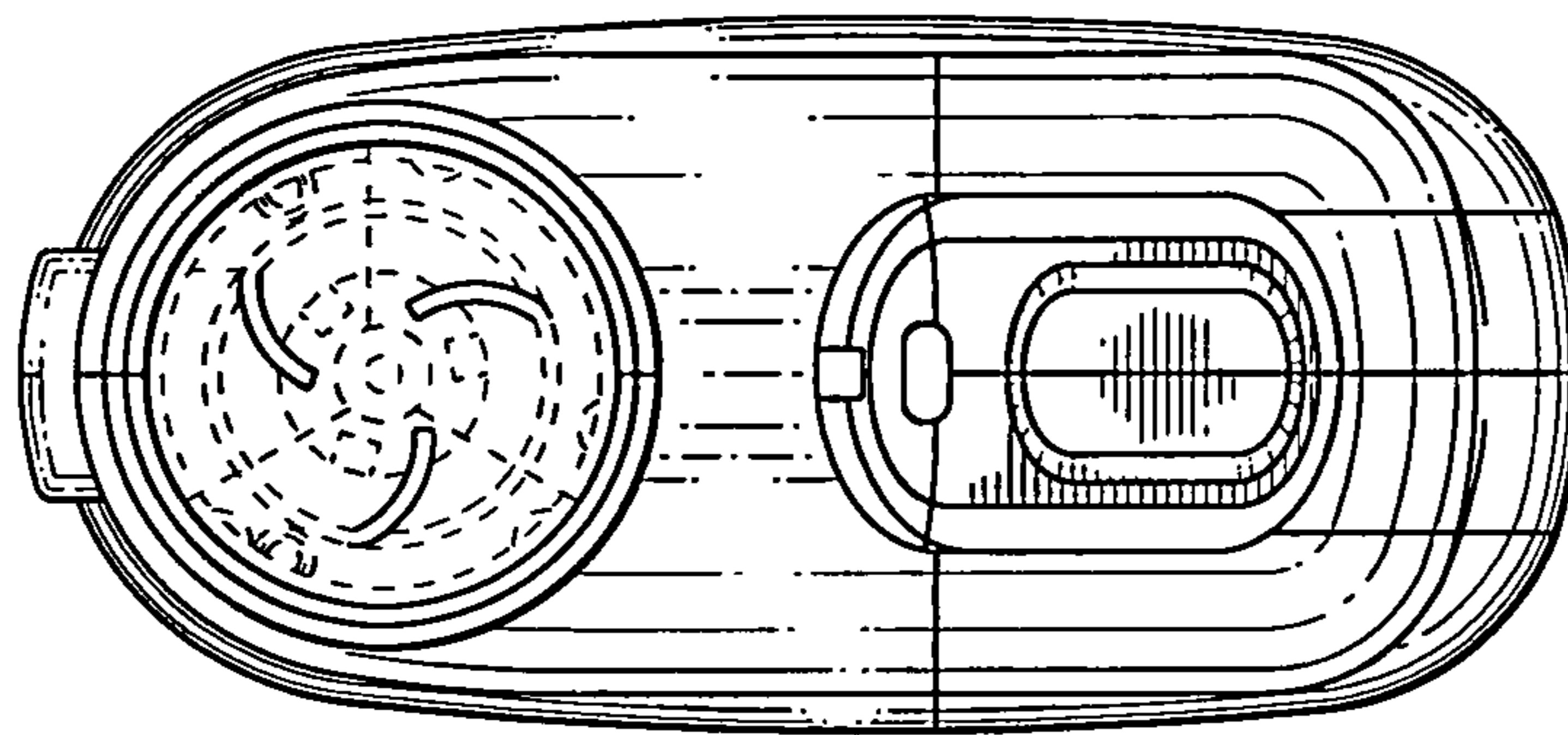


FIG. 7