



US00D718868S

(12) **United States Design Patent**  
**Schroderus**

(10) **Patent No.:** **US D718,868 S**

(45) **Date of Patent:** **\*\* Dec. 2, 2014**

(54) **DEVICE FOR MEASURING HEART RATE**

(71) Applicant: **Osmo Schroderus**, Sumiainen (FI)

(72) Inventor: **Osmo Schroderus**, Sumiainen (FI)

(73) Assignee: **Firstbeat Technologies Oy**, Jyvaskyla (FI)

(\*\*) Term: **14 Years**

(21) Appl. No.: **29/465,179**

(22) Filed: **Aug. 26, 2013**

(30) **Foreign Application Priority Data**

Feb. 28, 2013 (EM) ..... 002193730

(51) **LOC (10) Cl.** ..... **24-01**

(52) **U.S. Cl.**  
USPC ..... **D24/167**

(58) **Field of Classification Search**  
USPC ..... D24/165–168, 186, 187; D10/46;  
600/301, 382, 390, 483, 500–503, 508,  
600/509, 513  
See application file for complete search history.

(56) **References Cited**

**U.S. PATENT DOCUMENTS**

D263,167 S \* 2/1982 Stone ..... D24/168  
D272,943 S \* 3/1984 Stone et al. .... D24/168

4,974,594 A \* 12/1990 Berlin ..... 600/395  
5,052,390 A \* 10/1991 Hewson ..... 607/5  
6,117,077 A \* 9/2000 Del Mar et al. .... 600/301  
D498,535 S \* 11/2004 Genau et al. .... D24/186  
D516,217 S \* 2/2006 Brown et al. .... D24/186  
D644,738 S \* 9/2011 Regan et al. .... D24/187  
D675,738 S \* 2/2013 Baumer et al. .... D24/168  
D699,360 S \* 2/2014 Marzynski et al. .... D24/186  
2012/0197150 A1 \* 8/2012 Cao et al. .... 600/523

\* cited by examiner

*Primary Examiner* — Anhdao Doan

(74) *Attorney, Agent, or Firm* — Fildes & Outland, P.C.

(57) **CLAIM**

The ornamental design for a device for measuring heart rate, as shown and described.

**DESCRIPTION**

FIG. 1 is a side elevational view of the device for measuring heart rate of my new design, the other side being a mirror image thereof;

FIG. 2 is an end view of the device for measuring heart rate; FIG. 3 is a bottom perspective view of the device for measuring heart rate;

FIG. 4 is a top plan view of a device for measuring heart rate; and,

FIG. 5 is a bottom view of the device for measuring heart rate. The broken lines in the drawing views illustrate unclaimed portions of the device for measuring heart rate and form no part of the claimed design.

**1 Claim, 5 Drawing Sheets**

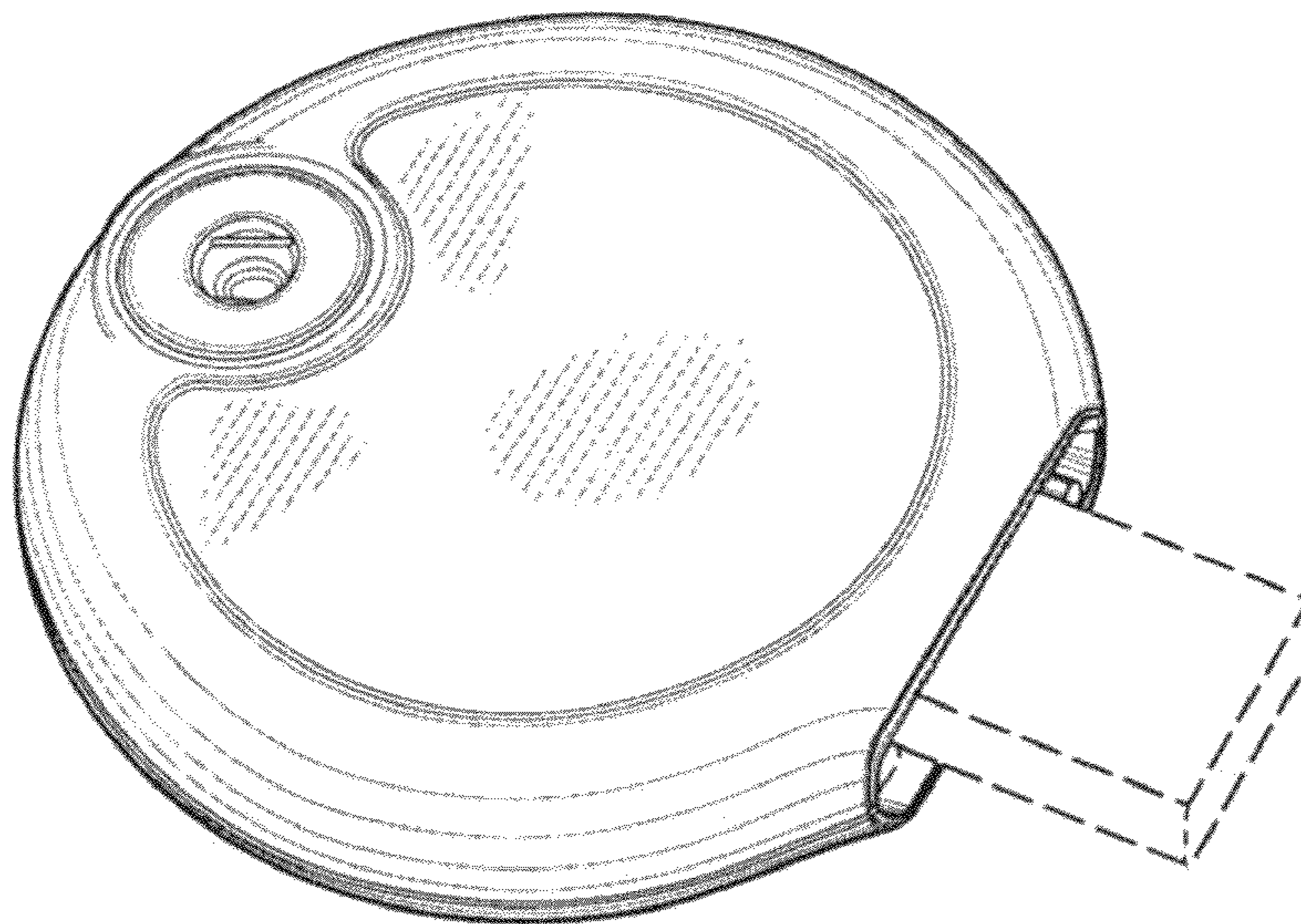




Fig. 1



Fig. 2

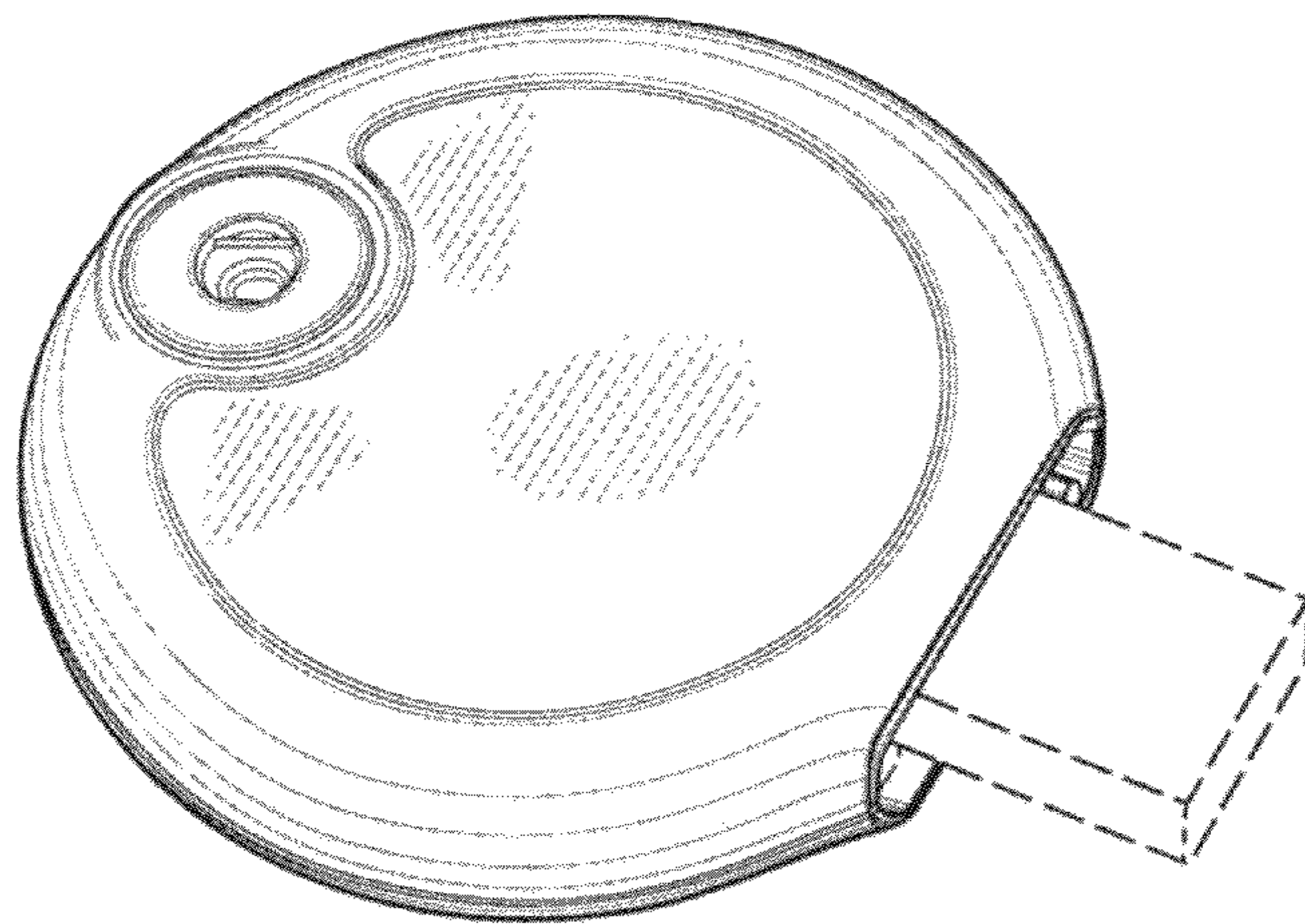


Fig. 3



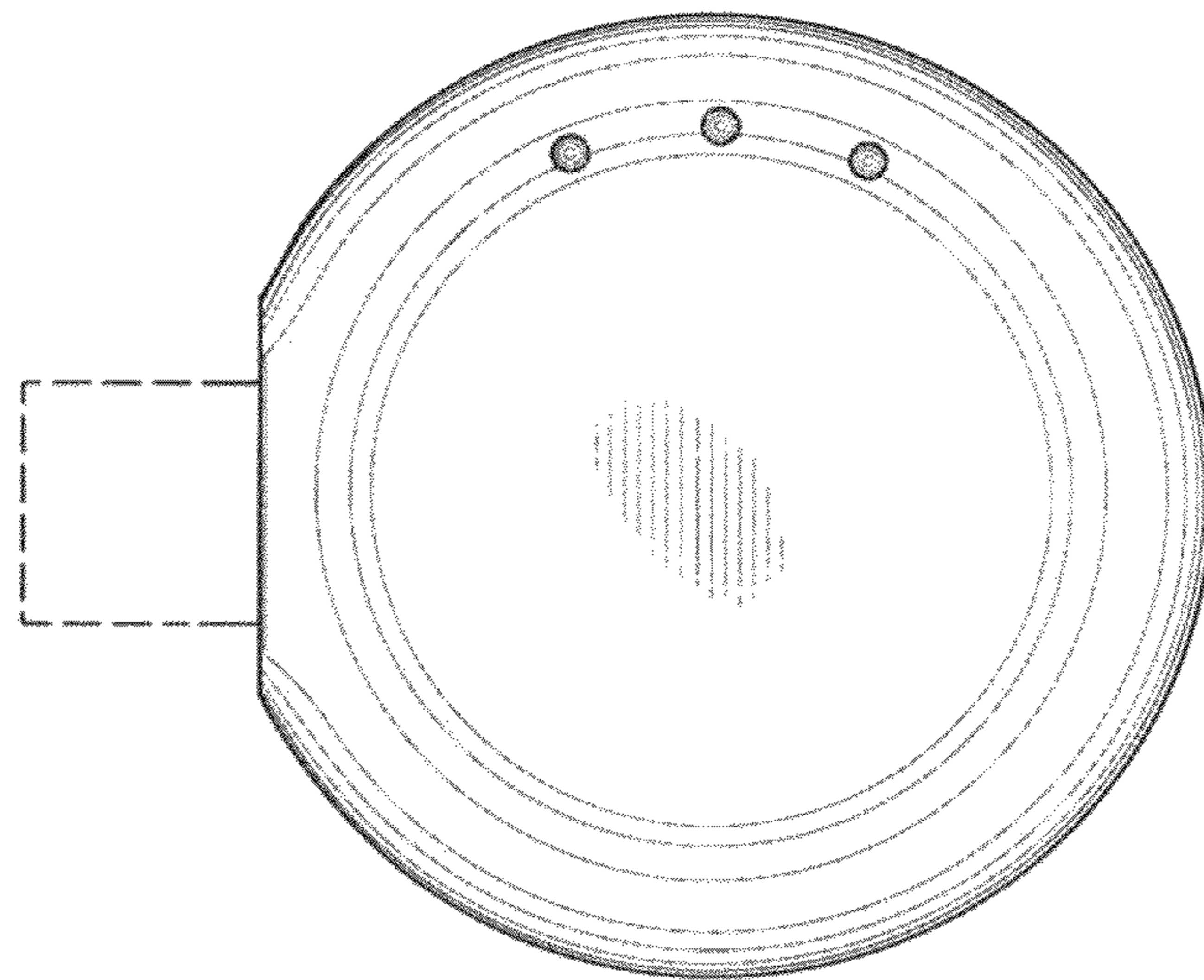


Fig. 4

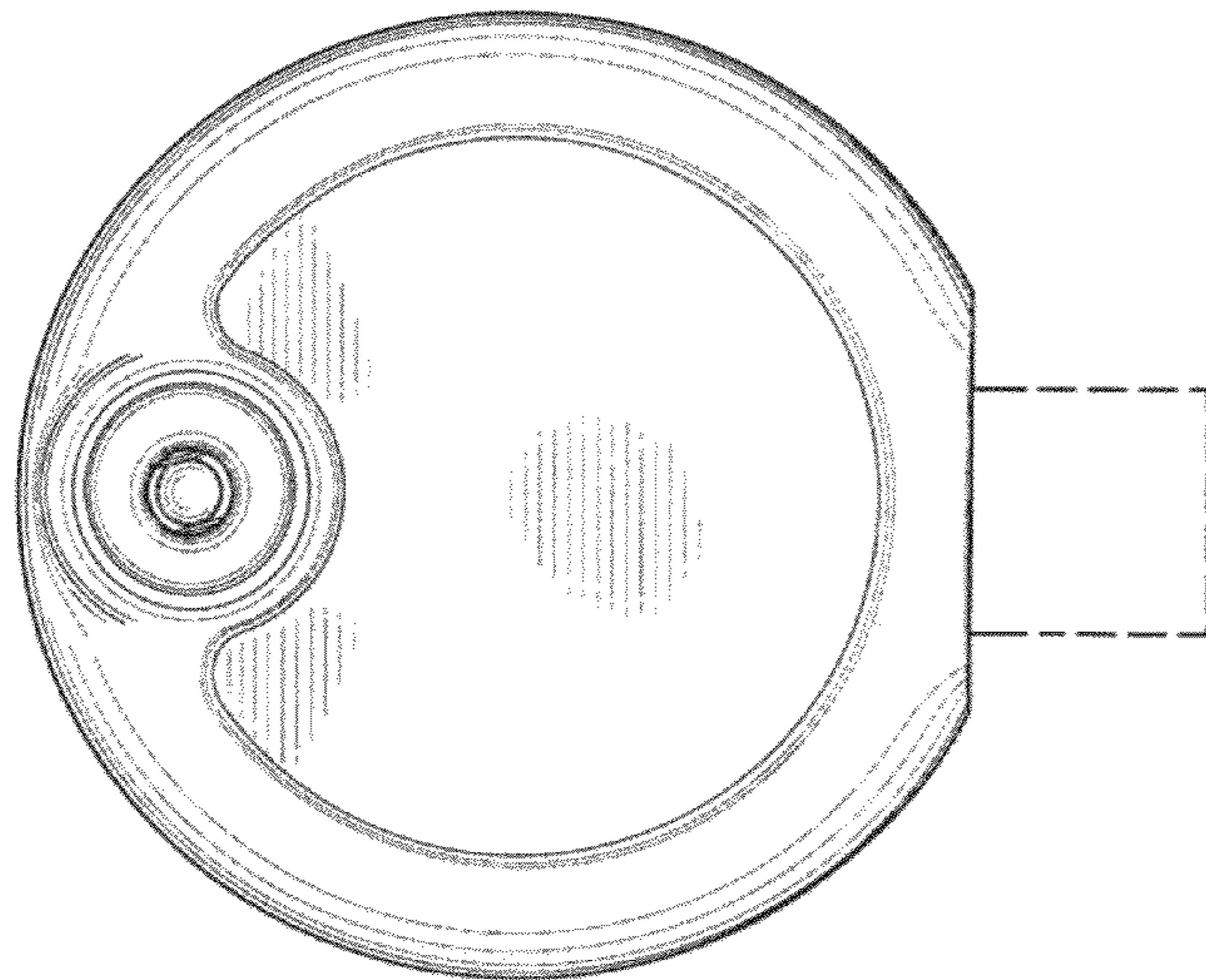


Fig. 5