



US00D718865S

(12) **United States Design Patent**
Matheny

(10) **Patent No.:** **US D718,865 S**

(45) **Date of Patent:** **** Dec. 2, 2014**

- (54) **PROSTHETIC TISSUE VALVE**
- (71) Applicant: **Robert G Matheny**, Norcross, GA (US)
- (72) Inventor: **Robert G Matheny**, Norcross, GA (US)
- (73) Assignee: **CorMatrix Cardiovascular, Inc.**,
Roswell, GA (US)

7,641,687	B2 *	1/2010	Chinn et al.	623/2.4
7,922,764	B2 *	4/2011	Gordy et al.	623/2.42
D653,343	S *	1/2012	Ness et al.	D24/155
D688,372	S *	8/2013	Matheny	D24/155
8,518,108	B2 *	8/2013	Huynh et al.	623/2.41
8,709,076	B1 *	4/2014	Matheny et al.	623/2.13
2008/0228264	A1 *	9/2008	Li et al.	623/2.12

* cited by examiner

(**) Term: **14 Years**

Primary Examiner — Ian Simmons

Assistant Examiner — Charles Hanson

(21) Appl. No.: **29/457,518**

(74) *Attorney, Agent, or Firm* — Francis Law Group

(22) Filed: **Jun. 11, 2013**

(51) **LOC (10) Cl.** **24-02**

(57) **CLAIM**

I claim the ornamental design for a prosthetic tissue valve, as shown and described.

(52) **U.S. Cl.**
USPC **D24/155**

(58) **Field of Classification Search**
USPC D24/155–157; 623/2.41, 2.42, 2.4,
623/2.12–2.15, 2.38; 128/898, 204.18
See application file for complete search history.

DESCRIPTION

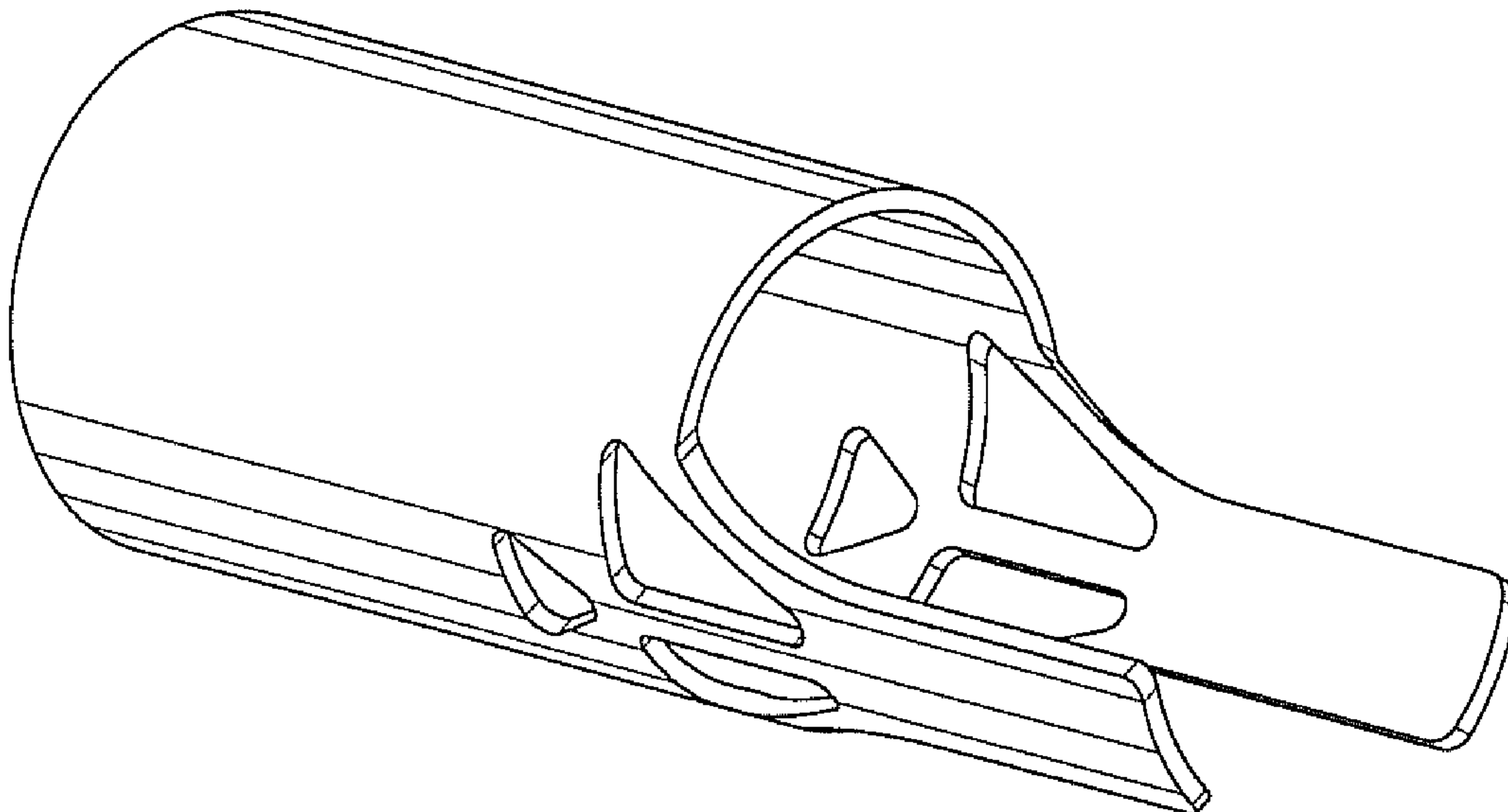
FIG. 1 is a perspective view of my design for a prosthetic tissue valve;
FIG. 2 is a right side elevational view thereof;
FIG. 3 is a left side elevational view thereof;
FIG. 4 is a front elevational view thereof, the rear elevational view thereof being identical to said front elevational view;
and,
FIG. 5 is a top elevational view thereof.

(56) **References Cited**

U.S. PATENT DOCUMENTS

4,470,157	A *	9/1984	Love	623/2.15
5,855,601	A *	1/1999	Bessler et al.	623/2.38
D413,383	S *	8/1999	Vryonis et al.	D24/156
6,092,529	A *	7/2000	Cox	128/898
D429,335	S *	8/2000	Caspers et al.	D24/155
D430,935	S *	9/2000	Yang et al.	D24/155

1 Claim, 1 Drawing Sheet



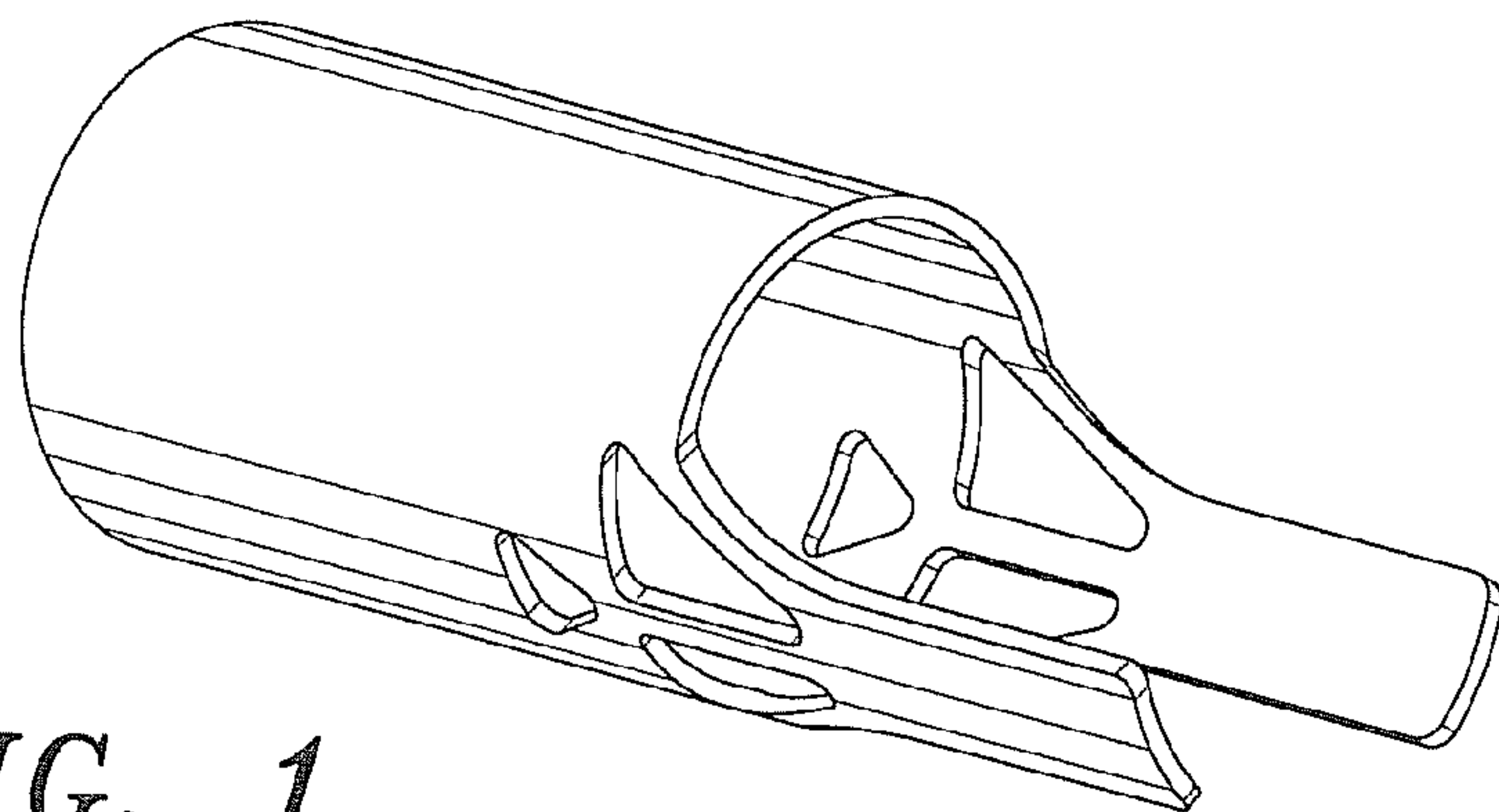


FIG. 1

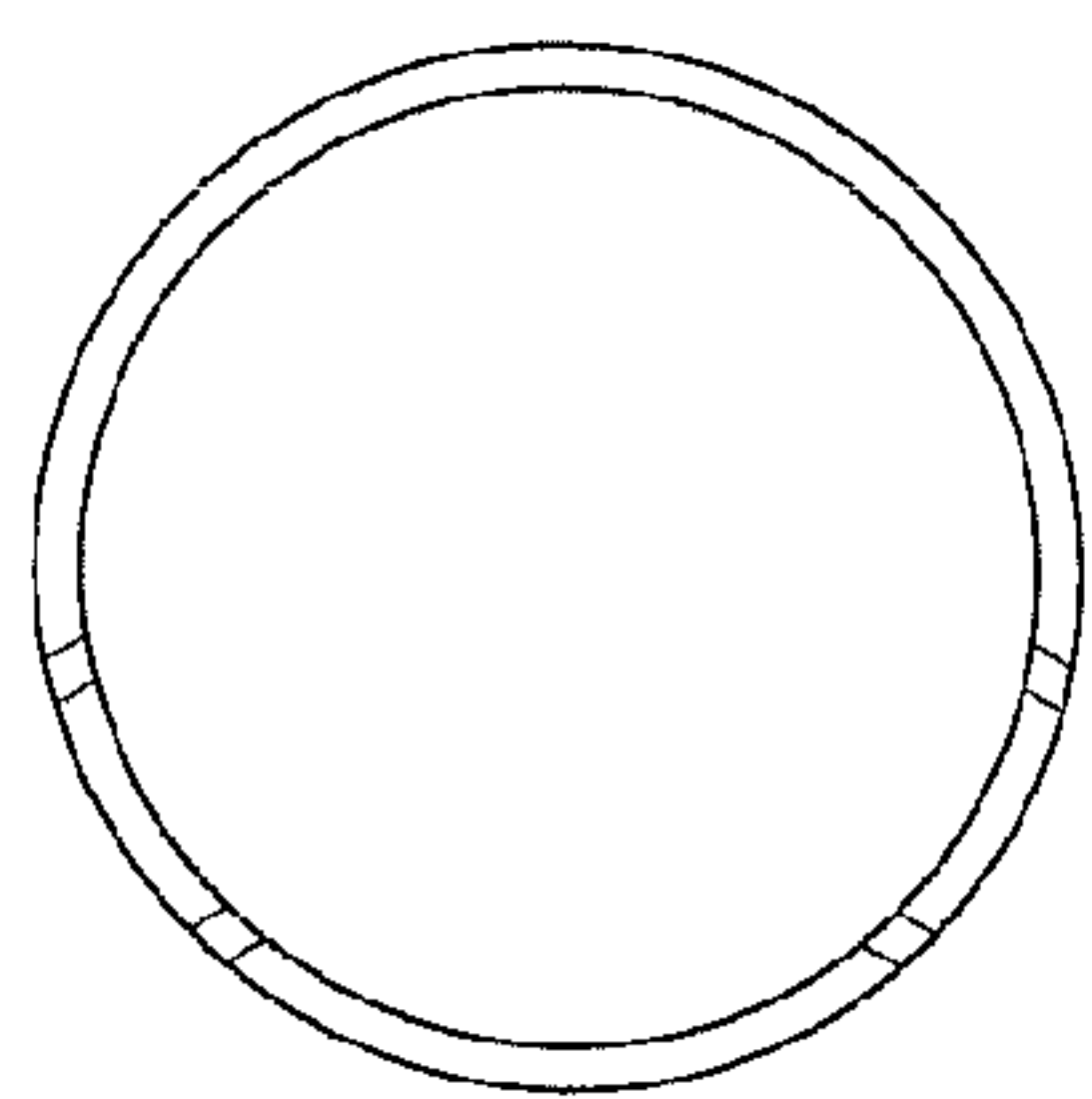


FIG. 2

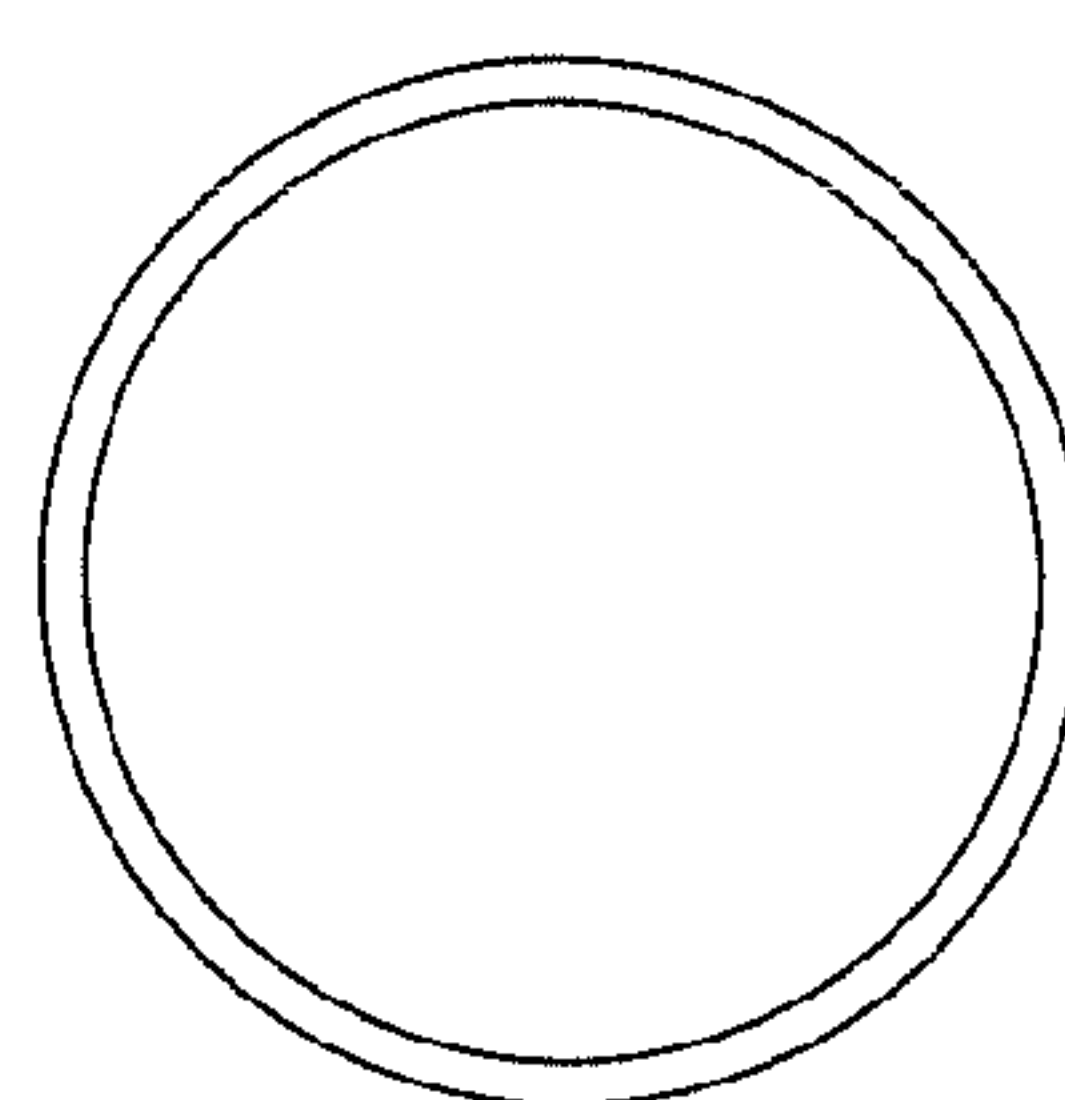


FIG. 3

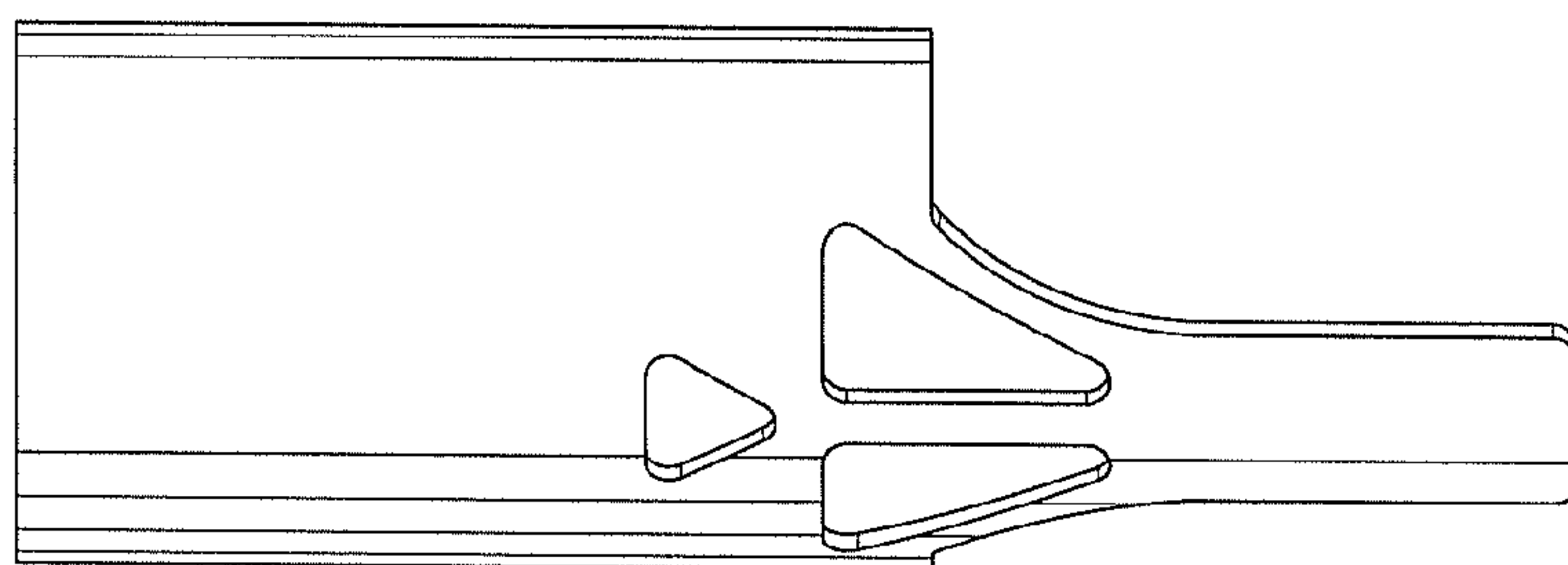


FIG. 4

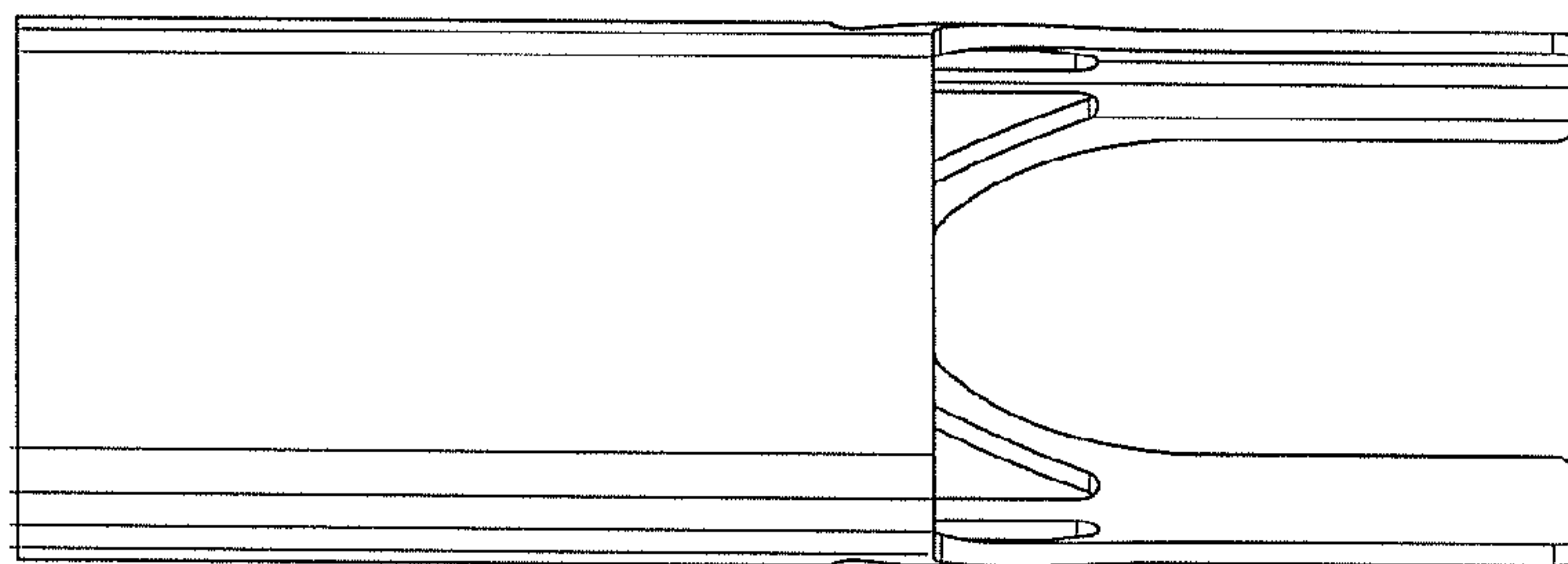


FIG. 5