



US00D718864S

(12) **United States Design Patent**
Matheny

(10) **Patent No.:** **US D718,864 S**

(45) **Date of Patent:** **** Dec. 2, 2014**

- (54) **PROSTHETIC TISSUE VALVE**
- (71) Applicant: **Robert G Matheny**, Norcross, GA (US)
- (72) Inventor: **Robert G Matheny**, Norcross, GA (US)
- (73) Assignee: **CorMatrix Cardiovascular, Inc.**,
Roswell, GA (US)

D429,335	S	*	8/2000	Caspers et al.	D24/155
D430,935	S	*	9/2000	Yang et al.	D24/155
7,641,687	B2	*	1/2010	Chinn et al.	623/2.4
7,922,764	B2	*	4/2011	Gordy et al.	623/2.42
D653,343	S	*	1/2012	Ness et al.	D24/155
D688,372	S	*	8/2013	Matheny	D24/155
8,518,108	B2	*	8/2013	Huynh et al.	623/2.41
8,709,076	B1	*	4/2014	Matheny et al.	623/2.13
2008/0228264	A1	*	9/2008	Li et al.	623/2.12

(**) Term: **14 Years**

* cited by examiner

(21) Appl. No.: **29/454,117**

Primary Examiner — Ian Simmons

(22) Filed: **May 7, 2013**

Assistant Examiner — Charles Hanson

(51) **LOC (10) Cl.** **24-02**

(74) *Attorney, Agent, or Firm* — Francis Law Group

(52) **U.S. Cl.**

(57) **CLAIM**

USPC **D24/155**

I claim the ornamental design for a prosthetic tissue valve, as shown and described.

(58) **Field of Classification Search**

DESCRIPTION

USPC D24/155-157; 623/2.41, 2.42, 2.4, 623/2.12-2.15, 2.38; 128/898, 204.18

FIG. 1 is a perspective view of my design for a prosthetic tissue valve;

See application file for complete search history.

FIG. 2 is a right side elevational view thereof;

(56) **References Cited**

U.S. PATENT DOCUMENTS

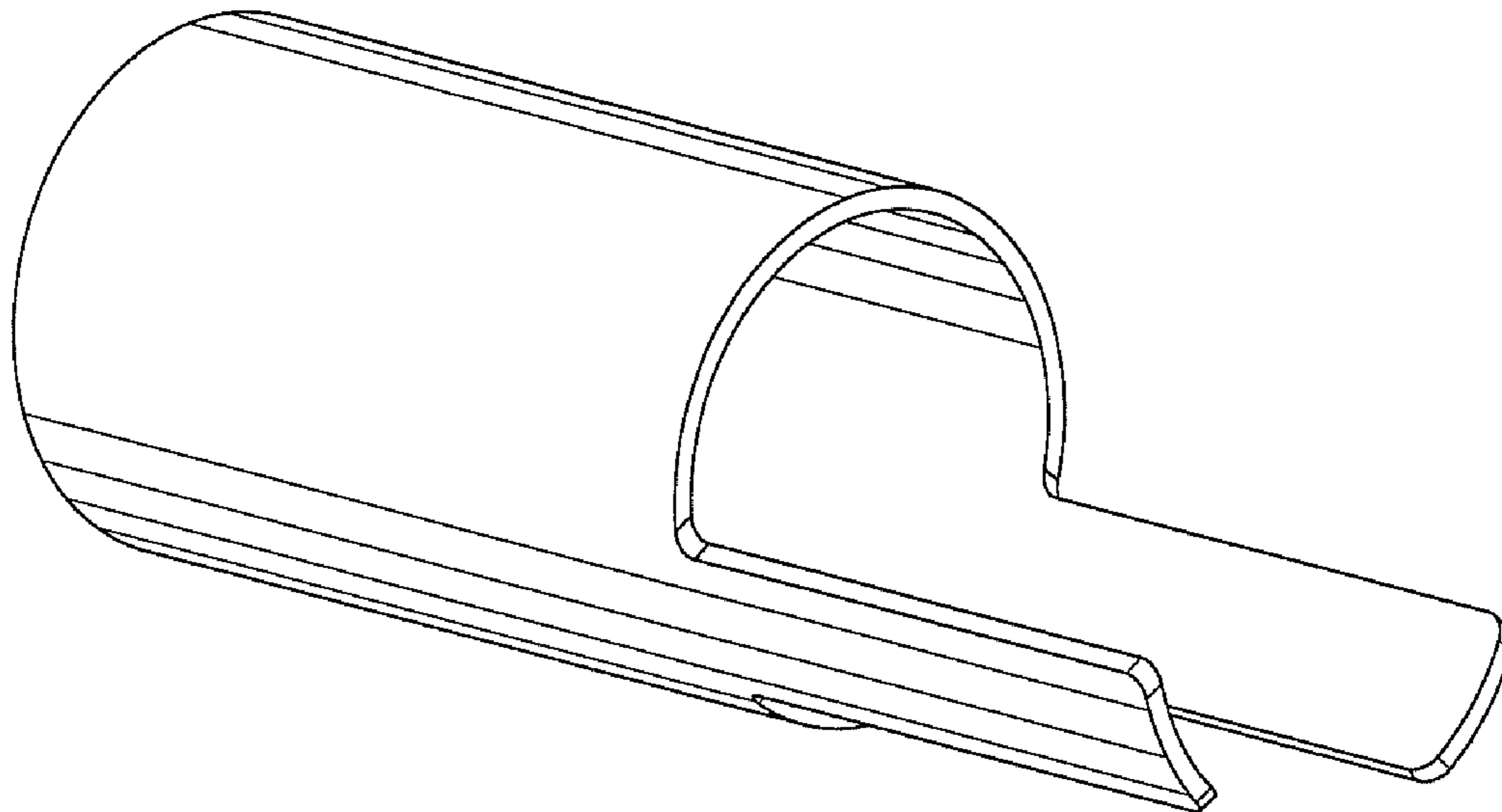
4,470,157	A	*	9/1984	Love	623/2.15
5,855,601	A	*	1/1999	Bessler et al.	623/2.38
D413,383	S	*	8/1999	Vryonis et al.	D24/156
6,092,529	A	*	7/2000	Cox	128/898

FIG. 3 is a left side elevational view thereof;

FIG. 4 is a front elevational view thereof, the rear elevational view thereof being identical to said front elevational view; and,

FIG. 5 is a top elevational view thereof, the bottom elevational view thereof being identical to said top elevational view.

1 Claim, 1 Drawing Sheet



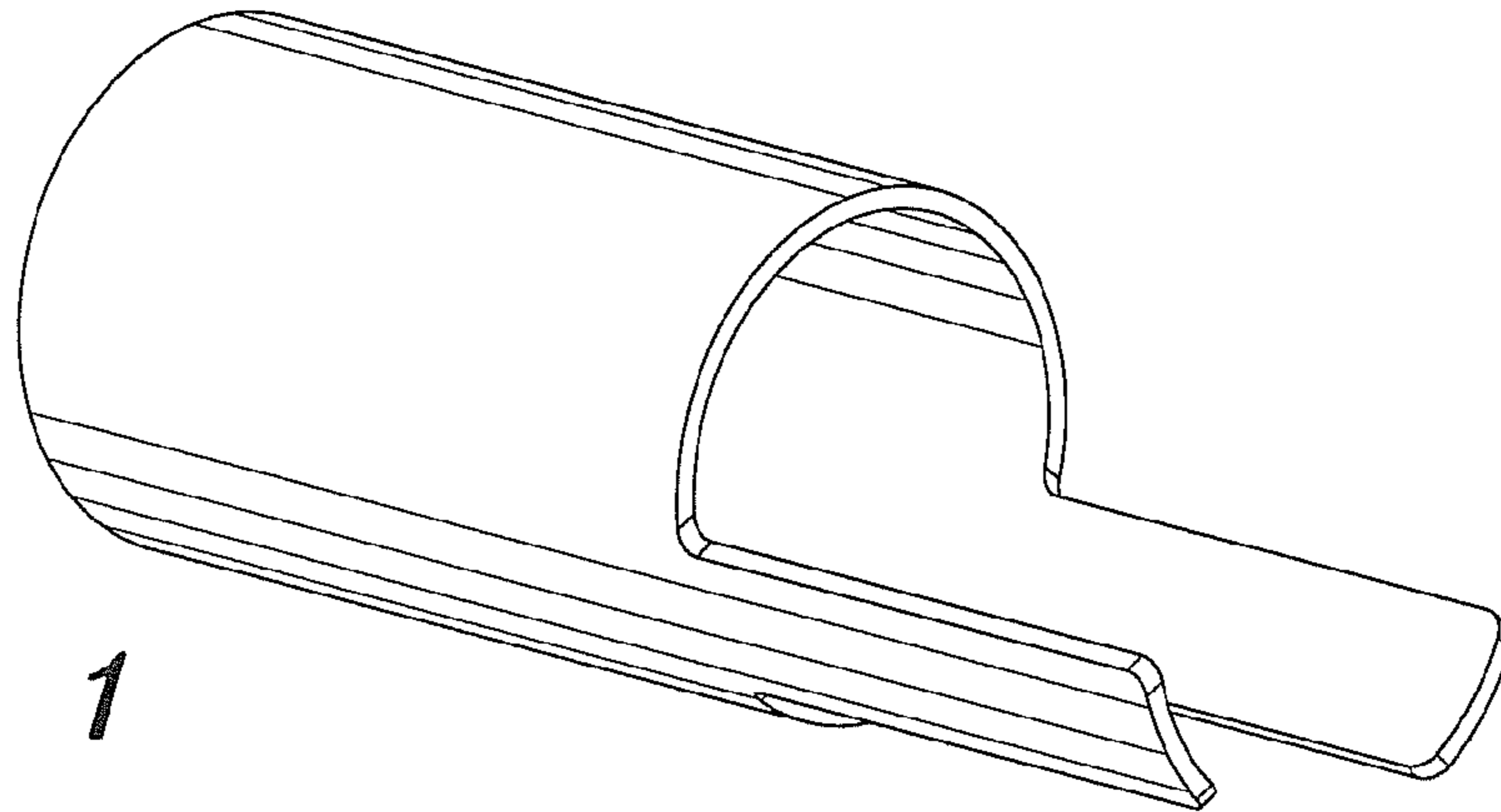


FIG. 1

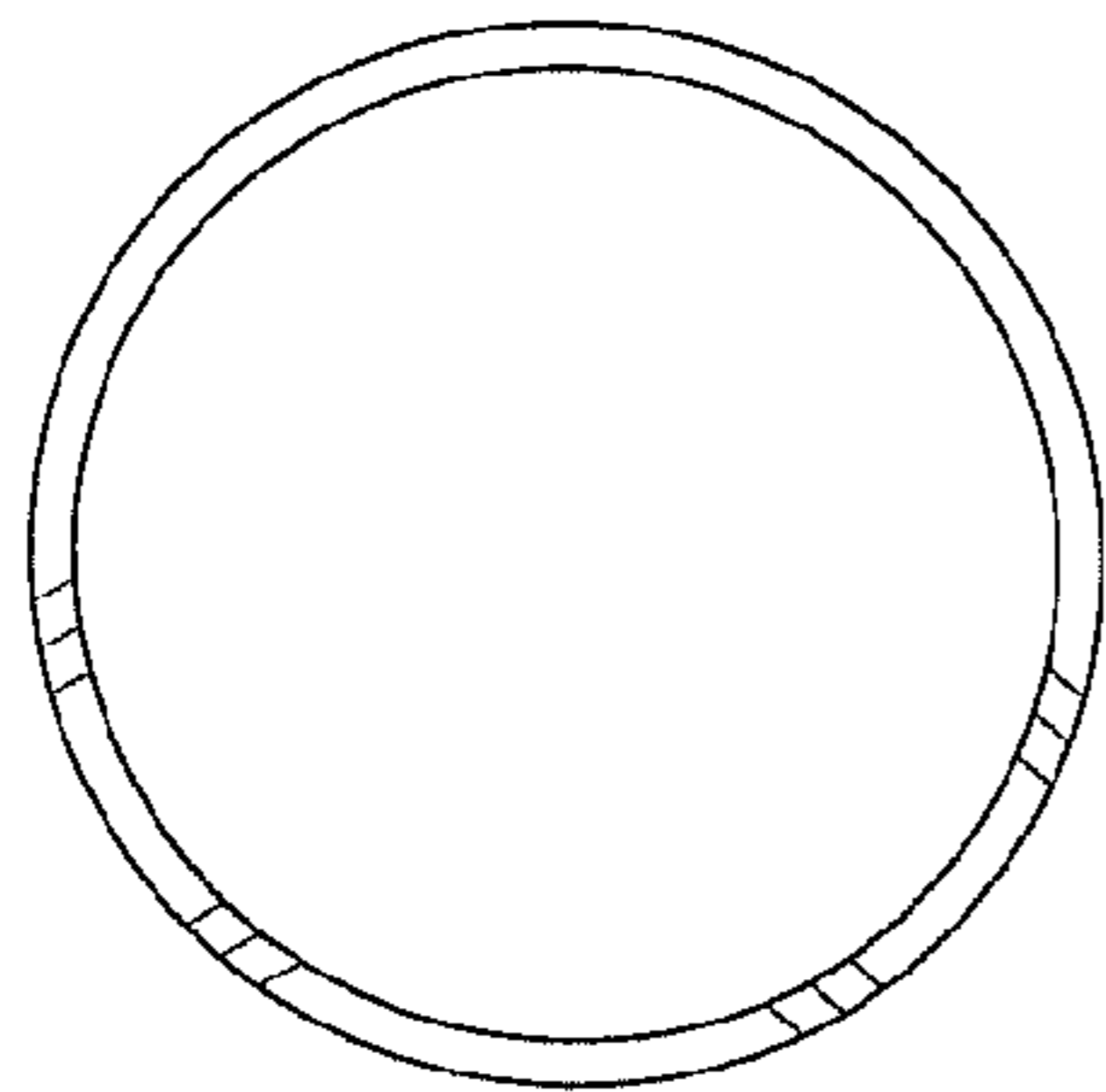


FIG. 2

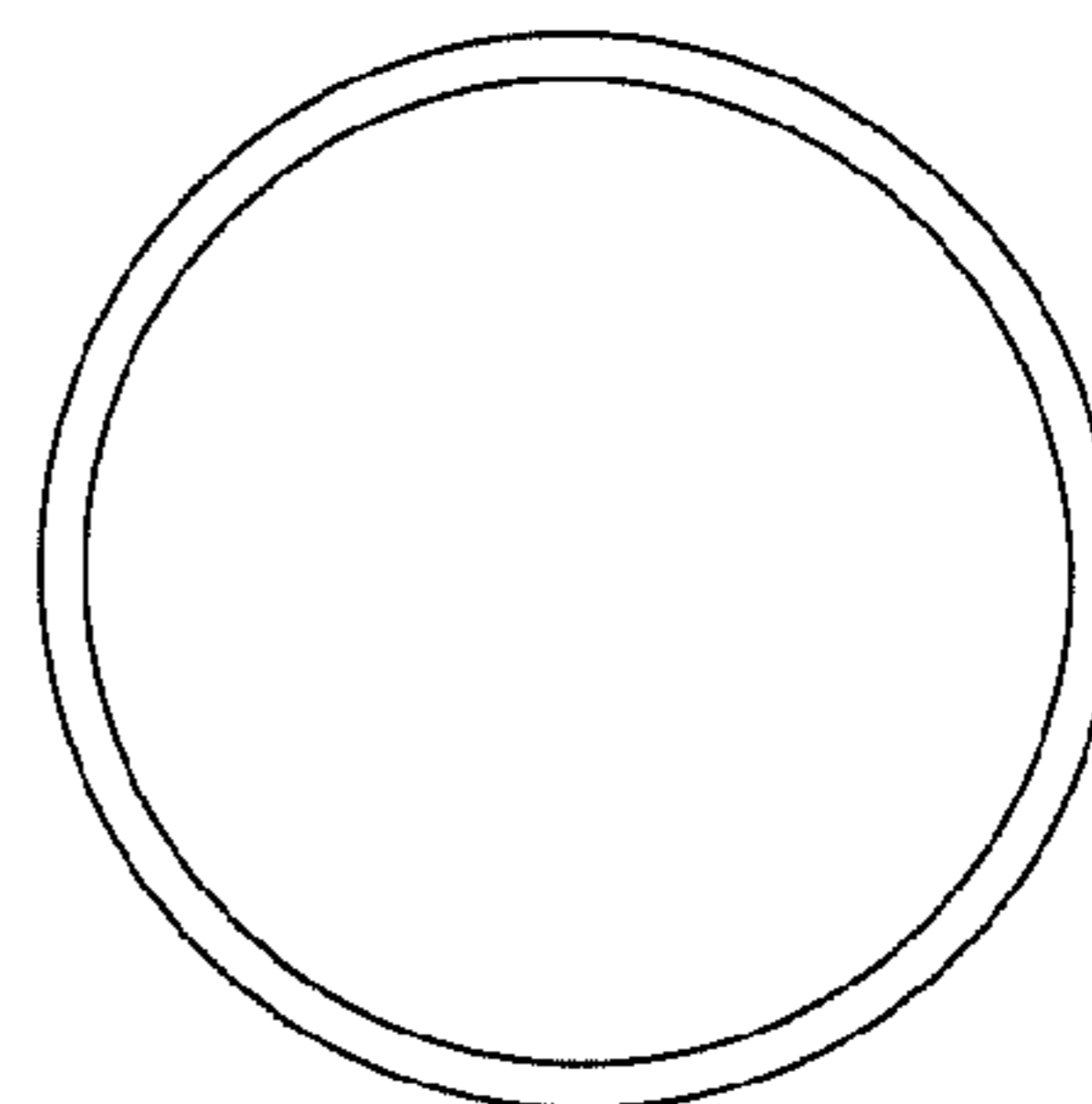


FIG. 3

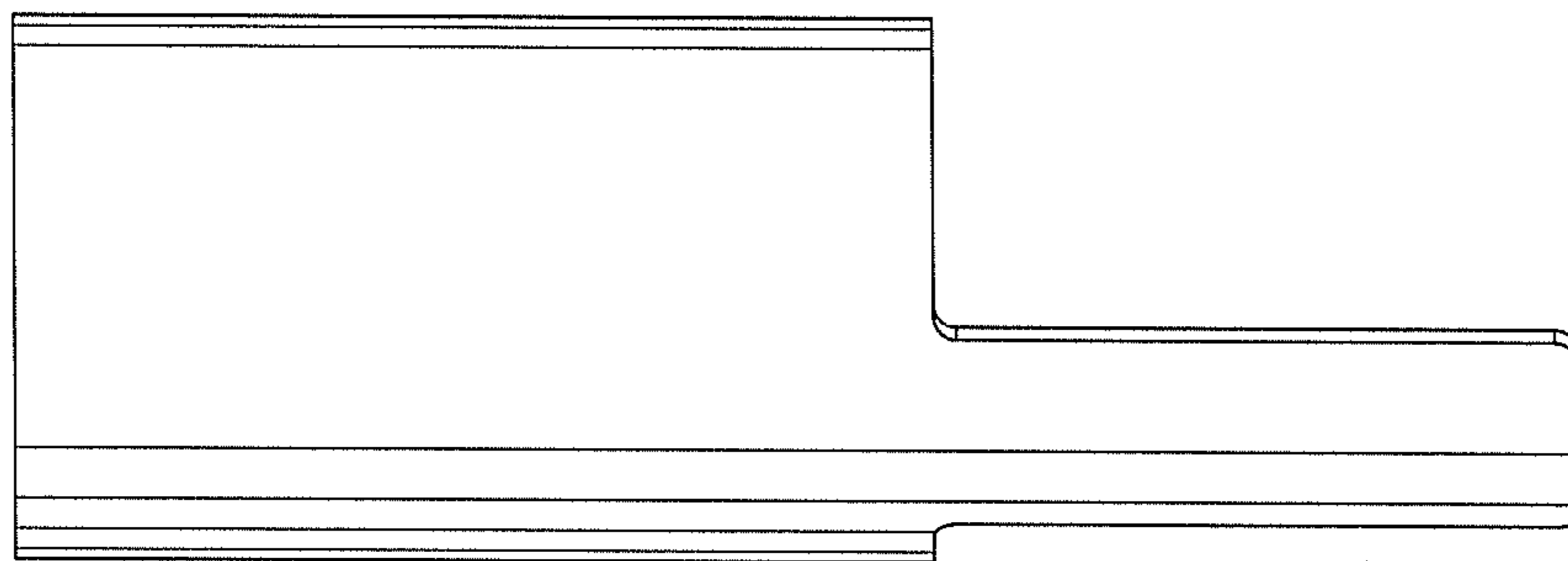


FIG. 4

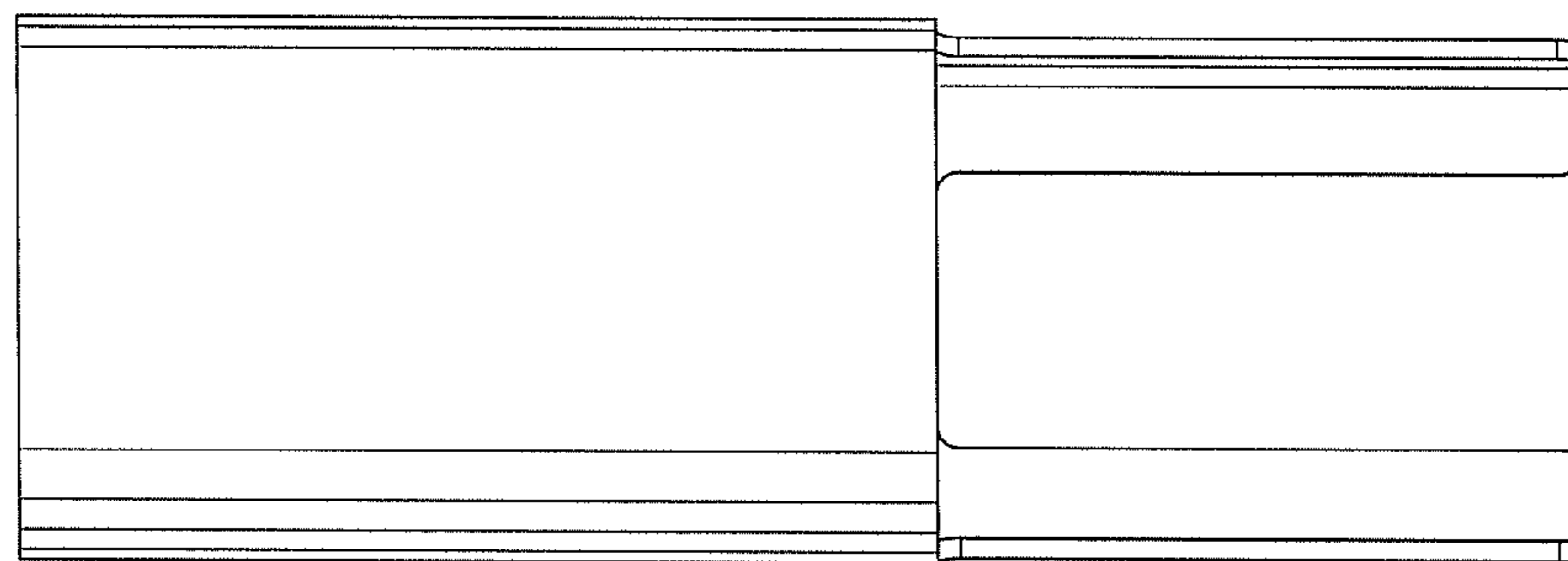


FIG. 5