



US00D718862S

(12) **United States Design Patent**
Matheny

(10) **Patent No.:** **US D718,862 S**

(45) **Date of Patent:** **** Dec. 2, 2014**

- (54) **PROSTHETIC TISSUE VALVE**
- (71) Applicant: **Robert G Matheny**, Norcross, GA (US)
- (72) Inventor: **Robert G Matheny**, Norcross, GA (US)
- (73) Assignee: **CorMatrix Cardiovascular, Inc.**,
Roswell, GA (US)

| | | | | | |
|--------------|------|--------|----------------|-------|----------|
| D429,335 | S * | 8/2000 | Caspers et al. | | D24/155 |
| D430,935 | S * | 9/2000 | Yang et al. | | D24/155 |
| 7,641,687 | B2 * | 1/2010 | Chinn et al. | | 623/2.4 |
| 7,922,764 | B2 * | 4/2011 | Gordy et al. | | 623/2.42 |
| D653,343 | S * | 1/2012 | Ness et al. | | D24/155 |
| D688,372 | S * | 8/2013 | Matheny | | D24/155 |
| 8,518,108 | B2 * | 8/2013 | Huynh et al. | | 623/2.41 |
| 8,709,076 | B1 * | 4/2014 | Matheny et al. | | 623/2.13 |
| 2008/0228264 | A1 * | 9/2008 | Li et al. | | 623/2.12 |

(**) Term: **14 Years**

* cited by examiner

(21) Appl. No.: **29/454,112**

Primary Examiner — Ian Simmons

(22) Filed: **May 7, 2013**

Assistant Examiner — Charles Hanson

(51) **LOC (10) Cl.** **24-02**

(74) *Attorney, Agent, or Firm* — Francis Law Group

(52) **U.S. Cl.**
USPC **D24/155**

(57) **CLAIM**

I claim the ornamental design for a prosthetic tissue valve, as shown and described.

(58) **Field of Classification Search**
USPC D24/155–157; 623/2.41, 2.42, 2.4,
623/2.12–2.15, 2.38; 128/898, 204.18
See application file for complete search history.

DESCRIPTION

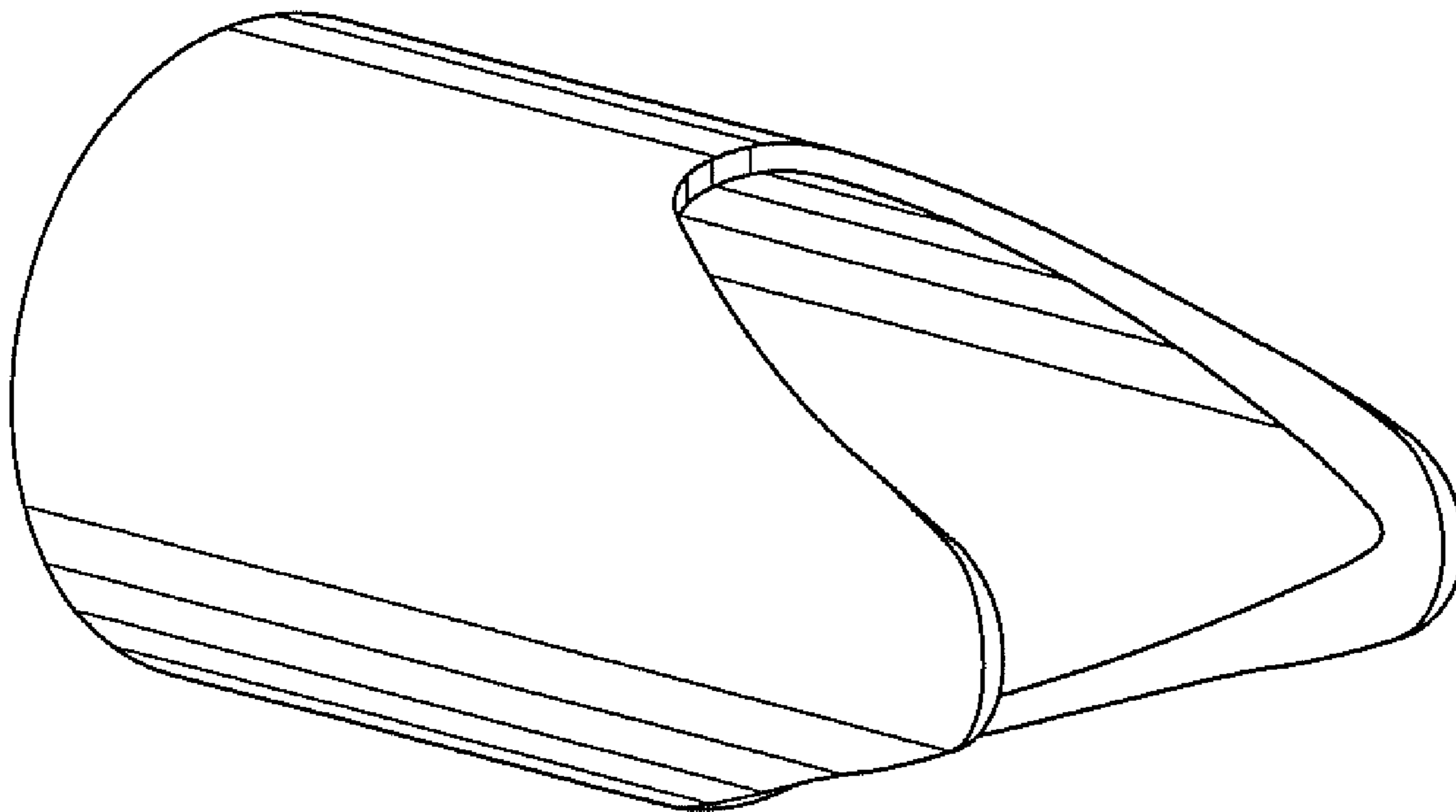
FIG. 1 is a perspective view of my design for a prosthetic tissue valve;
FIG. 2 is a right side elevational view thereof;
FIG. 3 is a left side elevational view thereof;
FIG. 4 is a front elevational view thereof, the rear elevational view thereof being identical to said front elevational view;
and,
FIG. 5 is a top elevational view thereof, the bottom elevational view thereof being identical to said top elevational view.

(56) **References Cited**

U.S. PATENT DOCUMENTS

| | | | | | |
|-----------|-----|--------|----------------|-------|----------|
| 4,470,157 | A * | 9/1984 | Love | | 623/2.15 |
| 5,855,601 | A * | 1/1999 | Bessler et al. | | 623/2.38 |
| D413,383 | S * | 8/1999 | Vryonis et al. | | D24/156 |
| 6,092,529 | A * | 7/2000 | Cox | | 128/898 |

1 Claim, 1 Drawing Sheet



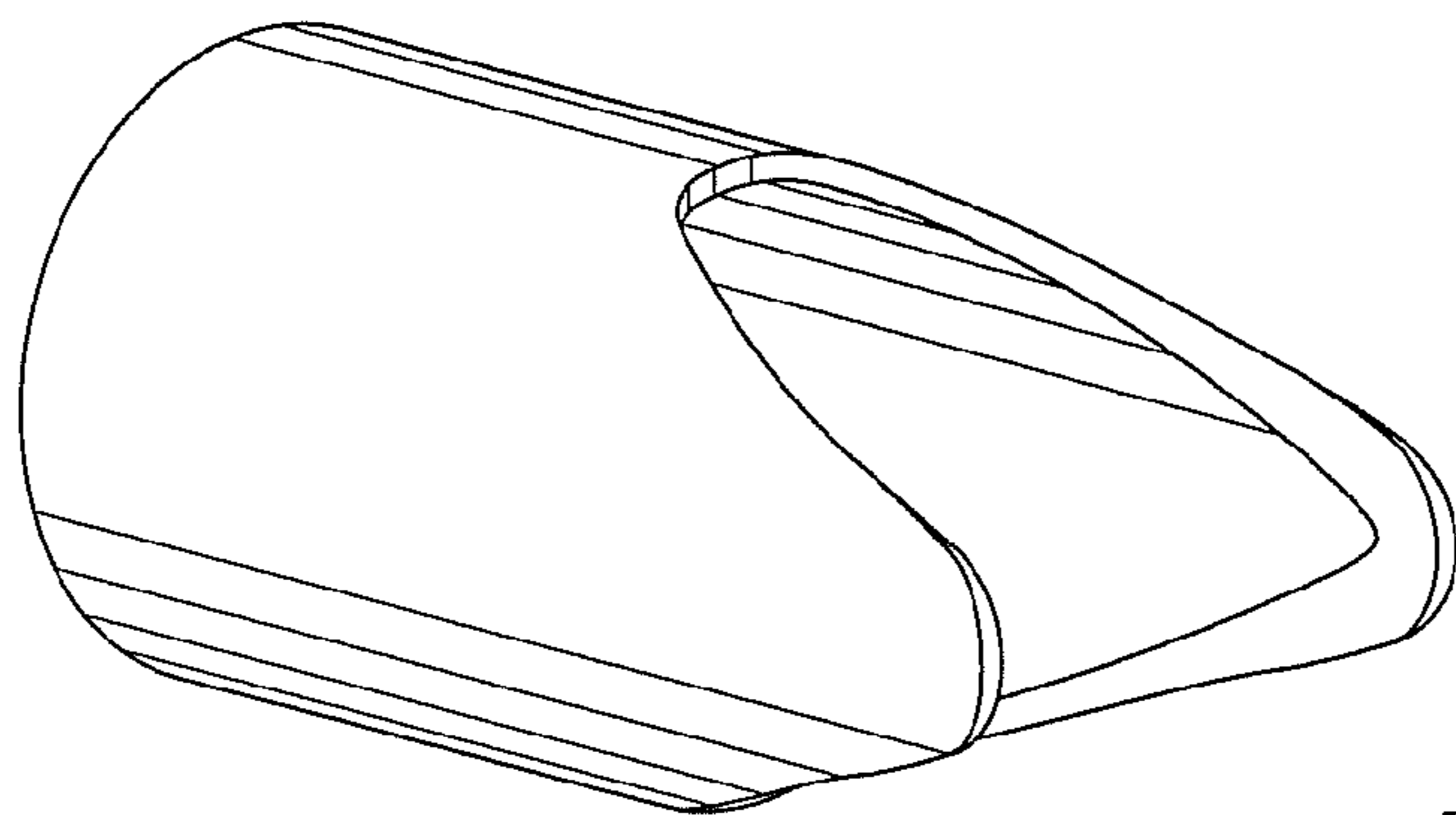


FIG. 1

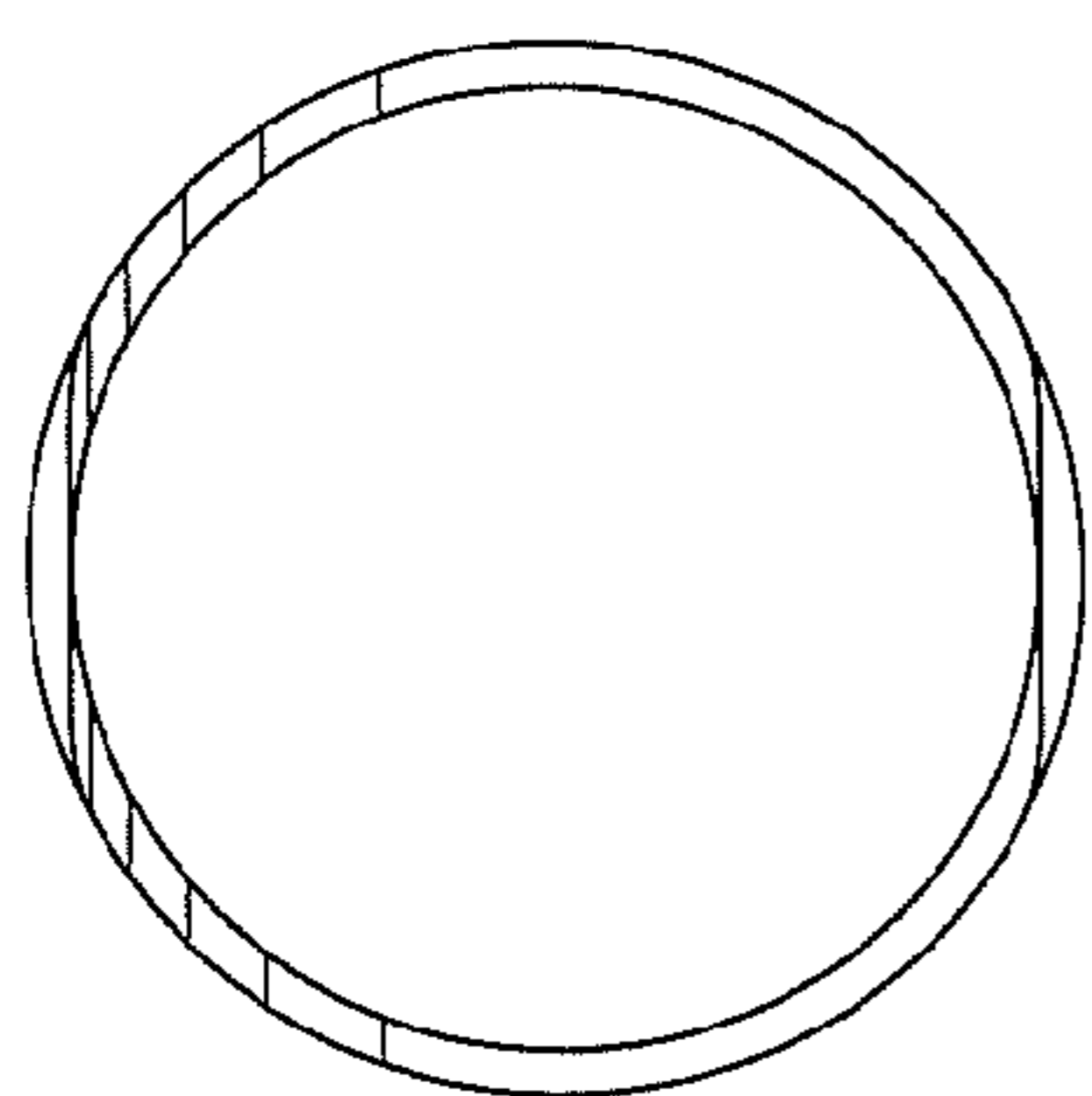


FIG. 2

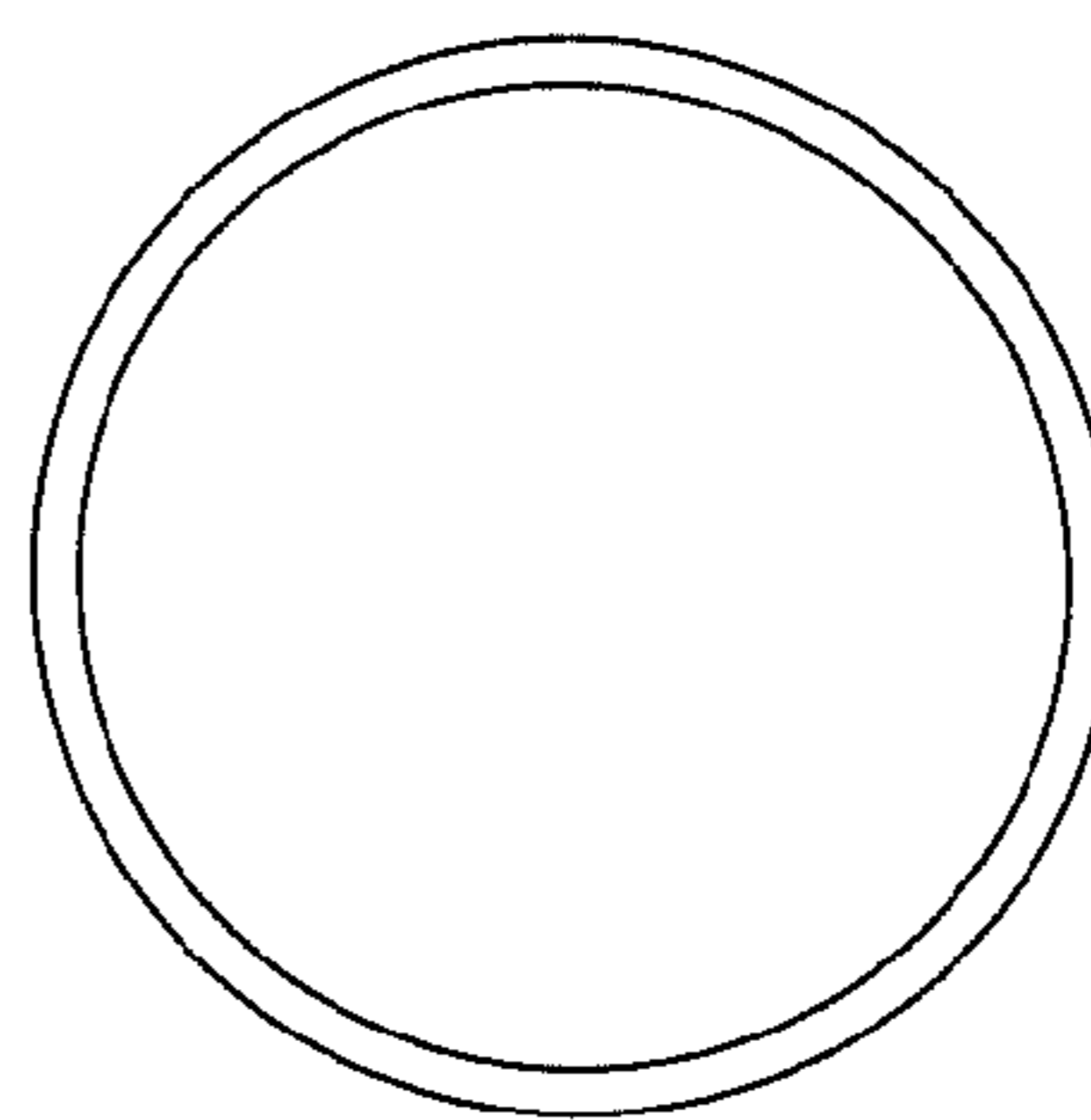


FIG. 3

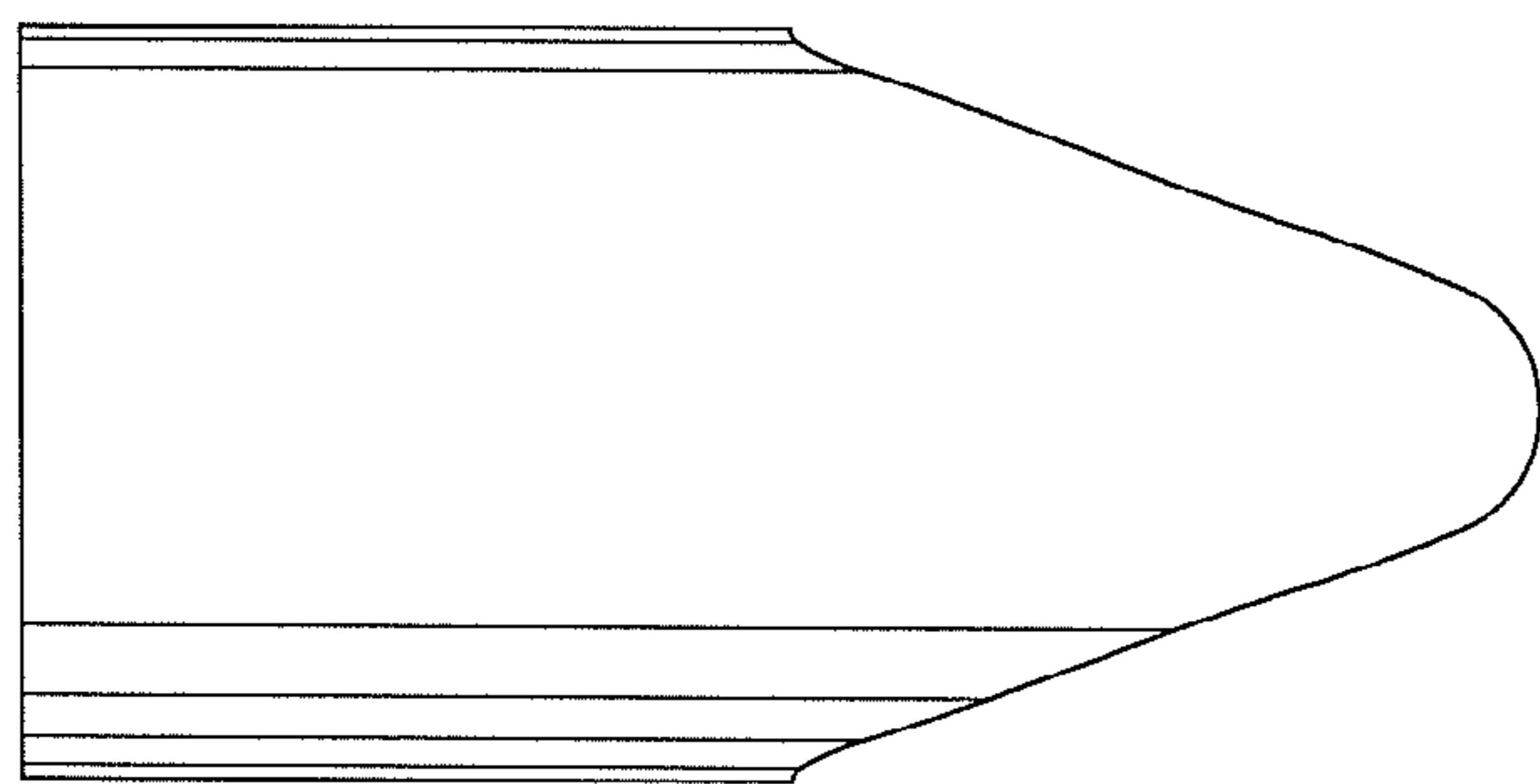


FIG. 4

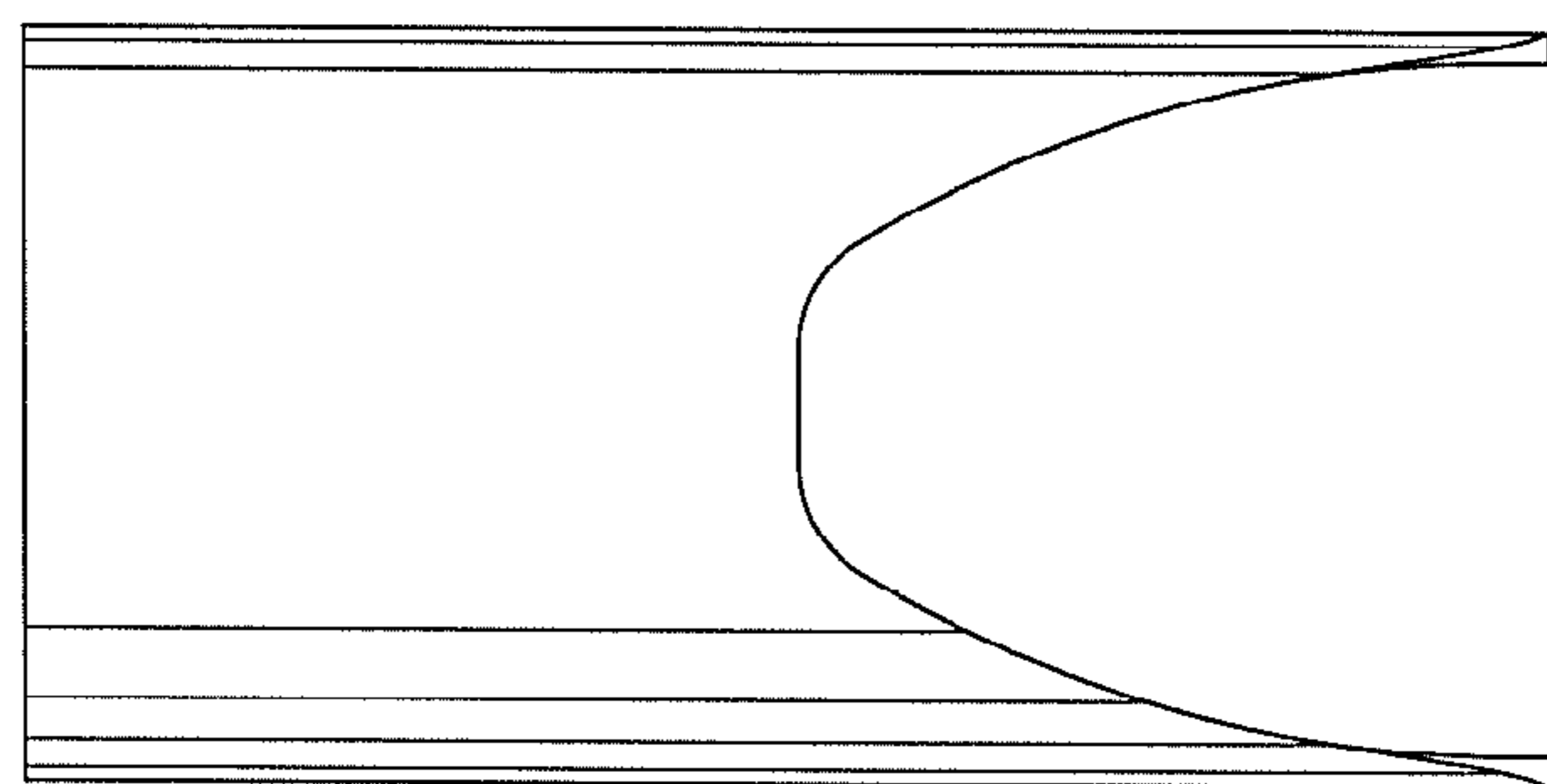


FIG. 5