



US00D718861S

(12) **United States Design Patent**
Halldorsson

(10) **Patent No.:** **US D718,861 S**

(45) **Date of Patent:** **** Dec. 2, 2014**

(54) **PROSTHETIC FOOT COMPONENT**

- (71) Applicant: **Ossur hf**, Reykjavik (IS)
- (72) Inventor: **Olafur Freyr Halldorsson**, Reykjavik (IS)
- (73) Assignee: **Ossur hf**, Reykjavik (IS)
- (**) Term: **14 Years**
- (21) Appl. No.: **29/446,510**
- (22) Filed: **Feb. 25, 2013**
- (51) **LOC (10) Cl.** **24-02**
- (52) **U.S. Cl.**
USPC **D24/155**
- (58) **Field of Classification Search**
USPC D24/155-157; 623/53-56
See application file for complete search history.

(56) **References Cited**

U.S. PATENT DOCUMENTS

6,261,324	B1 *	7/2001	Merlette	623/55
6,562,075	B2 *	5/2003	Townsend et al.	623/38
6,911,052	B2 *	6/2005	Christensen	623/52
6,972,043	B1 *	12/2005	Biedermann et al.	623/55
7,169,190	B2 *	1/2007	Phillips et al.	623/38
D579,115	S *	10/2008	Rubie et al.	D24/155
7,618,463	B2 *	11/2009	Oddsson et al.	623/46
D632,392	S *	2/2011	Jacobs et al.	D24/155
D633,205	S *	2/2011	Muhlenberend	D24/155
D633,618	S *	3/2011	Johnson et al.	D24/155
D653,759	S *	2/2012	Smith et al.	D24/155
D655,009	S *	2/2012	L'Heureux et al.	D24/155
D661,807	S *	6/2012	Sigurdsson	D24/155
8,486,156	B2 *	7/2013	Jonsson	623/53
8,500,825	B2 *	8/2013	Christensen et al.	623/55

OTHER PUBLICATIONS

- Ossur Prosthetics Product Catalog, 2011; pp. 8-11; 72-157; 161-164 and 200-206.
- * cited by examiner
- Primary Examiner* — Ian Simmons
- Assistant Examiner* — Charles Hanson
- (74) *Attorney, Agent, or Firm* — Workman Nydegger

(57) **CLAIM**

The ornamental design for a prosthetic foot component, as shown and described.

DESCRIPTION

FIG. 1 is a perspective view showing a prosthetic foot component showing my new design;
 FIG. 2 is a first side elevational view of the prosthetic foot component in FIG. 1;
 FIG. 3 is a second side elevational view of the prosthetic foot component in FIG. 1;
 FIG. 4 is a front elevational view of the prosthetic foot component in FIG. 1;
 FIG. 5 is a rear elevational view of the prosthetic foot component in FIG. 1;
 FIG. 6 is a top plan view of the prosthetic foot component in FIG. 1; and,
 FIG. 7 is a bottom plan view of the prosthetic foot component in FIG. 1.

The broken lines are included for the purpose of illustrating environmental structure and form no part of the claimed design.

1 Claim, 6 Drawing Sheets

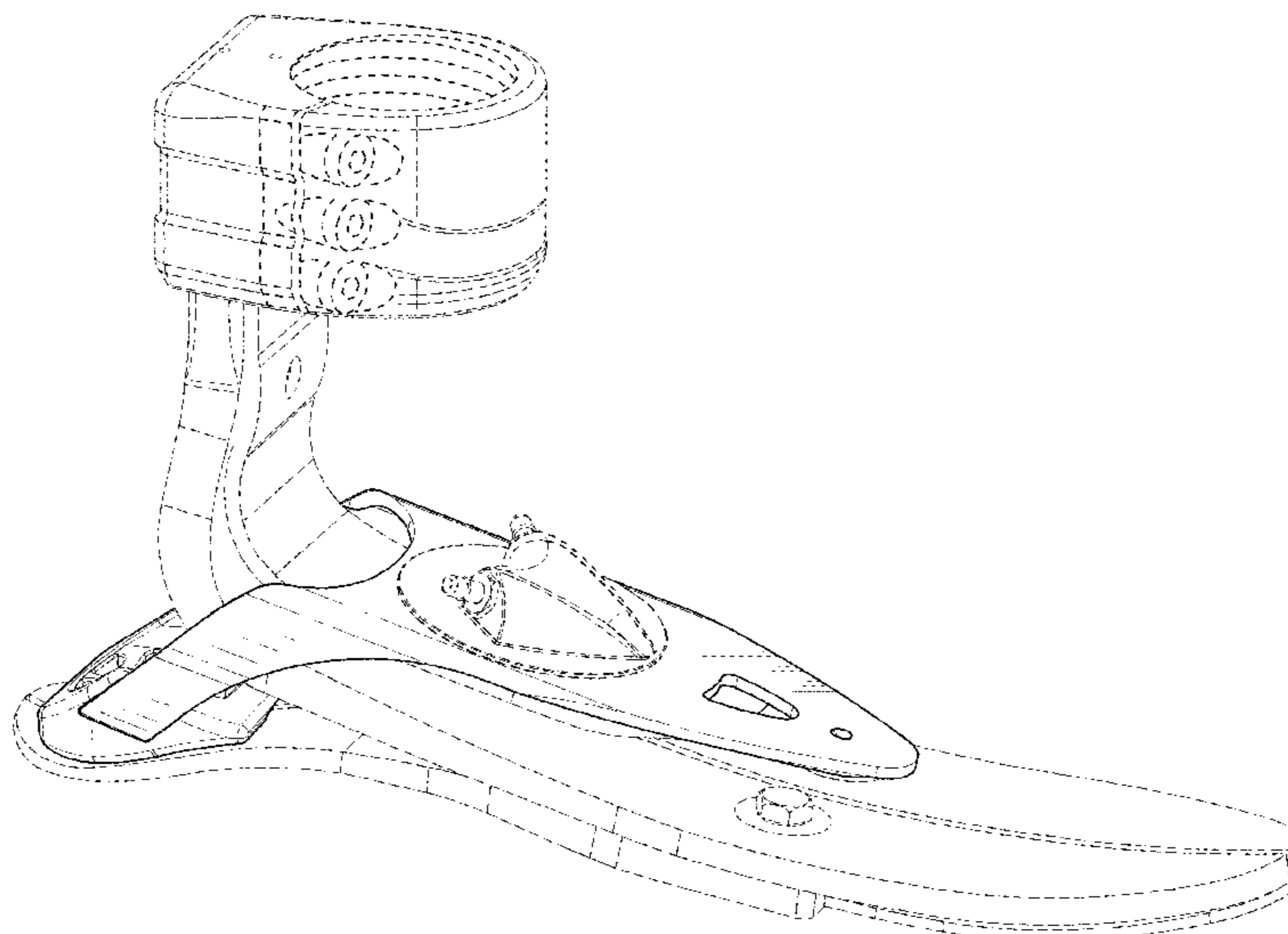


FIG. 1

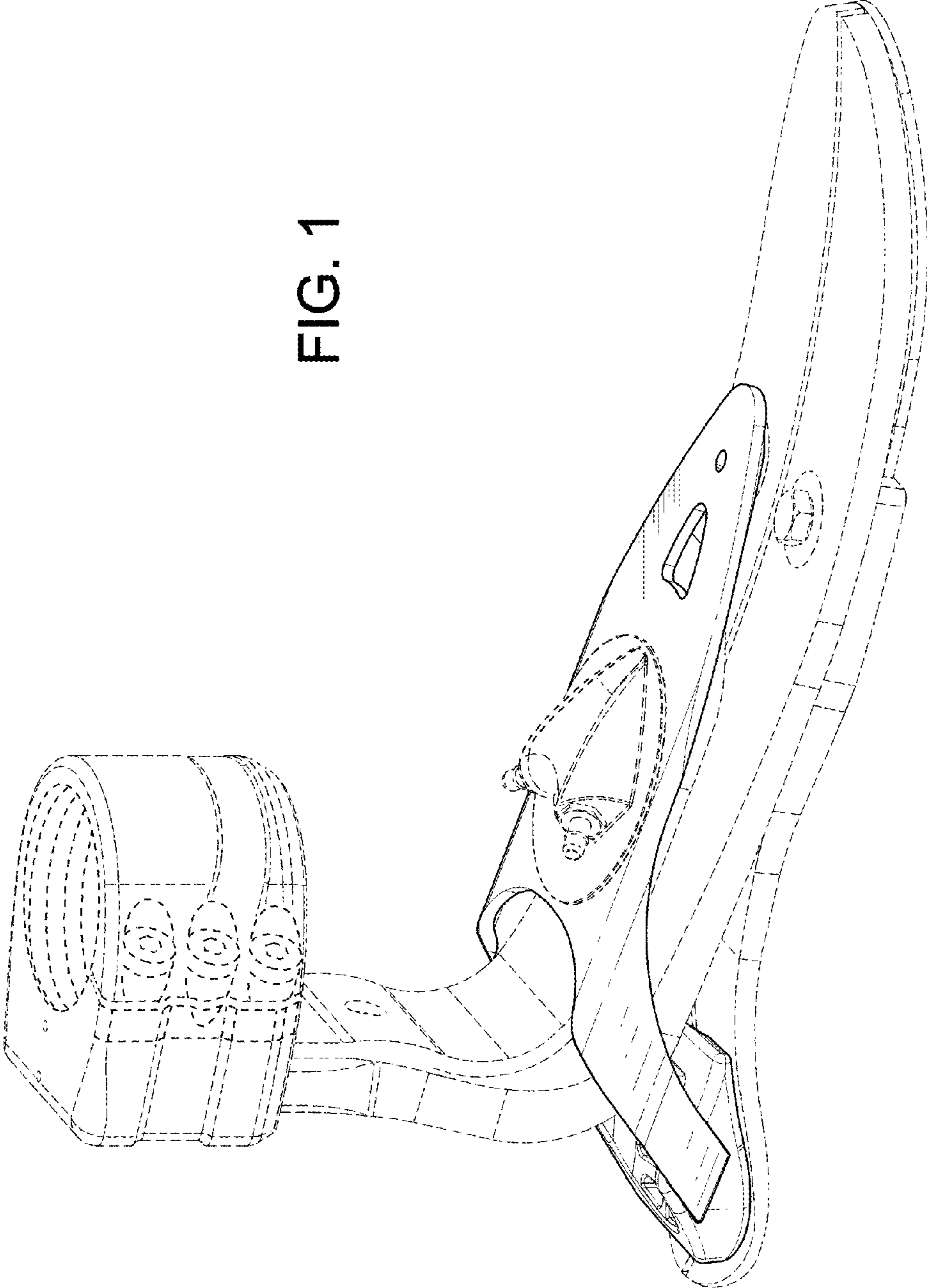
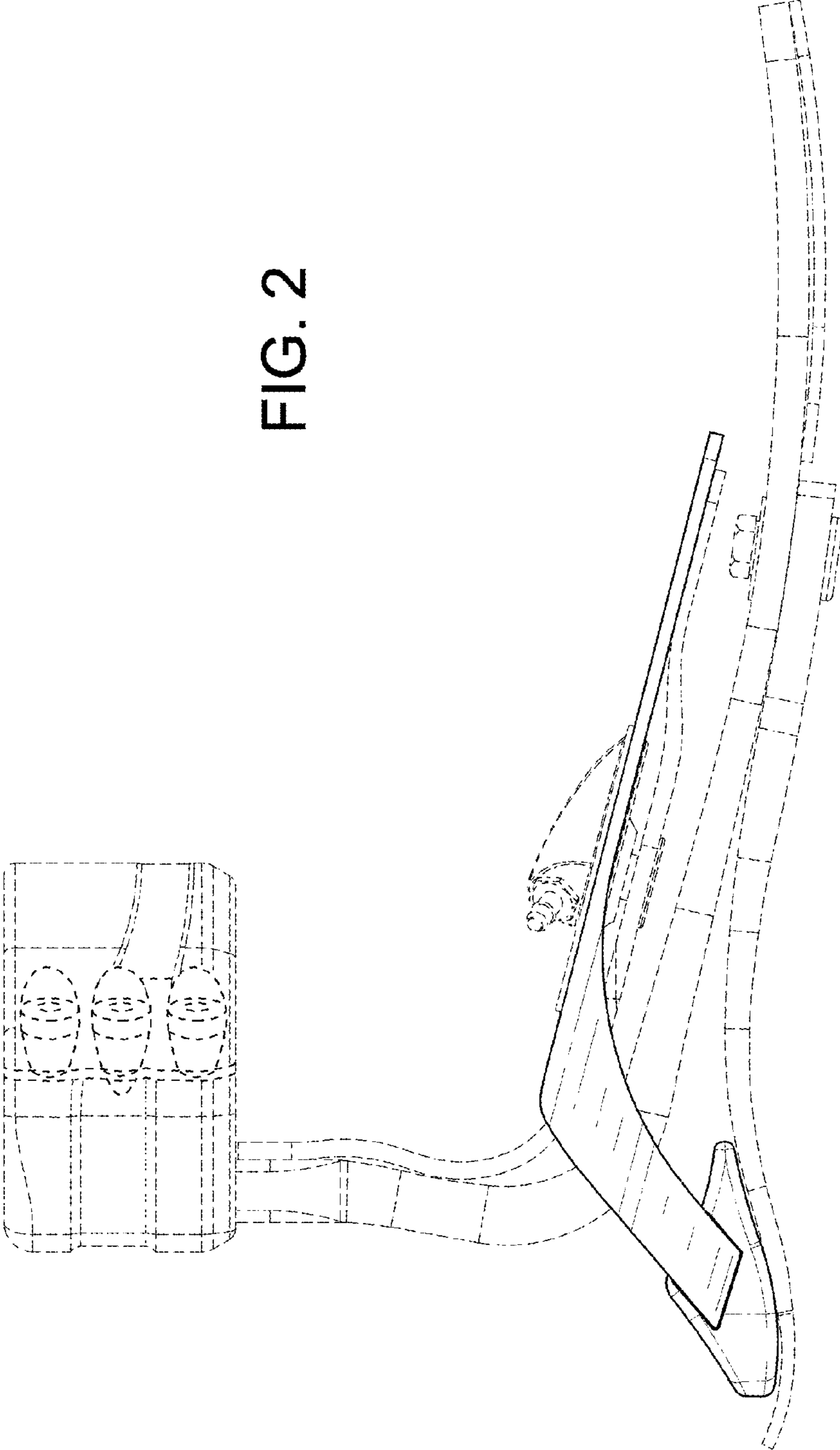


FIG. 2



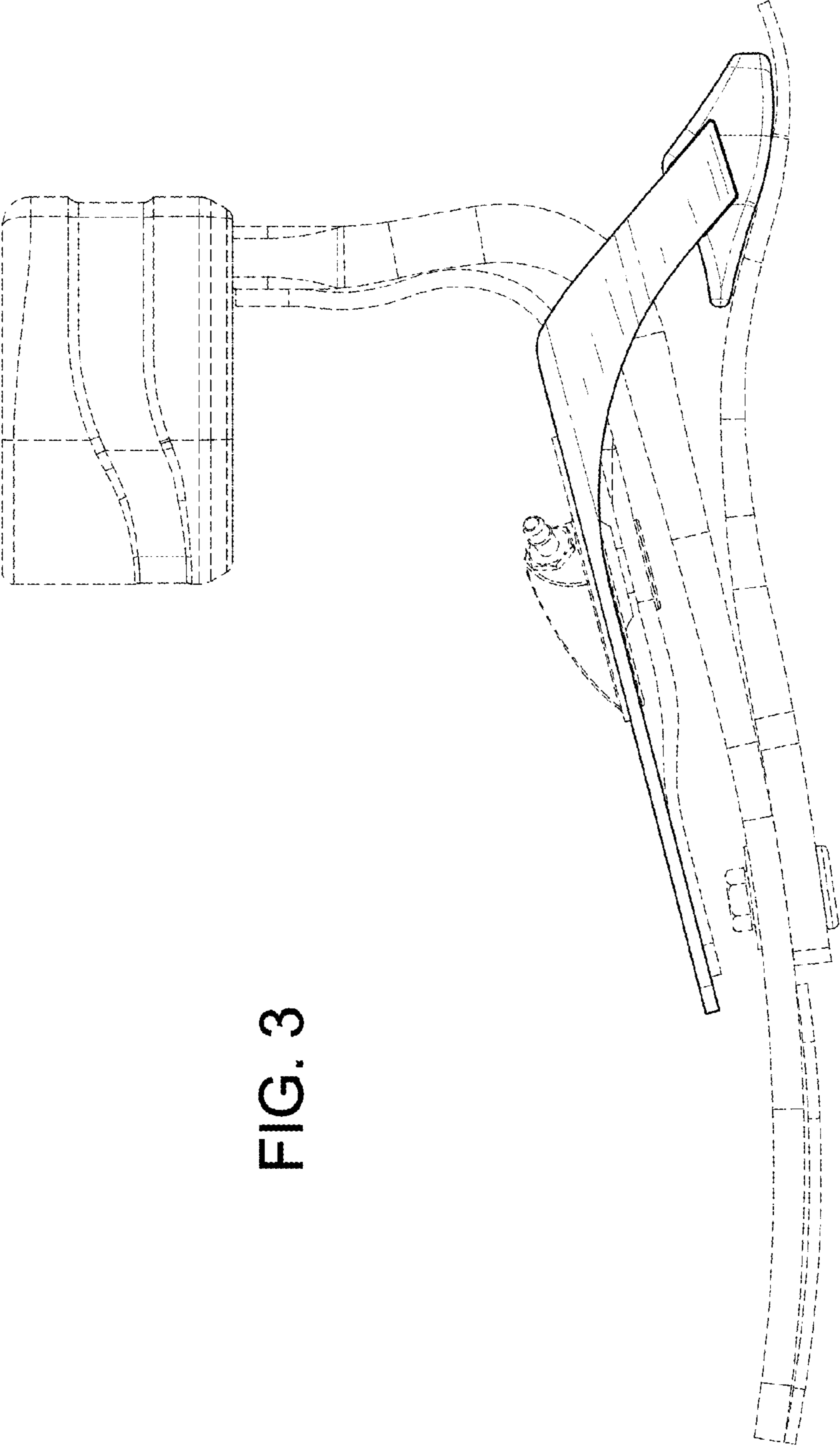


FIG. 3

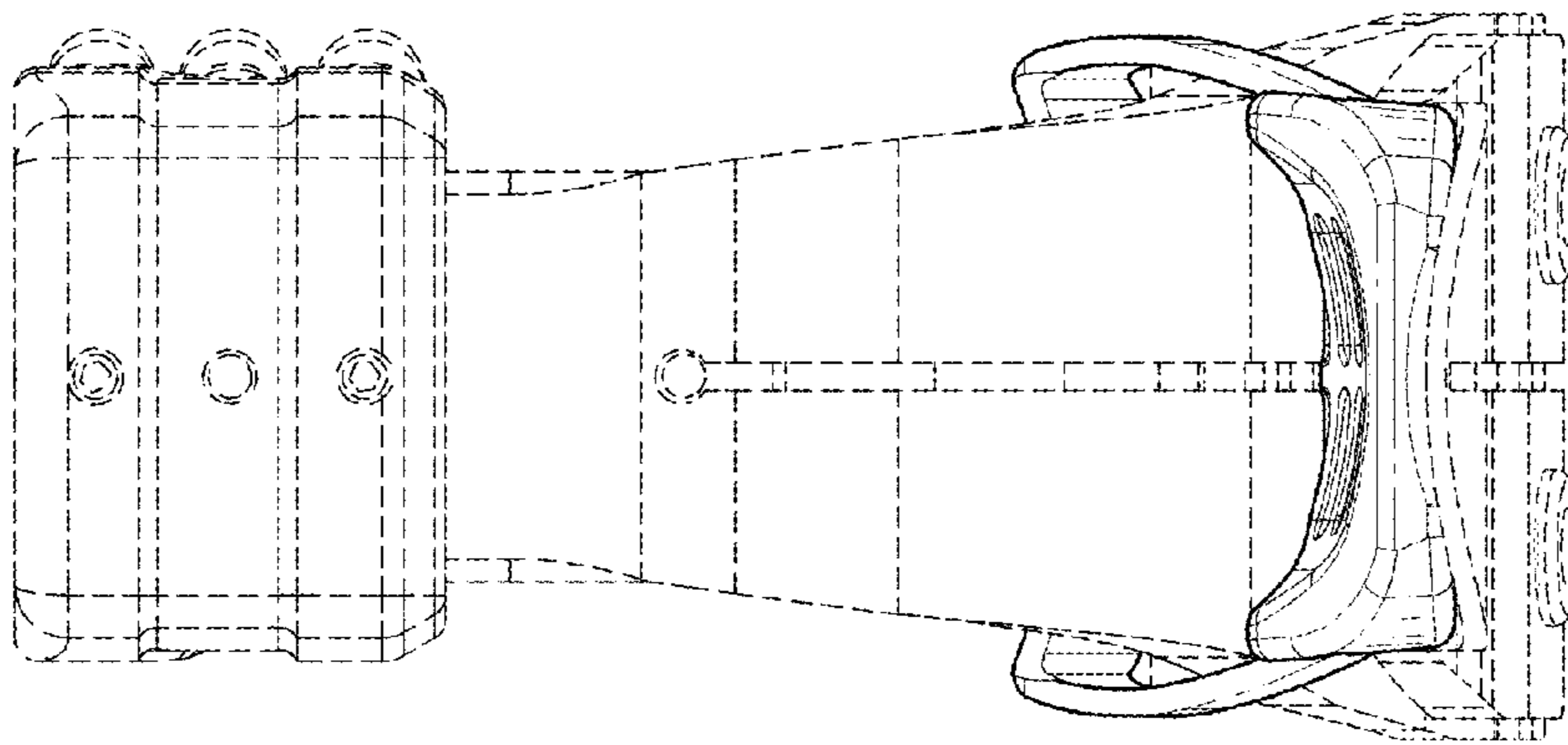


FIG. 5

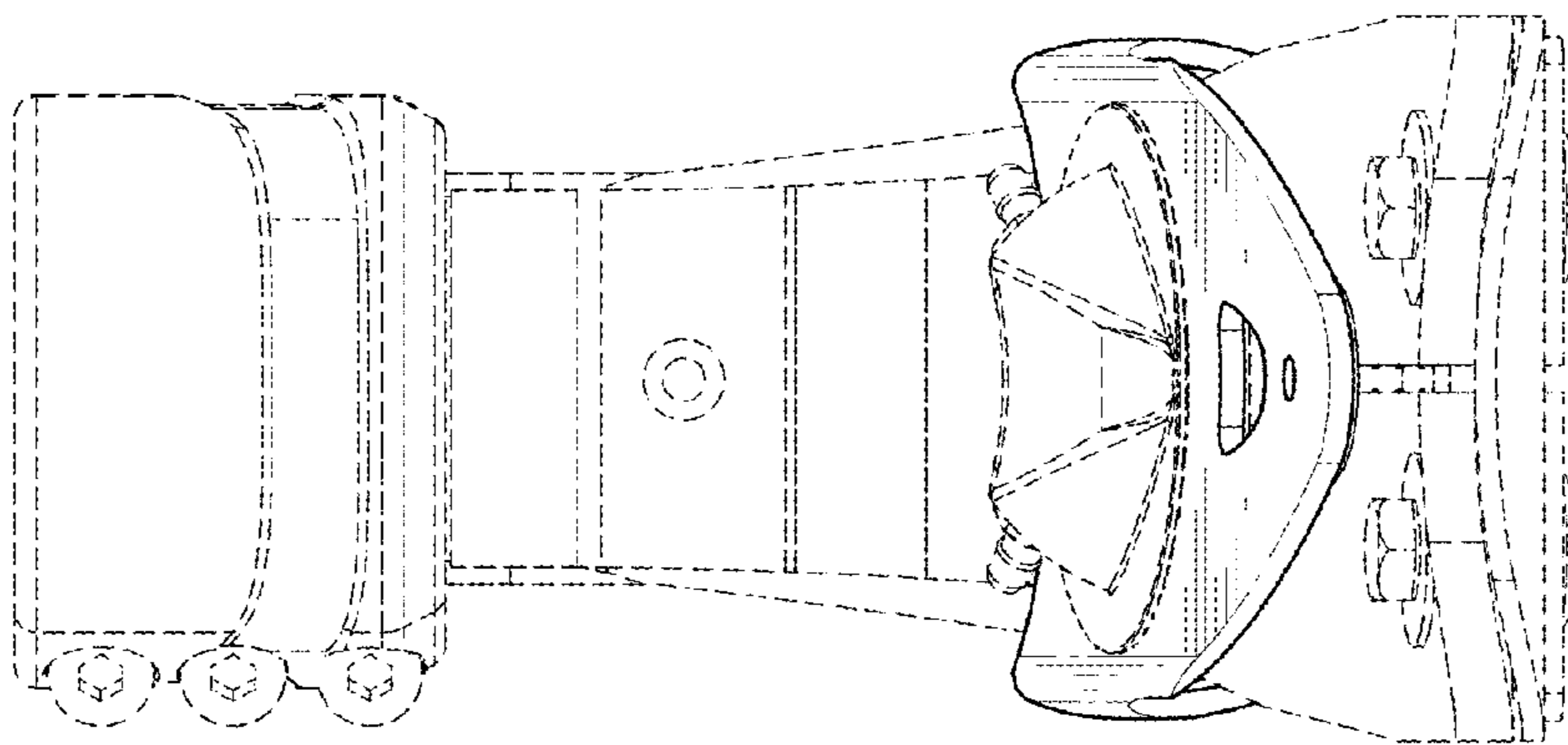


FIG. 4

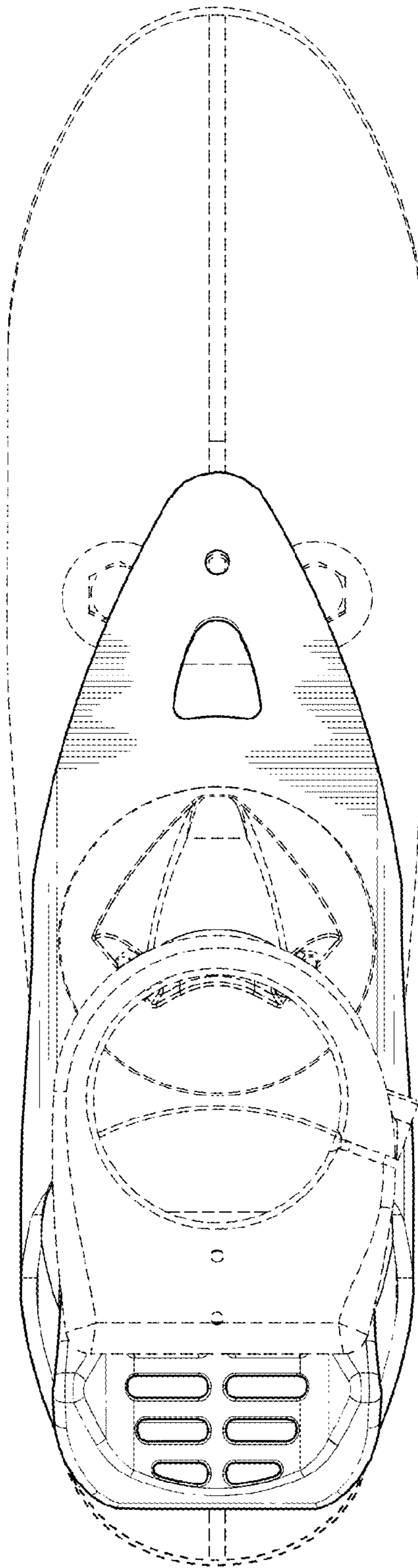


FIG. 6

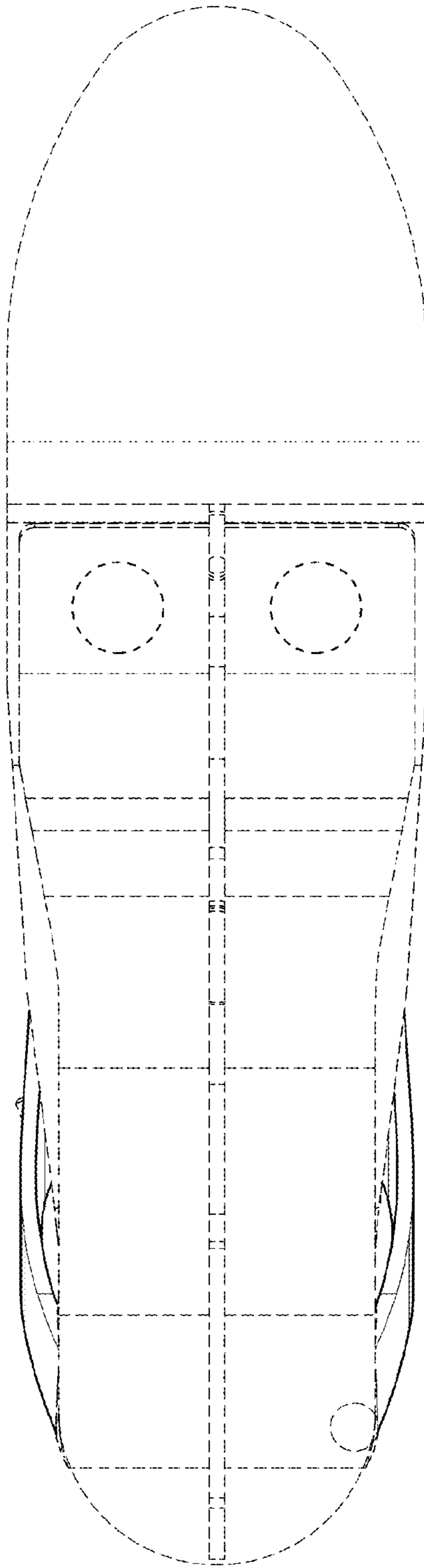


FIG. 7