



US00D718858S

(12) **United States Design Patent**
Kim

(10) **Patent No.:** **US D718,858 S**
(45) **Date of Patent:** **** Dec. 2, 2014**

(54) **DENTAL FILING TOOL**

(71) Applicant: **Daniel Sung-Yul Kim**, Vancouver, WA
(US)

(72) Inventor: **Daniel Sung-Yul Kim**, Vancouver, WA
(US)

(**) Term: **14 Years**

(21) Appl. No.: **29/439,816**

(22) Filed: **Dec. 14, 2012**

Related U.S. Application Data

(63) Continuation of application No. 13/715,733, filed on
Dec. 14, 2012, now Pat. No. 8,602,778.

(51) **LOC (10) Cl.** **24-02**

(52) **U.S. Cl.**
USPC **D24/152; D24/147**

(58) **Field of Classification Search**
USPC D24/133, 146-147, 152, 155-156, 176;
D8/90, 98, 107; D28/65; 132/321, 329;
433/141-144, 146-149, 166
See application file for complete search history.

(56) **References Cited**

U.S. PATENT DOCUMENTS

D576,730 S * 9/2008 Kim D24/152
7,455,521 B2 * 11/2008 Fishburne, Jr. 433/142

7,824,182 B2 *	11/2010	Kim	433/142
7,914,284 B2 *	3/2011	Kim	433/142
8,506,295 B2 *	8/2013	Rek	433/166
8,535,057 B2 *	9/2013	Kim	433/142
2006/0063131 A1 *	3/2006	Kim	433/142
2006/0183075 A1 *	8/2006	Kim	433/142
2014/0038131 A1 *	2/2014	Kim	433/142

* cited by examiner

Primary Examiner — Wan Laymon

(74) *Attorney, Agent, or Firm* — Mark E. Beatty; Kurt M. Rylander; Rylander & Associates PC

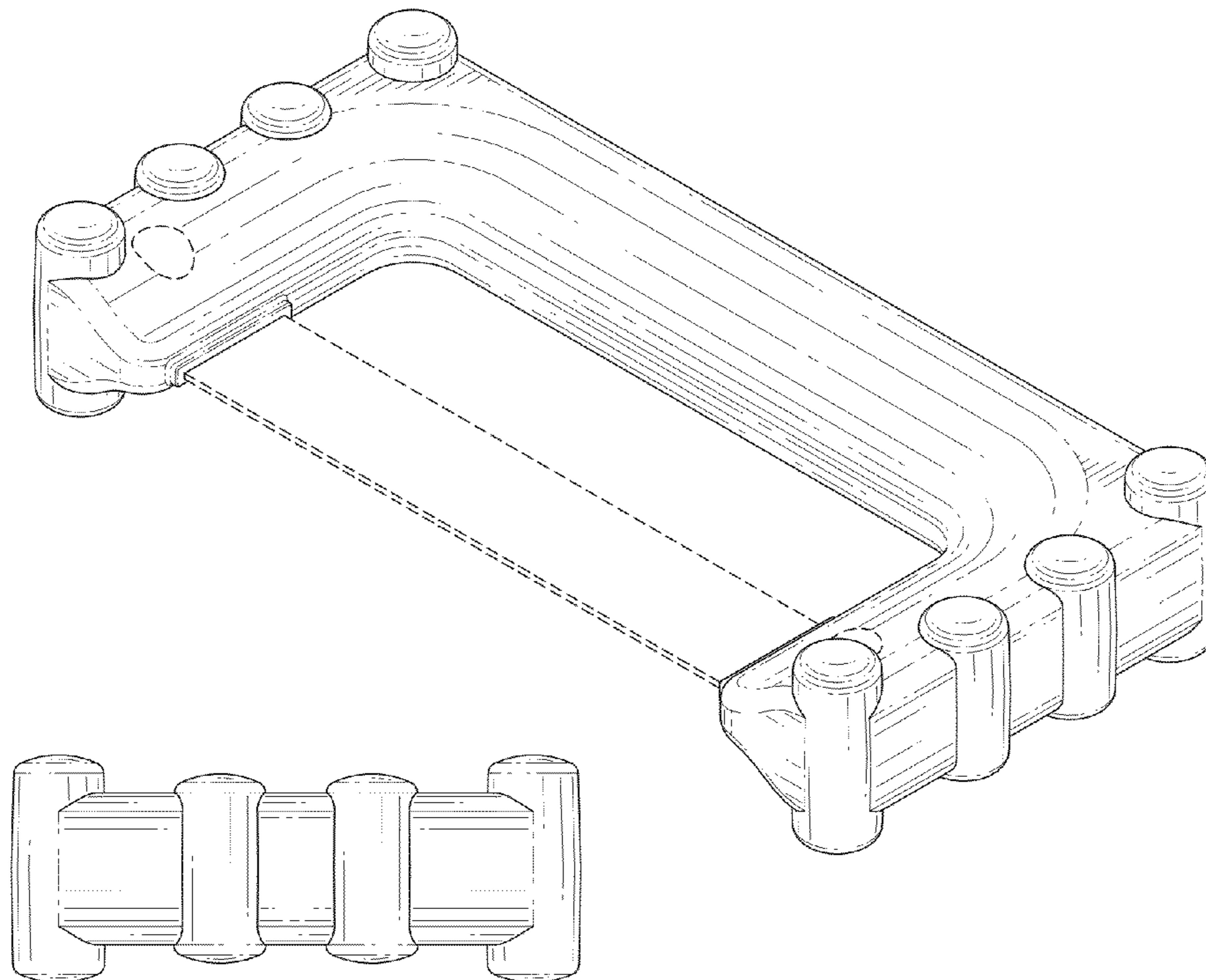
(57) **CLAIM**

The ornamental design for a dental filing tool, as shown and described.

DESCRIPTION

FIG. 1 shows a perspective view of the design.
FIG. 2 shows bottom edge view of the design.
FIG. 3 shows a top edge view of the design.
FIG. 4 shows front view of the design, which is an identical mirror image of the back view (and therefore not shown); and, FIG. 5 shows a first side view of the design.
The opposed second side is identical to that shown in FIG. 5 and so not shown separately.
The broken lines shown in the figures are included for the purpose of illustrating portions of the dental filing tool and form no part of the claimed design.

1 Claim, 3 Drawing Sheets



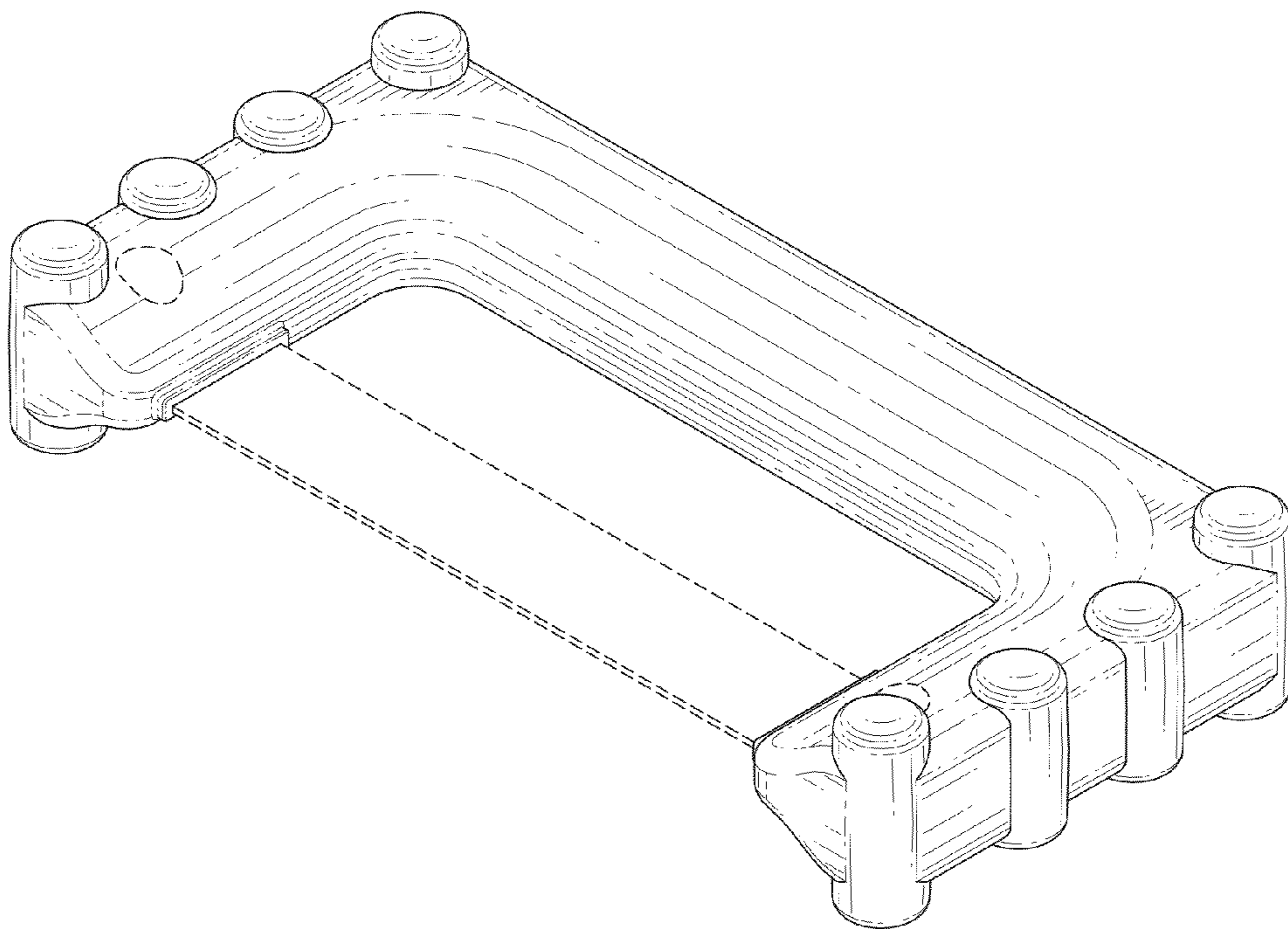


FIG.1

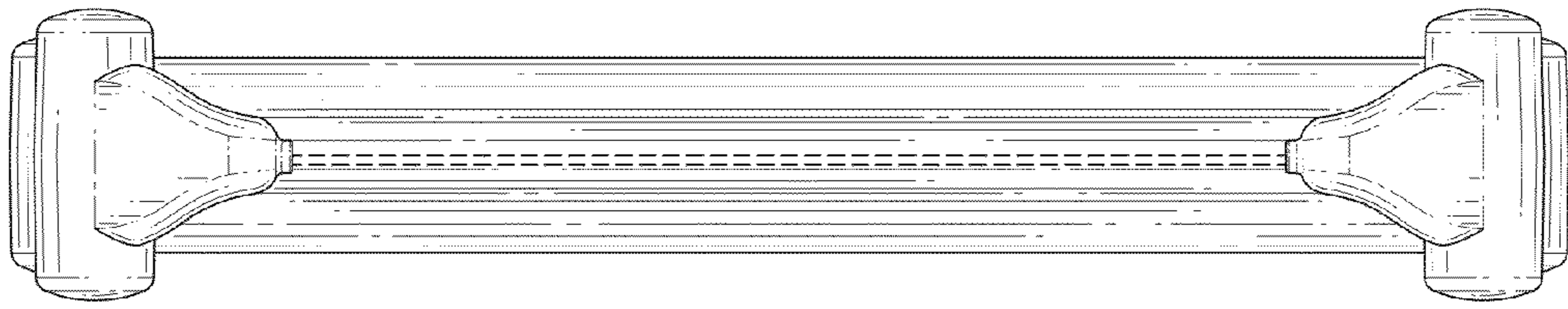


FIG. 2

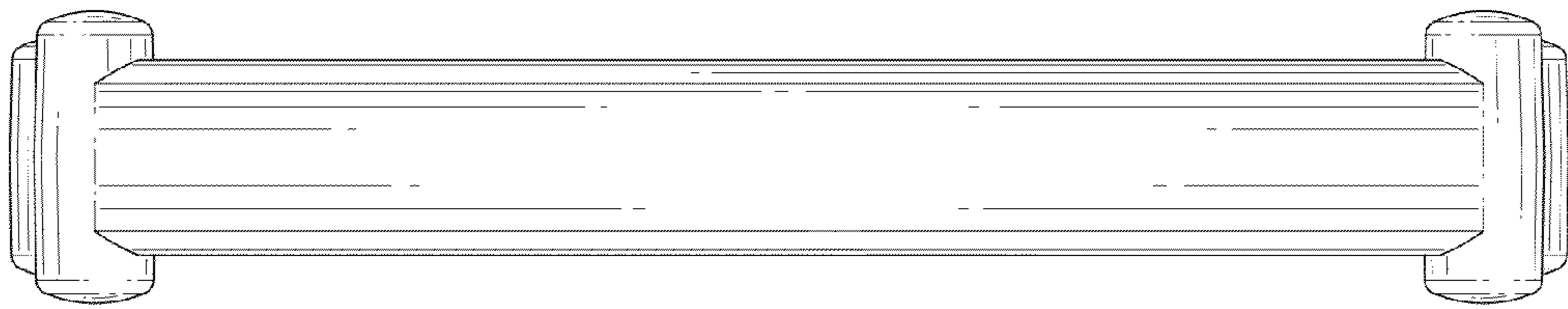


FIG. 3



FIG. 4

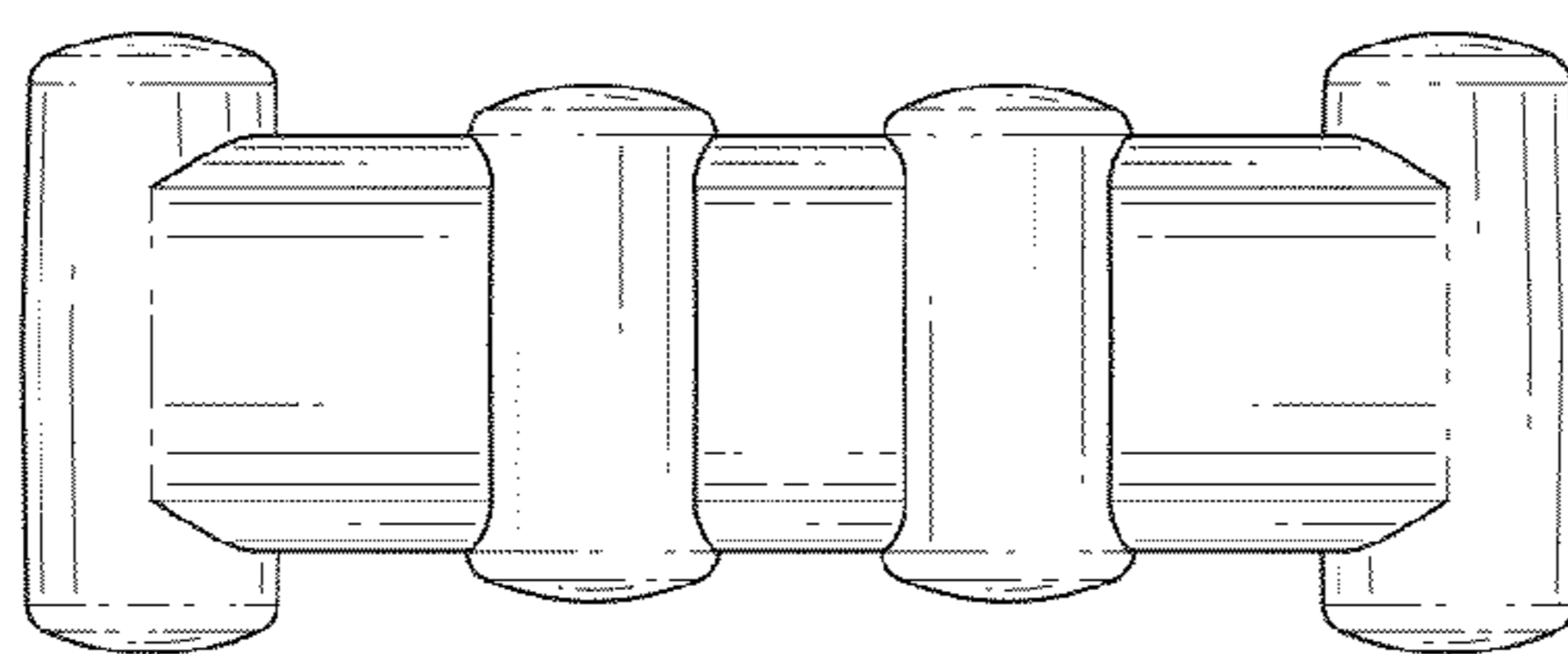


FIG. 5