



US00D718857S

(12) **United States Design Patent**  
**Hernández Herrero et al.**

(10) **Patent No.:** **US D718,857 S**  
(45) **Date of Patent:** **\*\* Dec. 2, 2014**

(54) **VAGINAL APPLICATOR**

- (71) Applicant: **Laboratorios León Farma, S.A.**,  
Villaquilambre (ES)
- (72) Inventors: **Gonzalo Hernández Herrero**, Madrid  
(ES); **Celestino Ronchi**, Milan (IT);  
**Mauro Citterio**, Merate (IT)
- (73) Assignee: **Laboratorios León Farma, S.A.**,  
Villaquilambre (ES)
- (\*\*) Term: **14 Years**
- (21) Appl. No.: **29/443,954**
- (22) Filed: **Jan. 24, 2013**

(30) **Foreign Application Priority Data**

Jul. 24, 2012 (EM) ..... D002078451

(51) **LOC (10) Cl.** ..... **24-02**

(52) **U.S. Cl.**  
USPC ..... **D24/141**

(58) **Field of Classification Search**  
USPC ..... D24/141, 112–114; 604/11, 15, 27–28,  
604/57, 59, 60–62, 73, 187, 218, 226  
See application file for complete search history.

(56) **References Cited**

**U.S. PATENT DOCUMENTS**

4,421,504	A *	12/1983	Kline	604/15
D279,504	S *	7/1985	Tump	D24/114
D320,084	S *	9/1991	Stewart et al.	D24/141
5,788,664	A *	8/1998	Scalise	604/15
5,860,946	A	1/1999	Hofstatter	
7,104,968	B2 *	9/2006	Swick	604/57
7,118,550	B2 *	10/2006	Loomis	604/60
7,591,808	B2 *	9/2009	DiPiano et al.	604/15
8,574,189	B2 *	11/2013	Poutiatine et al.	604/59
2003/0195459	A1	10/2003	Shippert	
2006/0217652	A1	9/2006	Heuer et al.	

**FOREIGN PATENT DOCUMENTS**

DE	3031408	A1	3/1982
FR	2610831	A1	8/1988
WO	WO03101525	A1	12/2003
WO	WO13020922	A1	2/2013

**OTHER PUBLICATIONS**

International Search Report of the ISA for International Application No. PCT/EP2012/0605270 issued by the EPO and dated Sep. 7, 2012, Rijswijk Netherlands.

\* cited by examiner

*Primary Examiner* — Wan Laymon

(74) *Attorney, Agent, or Firm* — Peter B. Scull; Hamilton, DeSanctis & Cha LLP

(57) **CLAIM**

The ornamental design for a vaginal applicator, as shown and described.

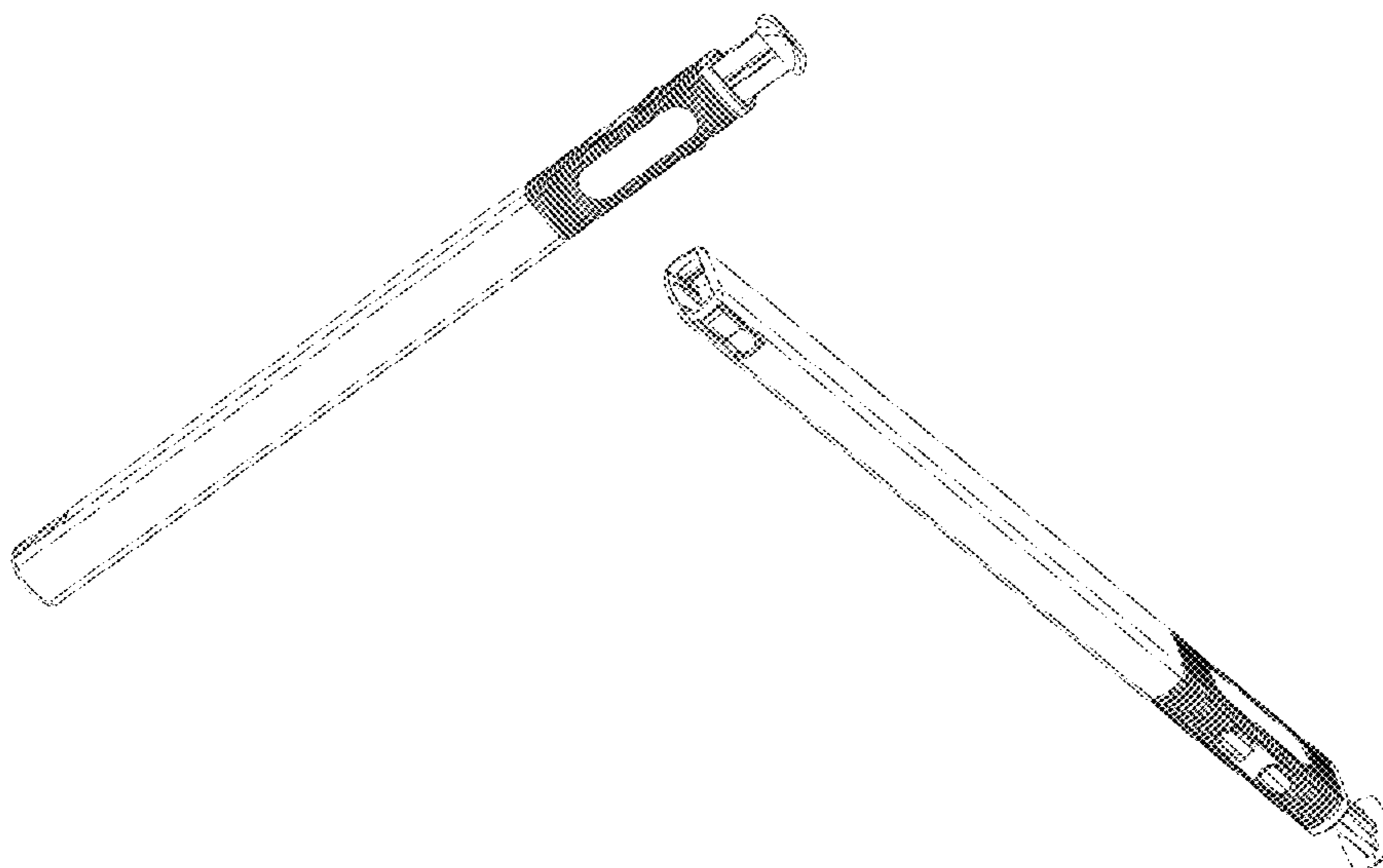
**DESCRIPTION**

FIG. 1 is an isometric top view of a vaginal applicator; FIG. 2 is a first side isometric view thereof; FIG. 3 is a second side isometric view thereof; FIG. 4 is a top plan view thereof, the bottom plan view being similar; FIG. 5 is a side view thereof, the other side view being similar; FIG. 6 is a first end elevational view thereof, shown at an enlarged scale, the portions shown in broken lines form no part of the claimed design; and, FIG. 7 is a second end elevational view thereof, shown at an enlarged scale.

The portions of the drawings shown in broken lines form no part of the claimed design.

A vaginal applicator hereof is used for insertion of a desirable object, pharmaceutical or the like within the vaginal cavity.

**1 Claim, 6 Drawing Sheets**



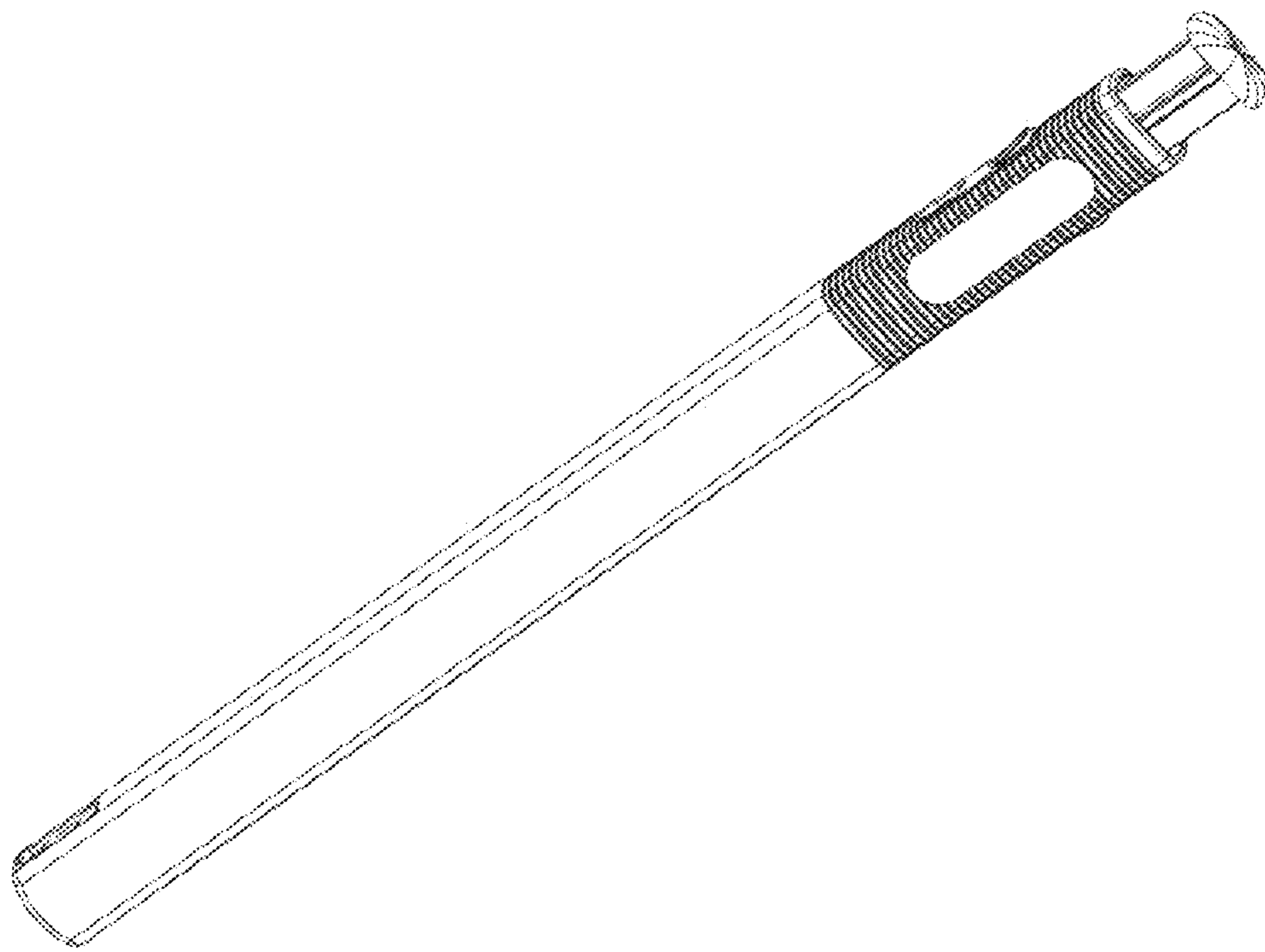


FIG.1

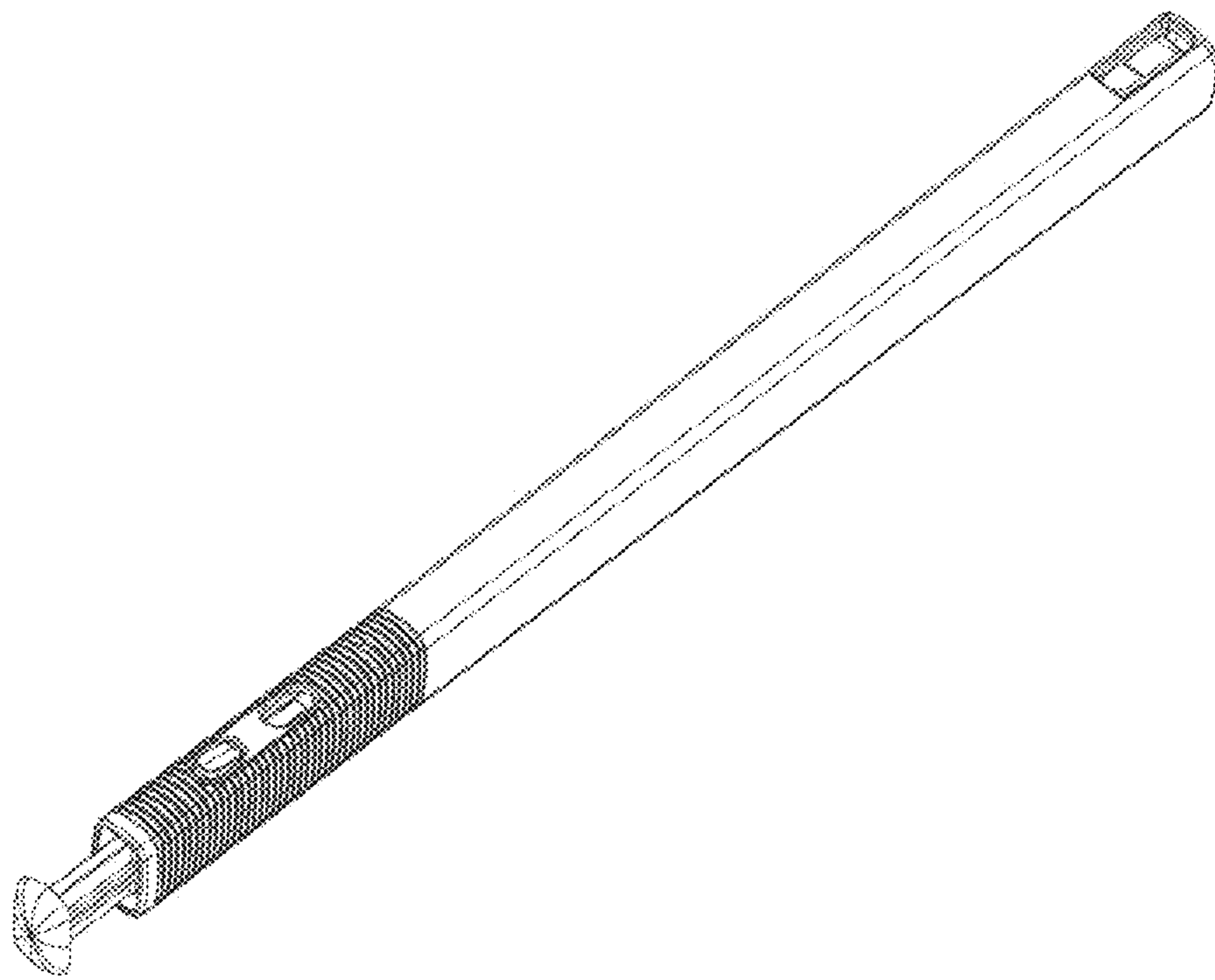


FIG.2

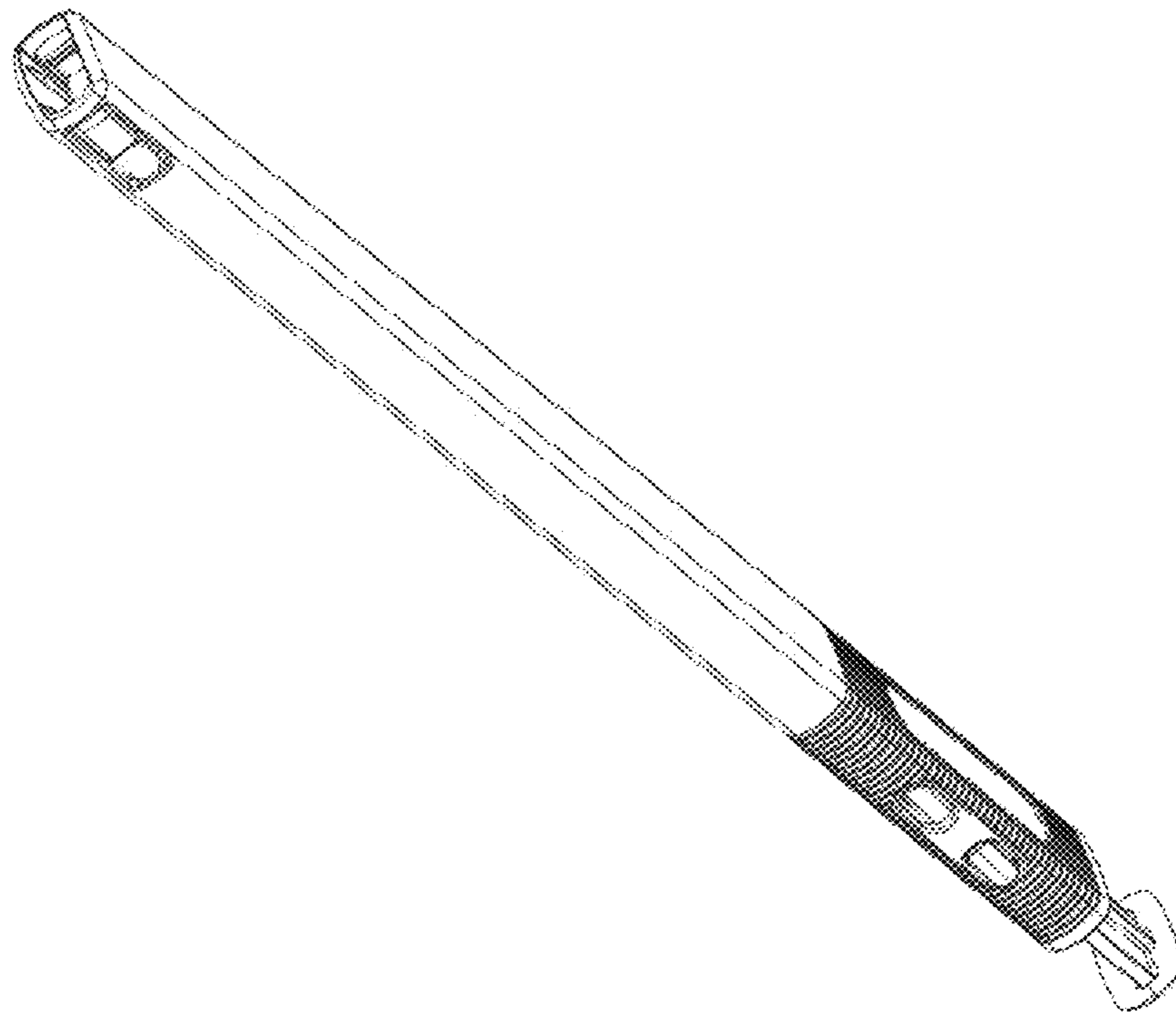


FIG.3

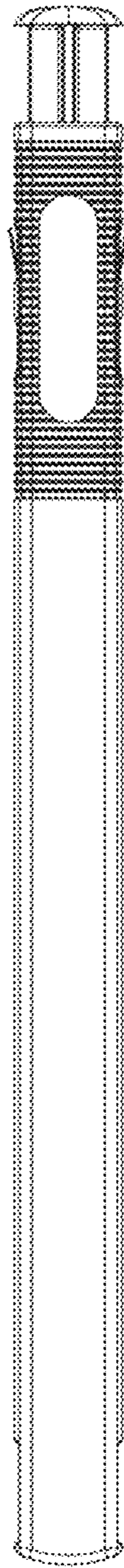


FIG.4

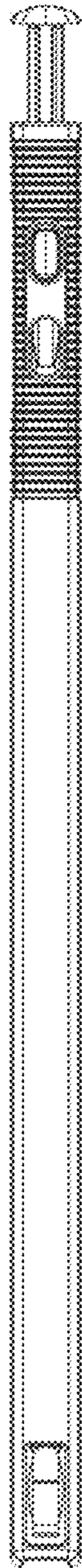


FIG.5

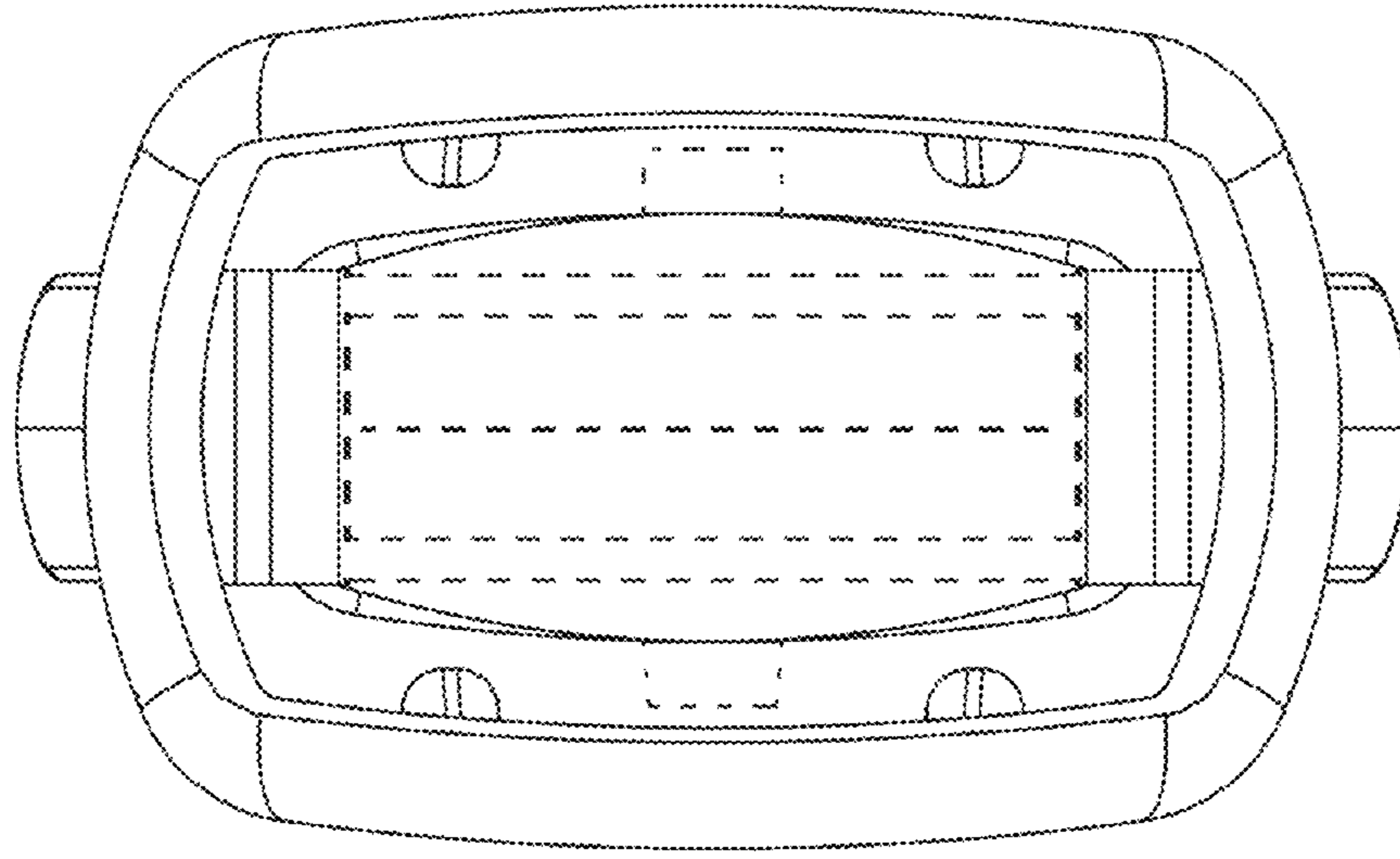


FIG. 6

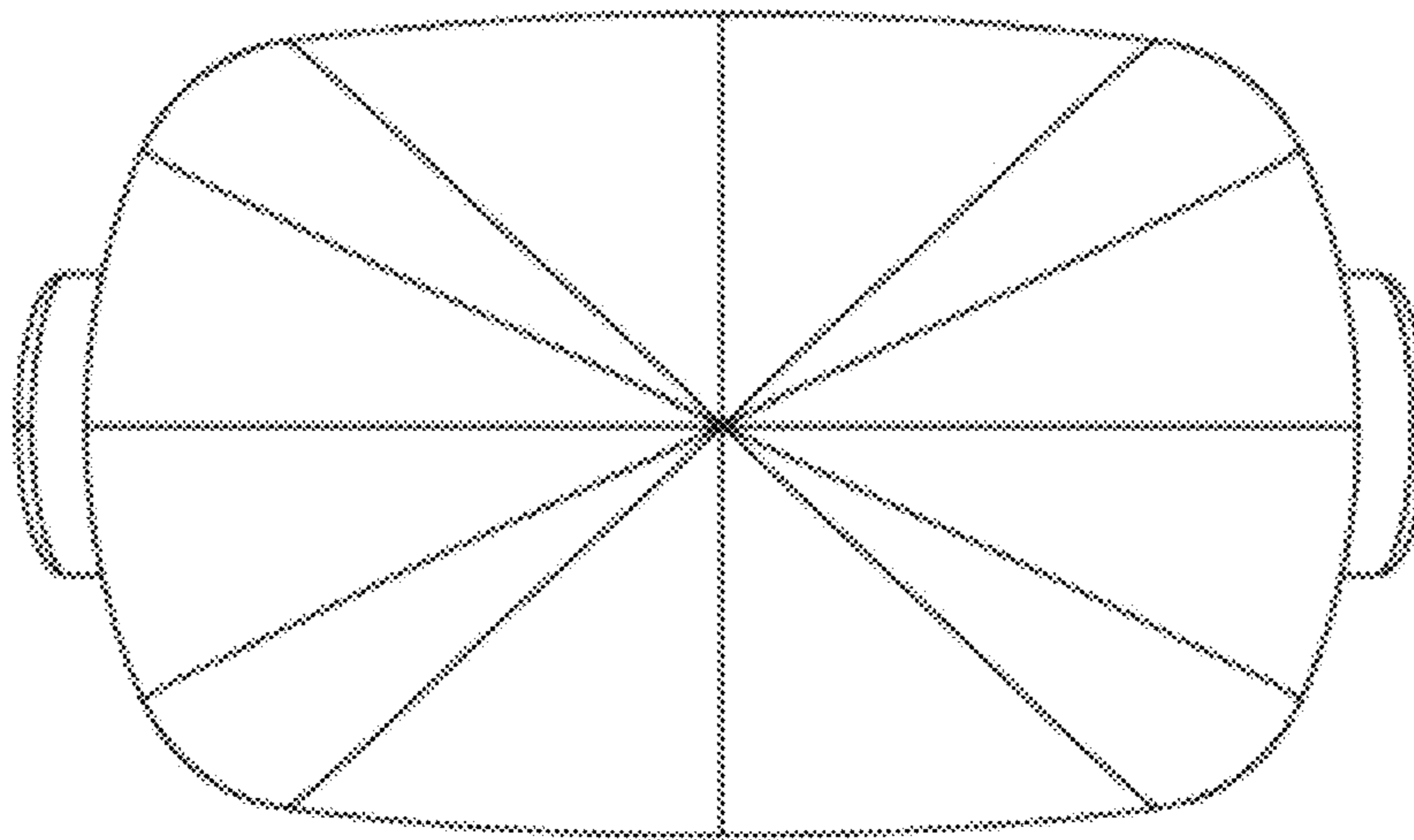


FIG. 7