



US00D718856S

(12) **United States Design Patent**
Altschuler

(10) **Patent No.:** **US D718,856 S**
(45) **Date of Patent:** **** Dec. 2, 2014**

(54) **SUCTION COBB PERIOSTEAL ELEVATOR**

(71) Applicant: **Eric Altschuler**, Bethel Park, PA (US)

(72) Inventor: **Eric Altschuler**, Bethel Park, PA (US)

(73) Assignee: **Eric M. Altschuler**, Bethel Park, PA (US)

(**) Term: **14 Years**

(21) Appl. No.: **29/453,069**

(22) Filed: **Apr. 24, 2013**

(51) **LOC (10) Cl.** **24-02**

(52) **U.S. Cl.**
USPC **D24/135**

(58) **Field of Classification Search**

CPC A61M 29/00; A61B 17/22; A61B 17/320708; A61B 2018/00976; A61B 18/14
USPC D24/135, 133, 140, 143, 170, 176
See application file for complete search history.

(56) **References Cited**

U.S. PATENT DOCUMENTS

D318,116 S *	7/1991	Michelson	D24/147
D368,963 S *	4/1996	Gomes	D24/139
D372,311 S *	7/1996	Koros et al.	D24/147
D390,659 S *	2/1998	Chan et al.	D24/133
D414,866 S *	10/1999	Szabo	D24/147
D547,864 S *	7/2007	Rau et al.	D24/133
D704,336 S *	5/2014	Chon et al.	D24/144
2001/0004695 A1 *	6/2001	Vercellotti et al.	606/79

2007/0123985 A1 *	5/2007	Errico et al.	623/17.11
2007/0179343 A1 *	8/2007	Shelokov	600/205
2010/0240005 A1 *	9/2010	Gordon et al.	433/93
2014/0163595 A1 *	6/2014	Witt et al.	606/169
2014/0172105 A1 *	6/2014	Frasier et al.	623/17.16

FOREIGN PATENT DOCUMENTS

EP 2438876 A1 * 4/2012 A61B 18/14

* cited by examiner

Primary Examiner — Bridget L Eland

(74) *Attorney, Agent, or Firm* — Qualres & Brady LLP

(57) **CLAIM**

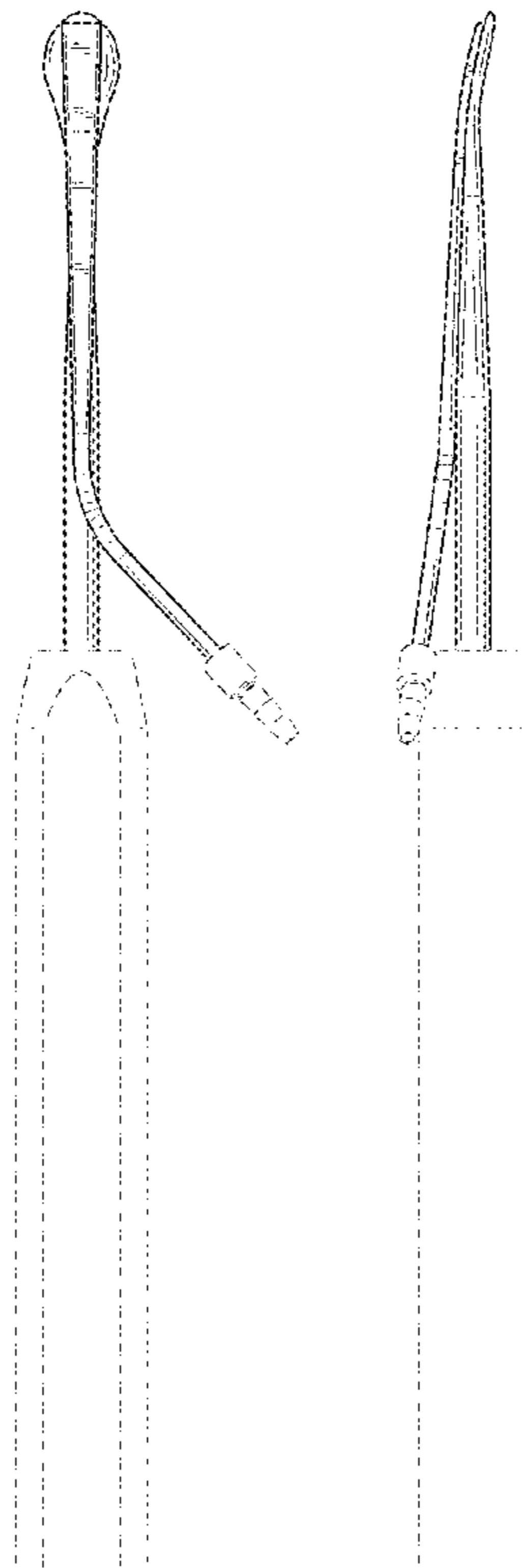
The ornamental design for a suction cobb periosteal elevator, as shown and described.

DESCRIPTION

FIG. 1 is a first perspective view of a suction cobb periosteal elevator showing my new design;
FIG. 2 is a second perspective view thereof;
FIG. 3 is a first side view thereof;
FIG. 4 is a rear view thereof;
FIG. 5 is a second side view thereof;
FIG. 6 is a front view thereof;
FIG. 7 is a top view thereof; and,
FIG. 8 is a bottom view thereof.

The broken lines shown in the views are included for the purpose of illustrating portions of the suction cobb periosteal elevator that form no part of the claimed design.

1 Claim, 3 Drawing Sheets



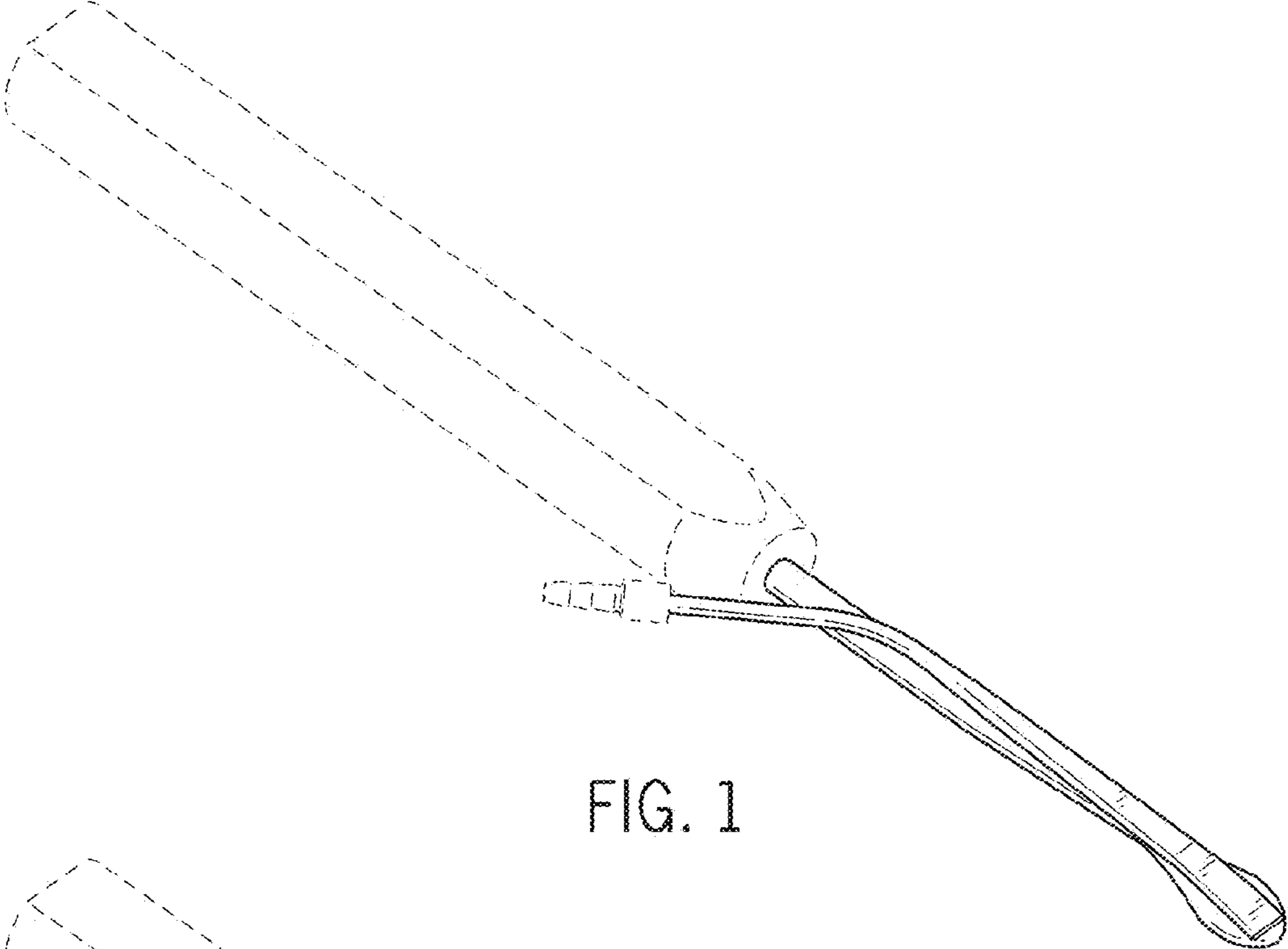


FIG. 1

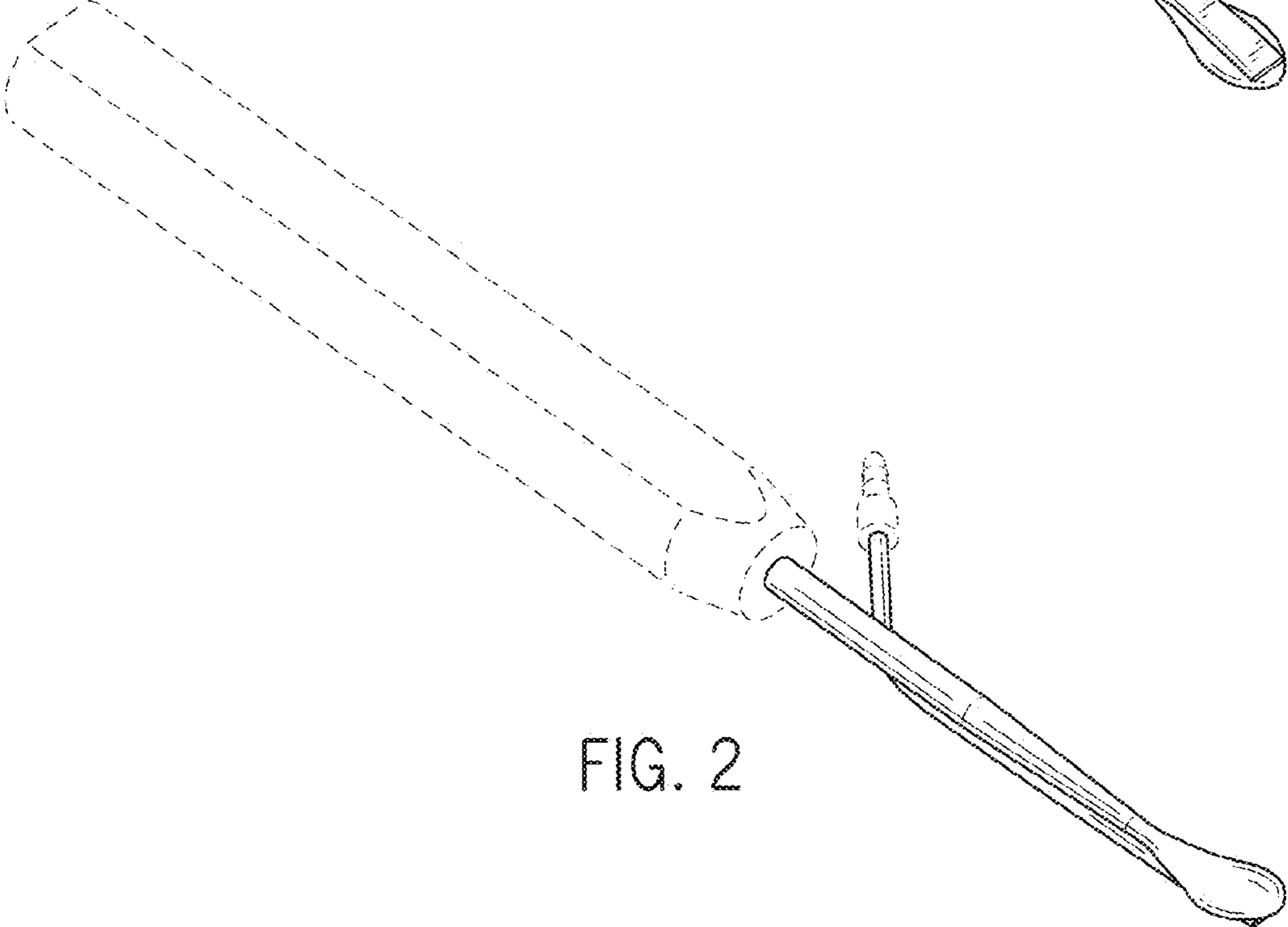


FIG. 2

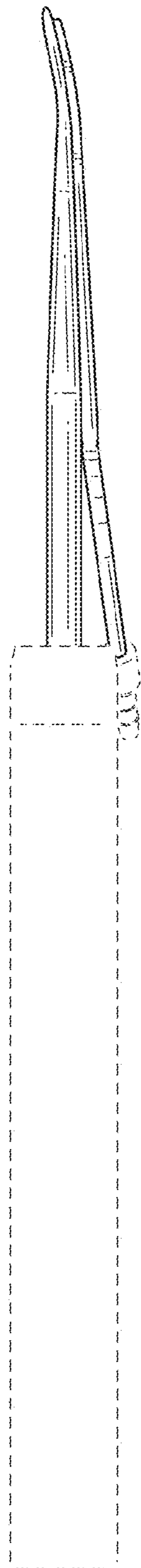


FIG. 3

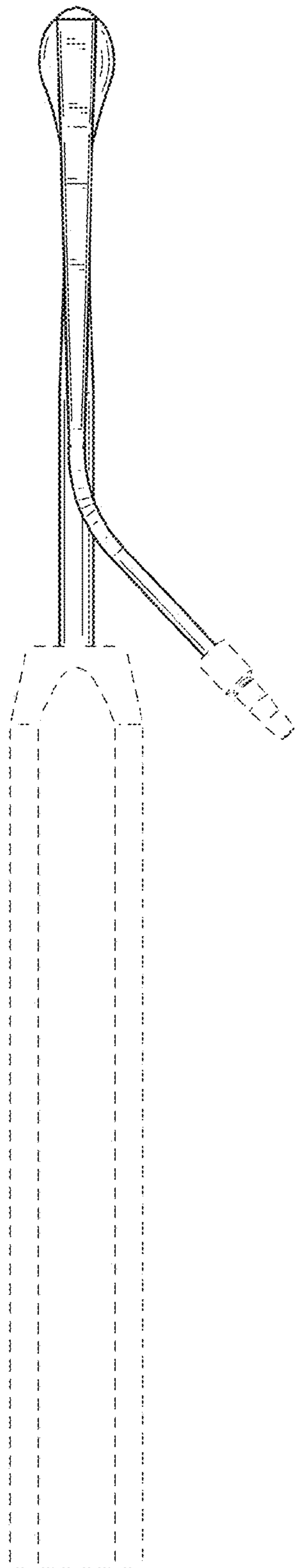


FIG. 4

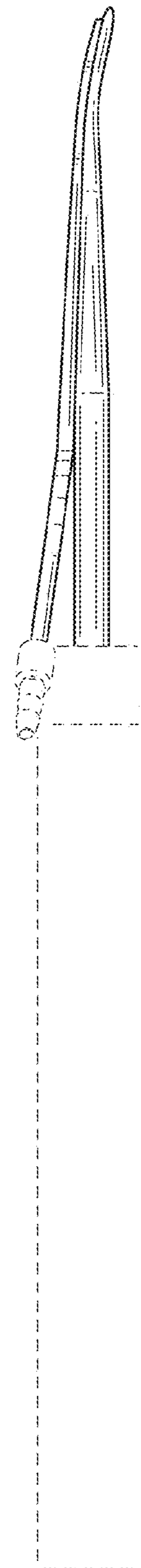


FIG. 5

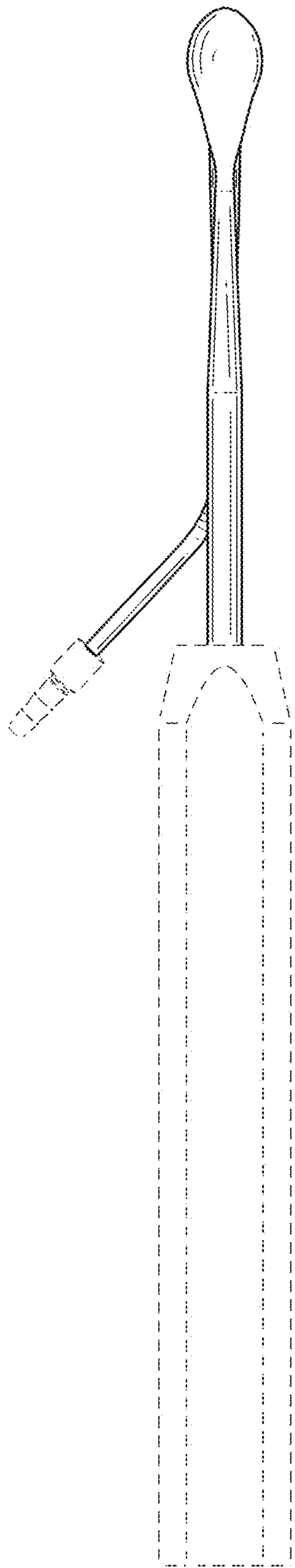


FIG. 6

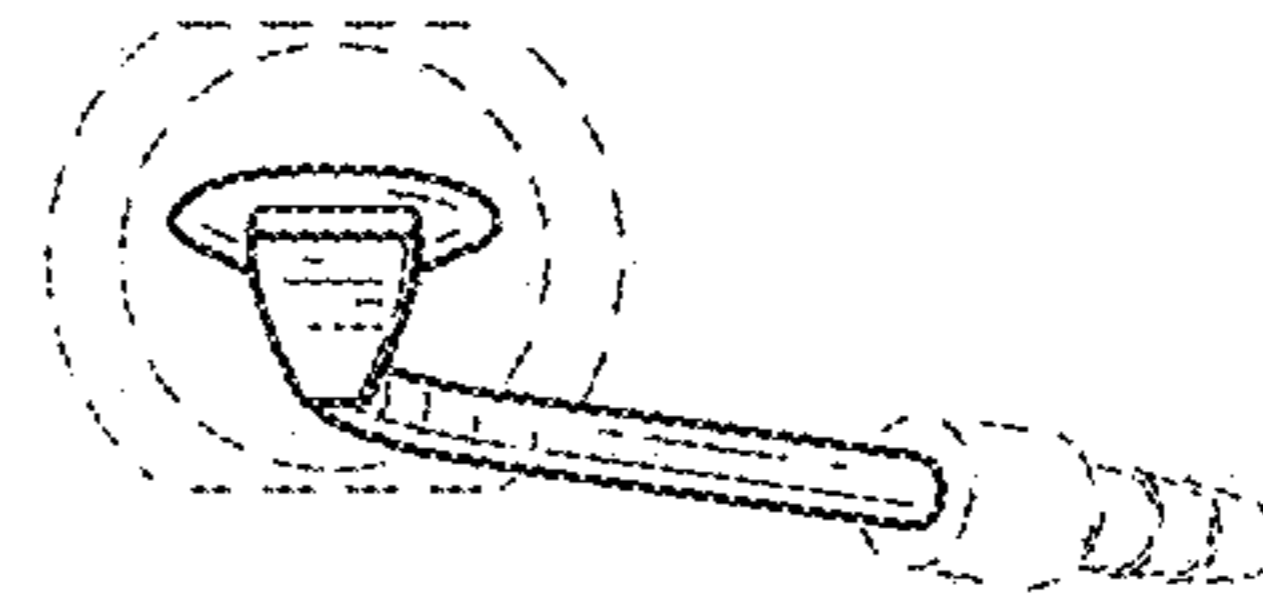


FIG. 7

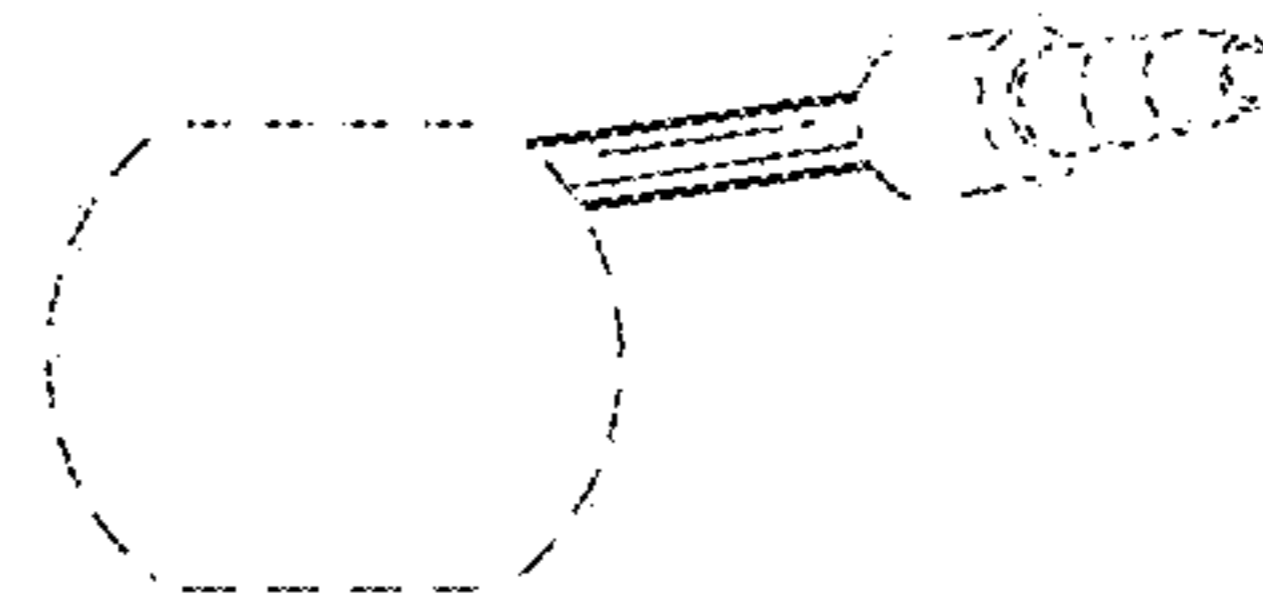


FIG. 8