



US00D718853S

(12) **United States Design Patent**  
**Lee**

(10) **Patent No.:** **US D718,853 S**  
(45) **Date of Patent:** **\*\* Dec. 2, 2014**

(54) **AIR FILTER AND BRACKET ASSEMBLY**

(71) Applicant: **Steven David Lee**, Kailua, HI (US)

(72) Inventor: **Steven David Lee**, Kailua, HI (US)

(73) Assignee: **Stealth Innovative Systems, LLC**,  
Kailua, HI (US)

(\*\*) Term: **14 Years**

(21) Appl. No.: **29/463,010**

(22) Filed: **Jul. 2, 2013**

(51) **LOC (10) Cl.** ..... **23-02**

(52) **U.S. Cl.**  
USPC ..... **D23/365**

(58) **Field of Classification Search**  
CPC .. B01D 46/00; B01D 46/0004; B01D 46/521;  
B01D 46/523; B01D 46/525; B01D 46/527  
USPC ..... D23/365, 209, 363, 358, 386, 354, 341,  
D23/364; 55/385.3, 502, 497, 506, 505,  
55/521, 495, 422, 493, DIG. 30; 210/435,  
210/130, 136, 248, 339, 448, 452, 497.1;  
D32/31; D15/5

See application file for complete search history.

(56) **References Cited**

**U.S. PATENT DOCUMENTS**

5,151,180 A \* 9/1992 Giordano et al. .... 210/497.1  
5,744,030 A \* 4/1998 Reid et al. .... 210/235

D424,676 S \* 5/2000 Hoshino ..... D23/365  
6,915,910 B2 \* 7/2005 Lutz et al. .... 210/485  
7,138,054 B2 \* 11/2006 Harms et al. .... 210/232  
7,387,726 B2 \* 6/2008 Wolf et al. .... 210/232  
7,572,306 B2 \* 8/2009 Hawkins et al. .... 55/310  
D600,775 S \* 9/2009 Schmitt et al. .... D23/209  
7,976,602 B2 \* 7/2011 Munkel ..... 55/502  
8,057,669 B2 \* 11/2011 Beard et al. .... 210/232  
D666,282 S \* 8/2012 Taylor ..... D23/358  
D705,412 S \* 5/2014 Dworatzek et al. .... D23/365  
8,753,415 B2 \* 6/2014 Coulonvaux et al. .... 55/502

\* cited by examiner

*Primary Examiner* — David Muller

(74) *Attorney, Agent, or Firm* — Keri Ann K. S. Krzykowski;  
Martin E. Hsia

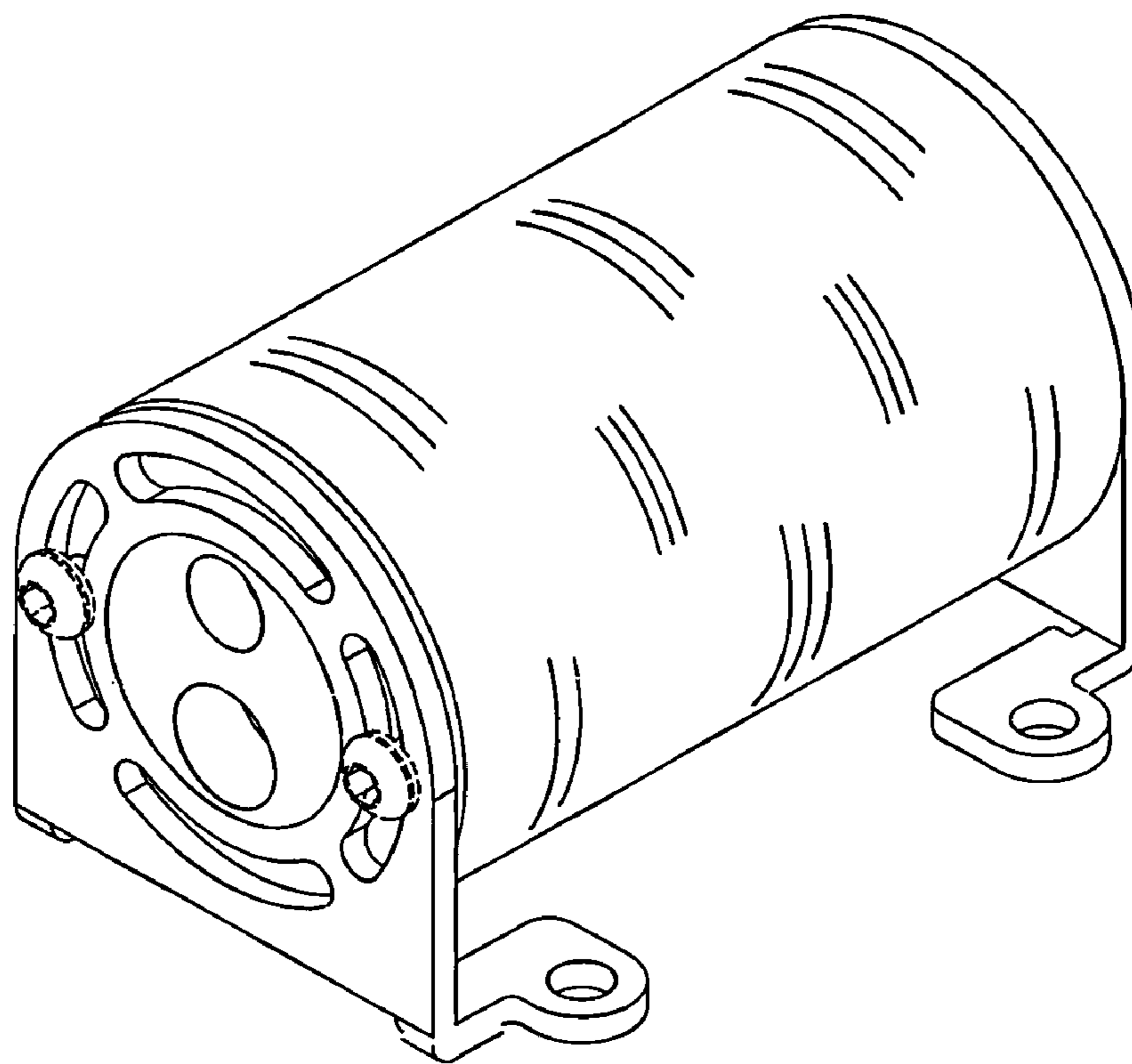
(57) **CLAIM**

The ornamental design for an air filter and bracket assembly,  
as shown and described.

**DESCRIPTION**

FIG. 1 is a perspective view of a presently preferred embodi-  
ment of the air filter and bracket assembly of my new design  
from the upper front right;  
FIG. 2 is a perspective view thereof, from the lower front  
right;  
FIG. 3 is a perspective view thereof, from the upper rear left;  
and,  
FIG. 4 is a perspective view thereof, from the lower rear left.  
The broken lines in FIGS. 1-4 show unclaimed subject matter,  
and form no part of the claimed design.

**1 Claim, 2 Drawing Sheets**



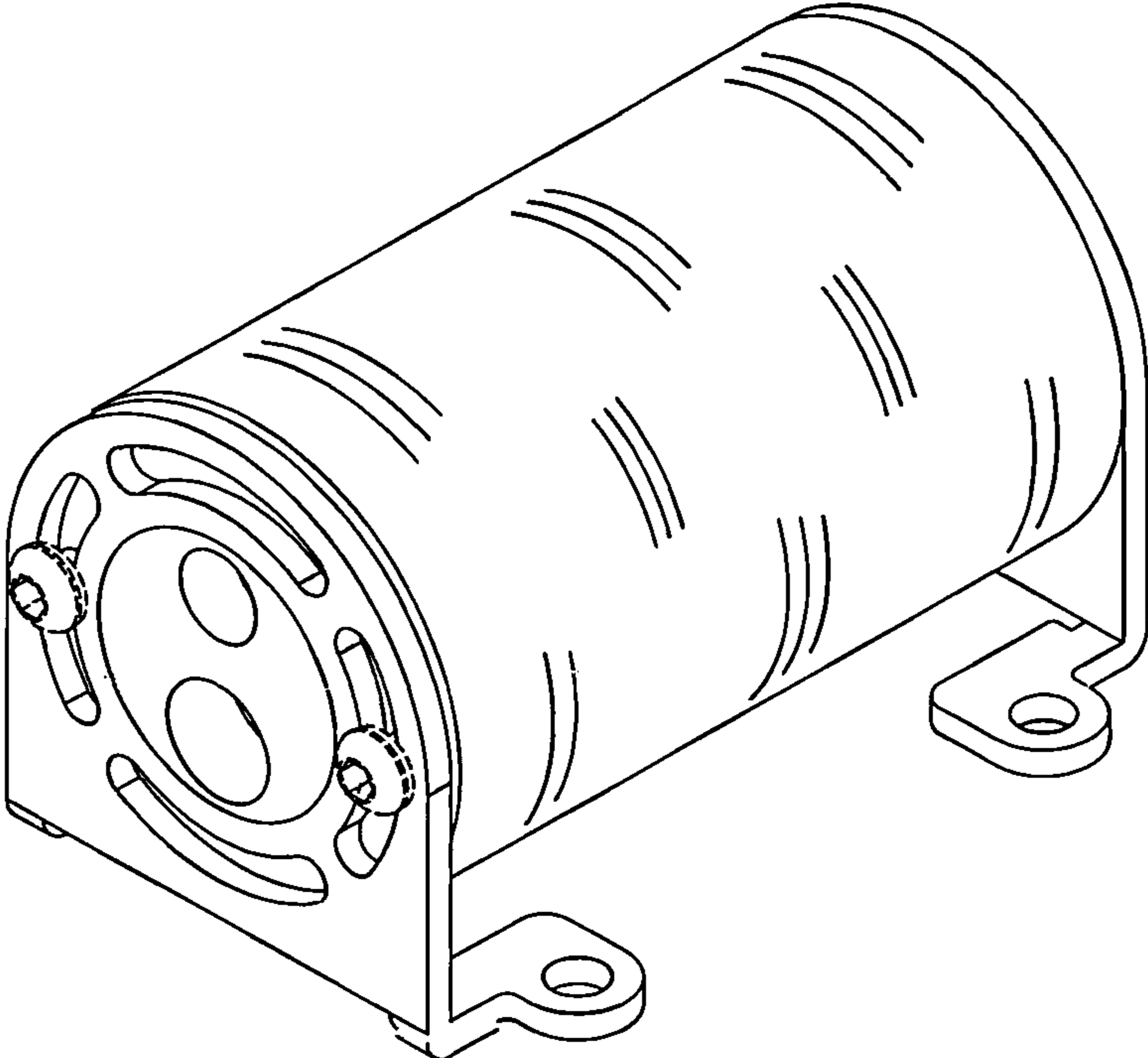


FIG. 1

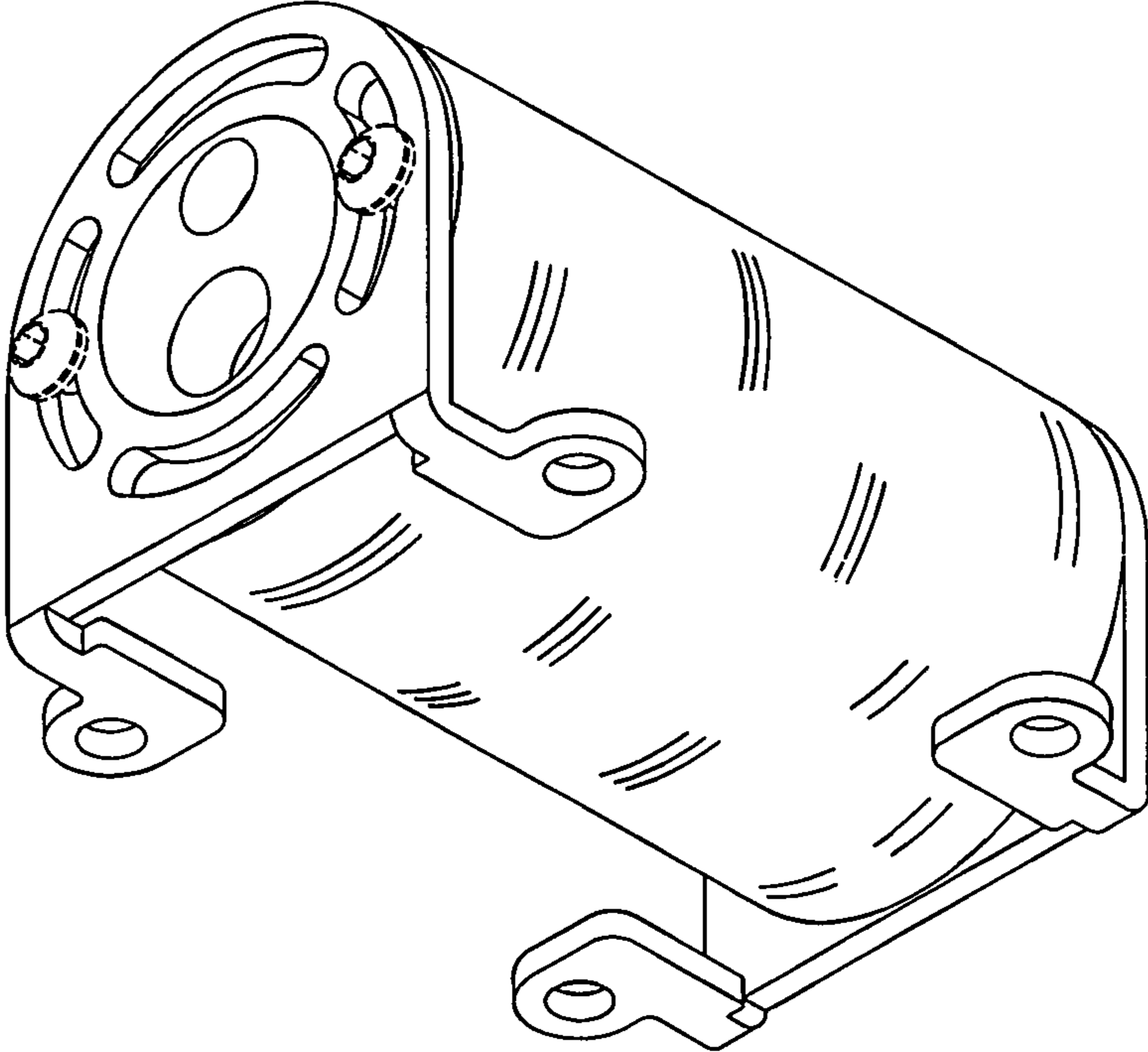


FIG. 2

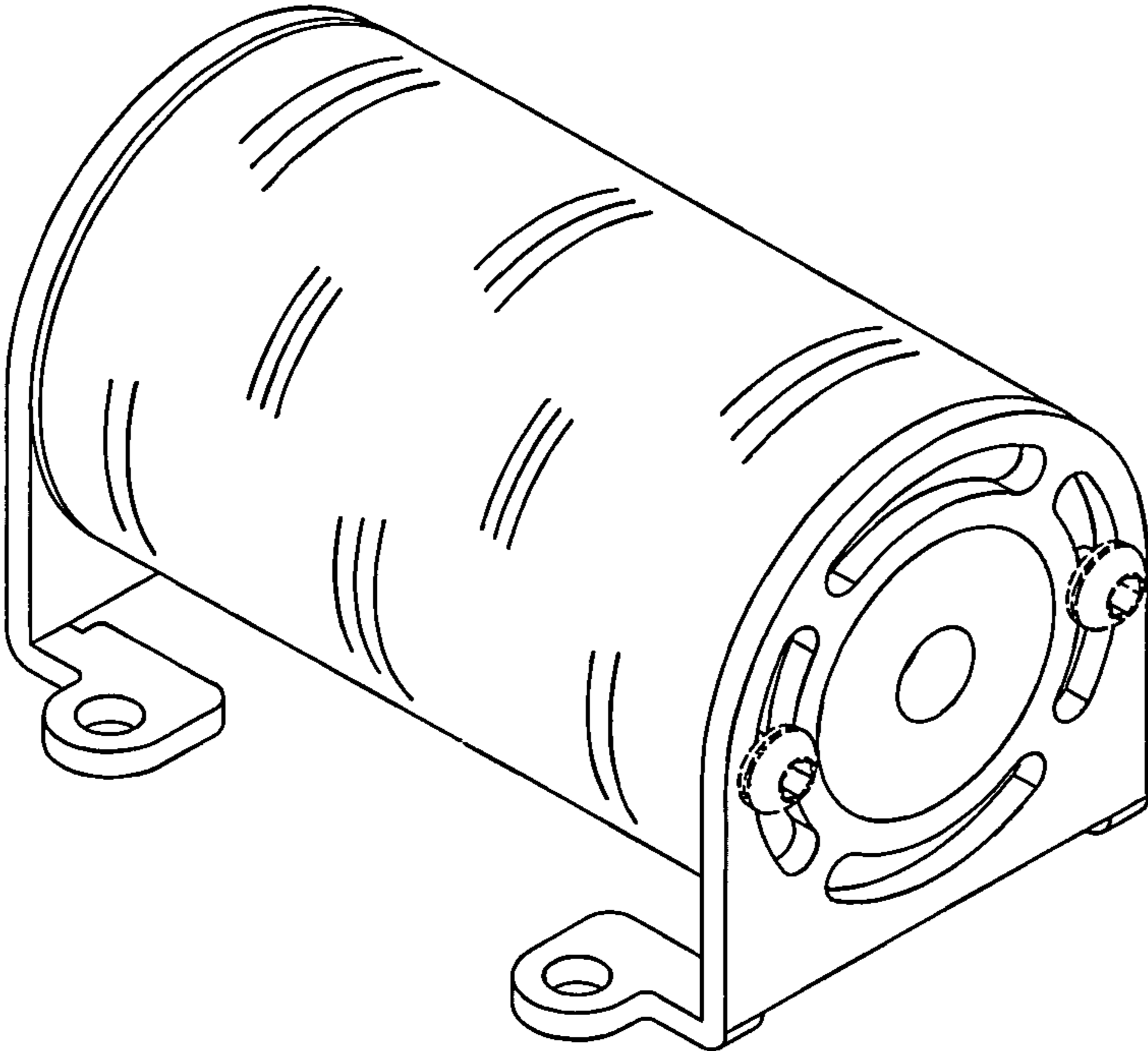


FIG. 3

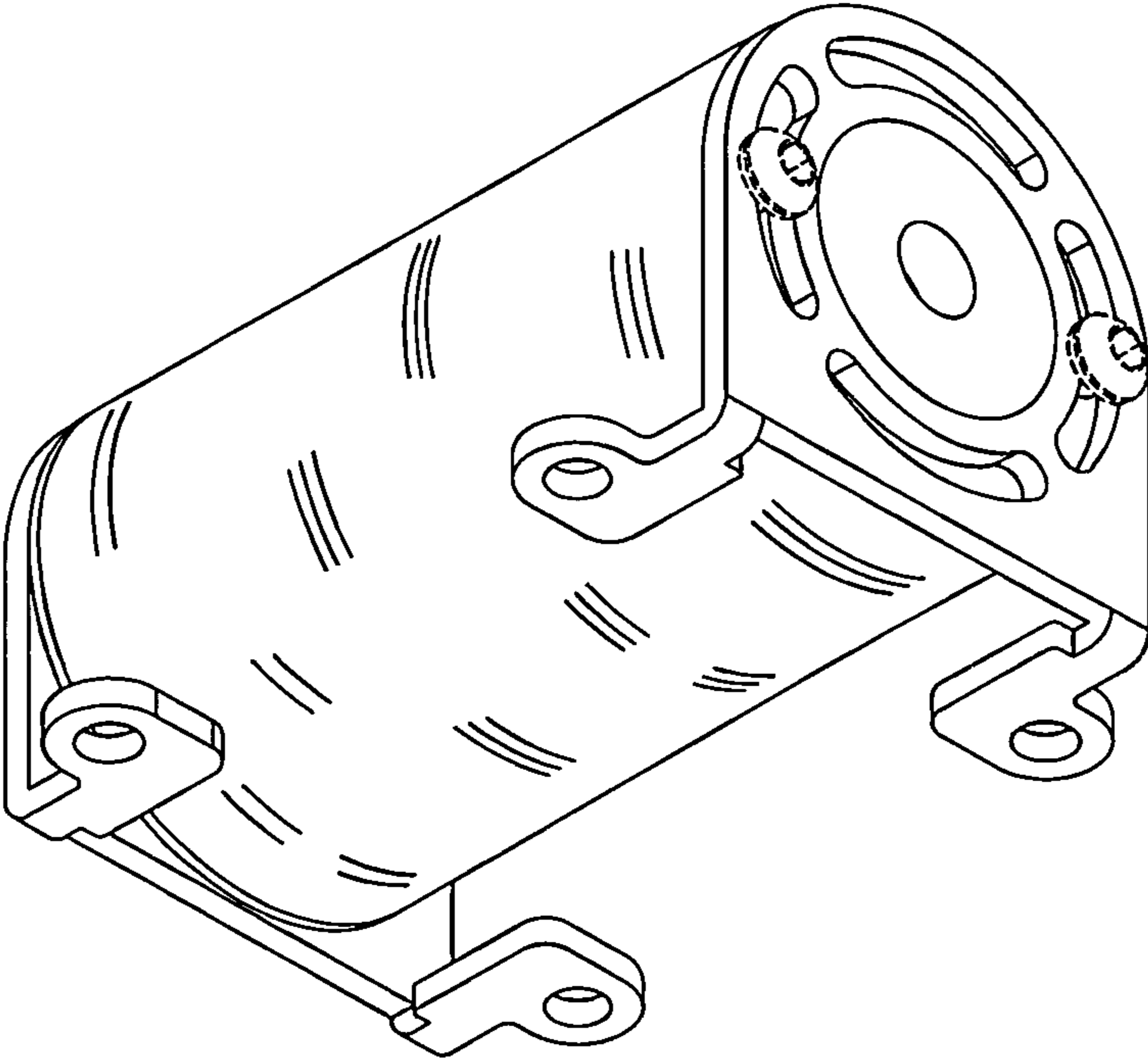


FIG. 4