



US00D718852S

(12) **United States Design Patent**
Wangen

(10) **Patent No.:** **US D718,852 S**
(45) **Date of Patent:** **** Dec. 2, 2014**

(54) **AIR CLEANER**

(75) Inventor: **Eric Orvis Wangen**, Viroqua, WI (US)

(73) Assignee: **S & S Cycle, Inc.**, Viola, WI (US)

(**) Term: **14 Years**

(21) Appl. No.: **29/415,331**

(22) Filed: **Mar. 9, 2012**

(51) **LOC (10) Cl.** **23-04**

(52) **U.S. Cl.**
USPC **D23/364**

(58) **Field of Classification Search**

CPC B01D 46/00; B01D 46/0002; B01D
46/0004; F02M 33/00; F02M 35/00; F02M
35/02483; F02M 35/1019; F02M 35/162
USPC D23/385-395, 397, 370-373, 365, 351,
D23/354, 399-403, 421, 499, 269, 262,
D23/266; 454/309, 275-277, 284, 287-291,
454/358-363; 52/302.1, 32.07; 55/502,
55/506, DIG. 26; 277/602; 248/62-64;
204/298.11, 298.02; D13/112, 118;
D12/114; D15/5; D9/435, 445, 446,
D9/449, 454

See application file for complete search history.

(56) **References Cited**

U.S. PATENT DOCUMENTS

RE30,306 E * 6/1980 Moore et al. 181/229
4,249,922 A * 2/1981 Saele 55/315

4,265,647 A * 5/1981 Donachiue 55/503
D275,471 S * 9/1984 Stahel D12/114
D293,796 S * 1/1988 Nagy D15/5
D294,945 S * 3/1988 Segal D15/5
D295,444 S * 4/1988 Sundqvist D15/5
D305,028 S * 12/1989 Sherwood et al. D15/5
5,167,209 A * 12/1992 Dufern et al. 123/198 E
D401,942 S * 12/1998 Shelton et al. D15/5
6,824,583 B2 * 11/2004 Bulger 55/505
D544,083 S * 6/2007 Walser D23/365
8,002,863 B2 * 8/2011 Kubo et al. 55/385.3

* cited by examiner

Primary Examiner — David Muller

(74) *Attorney, Agent, or Firm* — Price Heneveld LLP

(57) **CLAIM**

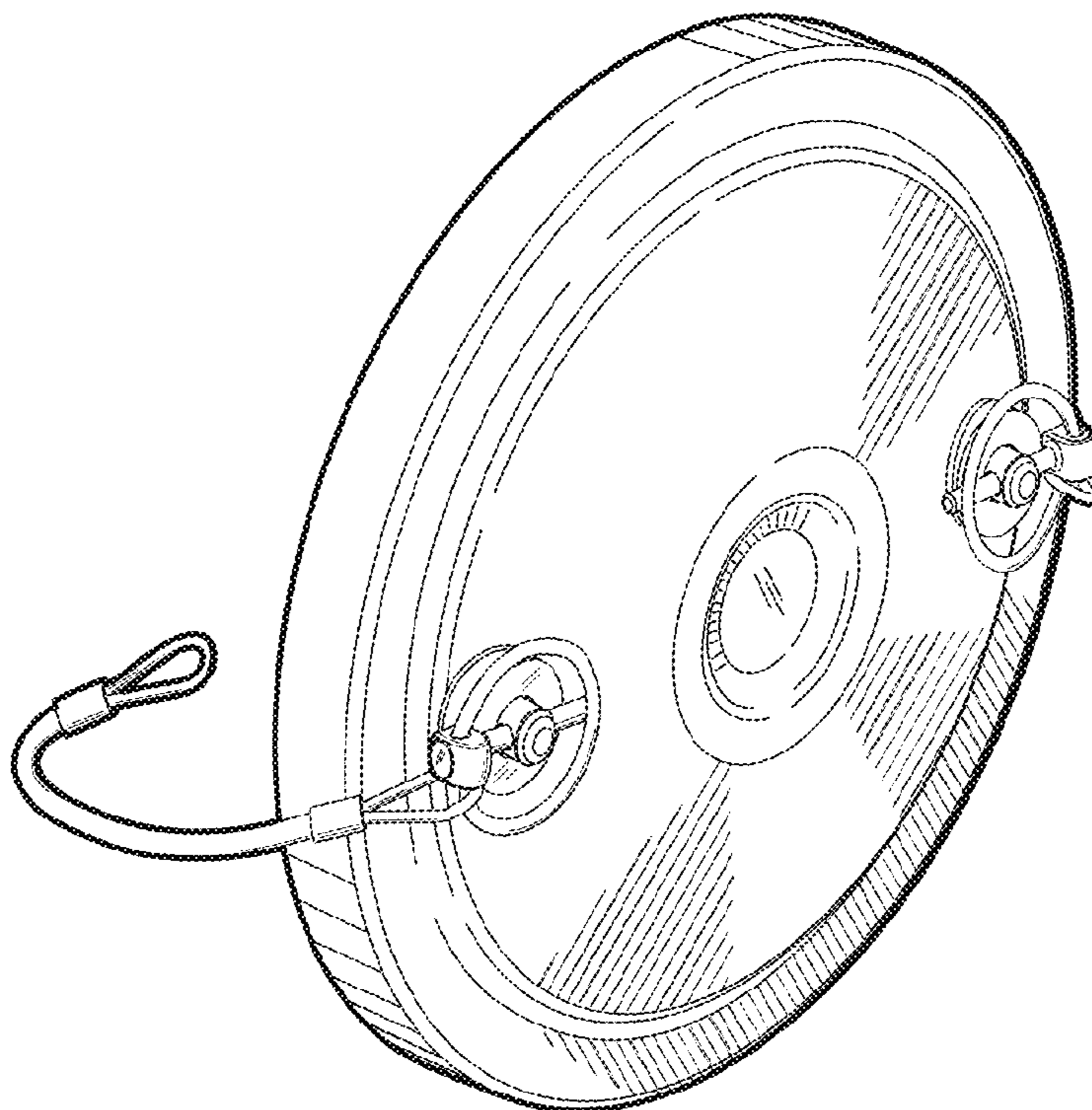
I claim the ornamental design for air cleaner, as shown and described.

DESCRIPTION

FIG. 1 is a perspective view of an air cleaner.

The broken lines in the drawings are for purposes of illustrating environmental structure and form no part of the claimed design.

1 Claim, 3 Drawing Sheets



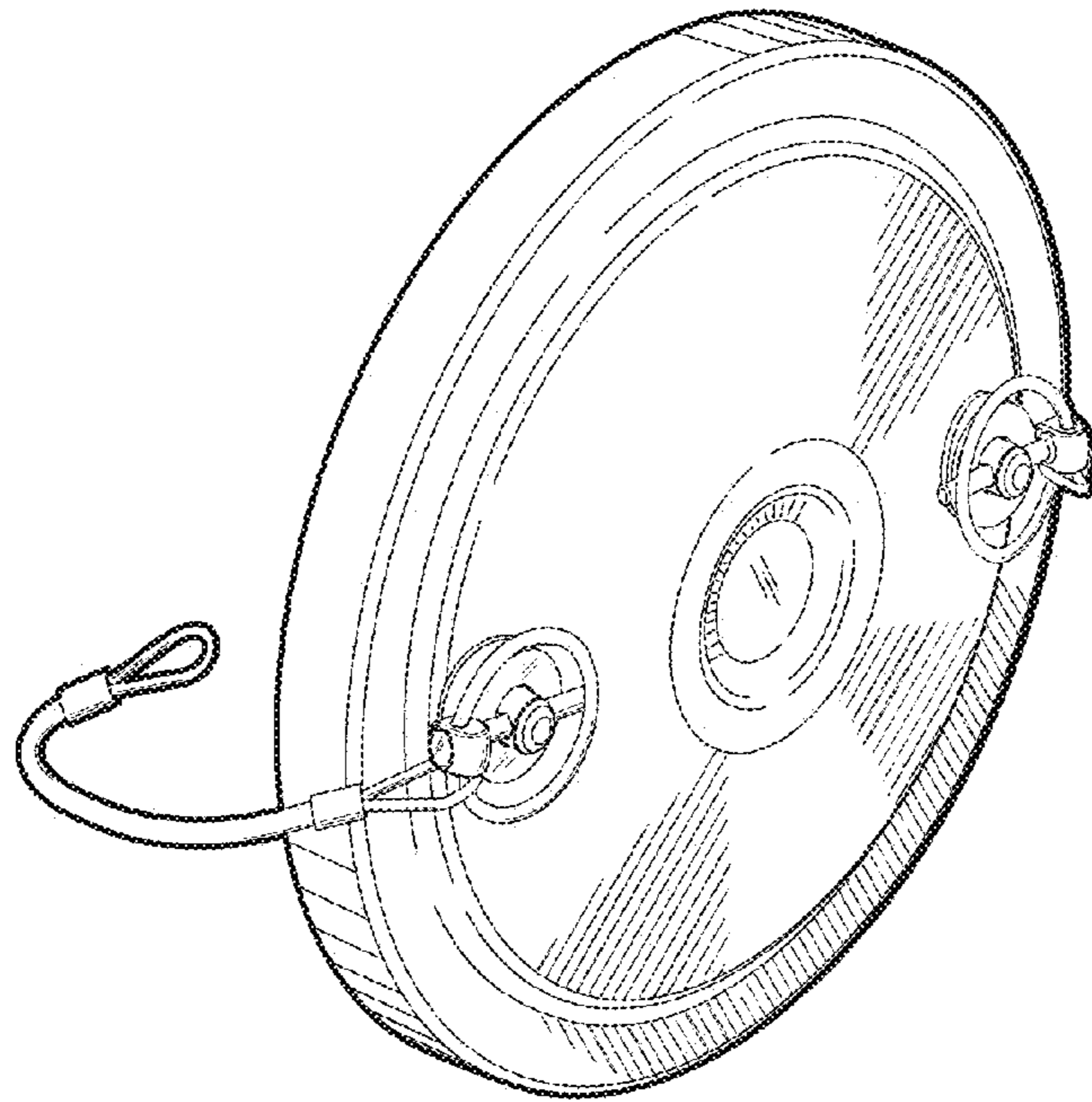


Fig. 1

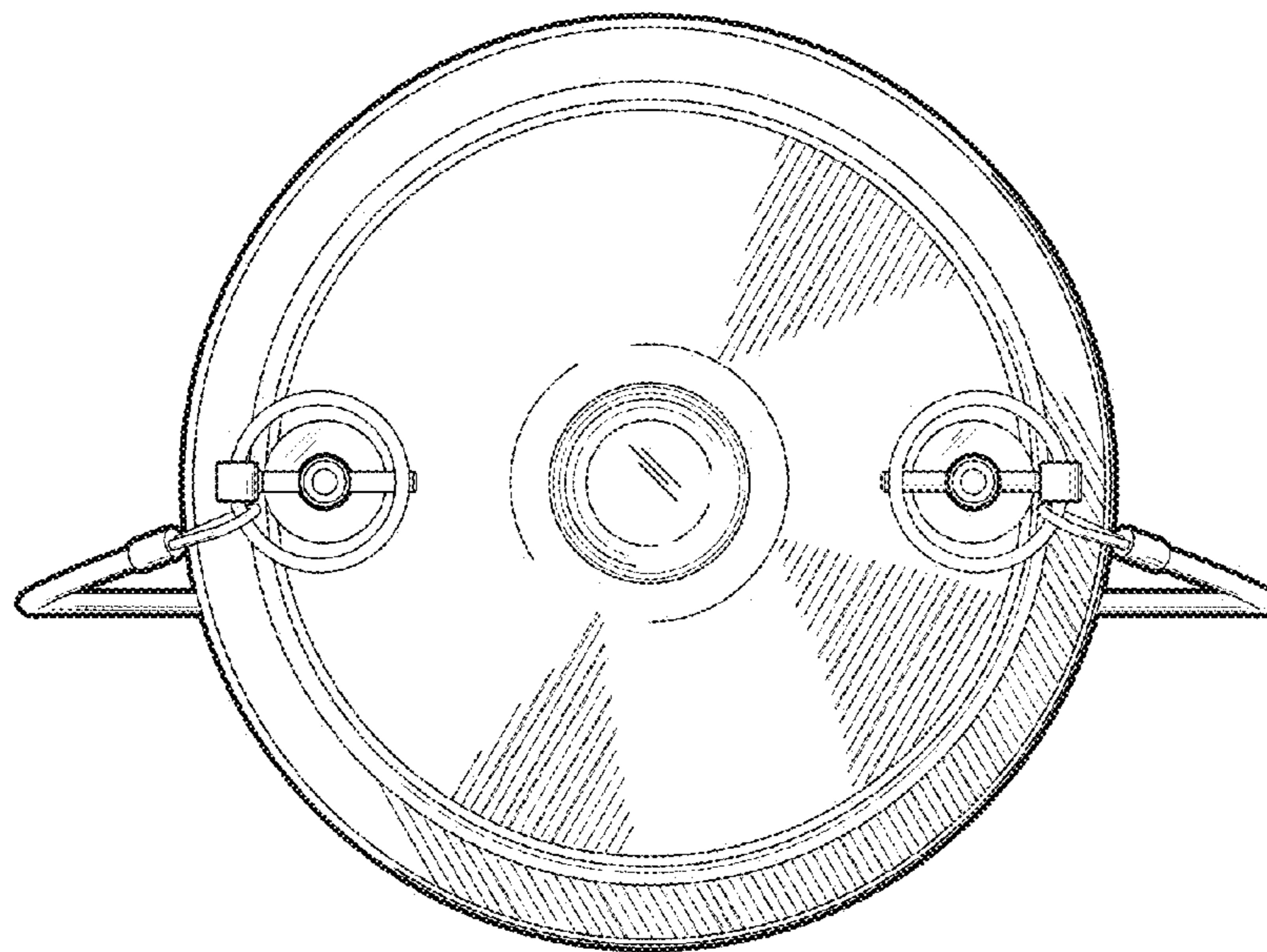


Fig. 2

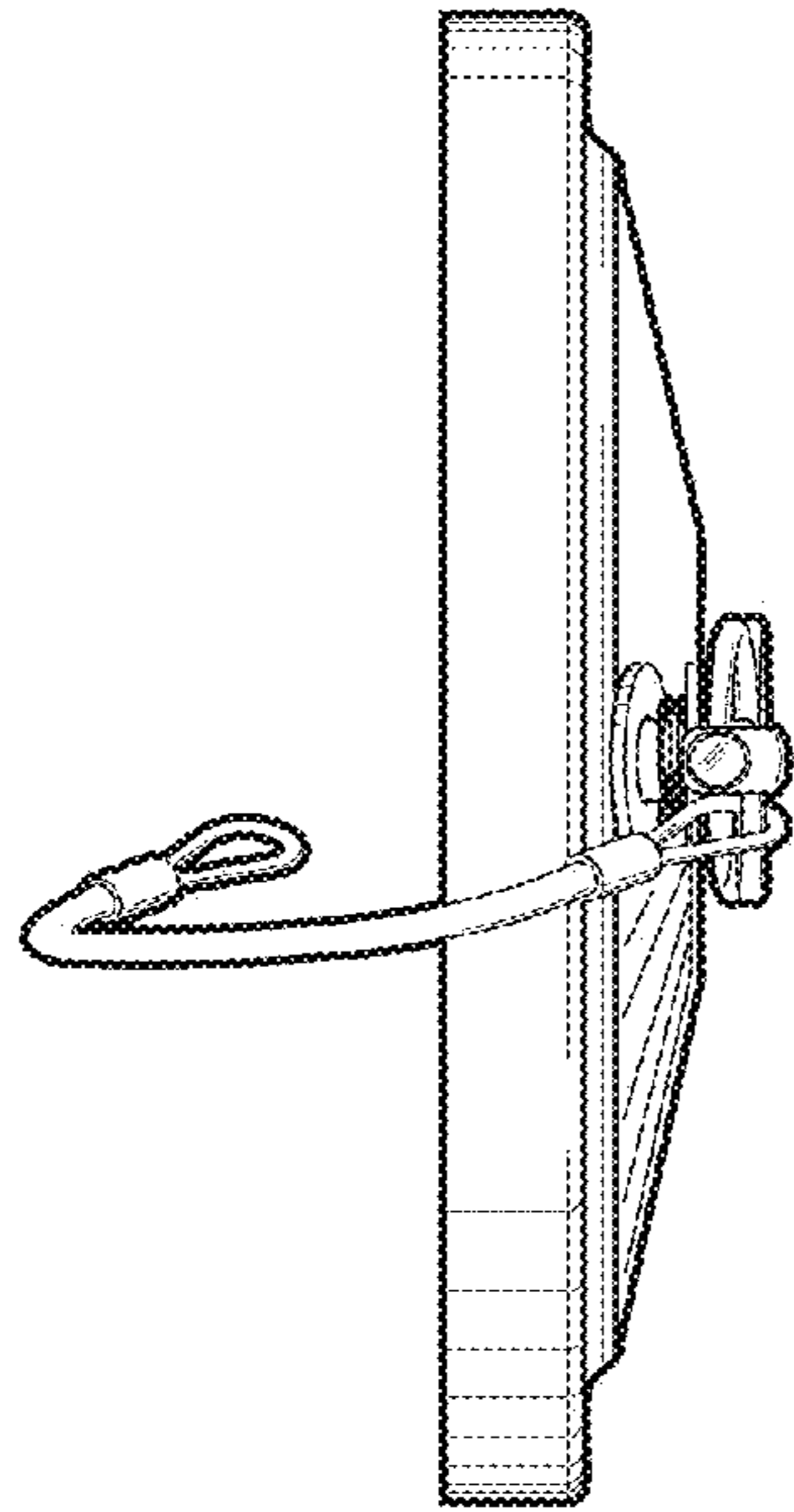


Fig. 3

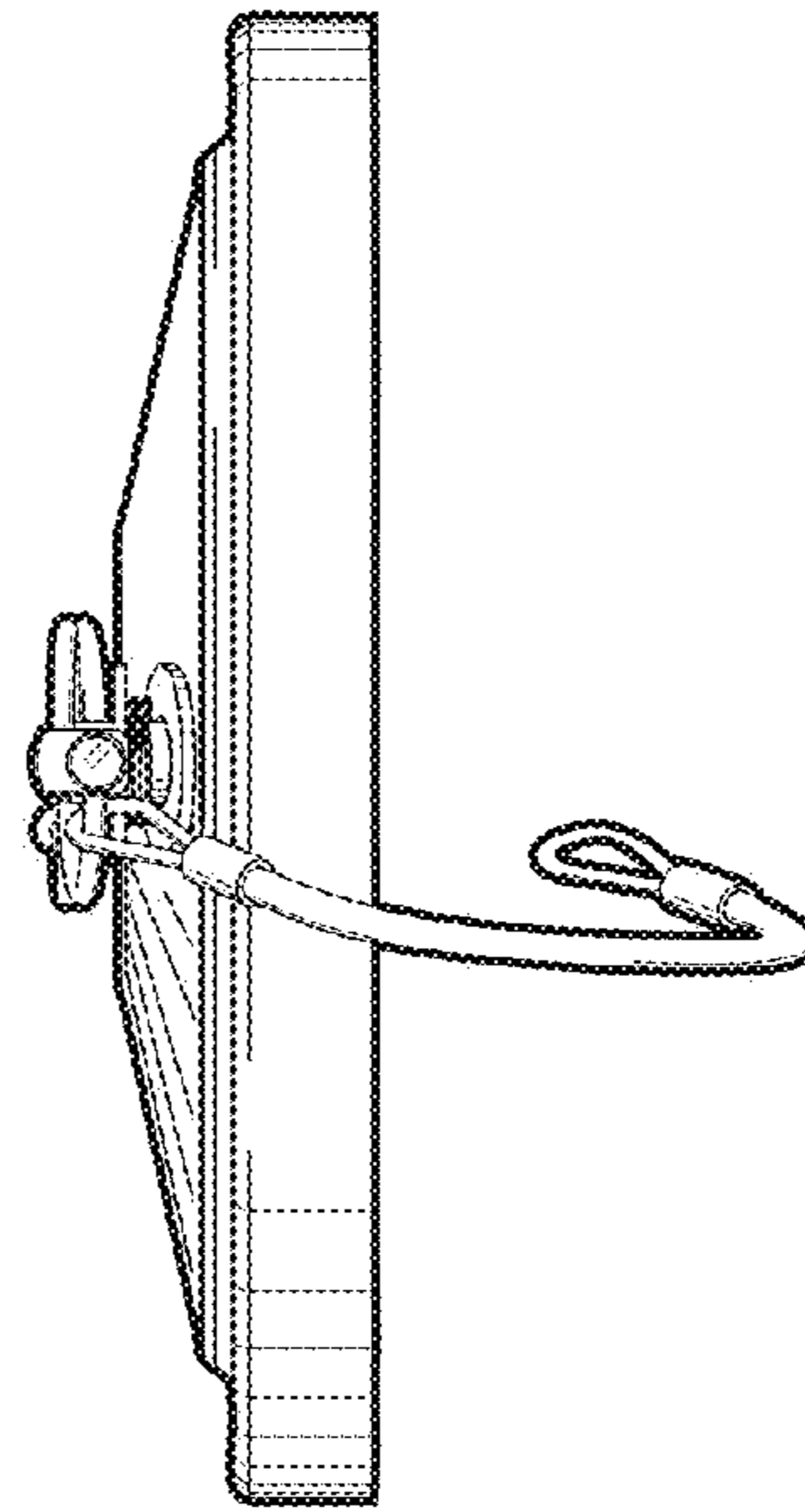


Fig. 4

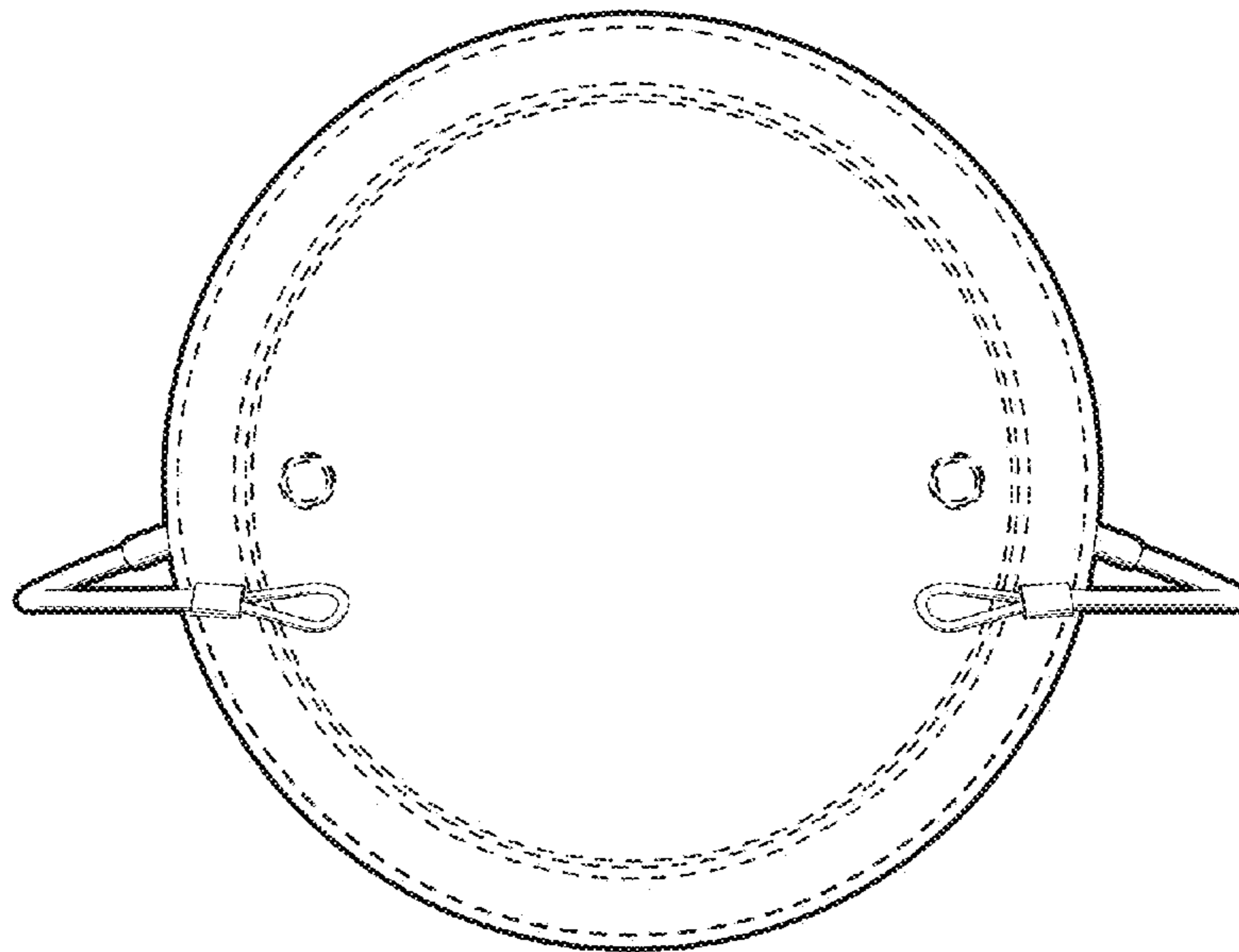


Fig. 5

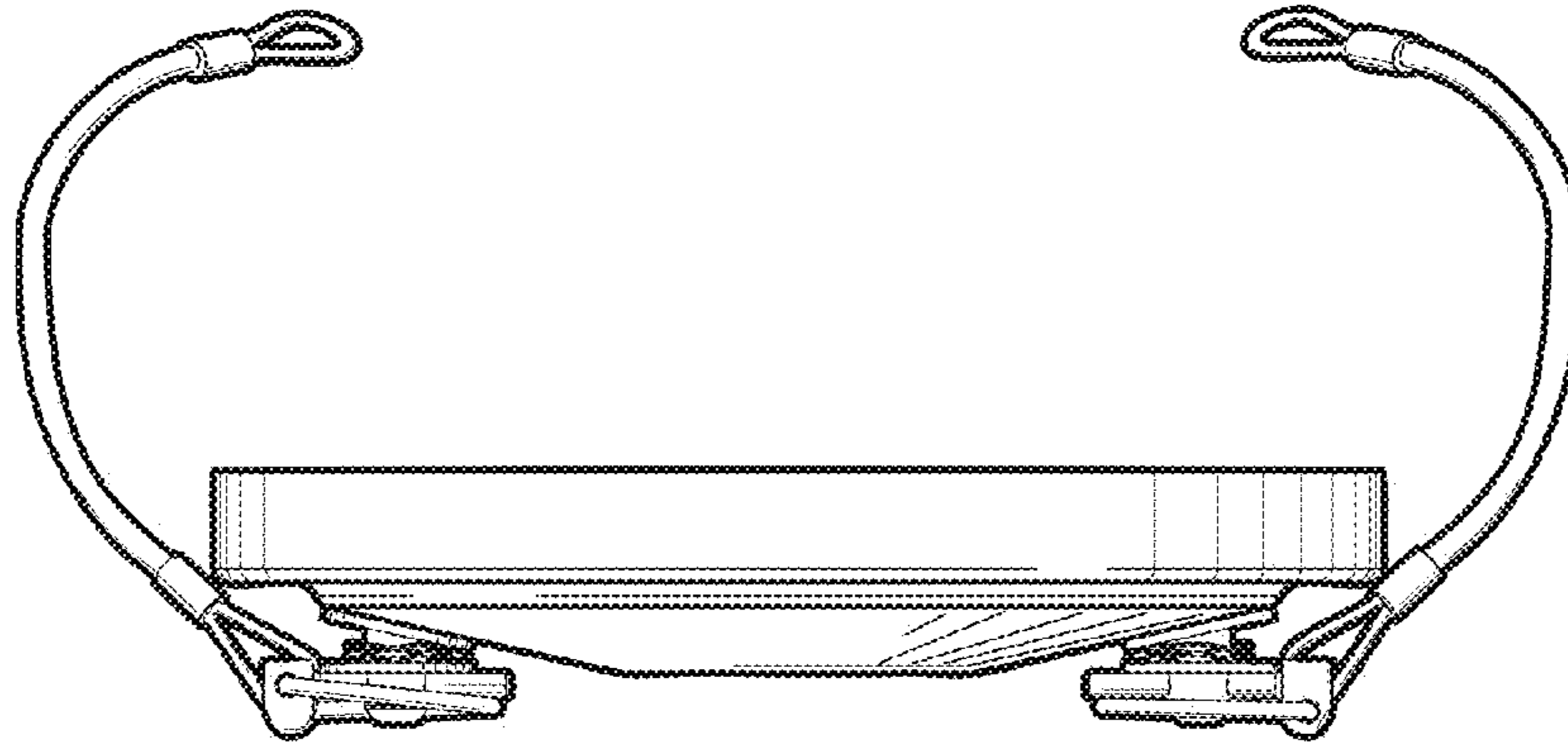


Fig. 6

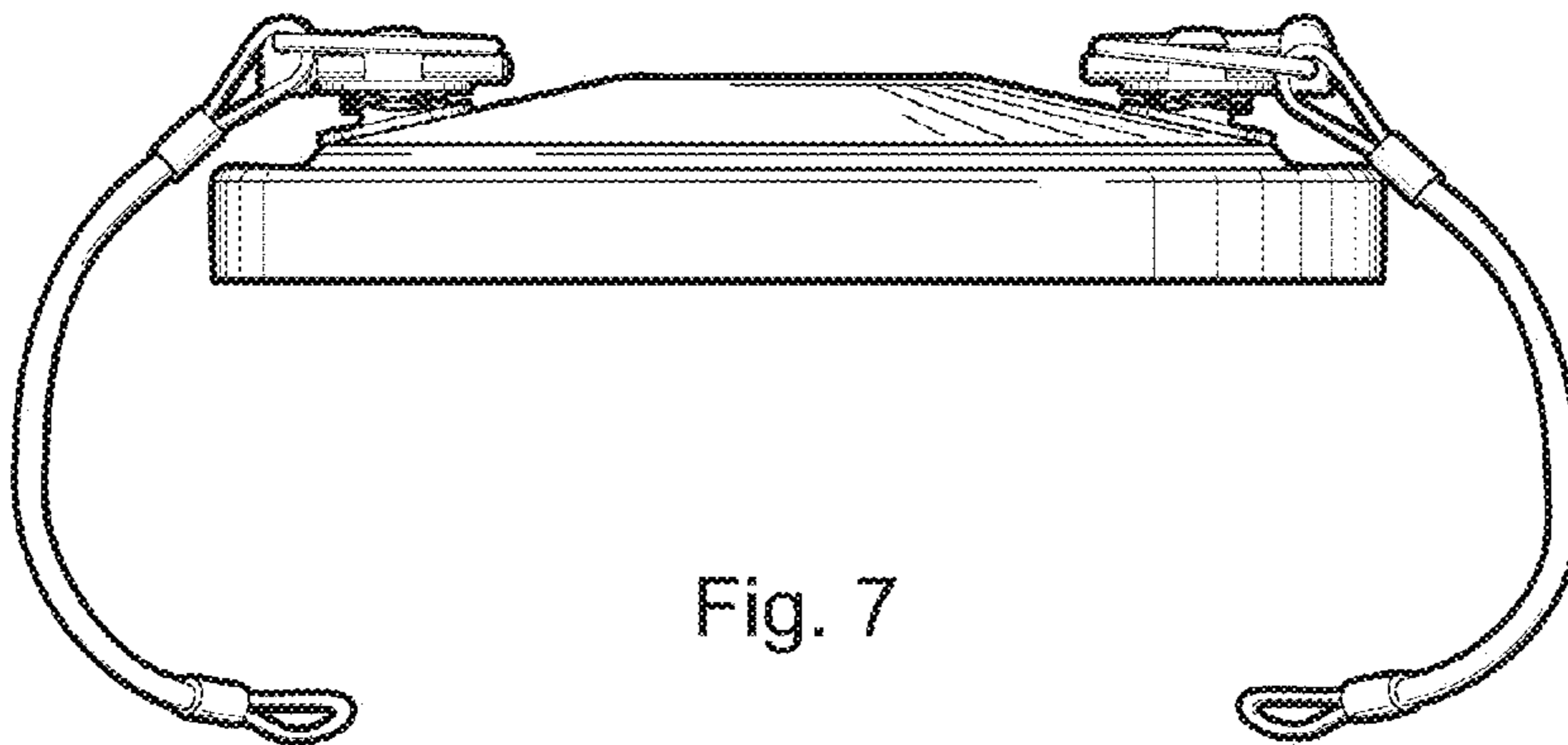


Fig. 7

UNITED STATES PATENT AND TRADEMARK OFFICE
CERTIFICATE OF CORRECTION

PATENT NO. : D718,852 S
APPLICATION NO. : 29/415331
DATED : December 2, 2014
INVENTOR(S) : Eric Orvis Wangen

Page 1 of 1

It is certified that error appears in the above-identified patent and that said Letters Patent is hereby corrected as shown below:

On the title page should read:

Item (Description)

After "Fig. 1 is a perspective on page 1" please insert:

--Fig. 2 is a front view thereof;
Fig. 3 is a left side view thereof;
Fig. 4 is a right side view thereof;
Fig. 5 is a rear view thereof;
Fig. 6 is a top view thereof; and
Fig. 7 is a bottom view thereof.--

Signed and Sealed this
Fifth Day of May, 2015



Michelle K. Lee
Director of the United States Patent and Trademark Office