



US00D718851S

(12) **United States Design Patent**
Blouin

(10) **Patent No.:** **US D718,851 S**

(45) **Date of Patent:** **** *Dec. 2, 2014**

(54) **WOOD BURNING STOVE**

(76) Inventor: **Eric Blouin, Quebec (CA)**

(*) Notice: This patent is subject to a terminal disclaimer.

(**) Term: **14 Years**

(21) Appl. No.: **29/420,114**

(22) Filed: **May 4, 2012**

(51) **LOC (10) Cl.** **23-03**

(52) **U.S. Cl.**
USPC **D23/343**

(58) **Field of Classification Search**
USPC D23/346; D7/339, 340, 348; 126/39 R,
126/60, 65, 19 R, 39 B, 211, 214 R, 39 C;
219/391-392

See application file for complete search history.

(56) **References Cited**

U.S. PATENT DOCUMENTS

D64,307 S *	3/1924	O'Dowd	D7/340
D86,123 S *	2/1932	Hobson	D7/340
D112,135 S *	11/1938	Tullis	D7/340
D116,954 S *	10/1939	Heym	D7/340

D117,946 S *	12/1939	Criddle	D7/340
D187,968 S *	5/1960	Wilkinson	D23/342
4,394,857 A *	7/1983	Iannone	126/60
D273,322 S *	4/1984	Fleisler	D23/350
D397,776 S *	9/1998	Heger	D23/347
D408,072 S *	4/1999	Smith et al.	D23/350
D490,885 S *	6/2004	Warren	D23/350
D491,653 S *	6/2004	Warren	D23/350
D608,877 S *	1/2010	Mattis et al.	D23/346
D609,317 S *	2/2010	Mattis et al.	D23/346
D612,034 S *	3/2010	Mattis et al.	D23/346

* cited by examiner

Primary Examiner — Eric Goodman

(57) **CLAIM**

The ornamental design for a wood burning stove, as shown and described.

DESCRIPTION

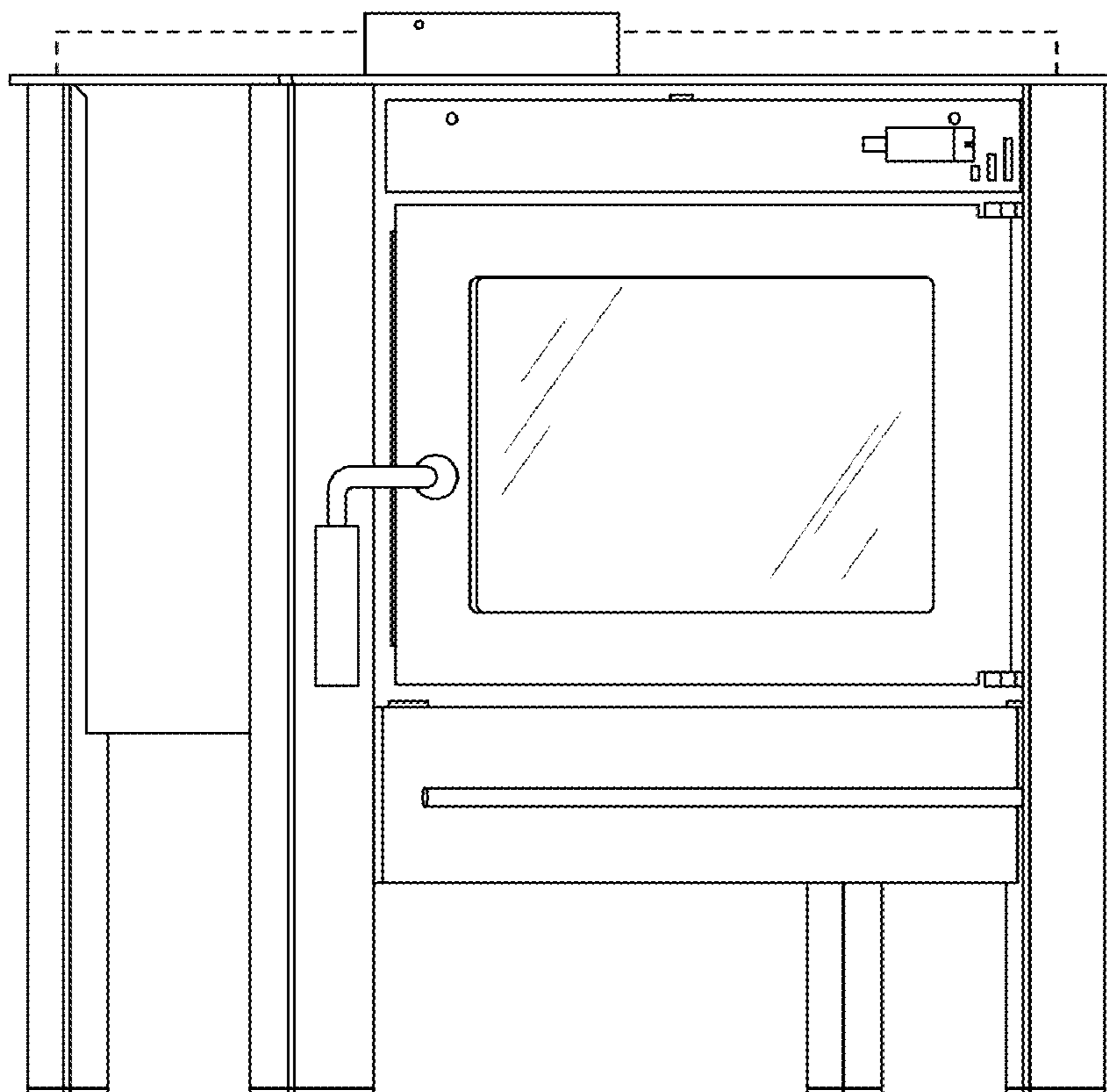
FIG. 1 is a right side perspective view of the wood burning stove; and

FIG. 2 is a front view of the wood burning stove; and,

FIG. 3 is a right side view of the wood burning stove.

The broken line showing is included for the purpose of illustrating portions of the article and forms no part of the claimed design.

1 Claim, 3 Drawing Sheets



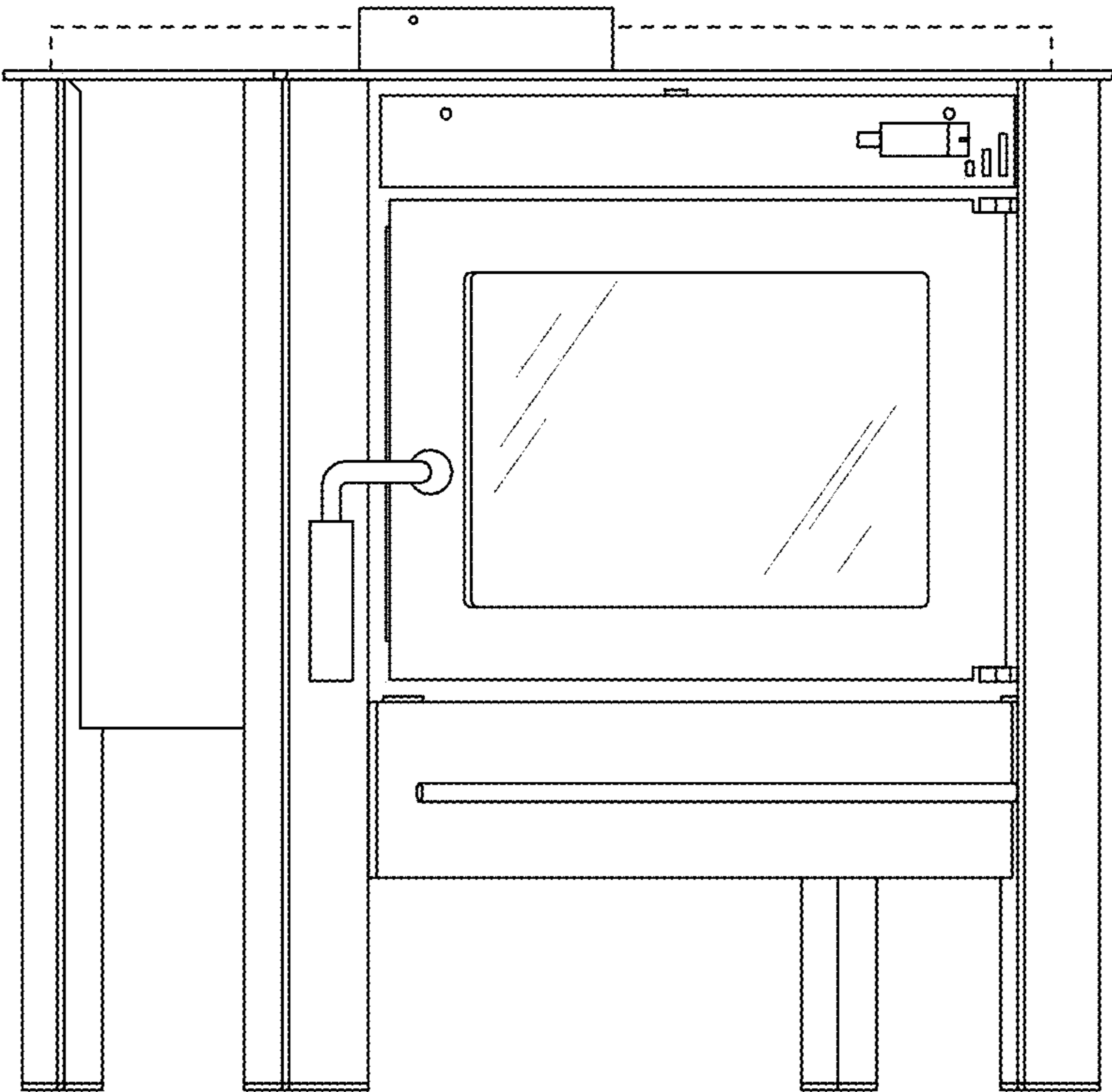


Figure 1

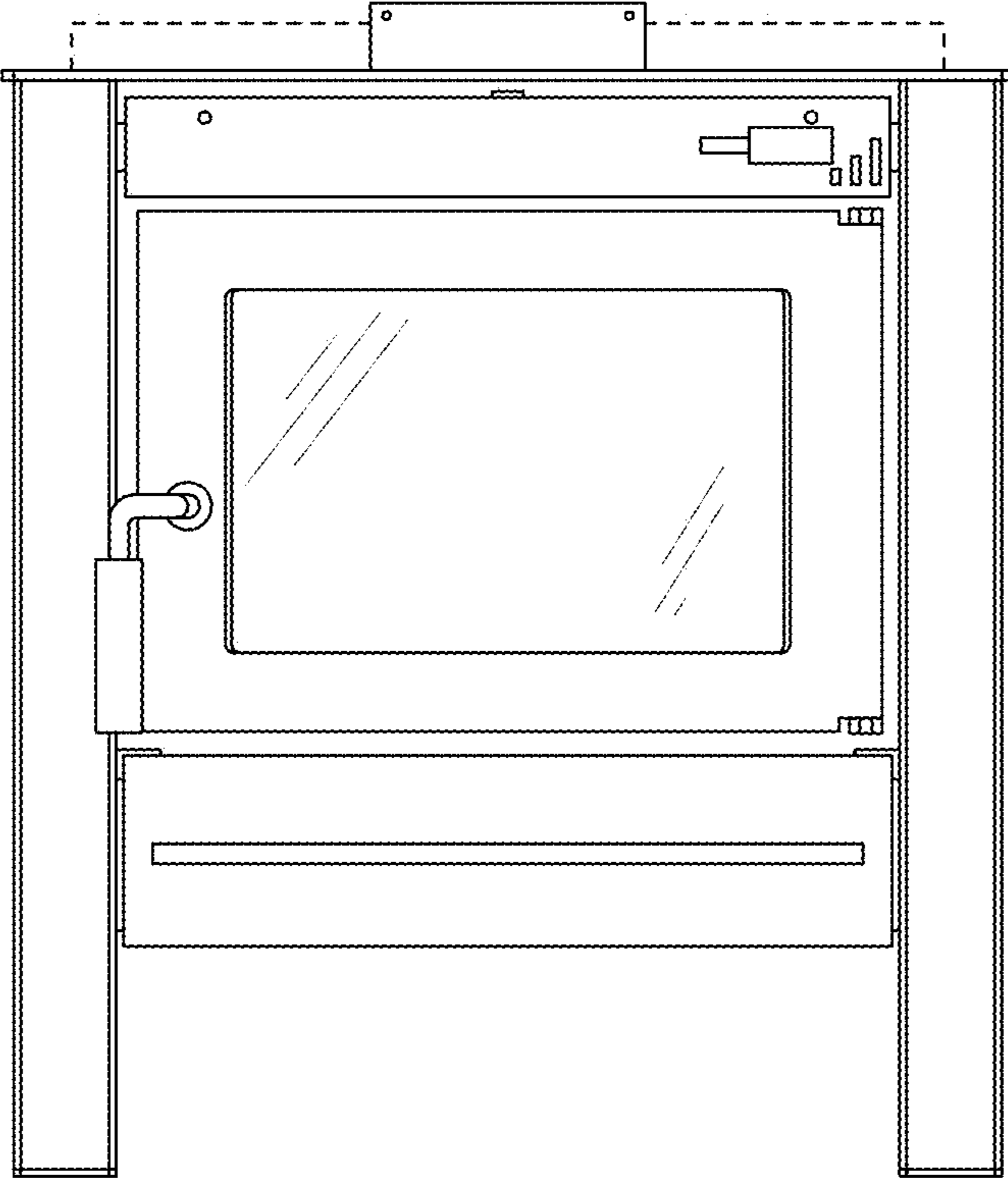


Figure 2

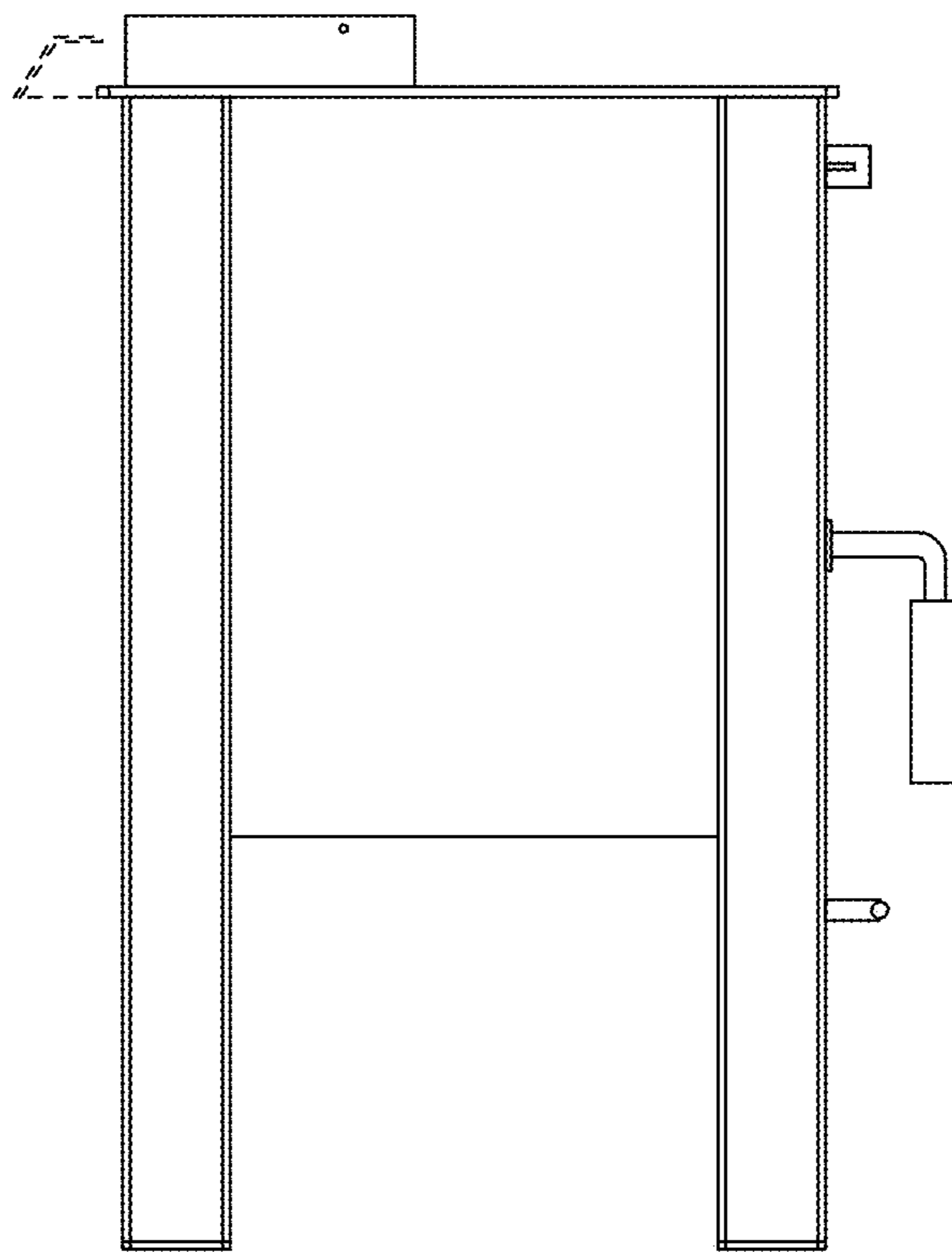


Figure 3