



US00D718849S

(12) **United States Design Patent**
Lutz et al.

(10) **Patent No.:** **US D718,849 S**
(45) **Date of Patent:** **** Dec. 2, 2014**

(54) **HEATER**

(71) Applicant: **Elive LLC**, New Berlin, WI (US)

(72) Inventors: **Thomas Lutz**, Cedar Rapids, IA (US);
Matthew Allen, Waterford, WI (US)

(73) Assignee: **Elive LLC**, New Berlin, WI (US)

(**) Term: **14 Years**

(21) Appl. No.: **29/484,441**

(22) Filed: **Mar. 10, 2014**

(51) **LOC (10) Cl.** **23-03**

(52) **U.S. Cl.**
USPC **D23/316**

(58) **Field of Classification Search**
USPC D23/316, 314, 332; 219/200, 209, 221,
219/520, 523, 533, 534; 392/341, 441, 444
See application file for complete search history.

(56) **References Cited**

U.S. PATENT DOCUMENTS

D130,349 S *	11/1941	Gardner et al.	D23/316
4,327,281 A *	4/1982	Jager et al.	219/523
D381,409 S *	7/1997	Fleischer et al.	D23/316
5,859,411 A *	1/1999	Bresolin et al.	219/523

5,963,580 A *	10/1999	Eckert	373/42
6,061,500 A *	5/2000	Su	392/498
6,555,797 B2 *	4/2003	Pauli	219/497
D484,959 S *	1/2004	Jennings	D23/316
7,085,482 B2 *	8/2006	Renoud-Grappin	392/478
8,173,940 B2 *	5/2012	Wang	219/544

* cited by examiner

Primary Examiner — T. Chase Nelson

Assistant Examiner — Ania Aman

(74) *Attorney, Agent, or Firm* — Michael Best & Friedrich LLP

(57) **CLAIM**

We claim the ornamental design for a heater, as shown and described.

DESCRIPTION

FIG. 1 is a perspective view of a heater embodying the invention;

FIG. 2 is a front view of the heater of FIG. 1;

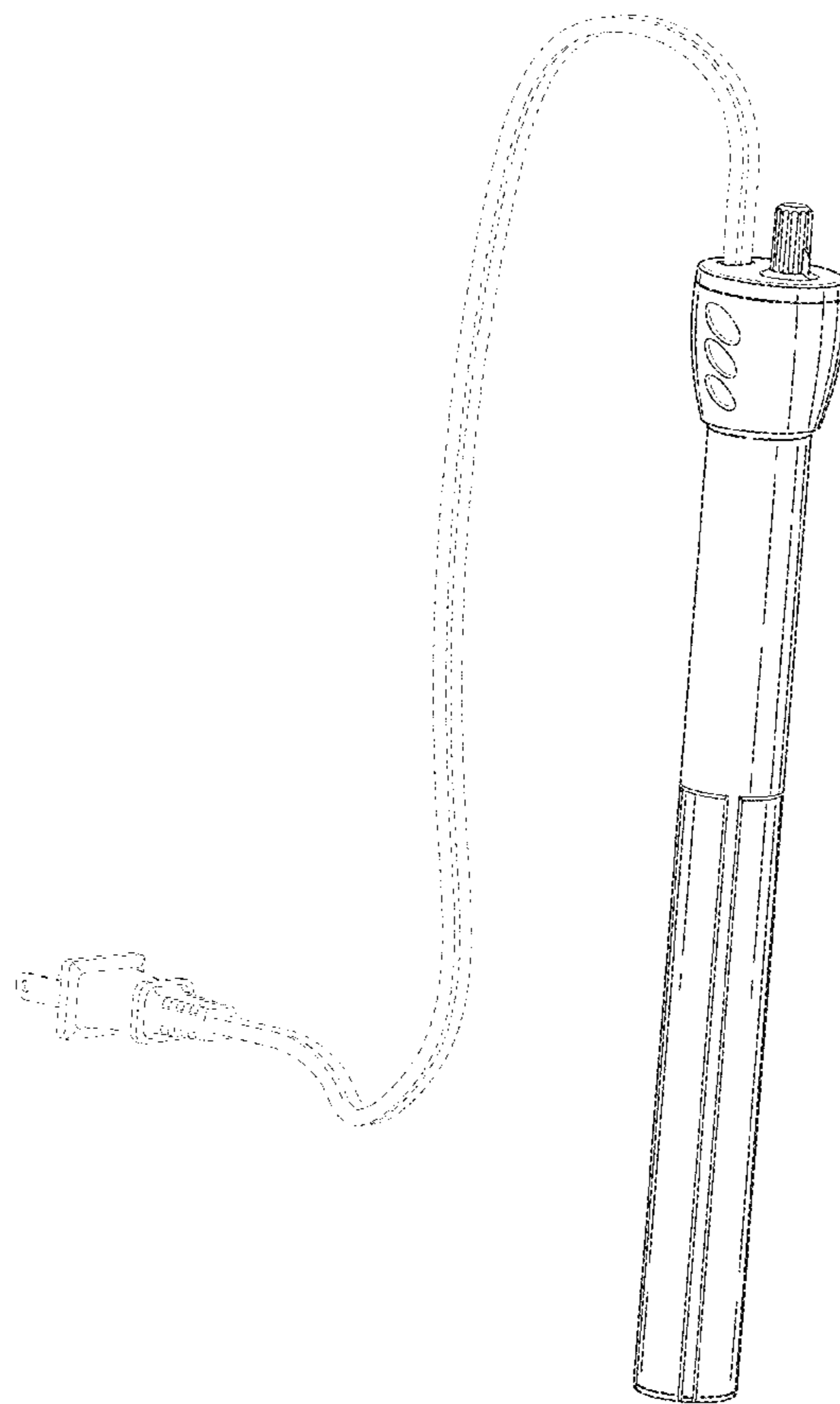
FIG. 3 is a top view of the heater of FIG. 1;

FIG. 4 is a left side view of the heater of FIG. 1; and,

FIG. 5 is a right side view of the heater of FIG. 1.

The elements shown in broken lines are included for the purpose of illustrating environment and form no part of the claimed design.

1 Claim, 3 Drawing Sheets



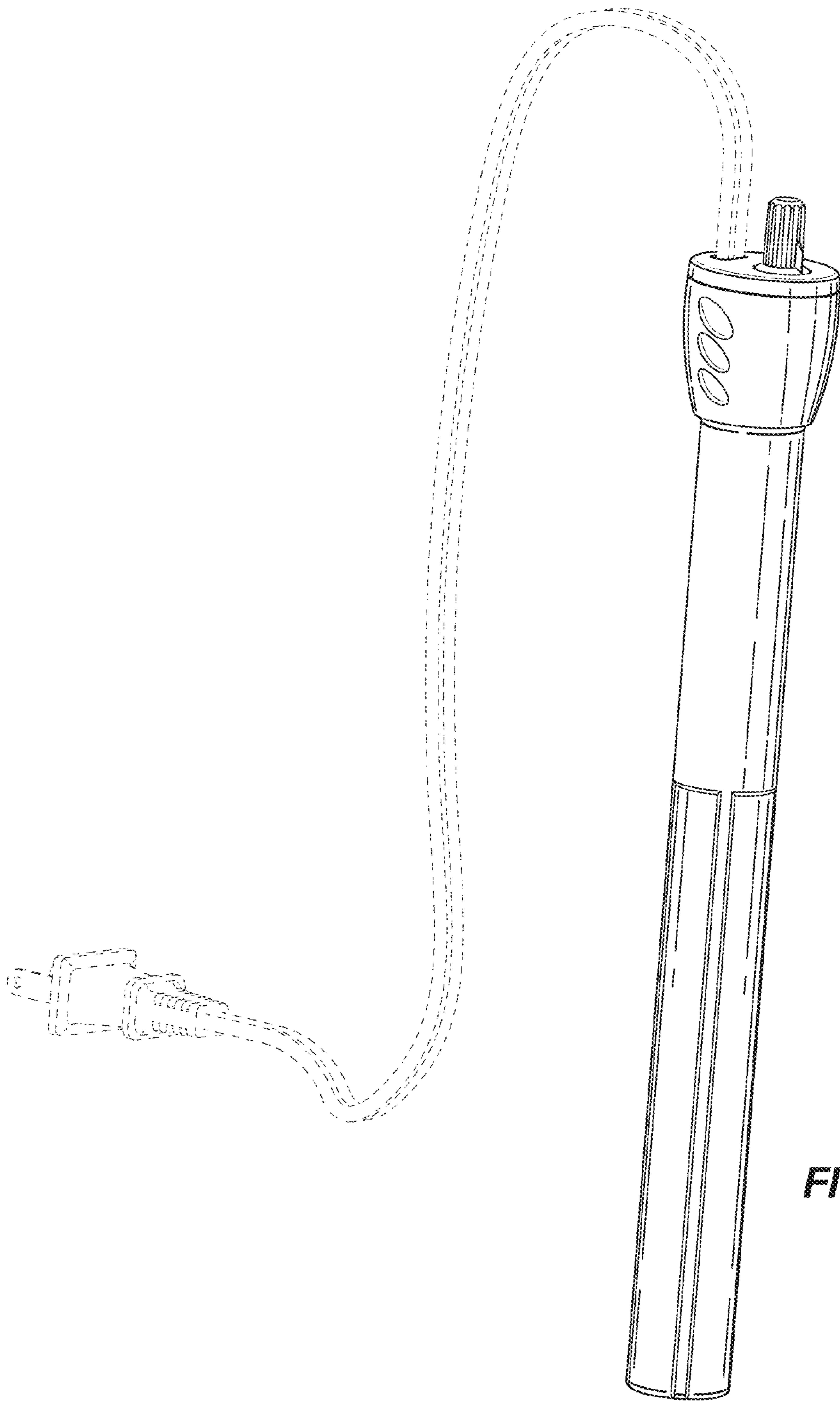


FIG. 1

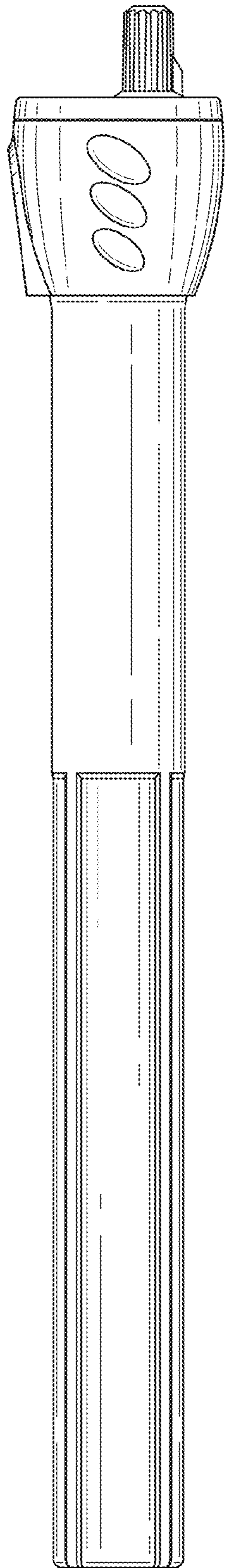


FIG. 2

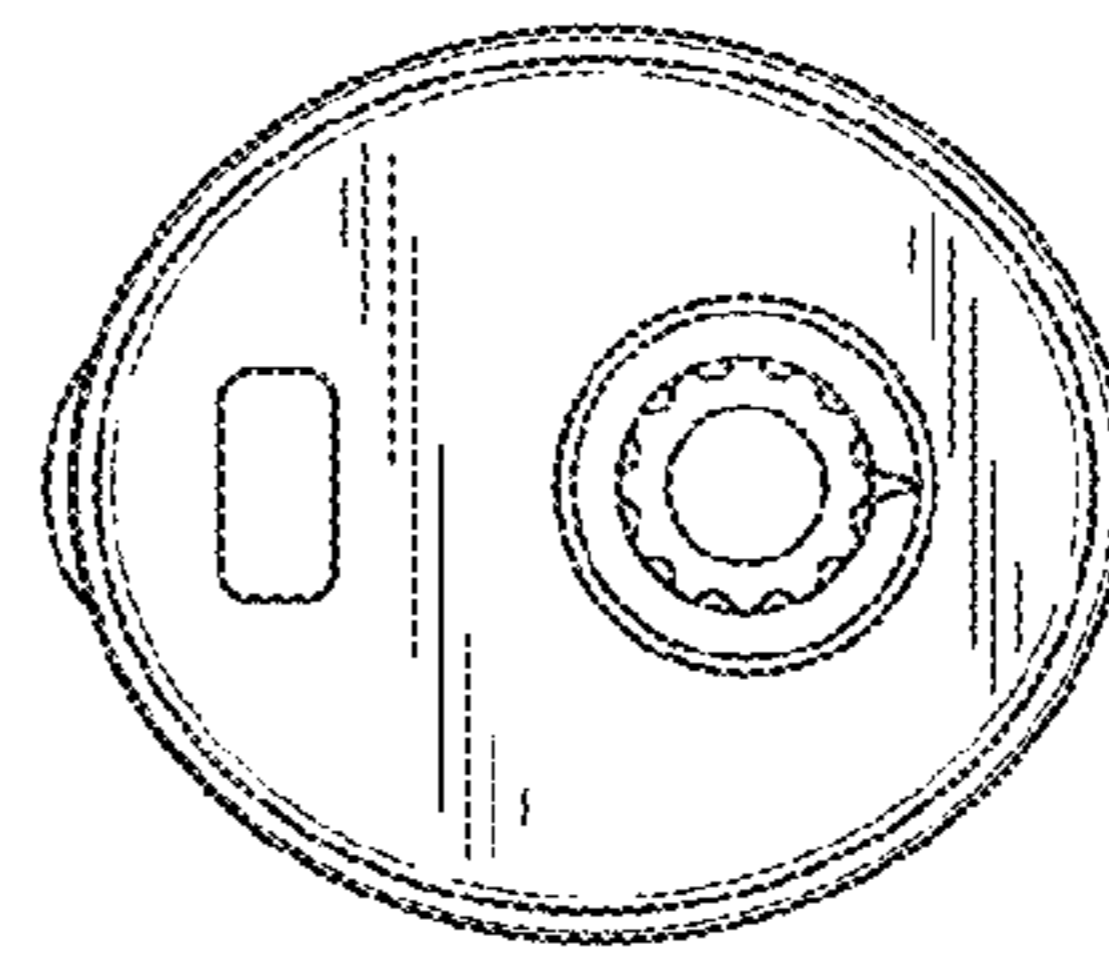


FIG. 3

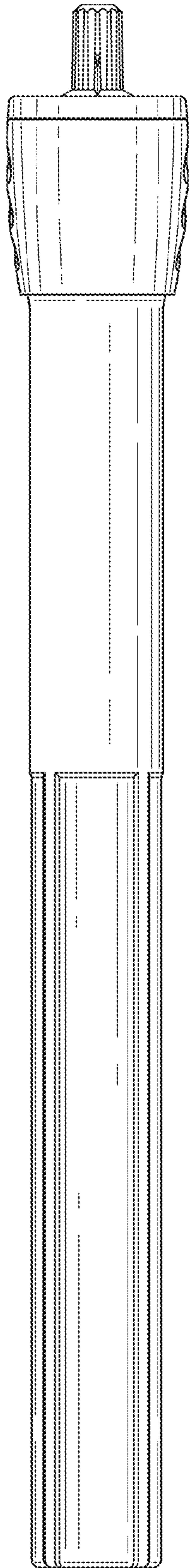


FIG. 4

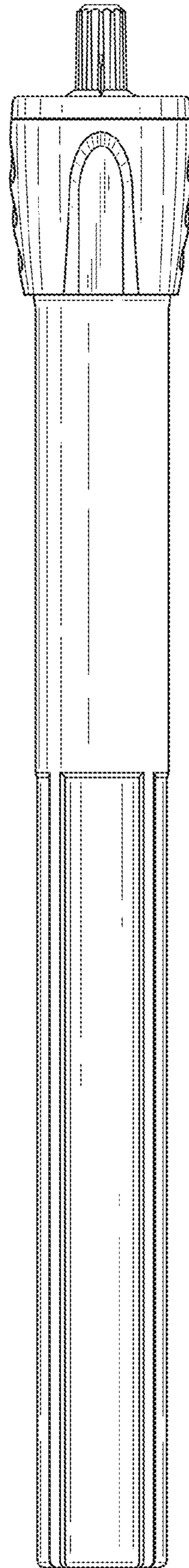


FIG. 5