



US00D718847S

(12) **United States Design Patent**
Creighton Haley et al.

(10) **Patent No.:** **US D718,847 S**

(45) **Date of Patent:** **** Dec. 2, 2014**

(54) **RAIN GUTTER SYSTEM**

(71) Applicant: **Eco Gutter IP Holdings Pty Ltd,**
Maudsland (AU)

(72) Inventors: **Alan Bryan Creighton Haley,**
Maudsland (AU); **John Edward Dobbe,**
Upper Moutere (NZ)

(73) Assignee: **Eco Gutter IP Holdings Pty Ltd,**
Maudsland (AU)

(**) Term: **14 Years**

(21) Appl. No.: **29/453,215**

(22) Filed: **Apr. 26, 2013**

(30) **Foreign Application Priority Data**

Oct. 26, 2012 (NZ) 416907

(51) **LOC (10) Cl.** **23-01**

(52) **U.S. Cl.**
USPC **D23/267**

(58) **Field of Classification Search**
USPC D23/267; 52/11, 12, 16, 58; 210/162;
248/48.1, 48.2

See application file for complete search history.

(56) **References Cited**

U.S. PATENT DOCUMENTS

4,727,689	A *	3/1988	Bosler	52/12
5,459,965	A *	10/1995	Meckstroth	52/12
5,893,240	A *	4/1999	Ealer, Sr.	52/12
D623,279	S *	9/2010	Joly et al.	D23/267
8,001,729	B2 *	8/2011	Joly et al.	52/12
8,578,658	B2 *	11/2013	Snell	52/12
8,695,282	B2 *	4/2014	Glander	52/12
2004/0060244	A1 *	4/2004	Brochu	52/12
2005/0072202	A1 *	4/2005	Gorski et al.	72/176
2005/0204642	A1 *	9/2005	Valentini	52/12
2005/0274082	A1 *	12/2005	Welty	52/120
2006/0000154	A1 *	1/2006	Wirbel	52/12
2006/0048456	A1 *	3/2006	Iannelli	52/13
2006/0090404	A1 *	5/2006	Lovell	52/97

2008/0010906	A1 *	1/2008	Brochu	52/12
2008/0047206	A1 *	2/2008	Gramling	52/12
2008/0190040	A1 *	8/2008	Graves	52/12
2009/0056234	A1 *	3/2009	Brochu	52/12
2009/0108144	A1 *	4/2009	Brochu	248/48.1
2011/0138698	A1 *	6/2011	Neumann	52/12
2011/0162289	A1 *	7/2011	Cangialosi	52/12

FOREIGN PATENT DOCUMENTS

AU	324958	S	2/2009
AU	2009222594	A1	4/2010
JP	2002167914	A	6/2002
NZ	413783		8/2010

OTHER PUBLICATIONS

Gutter Shutter, No reference date available online, [site visited Aug. 12, 2014]. Available from Internet, <URL: <http://www.guttershutterchicago.com/The-Product.html>>.*

American Gutter Guard, no reference date available online, [site visited Aug. 12, 2014]. Available from Internet, <URL: <http://americangutterguard.com/>>.*

Gutter System, no reference date available online, [site visited Aug. 12, 2014]. Available from Internet, <URL: <http://www.guttersstpaulmn.com/gutter-guards/>>.*

Gutterpro, no reference date available online, [site visited Aug. 12, 2014]. Available from Internet, <URL: <http://www.gutterprousa.com/gutter-guards-atlanta-ga/>>.*

* cited by examiner

Primary Examiner — Eric Goodman

Assistant Examiner — Daniel J Domino

(74) *Attorney, Agent, or Firm* — Seed IP Law Group PLLC

(57) **CLAIM**

The ornamental design for a rain gutter system, as shown and described.

DESCRIPTION

FIG. 1 is a perspective view of a first component of a rain gutter system showing our new design.

FIG. 2 is a front elevational view thereof.

FIG. 3 is a left side elevational view thereof.

FIG. 4 is a rear elevational view thereof.

FIG. 5 is a right side elevational view thereof.

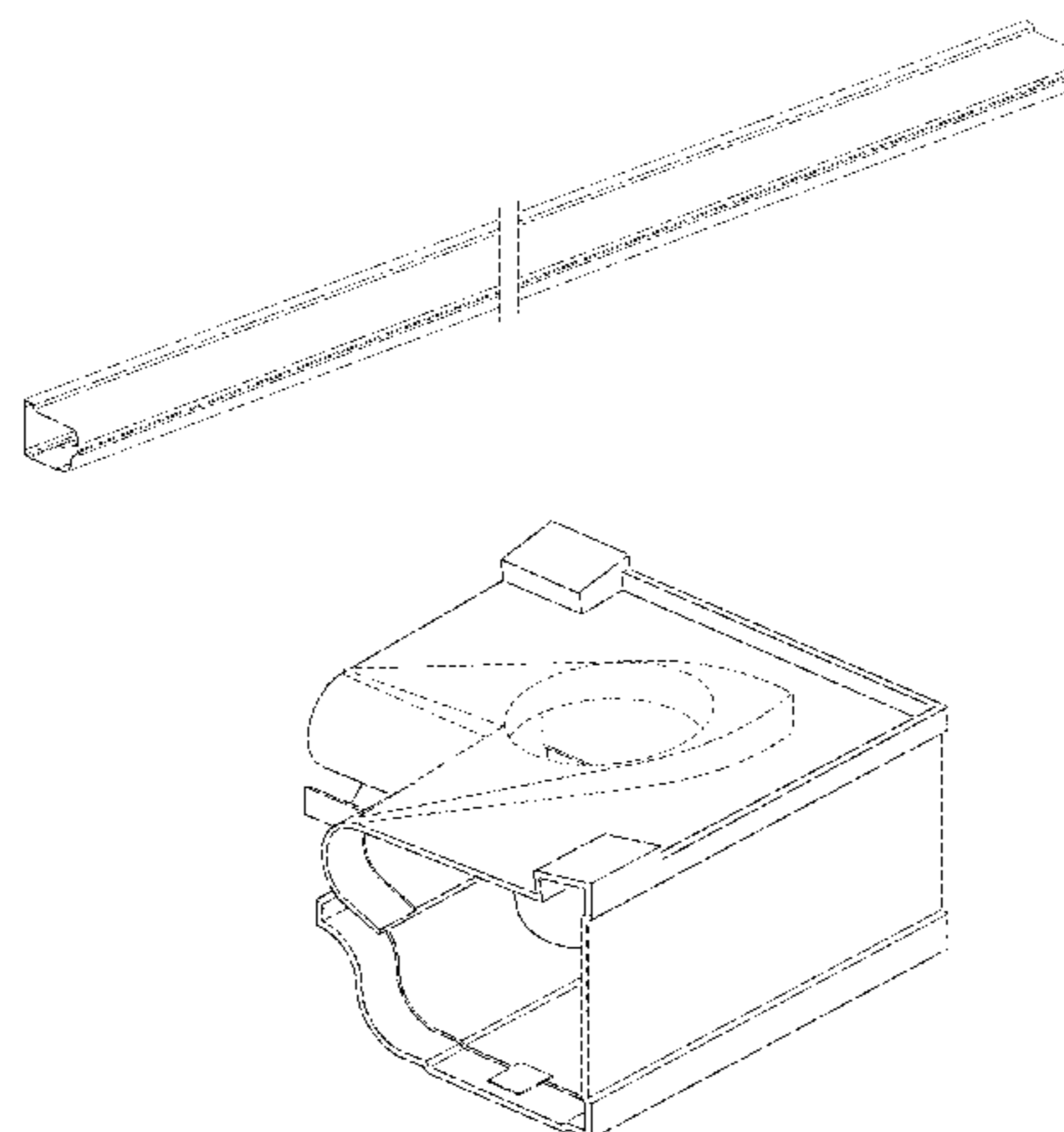


FIG. 6 is a top plan view thereof.
FIG. 7 is a bottom plan view thereof.
FIG. 8 is a perspective view of a second component of a rain gutter system showing our new design.
FIG. 9 is a front elevational view thereof.
FIG. 10 is a left side elevational view thereof.
FIG. 11 is a rear elevational view thereof.
FIG. 12 is a right side elevational view thereof.
FIG. 13 is a top plan view thereof.
FIG. 14 is a bottom plan view thereof.
FIG. 15 is a perspective view of a third component of a rain gutter system showing our new design.
FIG. 16 is a front elevational view thereof.
FIG. 17 is a left side elevational view thereof.
FIG. 18 is a rear elevational view thereof.
FIG. 19 is a right side elevational view thereof.
FIG. 20 is a top plan view thereof.
FIG. 21 is a bottom plan view thereof.
FIG. 22 is a perspective view of a fourth component of a rain gutter system showing our new design.
FIG. 23 is a front elevational view thereof.
FIG. 24 is a left side elevational view thereof.
FIG. 25 is a rear elevational view thereof.

FIG. 26 is a right side elevational view thereof.
FIG. 27 is a top plan view thereof.
FIG. 28 is a bottom plan view thereof.
FIG. 29 is a perspective view of a fifth component of a rain gutter system showing our new design.
FIG. 30 is a front elevational view thereof.
FIG. 31 is a left side elevational view thereof.
FIG. 32 is a rear elevational view thereof.
FIG. 33 is a right side elevational view thereof.
FIG. 34 is a top plan view thereof.
FIG. 35 is a bottom plan view thereof.
FIG. 36 is a perspective view of a sixth component of a rain gutter system showing our new design.
FIG. 37 is a front elevational view thereof.
FIG. 38 is a left side elevational view thereof.
FIG. 39 is a rear elevational view thereof.
FIG. 40 is a right side elevational view thereof.
FIG. 41 is a top plan view thereof; and,
FIG. 42 is a bottom plan view thereof.

The broken lines shown in the figures are for the purpose of illustrating portions of the article and form no part of the claimed design.

1 Claim, 42 Drawing Sheets

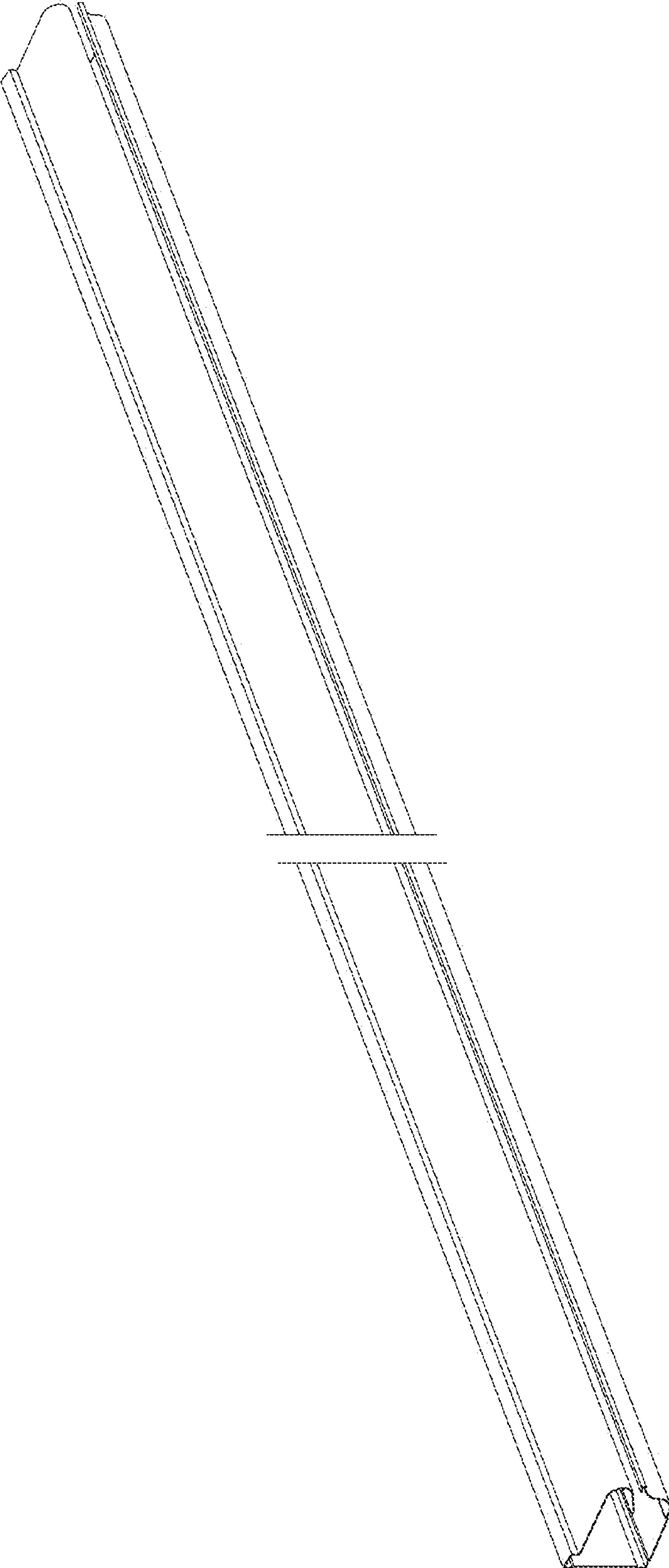


FIG. 1

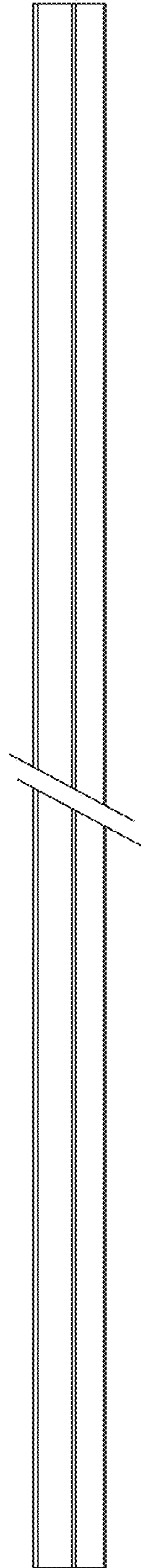


FIG. 2

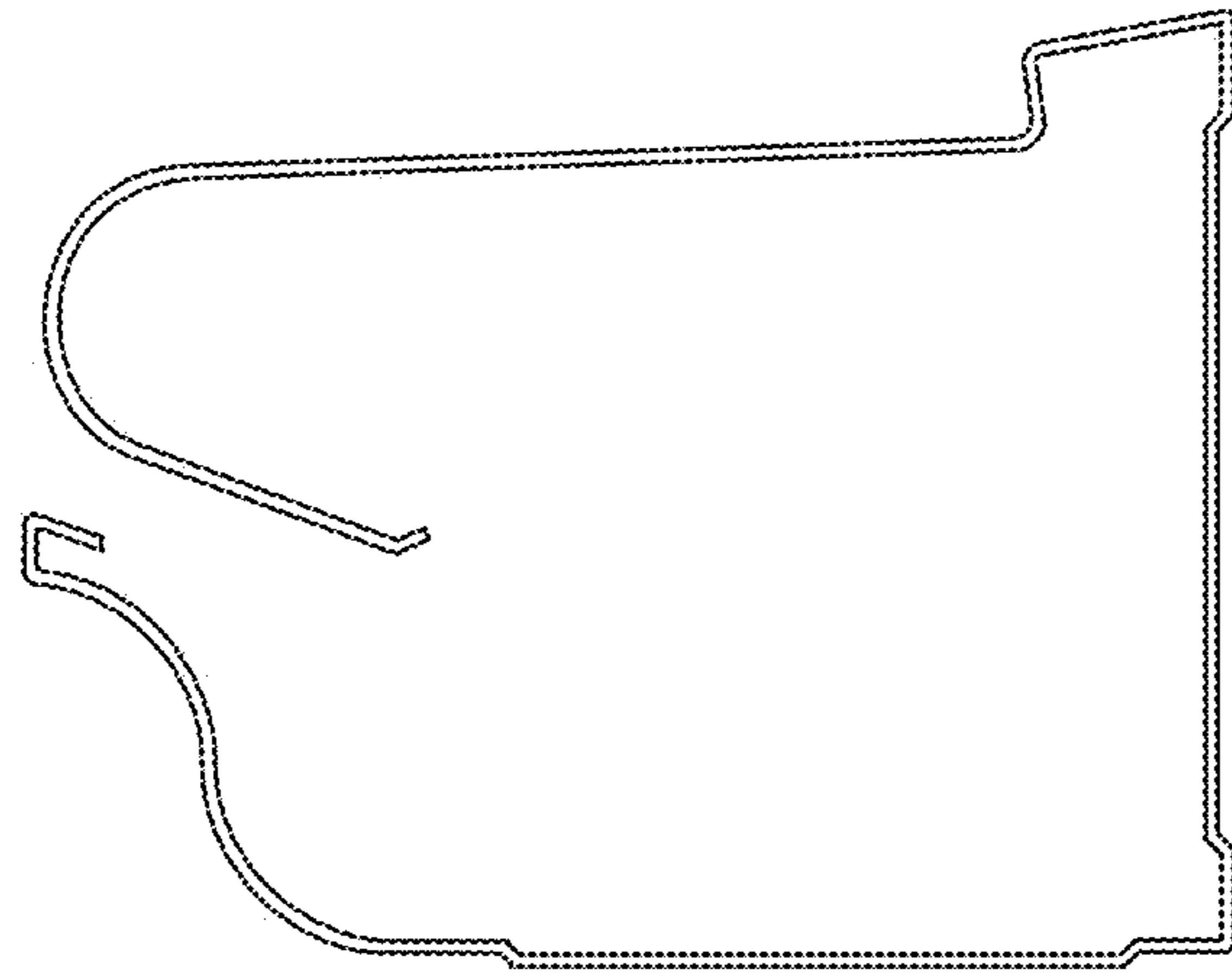


FIG. 3

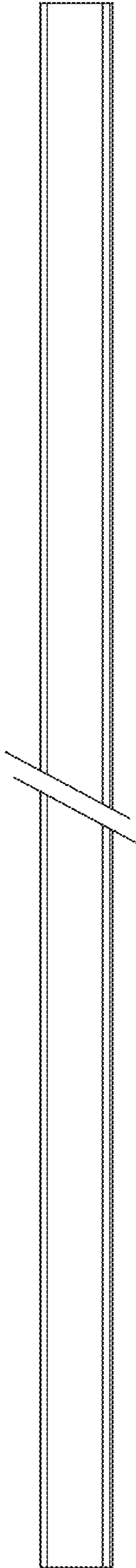


FIG. 4

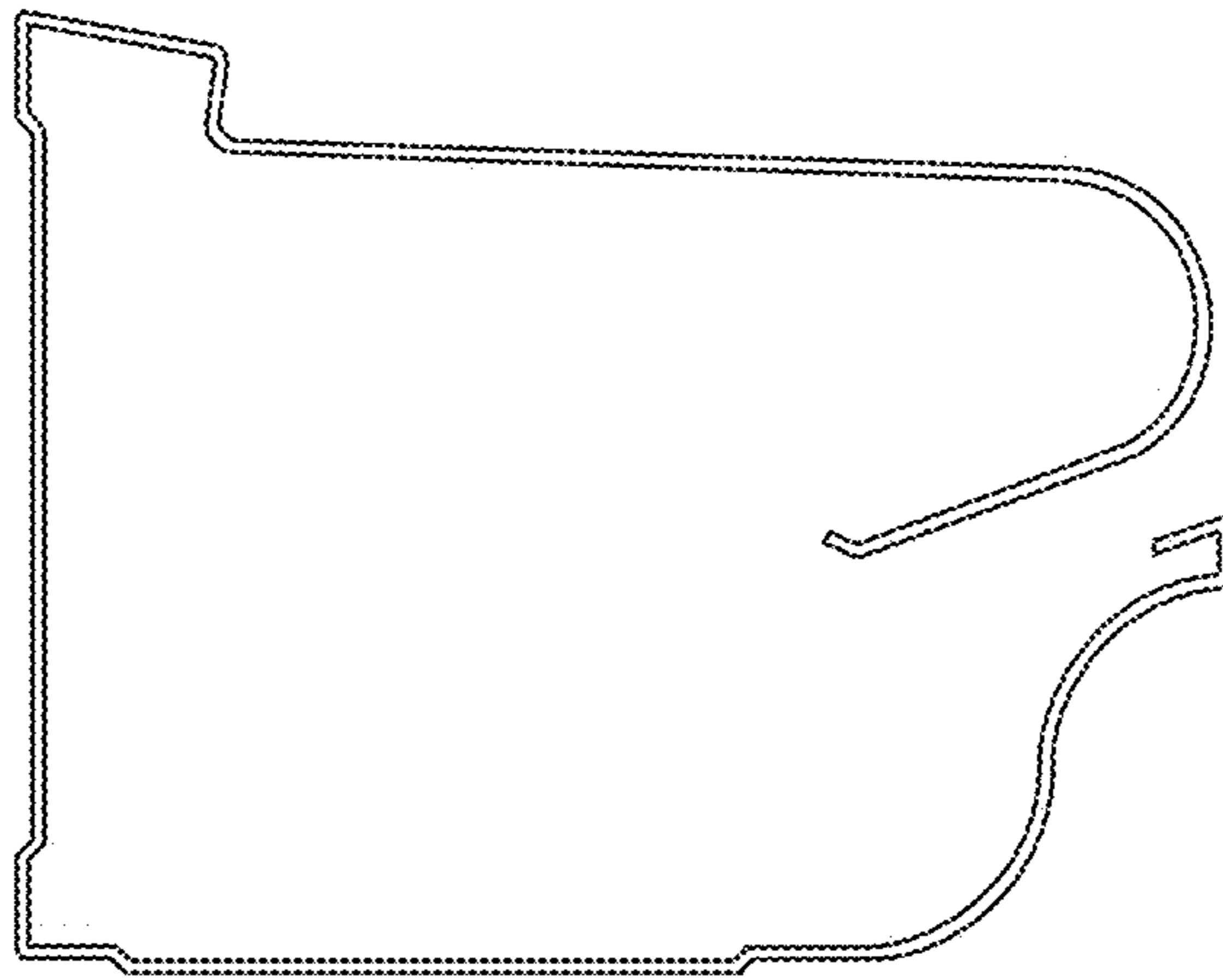


FIG. 5

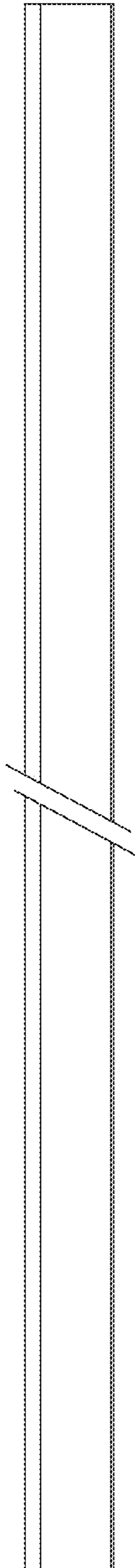


FIG. 6

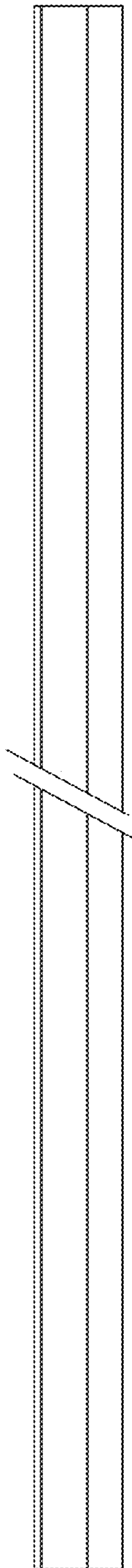


FIG. 7

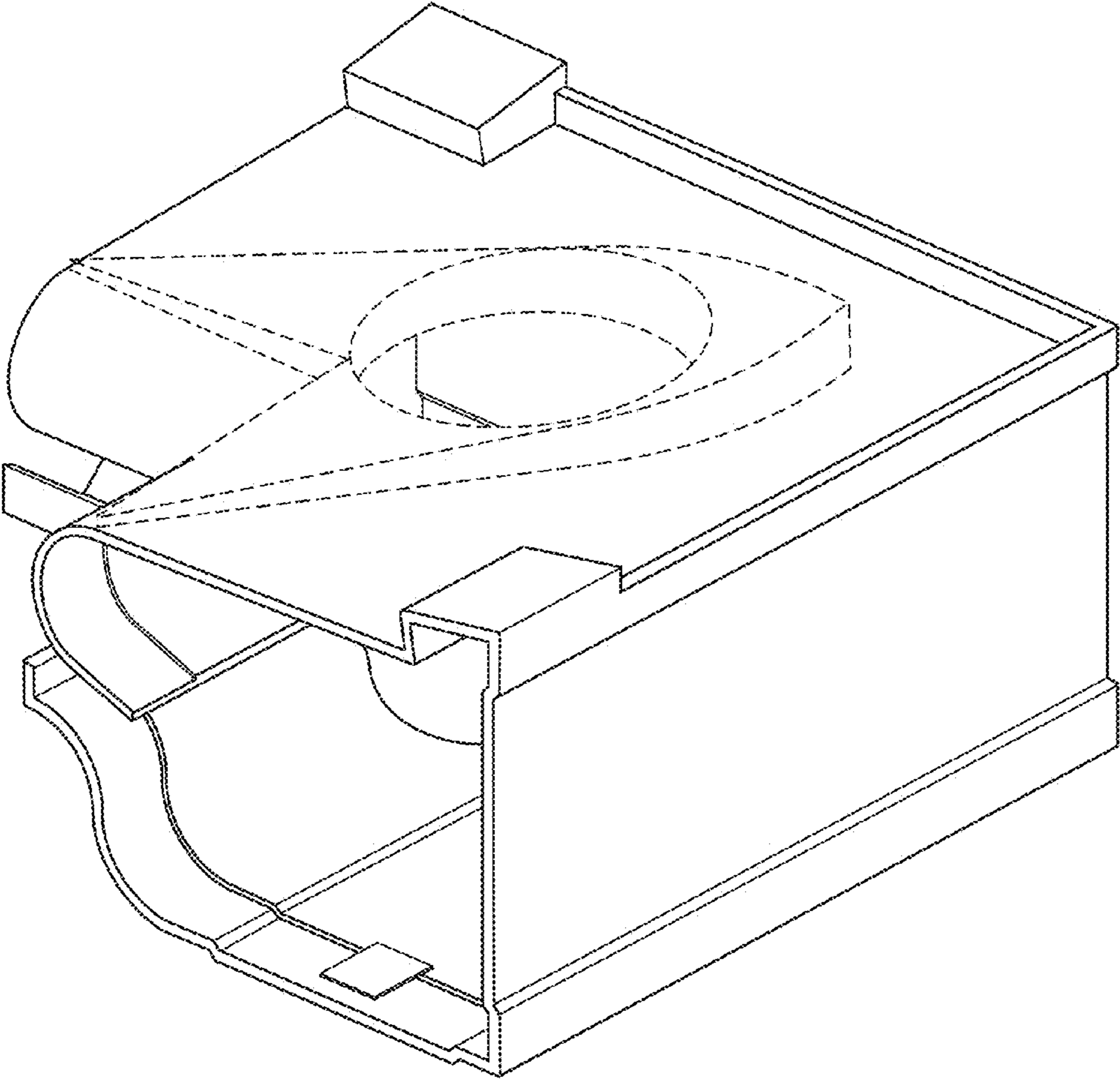


FIG. 8

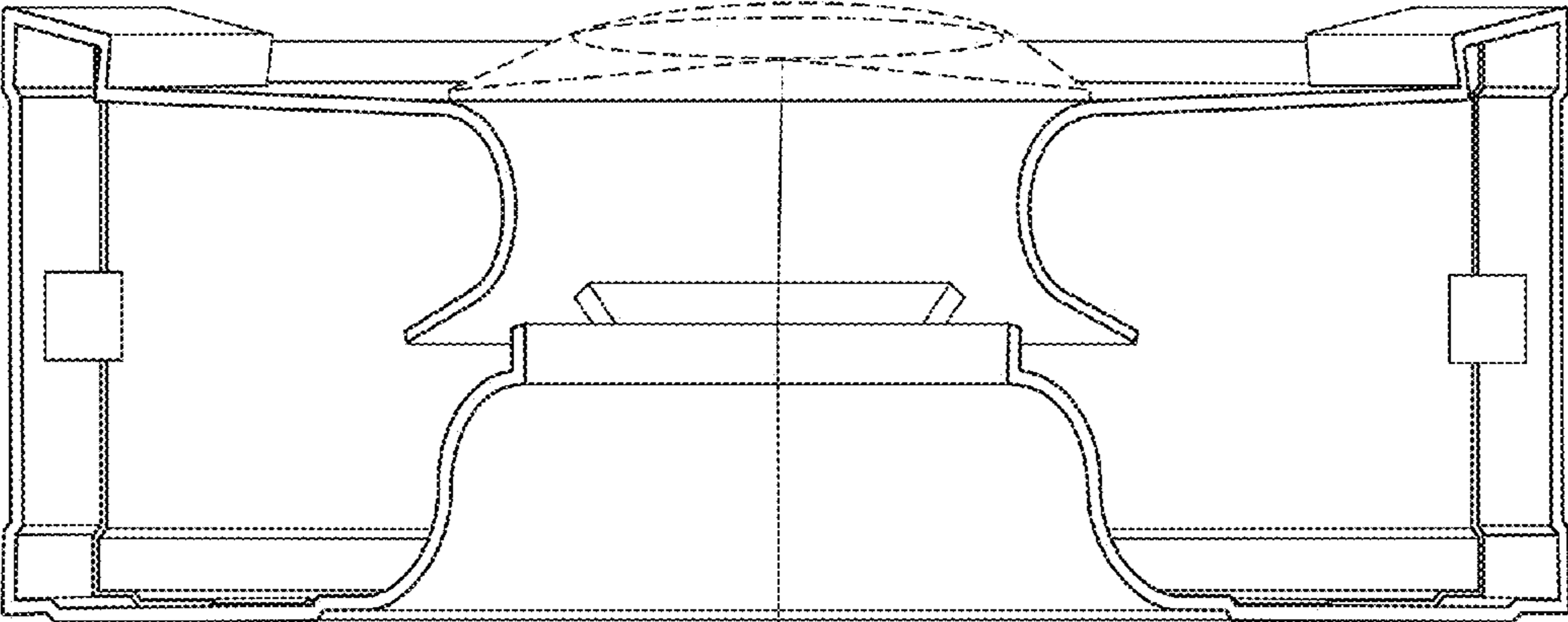


FIG. 9

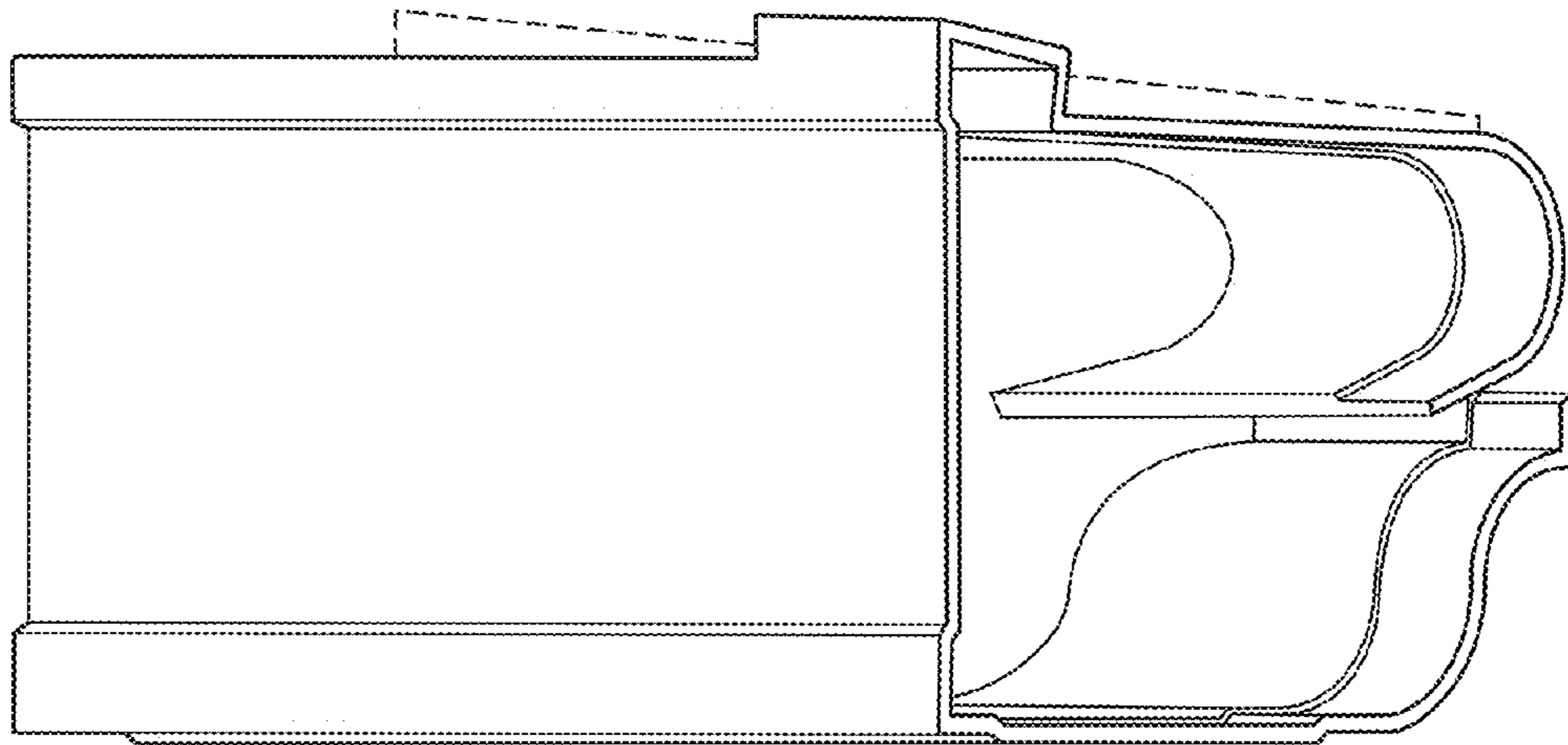


FIG. 10

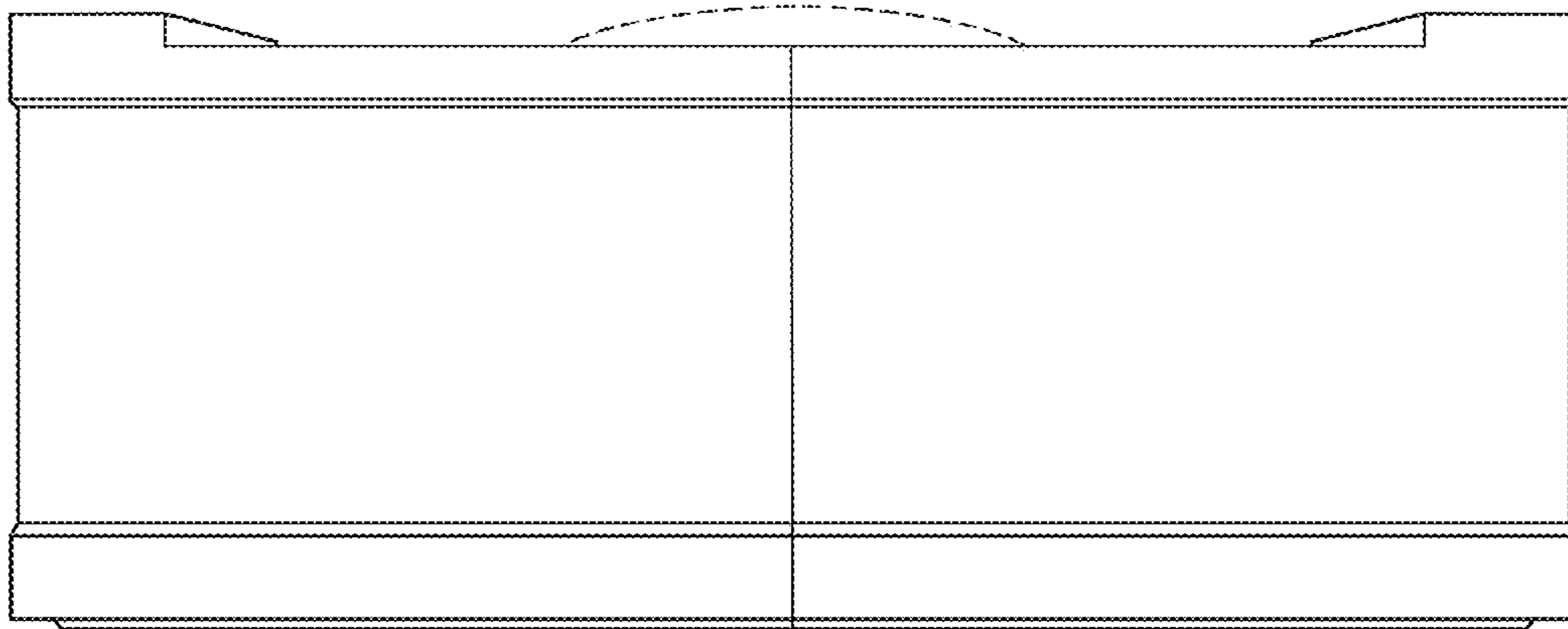


FIG. 11

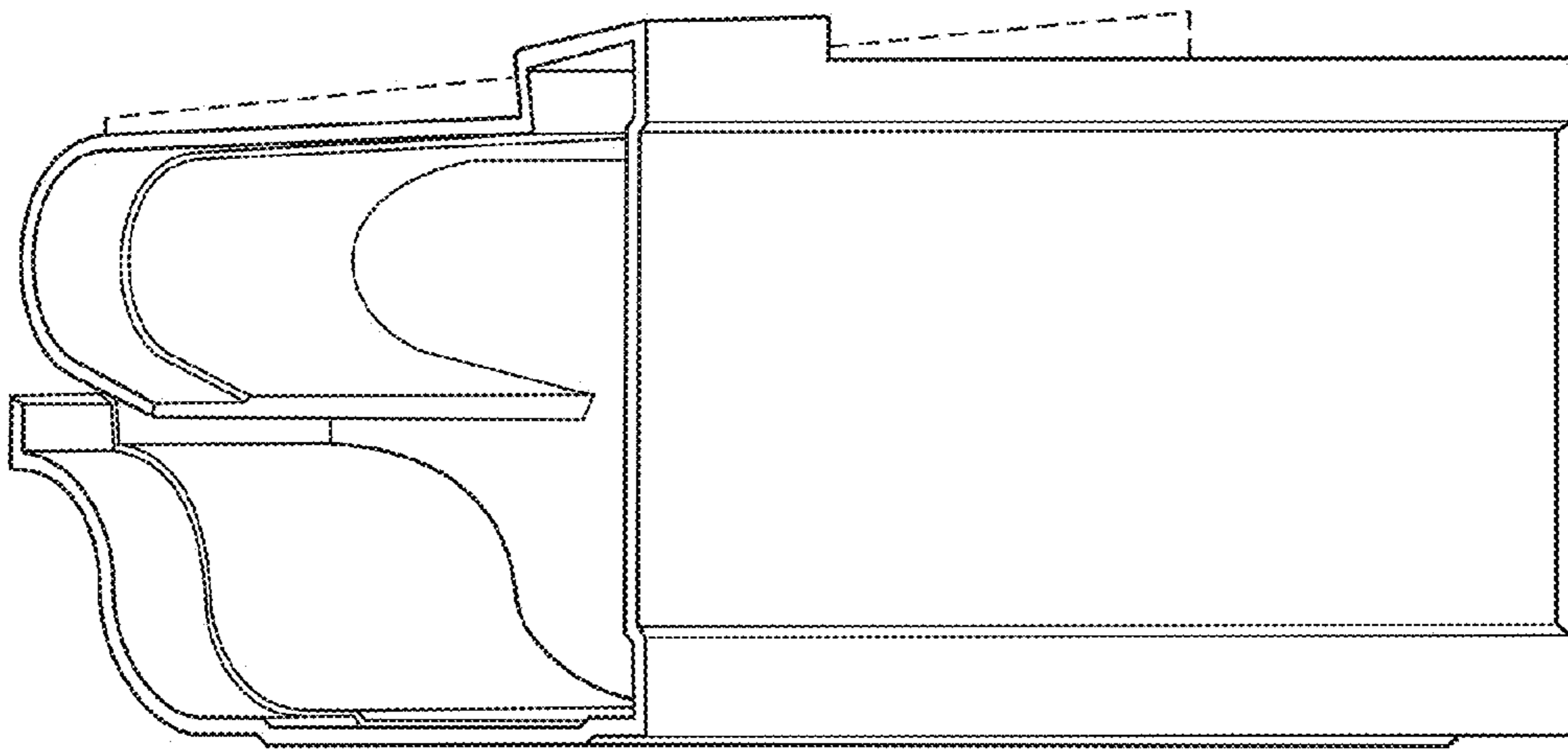


FIG. 12

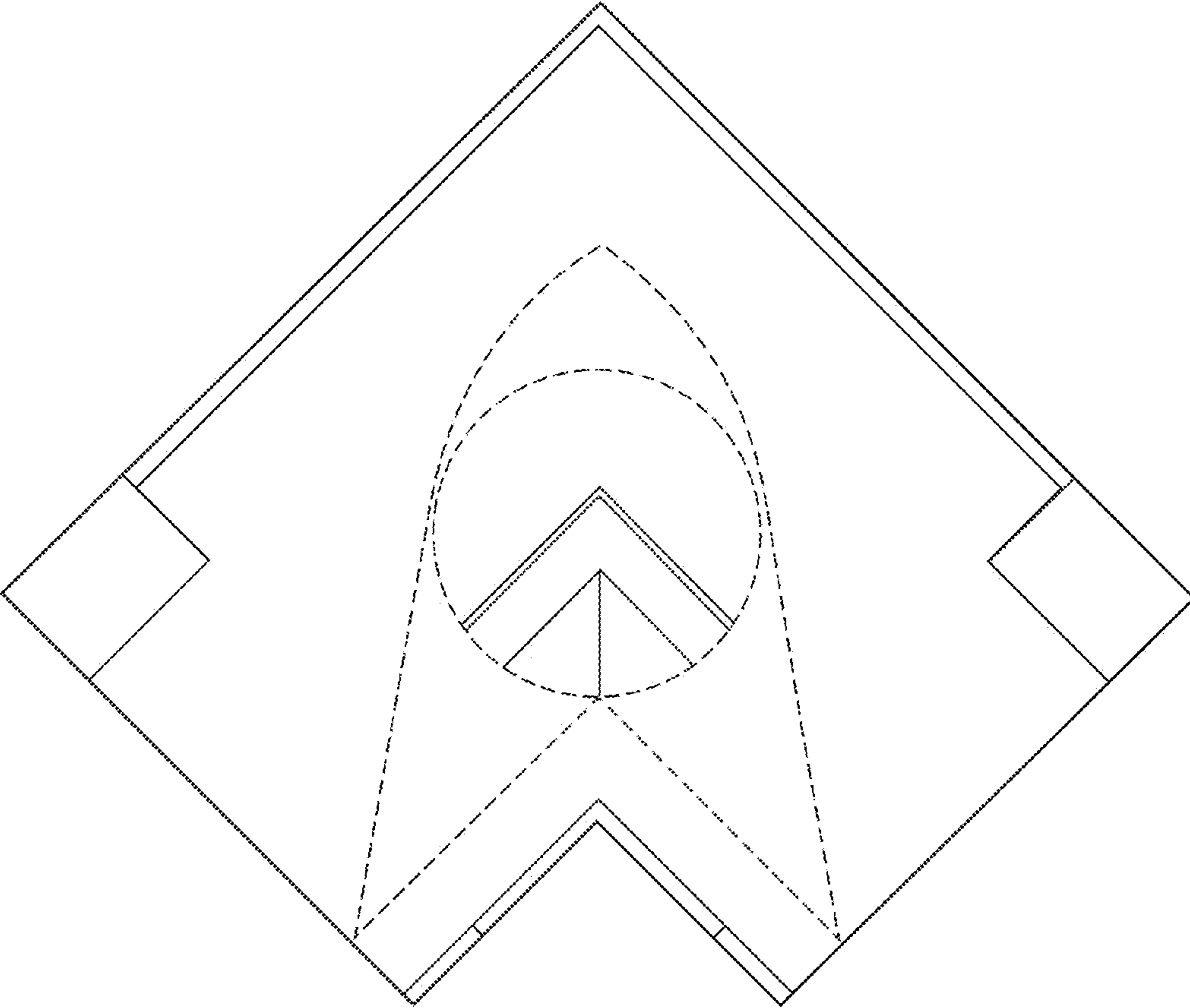


FIG. 13

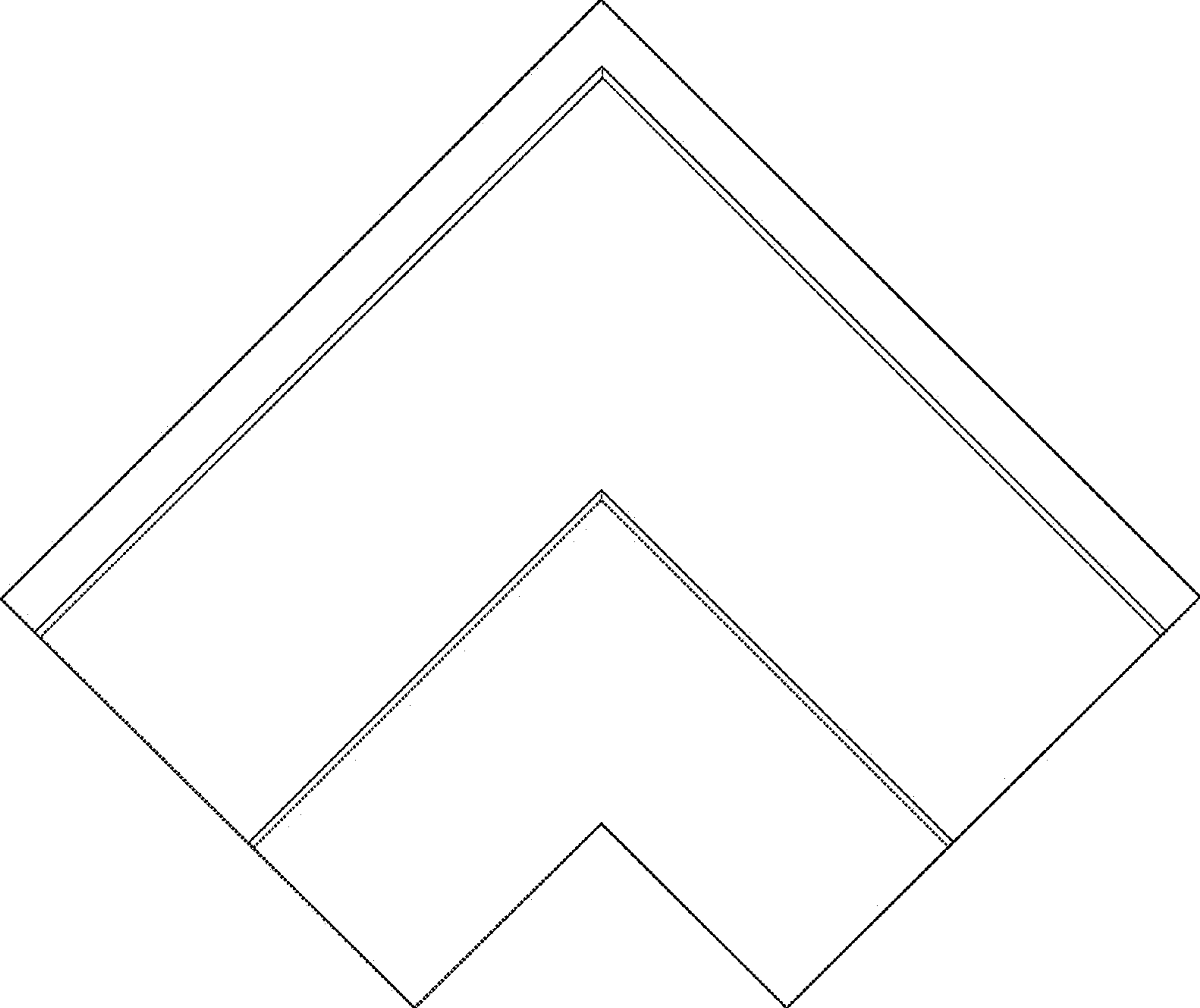


FIG. 14

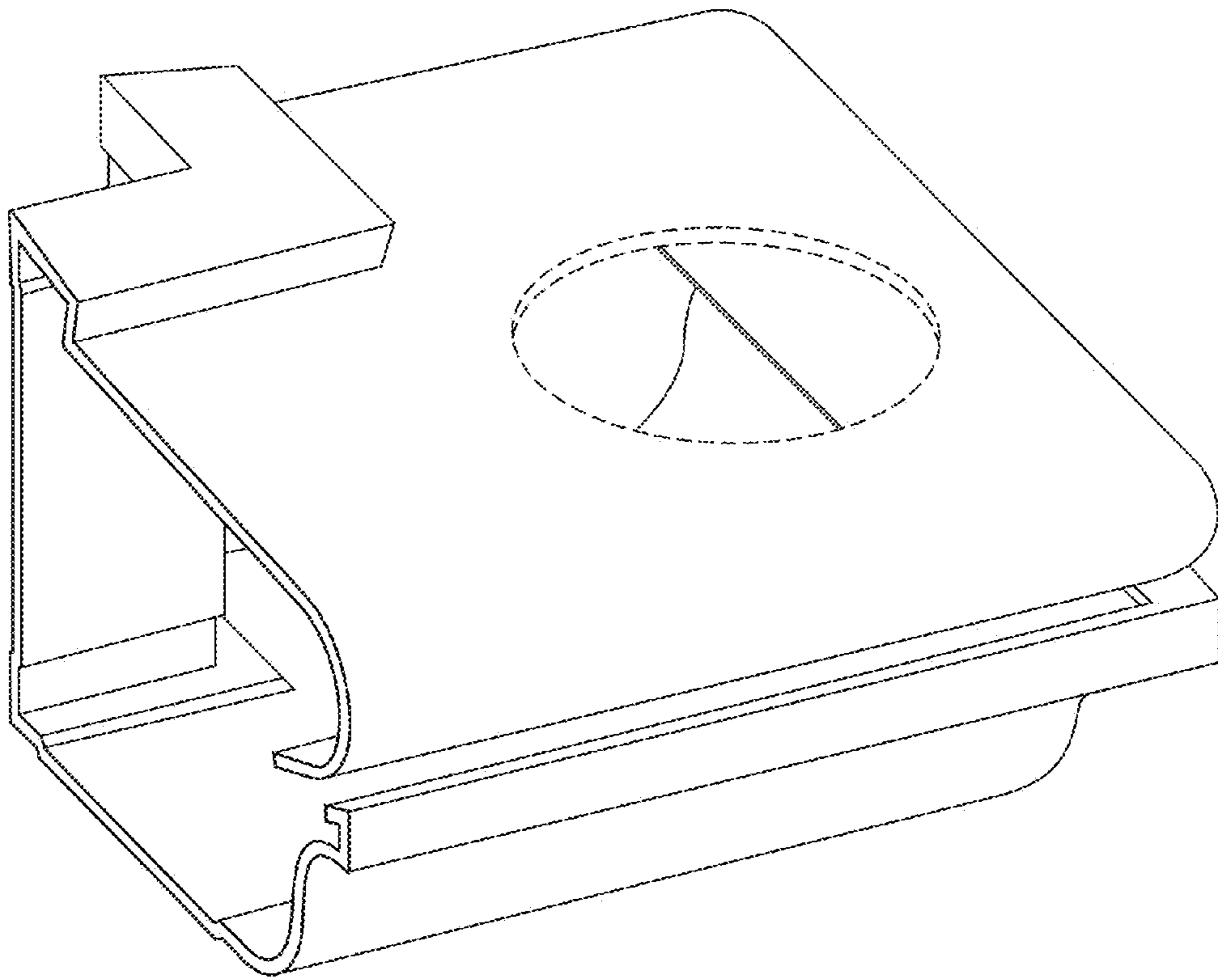


FIG. 15

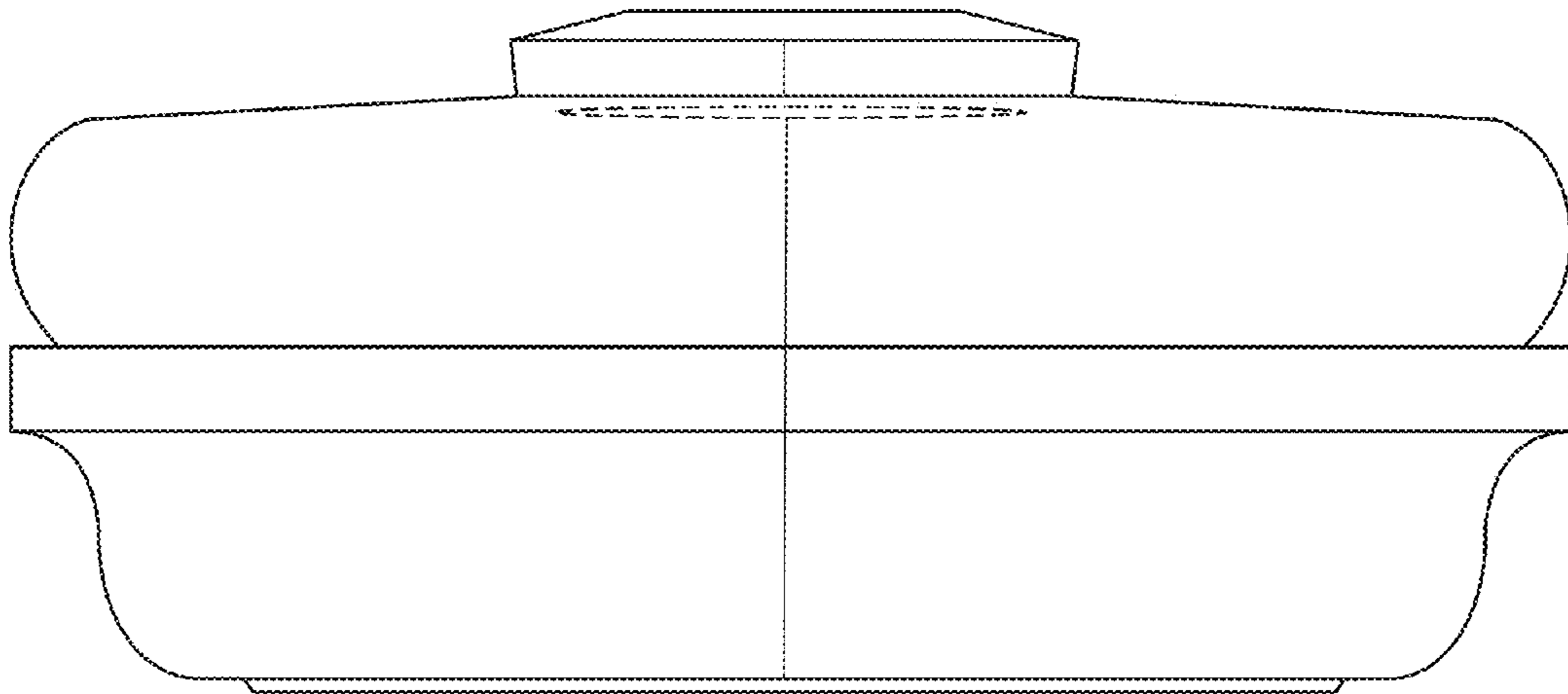


FIG. 16

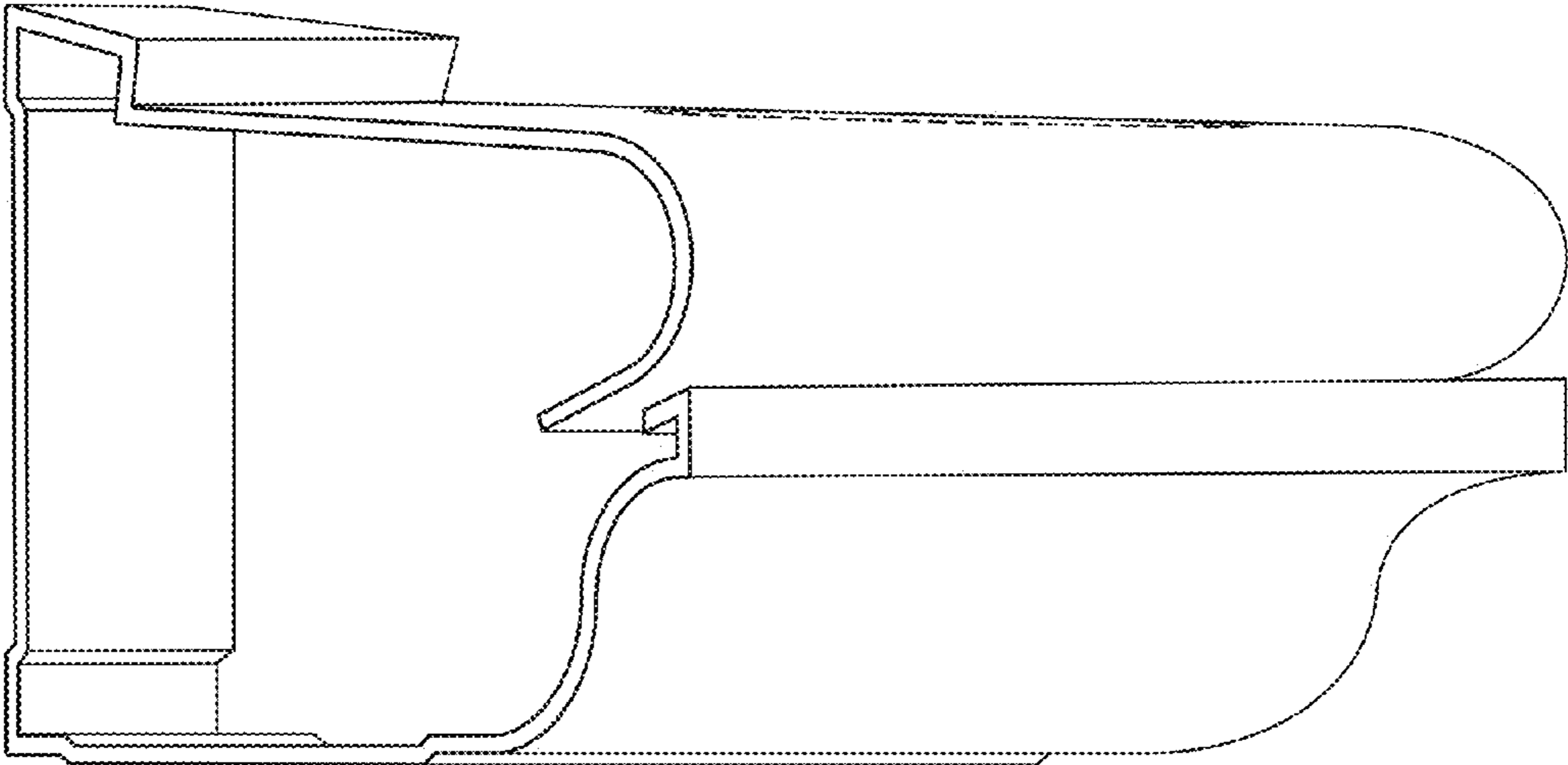


FIG. 17

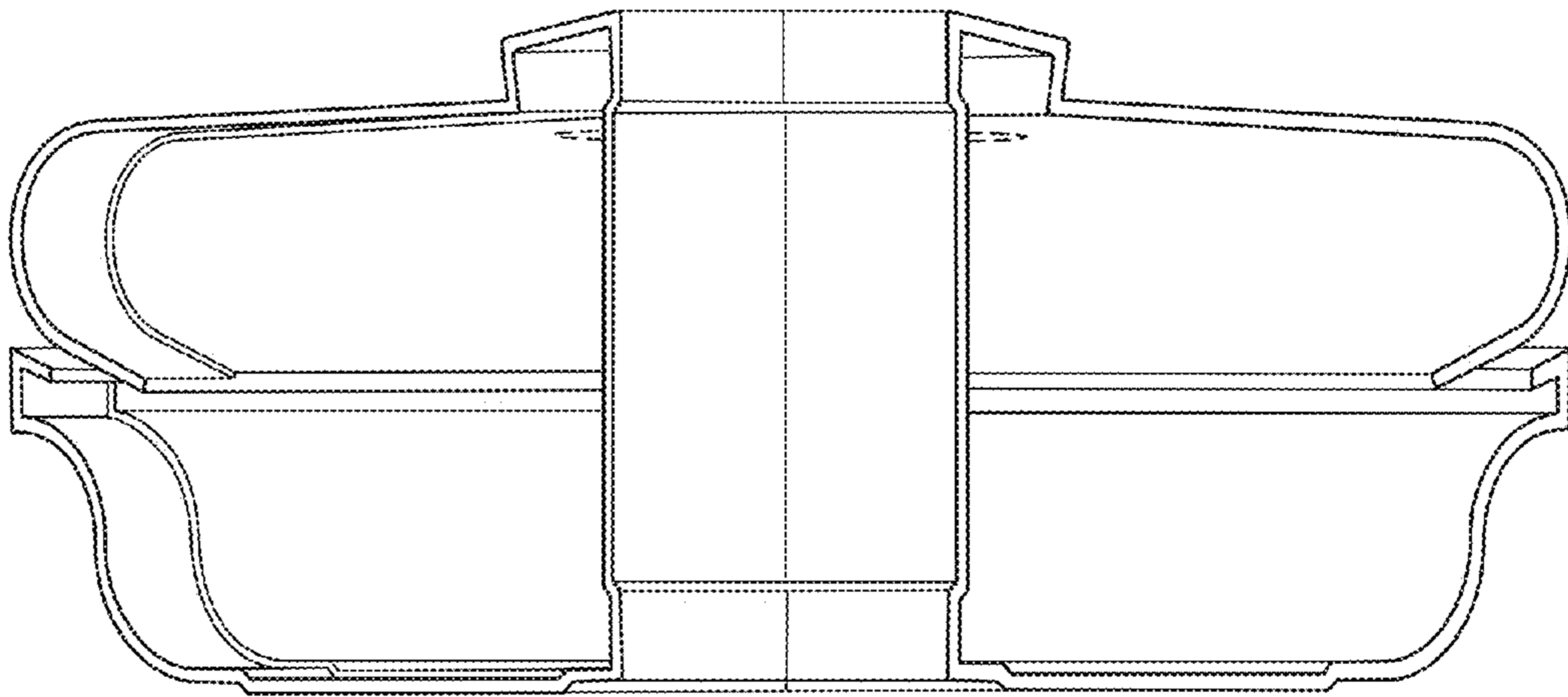


FIG. 18

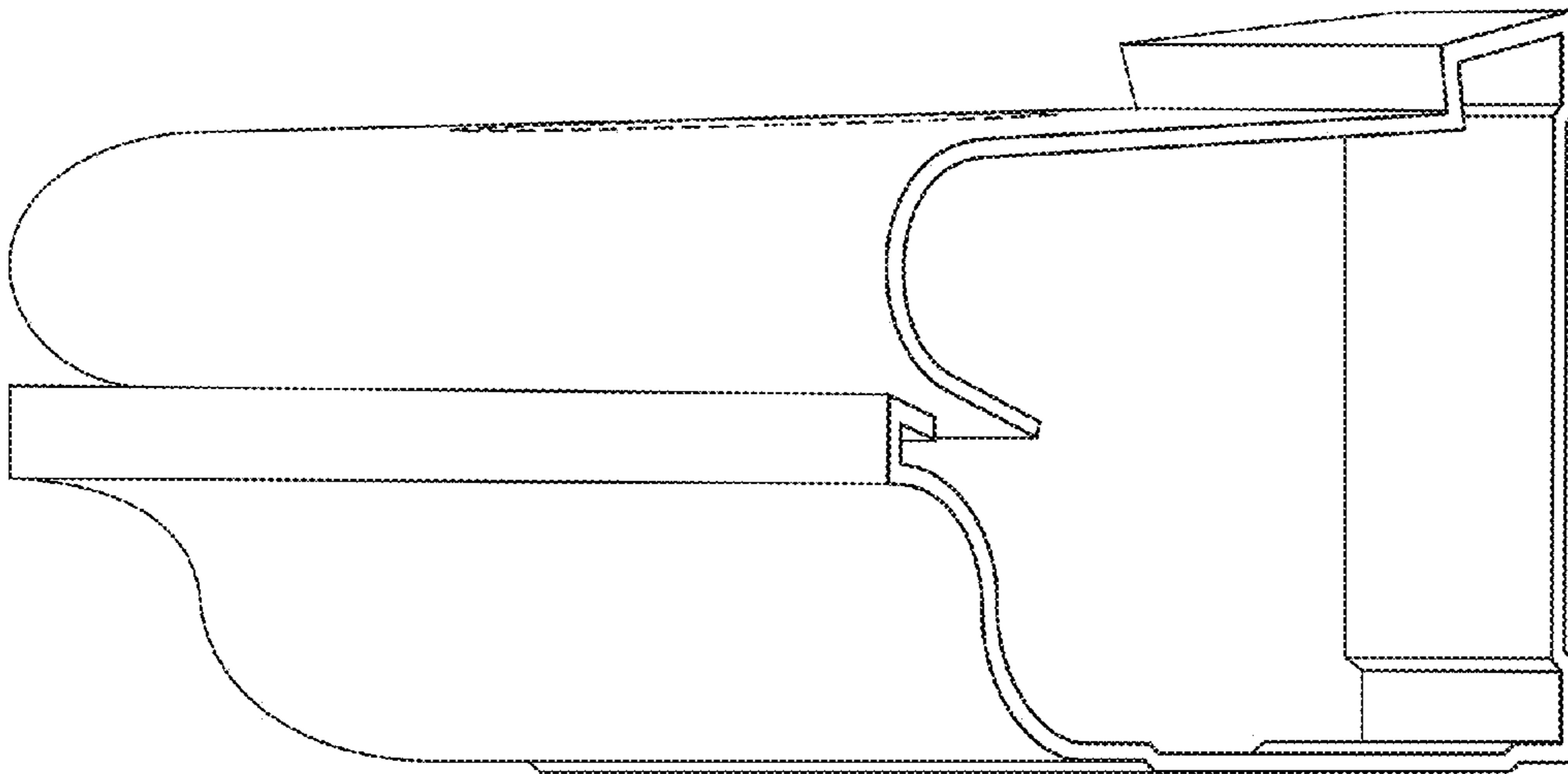


FIG. 19

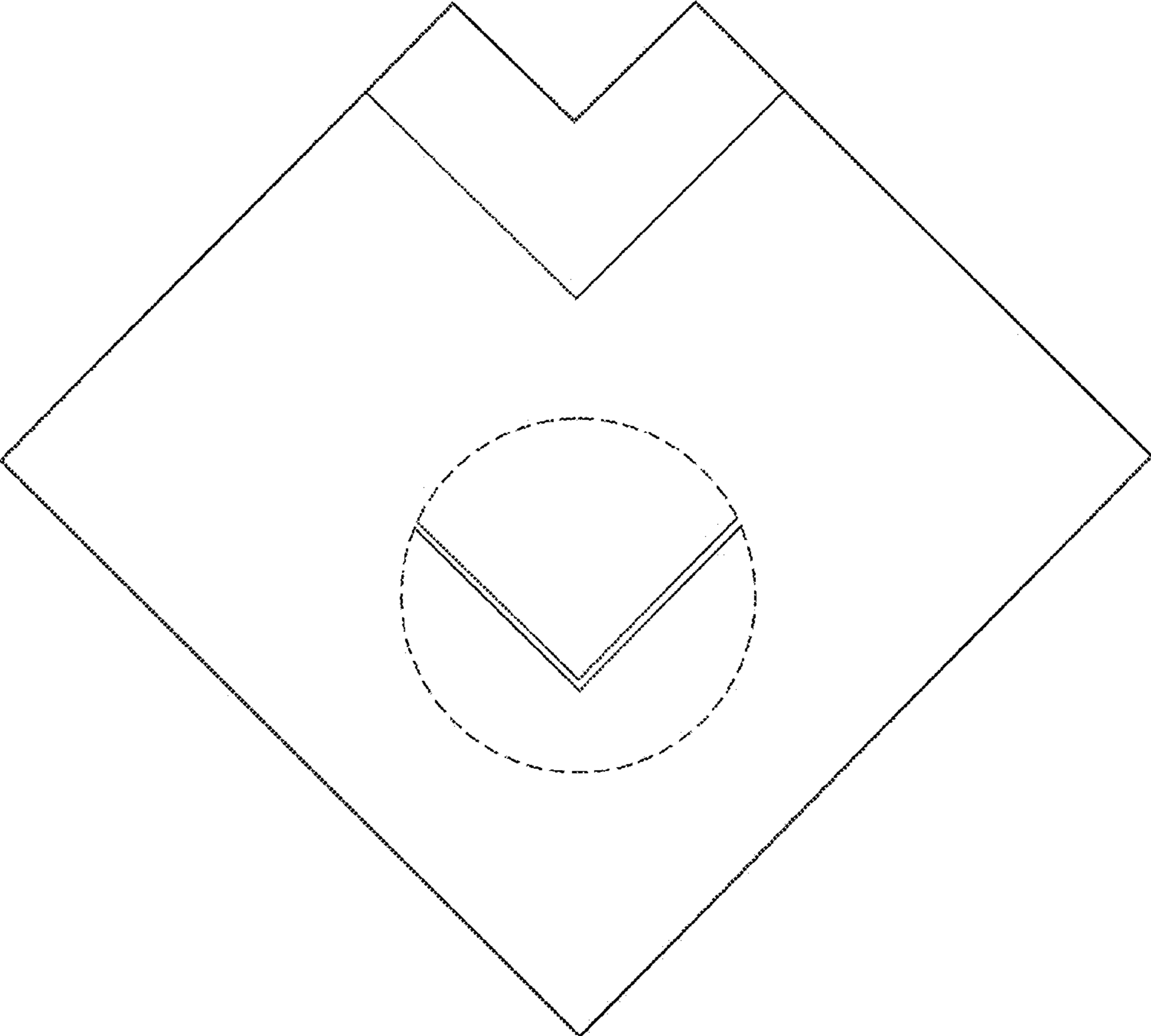


FIG. 20

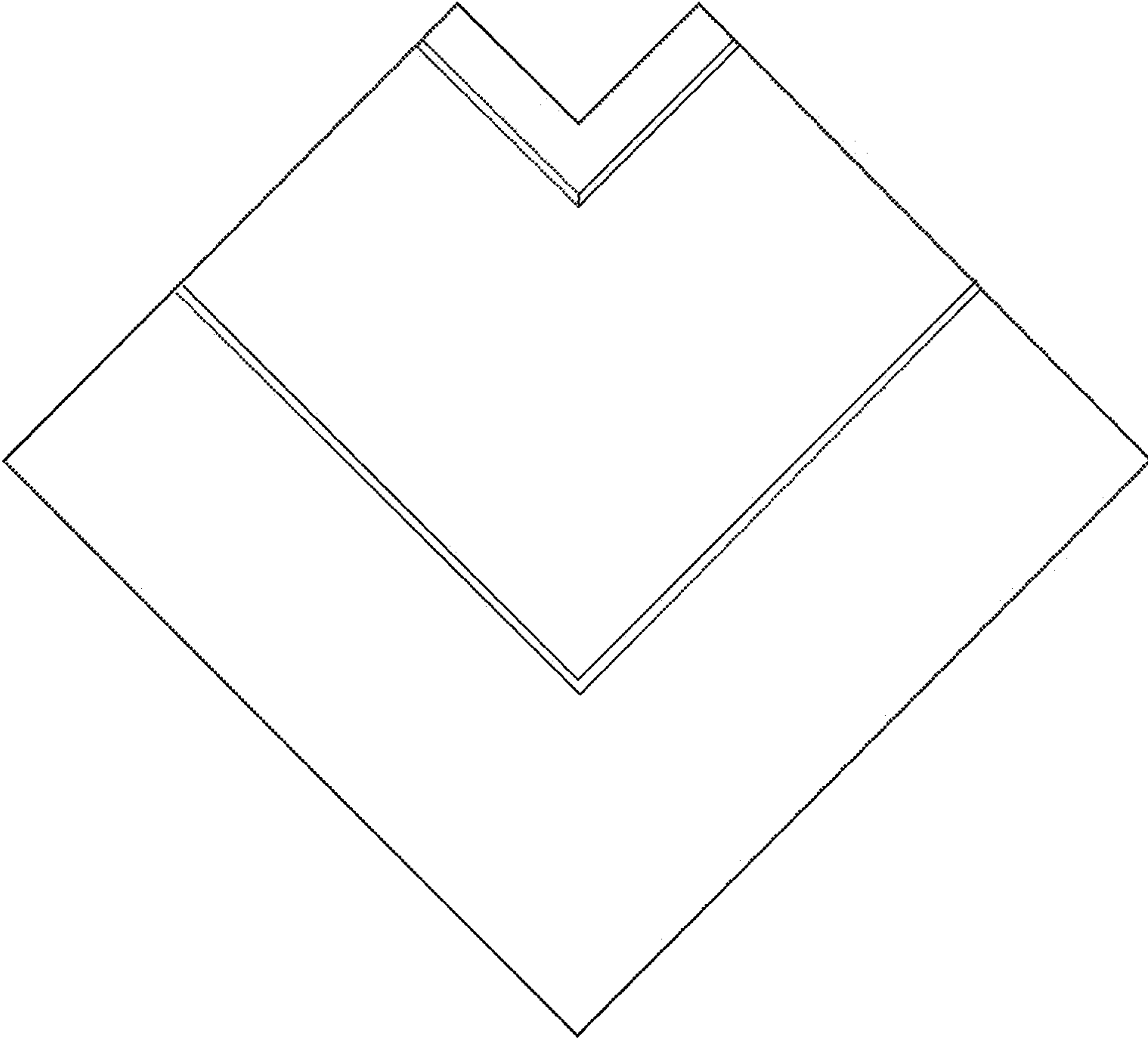


FIG. 21

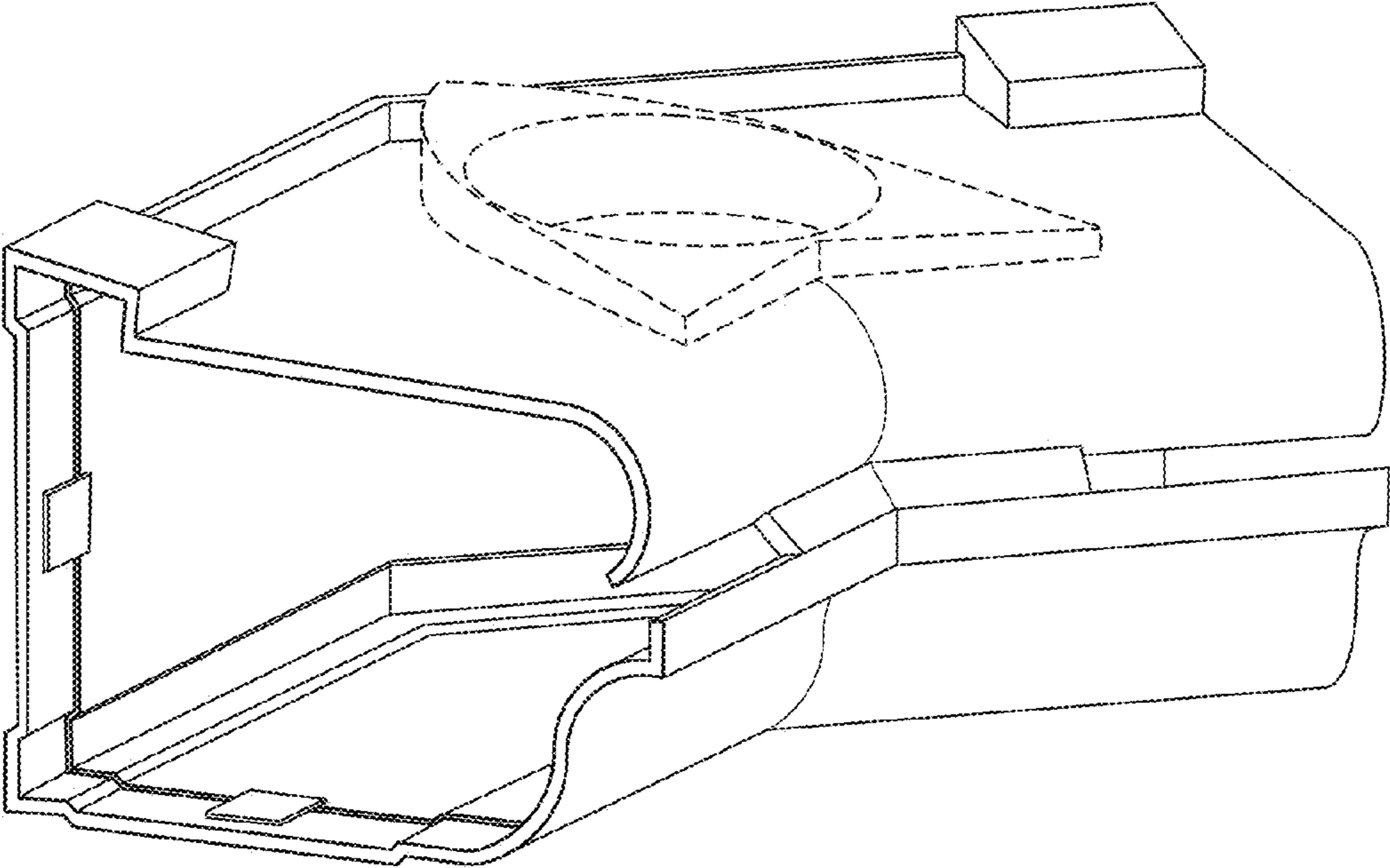


FIG. 22

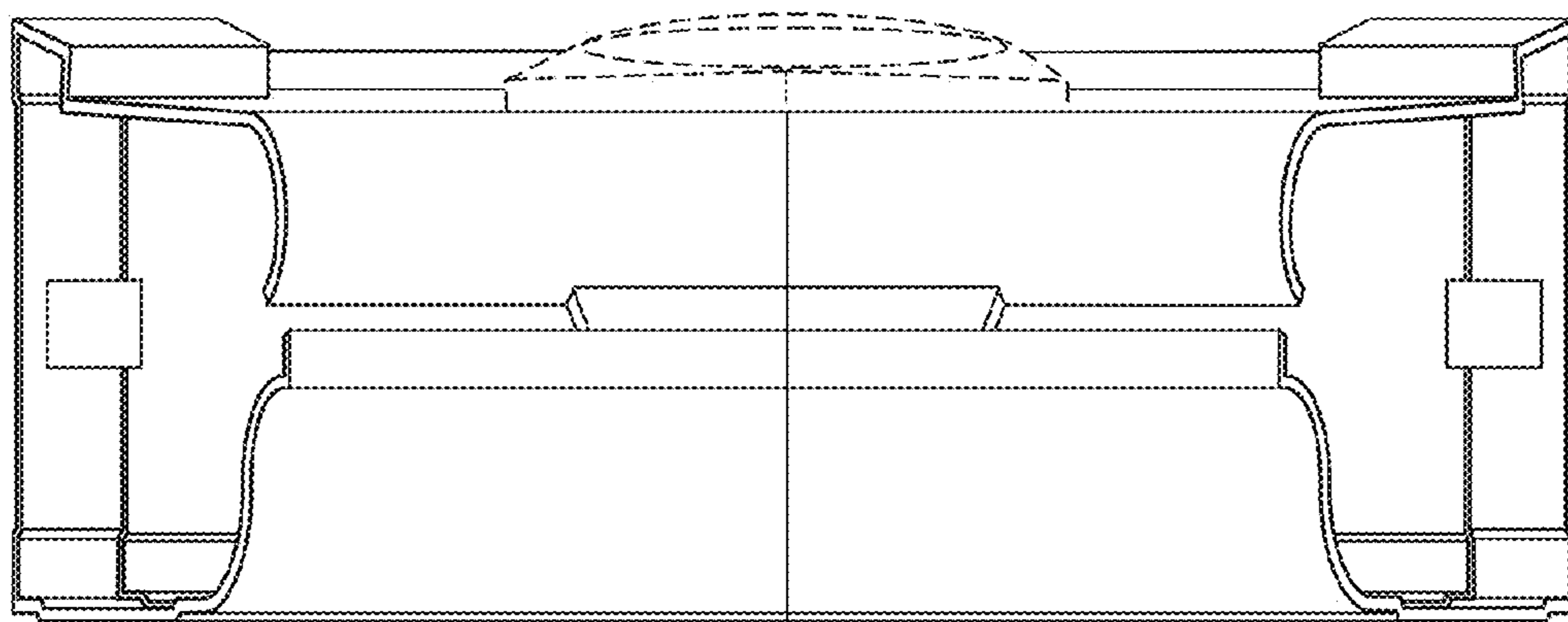


FIG. 23

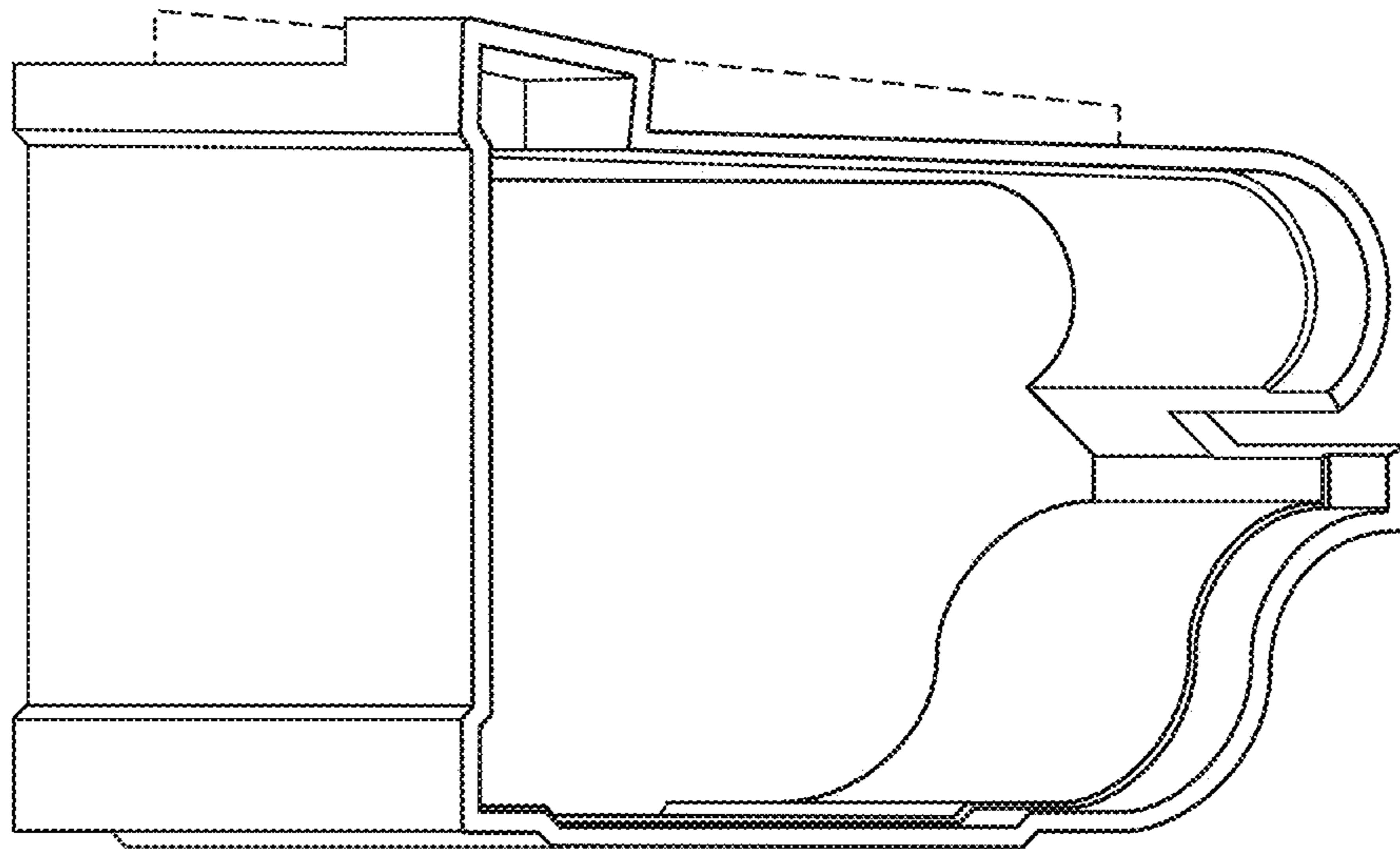


FIG. 24

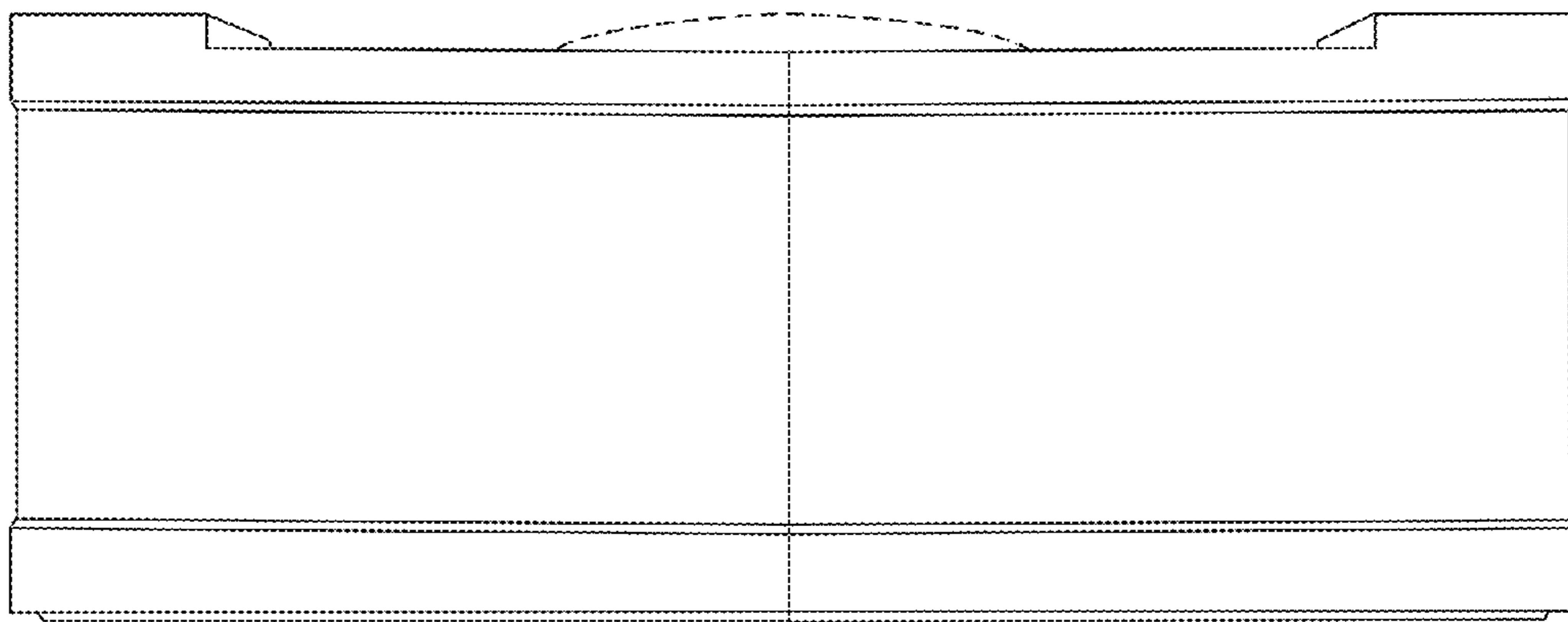


FIG. 25

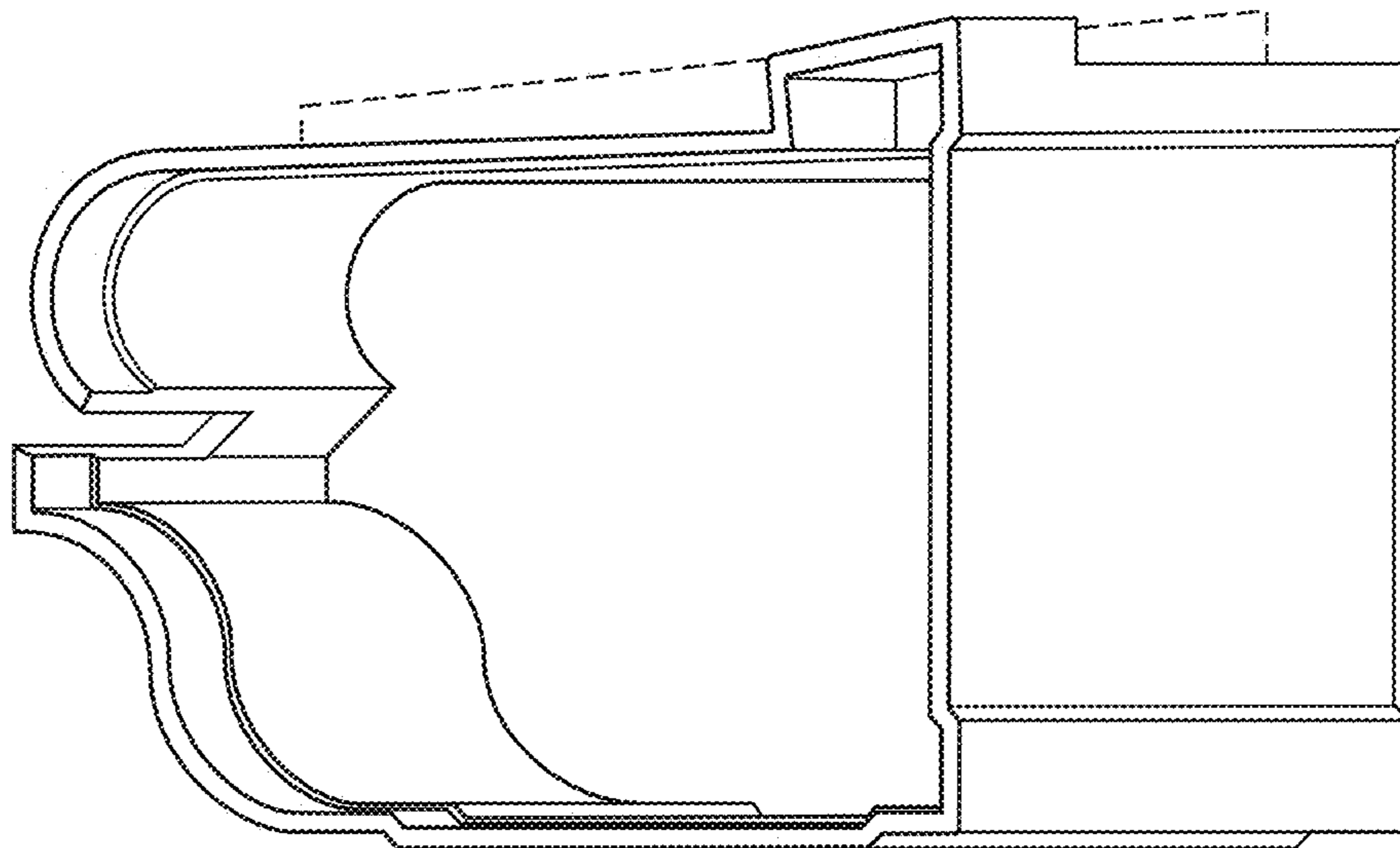


FIG. 26

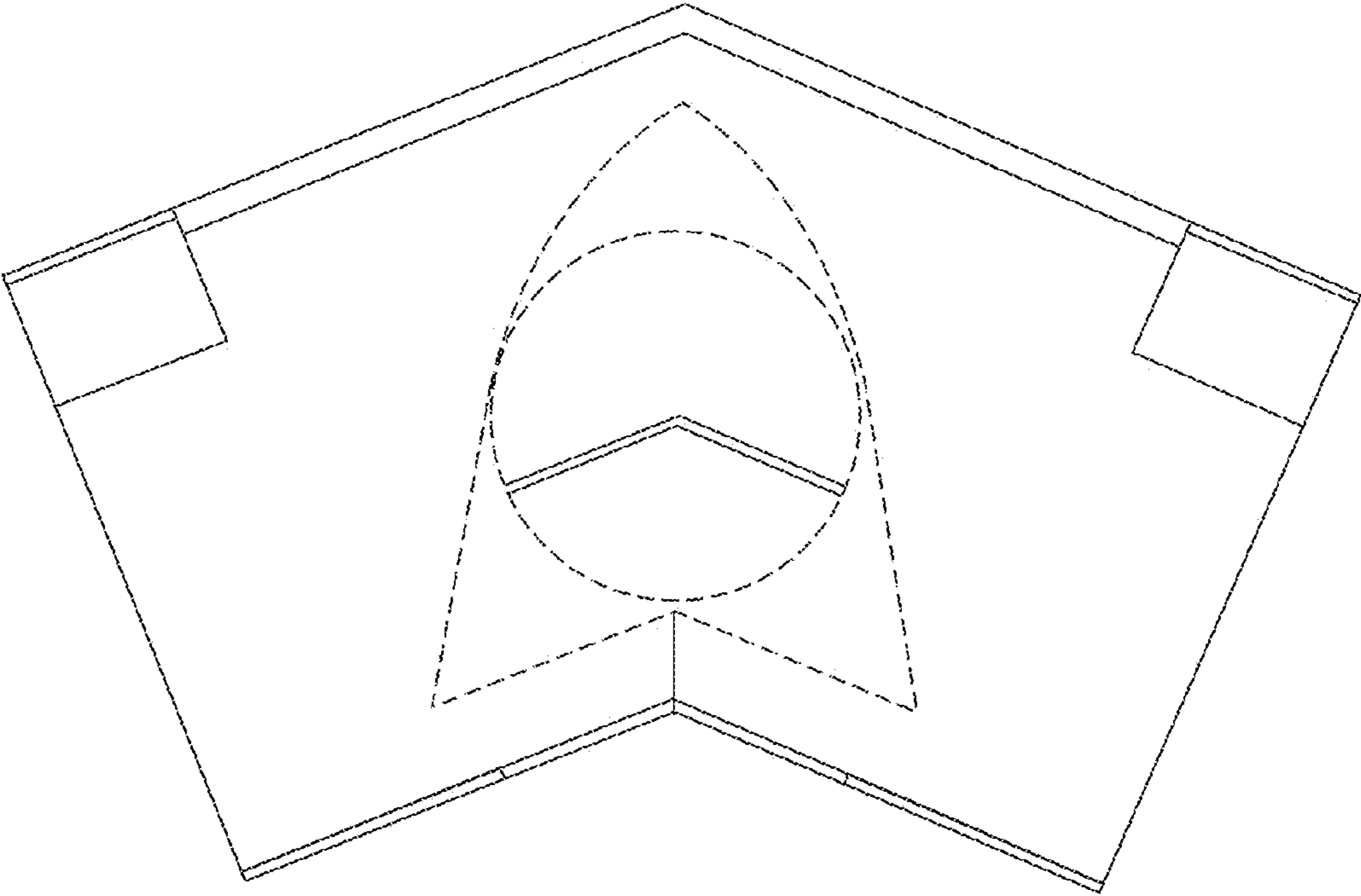


FIG. 27

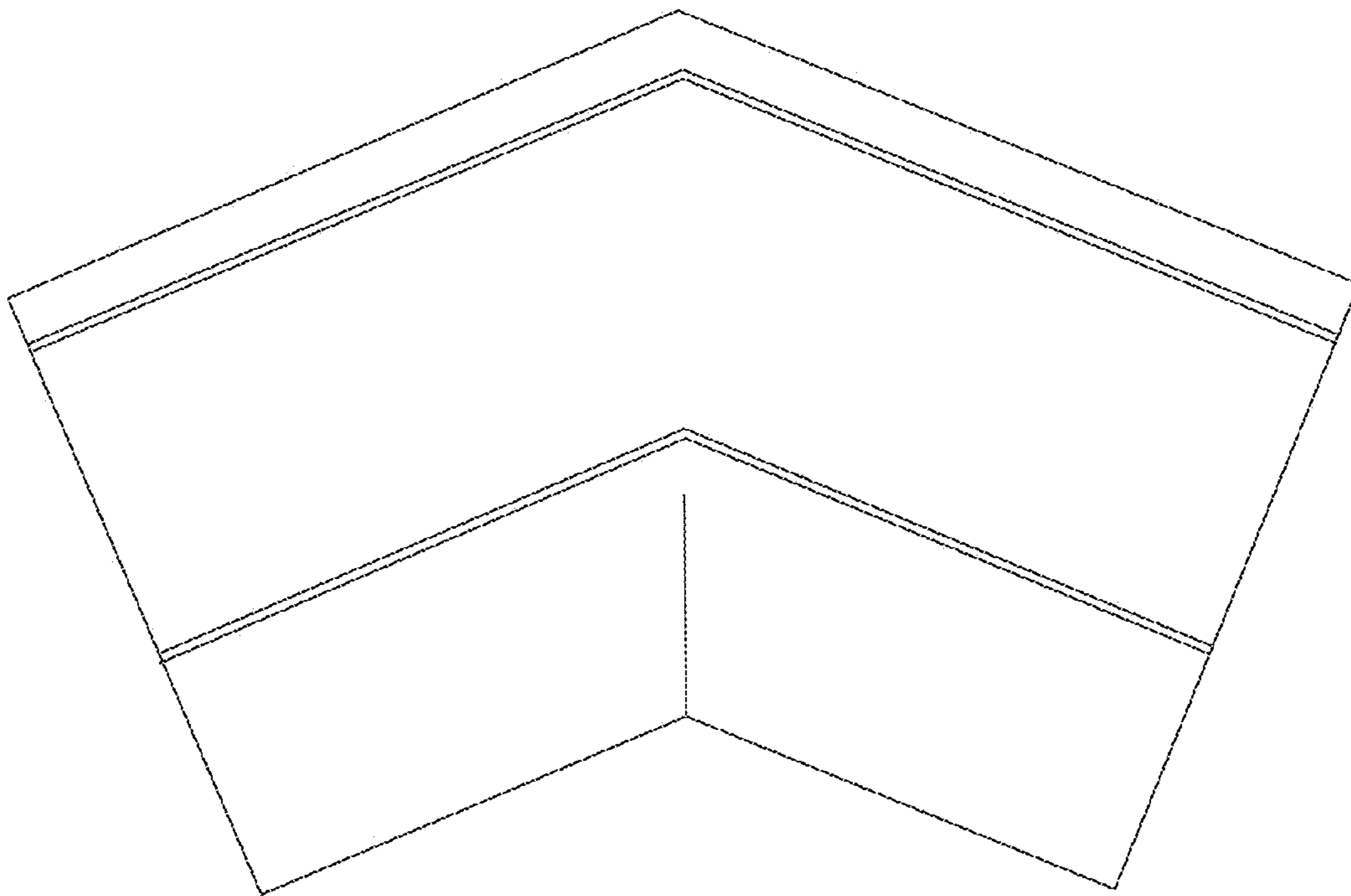


FIG. 28

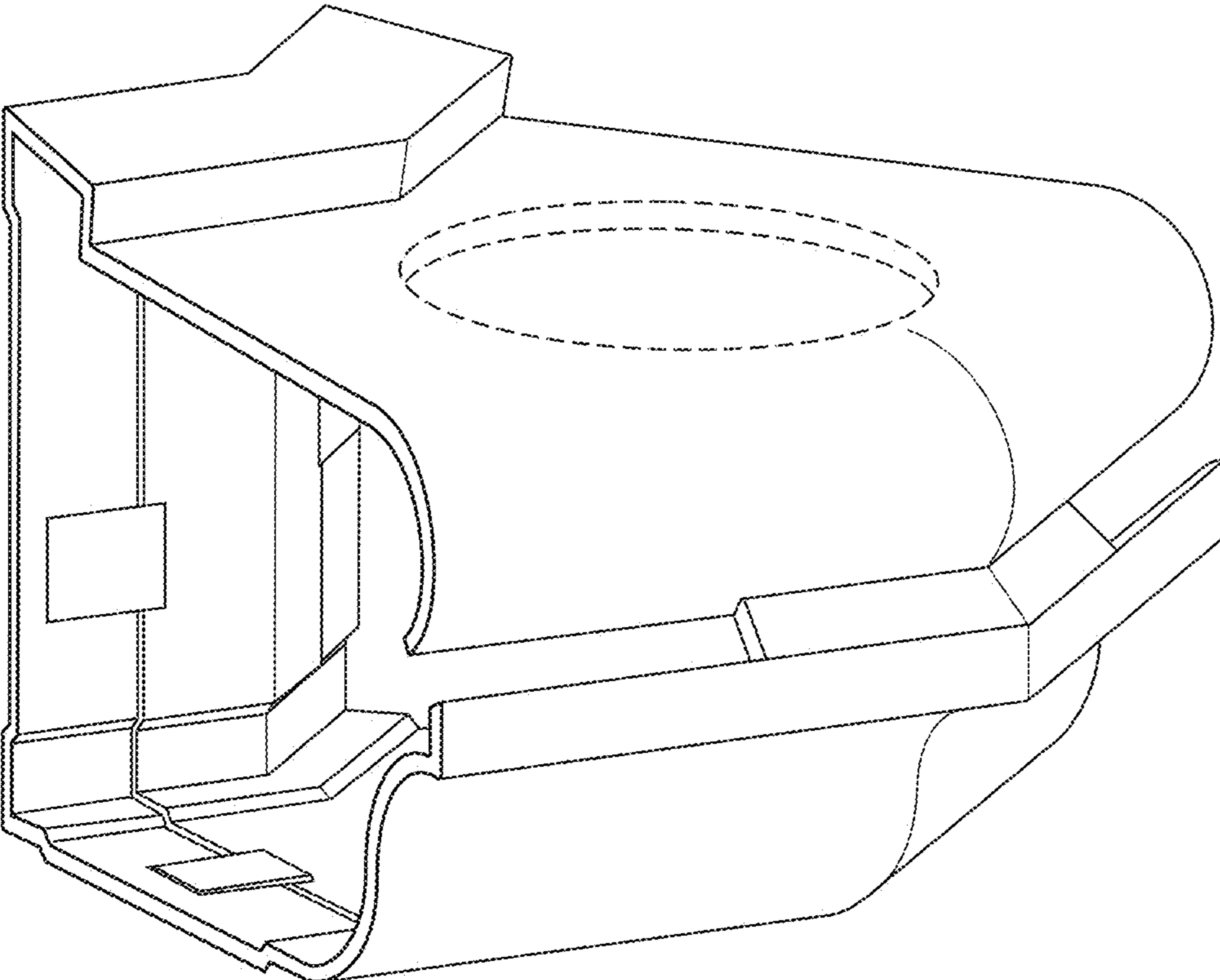


FIG. 29

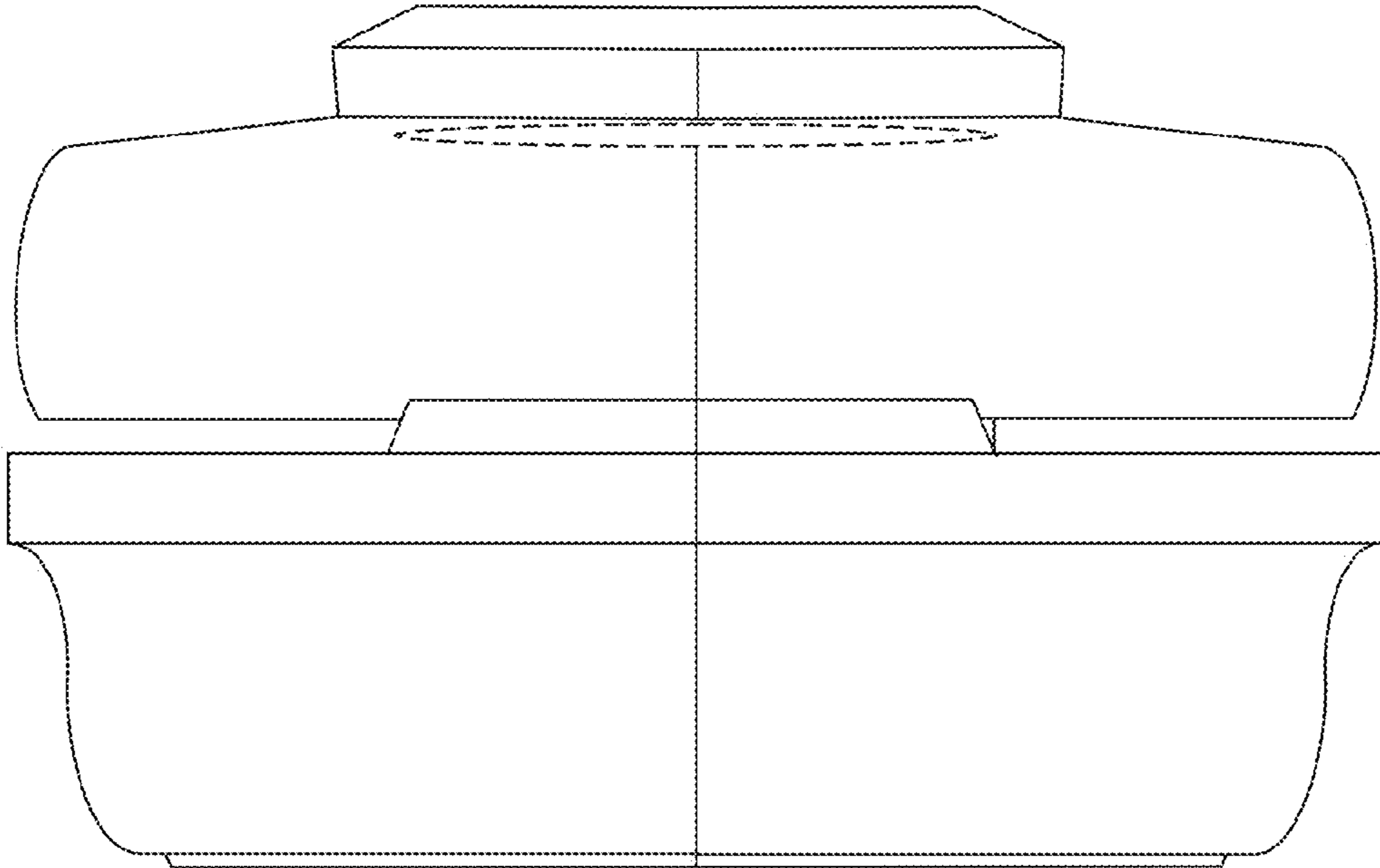


FIG. 30

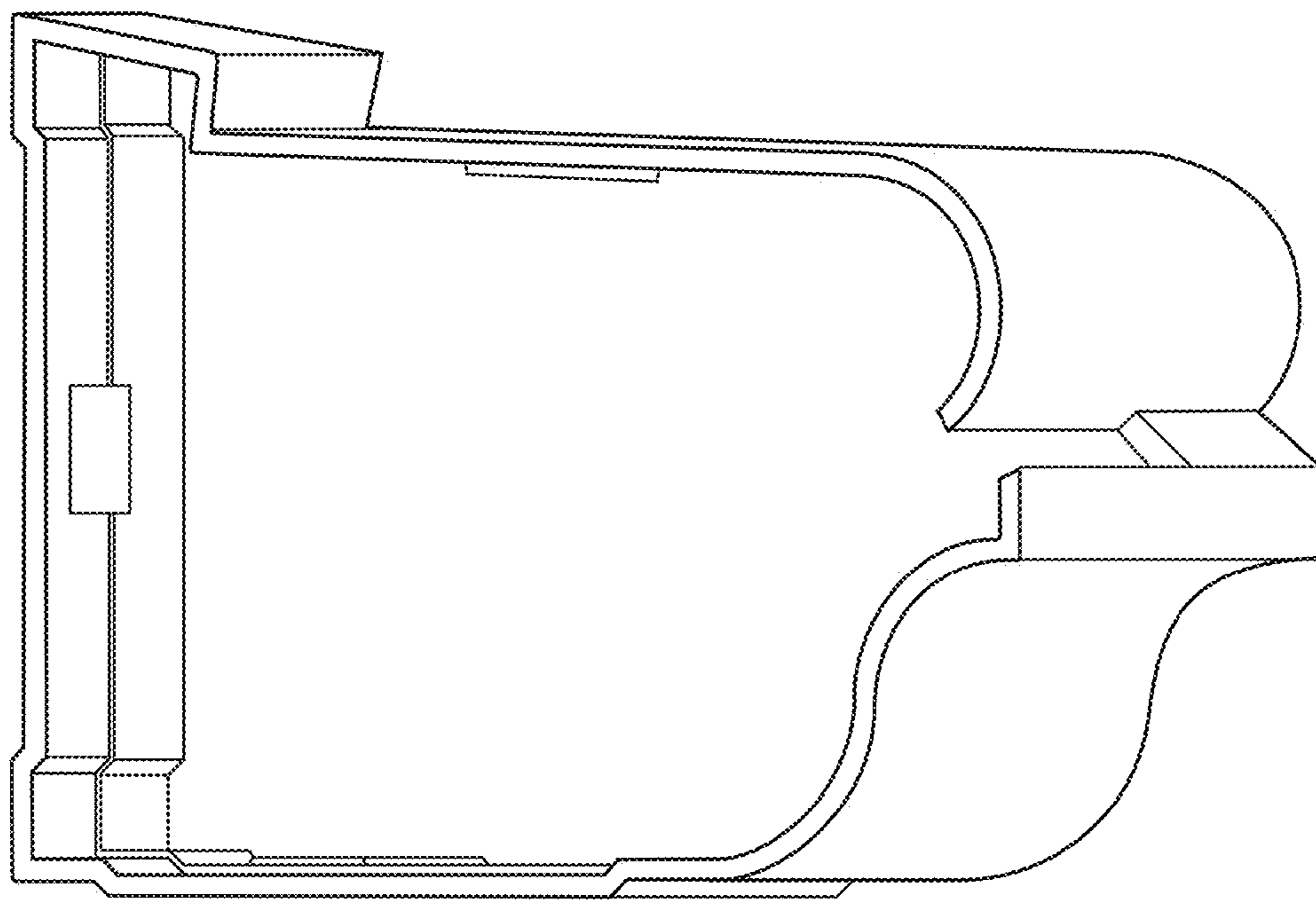


FIG. 31

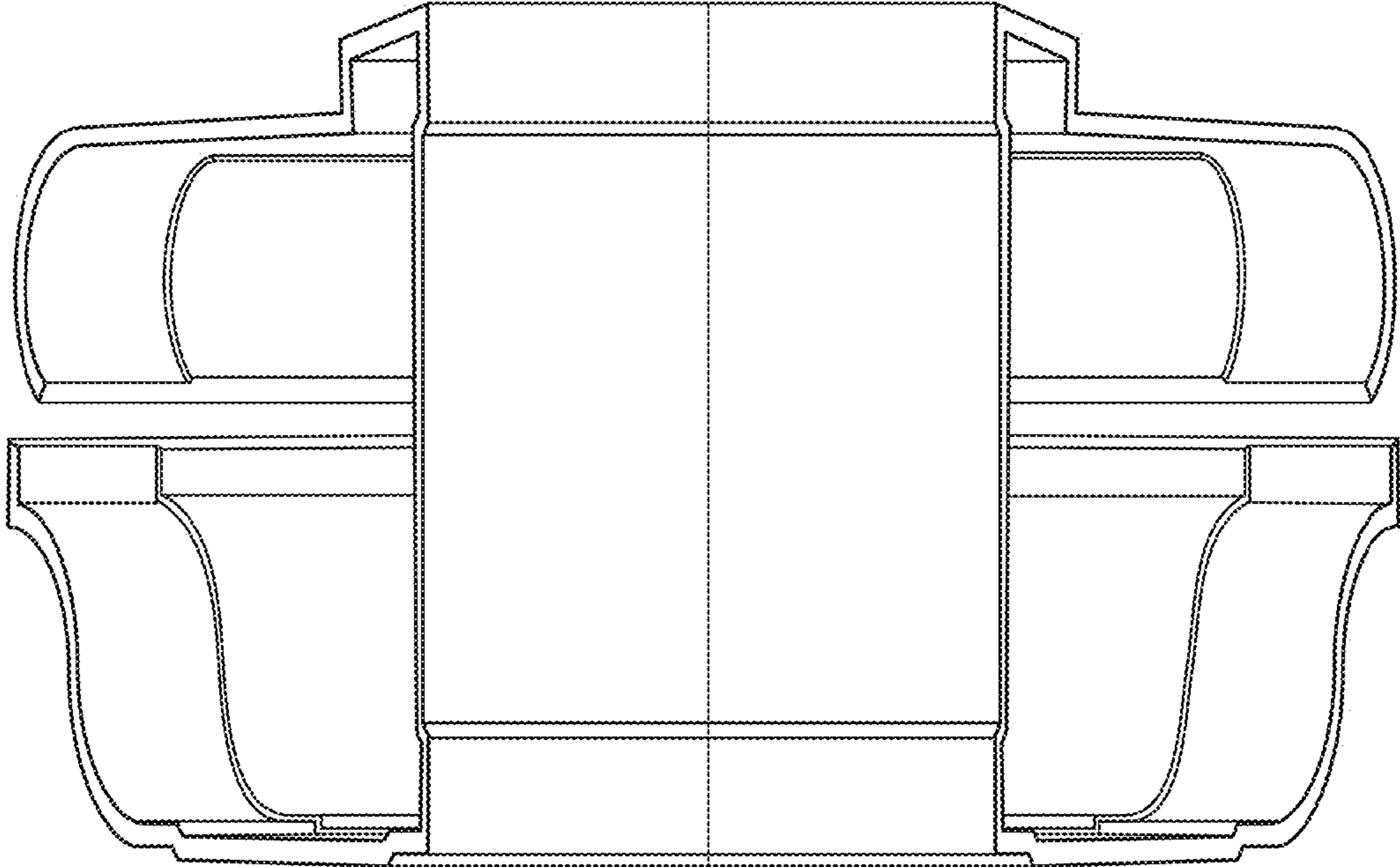


FIG. 32

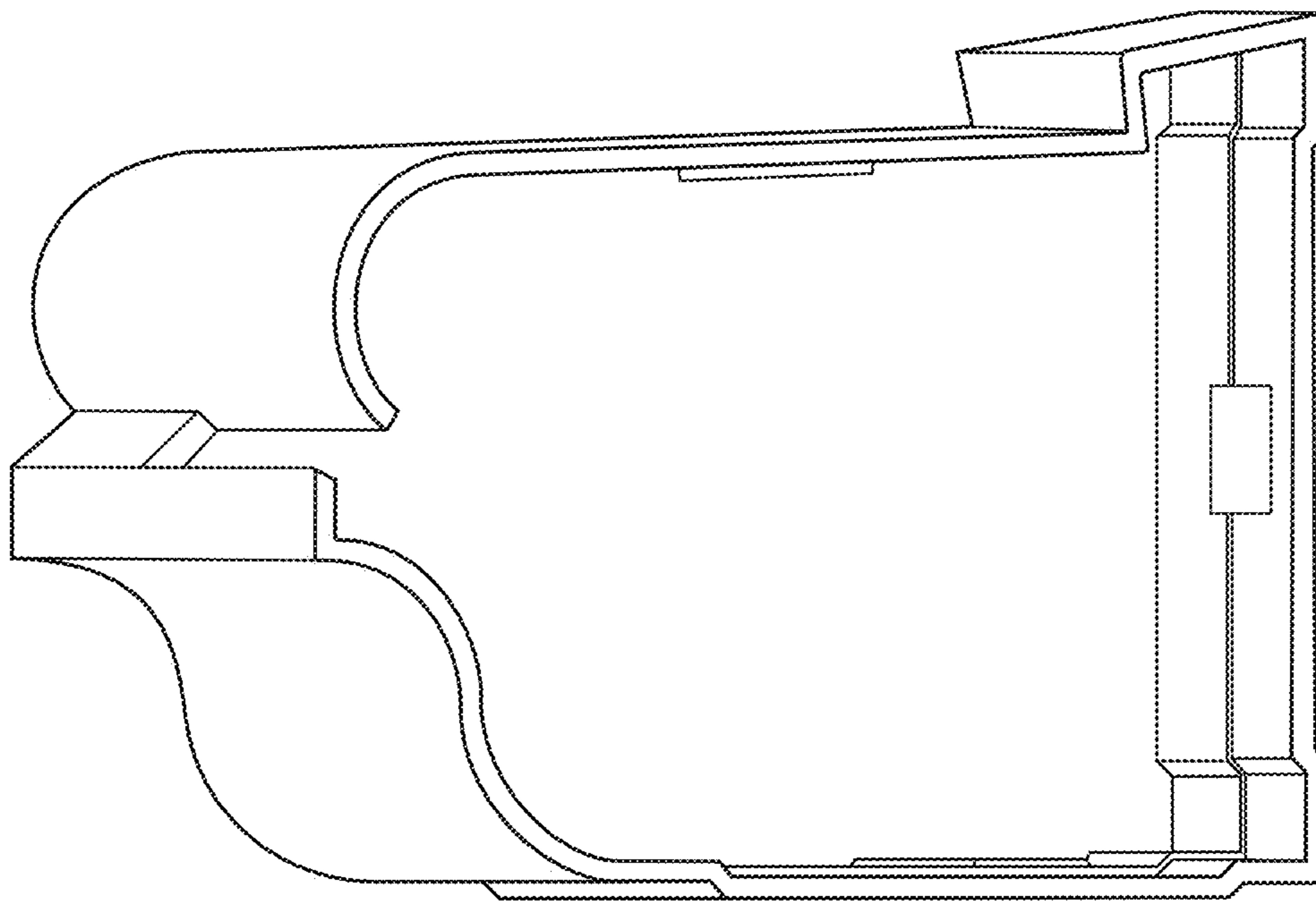


FIG. 33

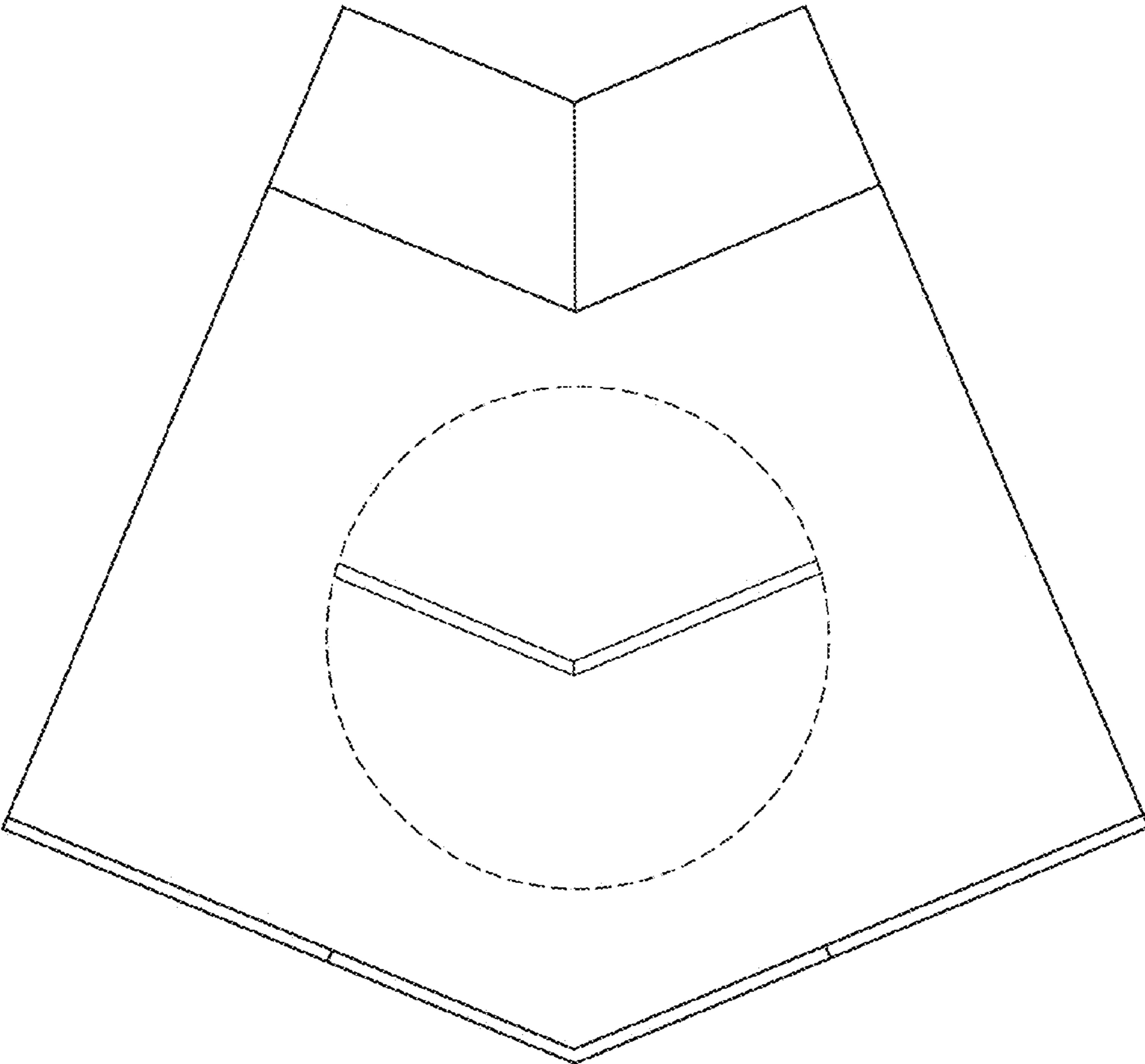


FIG. 34

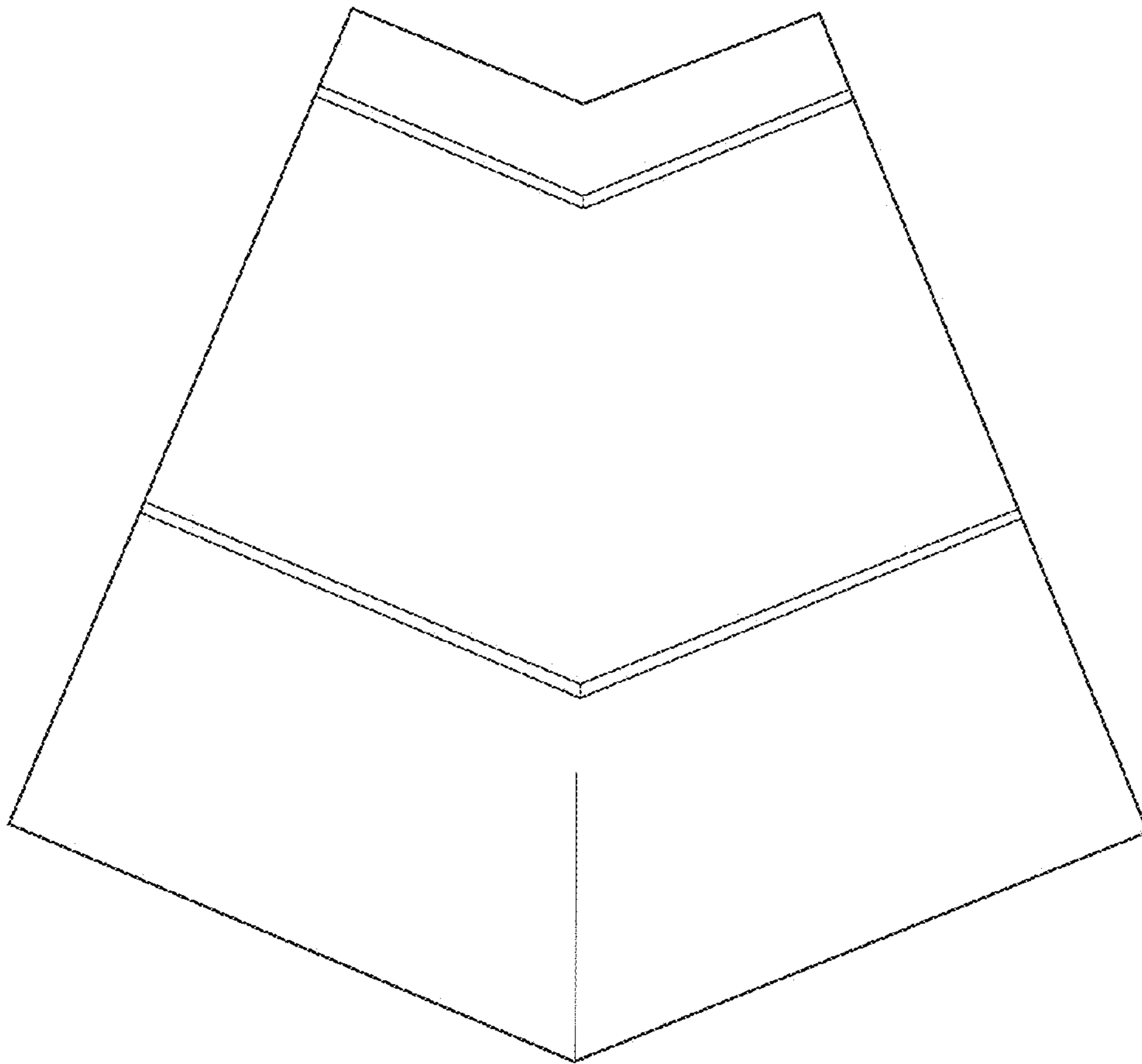


FIG. 35

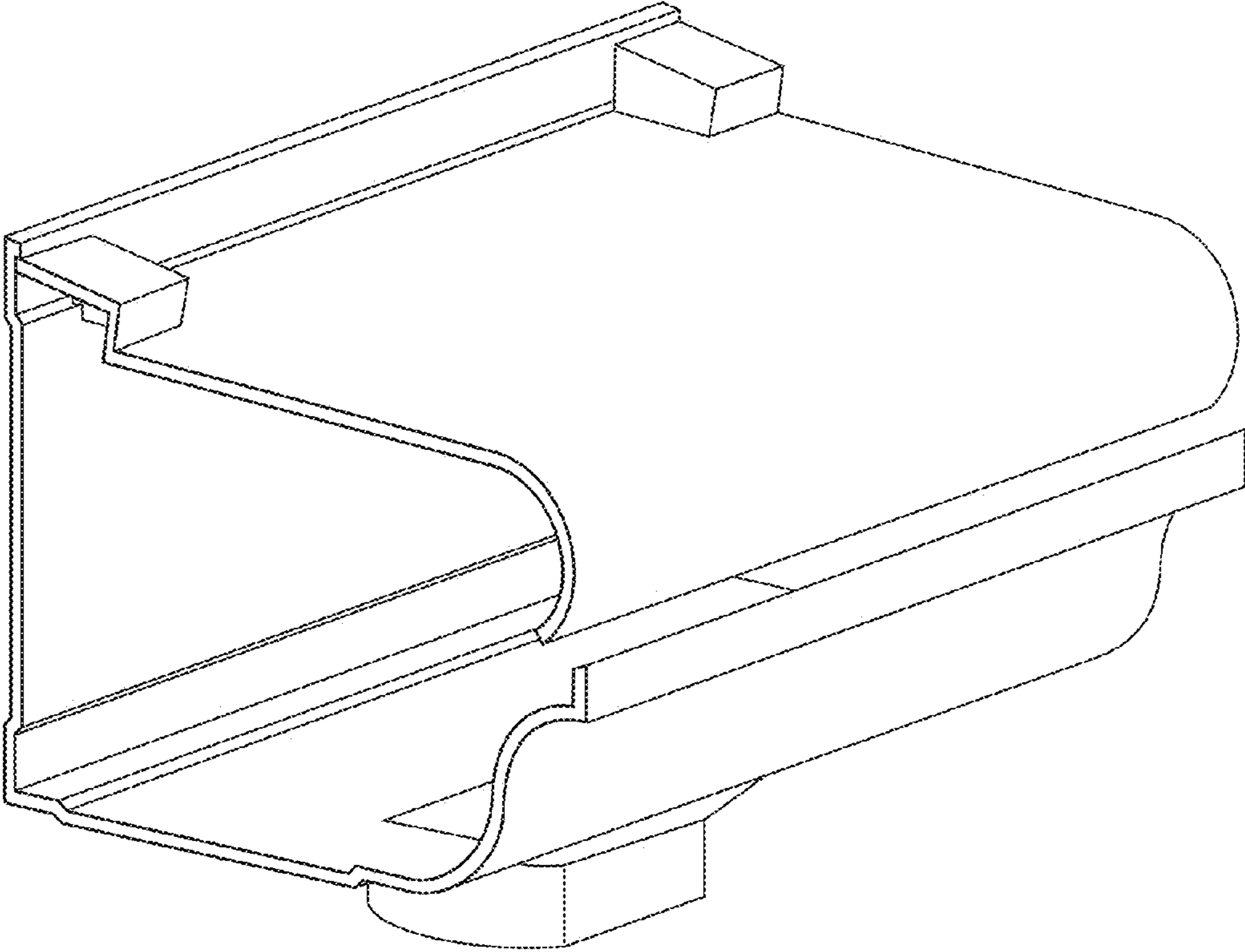


FIG. 36

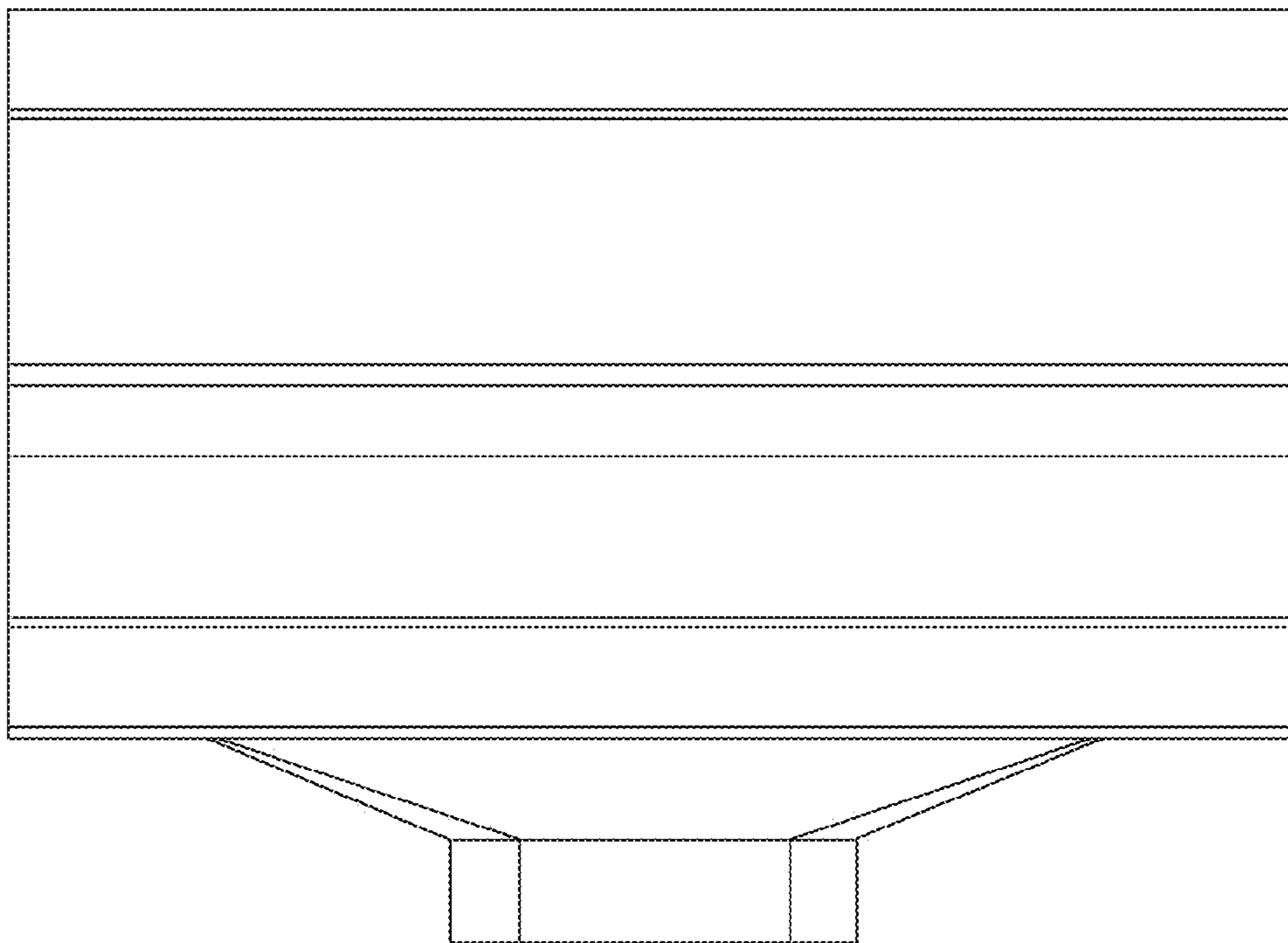


FIG. 37

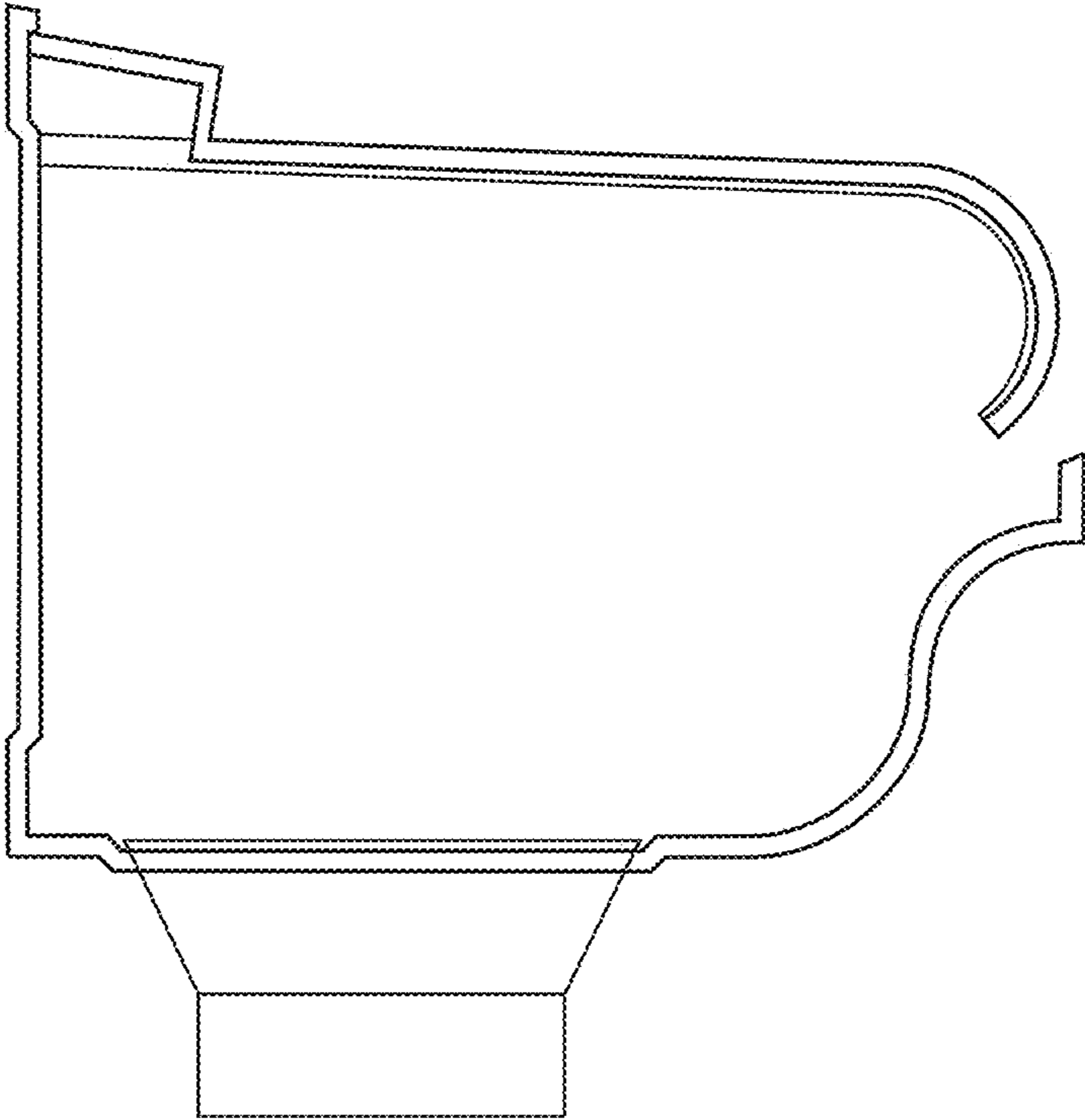


FIG. 38

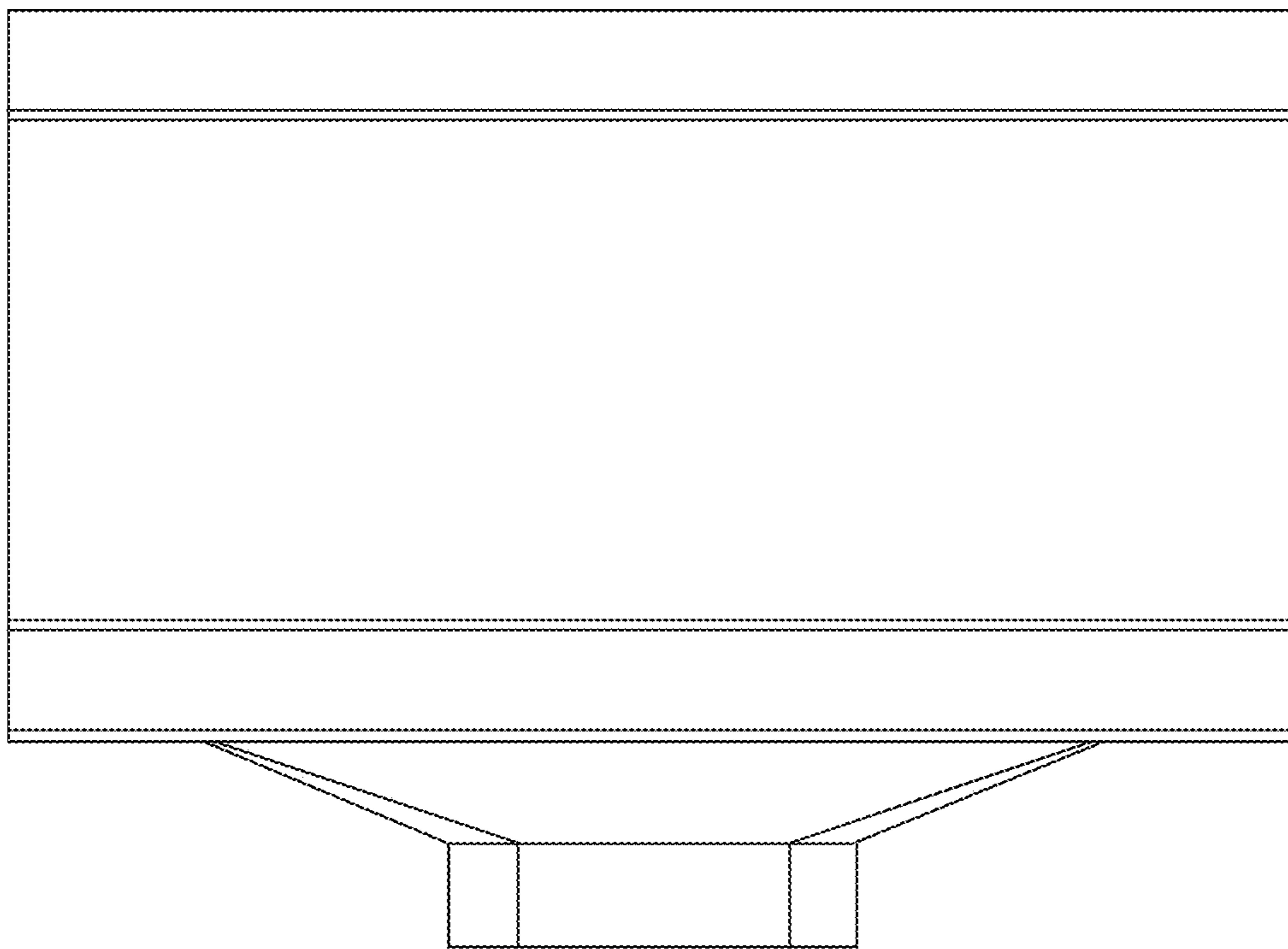


FIG. 39

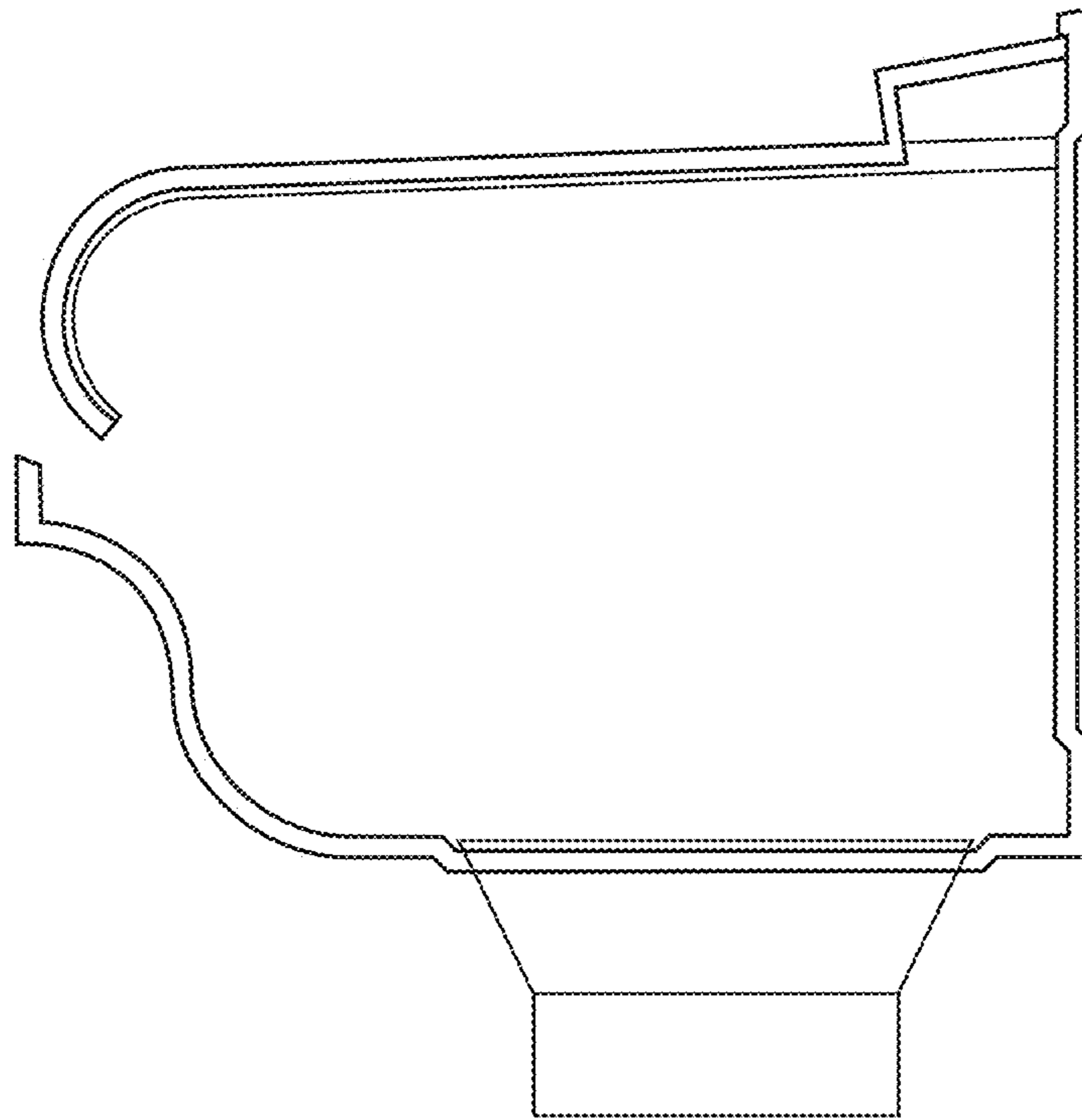


FIG. 40

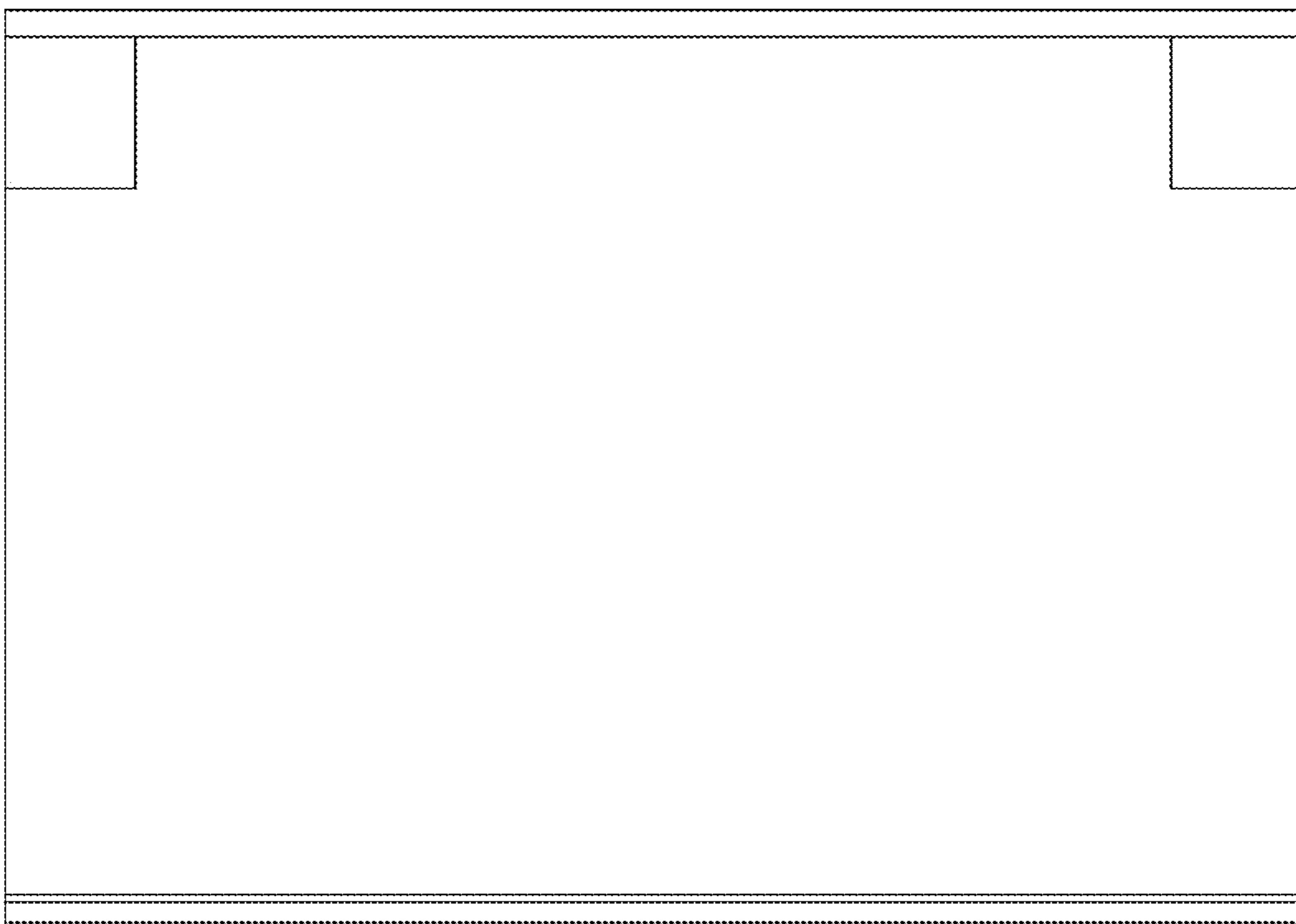


FIG. 41

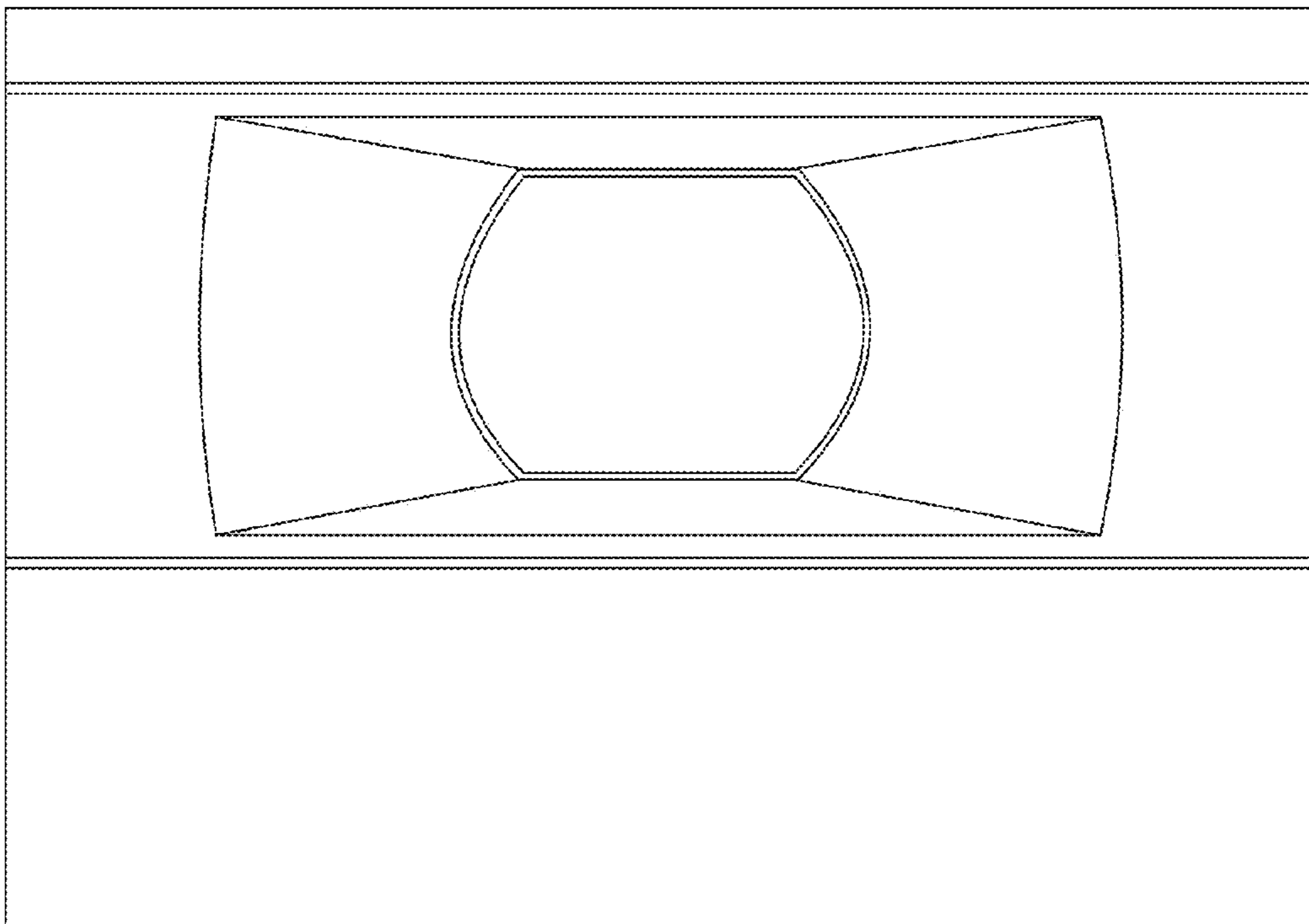


FIG. 42