



US00D718846S

(12) **United States Design Patent**
Koskie

(10) **Patent No.:** **US D718,846 S**

(45) **Date of Patent:** **** Dec. 2, 2014**

(54) **HOSE END PROTECTOR**

(76) Inventor: **Kevin John Koskie**, Green Bay, WI
(US)

(**) Term: **14 Years**

(21) Appl. No.: **29/406,232**

(22) Filed: **Nov. 10, 2011**

(51) **LOC (10) Cl.** **23-01**

(52) **U.S. Cl.**
USPC **D23/262**

(58) **Field of Classification Search**
USPC D23/229, 262, 266; 285/45, 116;
138/110, 113
See application file for complete search history.

(56) **References Cited**

U.S. PATENT DOCUMENTS

2,166,448	A *	7/1939	Schuknecht et al.	285/116
2,172,130	A *	9/1939	Powell	138/110
2,236,802	A *	4/1941	McDonald	138/113
5,367,925	A *	11/1994	Gasparre	81/121.1
D356,858	S *	3/1995	Folkman	D23/266
D391,349	S *	2/1998	Chih	D23/229
D409,729	S *	5/1999	Dreyfus et al.	D23/266
6,152,185	A *	11/2000	Tucker	138/110

D475,126	S *	5/2003	Bonne	D23/266
D616,969	S *	6/2010	Zore	D23/262
2012/0126531	A1 *	5/2012	Koskie	285/45

* cited by examiner

Primary Examiner — Eric Goodman
(74) *Attorney, Agent, or Firm* — Boardman & Clark LLP

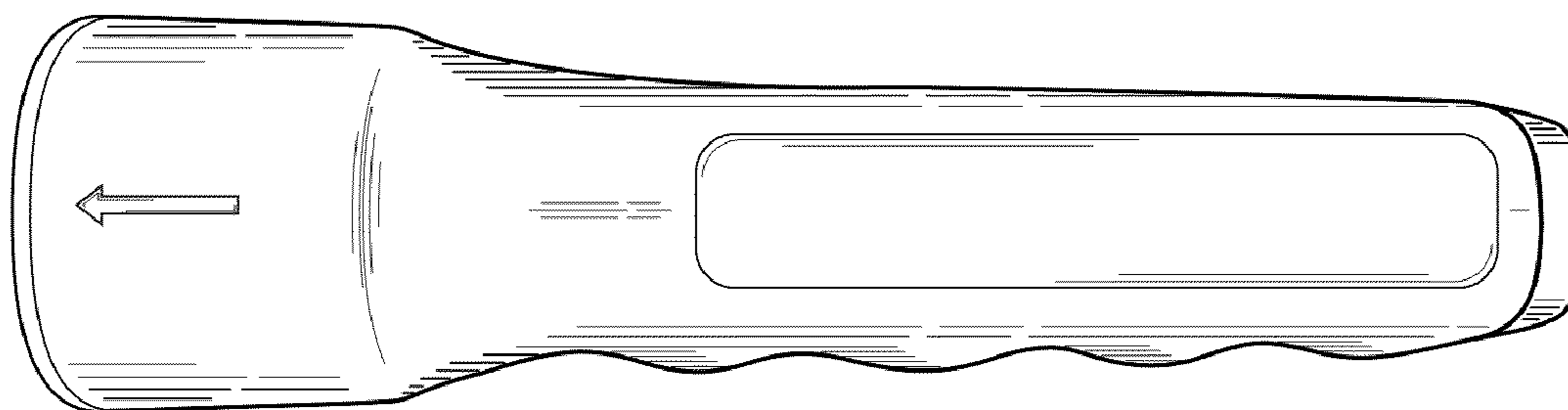
(57) **CLAIM**

The ornamental design for a hose end protector, as shown and described.

DESCRIPTION

FIG. 1 is a first side view of an ornamental hose end protector showing my new design;
FIG. 2 is a second side view thereof;
FIG. 3 is a third side view thereof;
FIG. 4 is a front view thereof;
FIG. 5 is a rear view thereof;
FIG. 6 is a top, front and side perspective view thereof; and,
FIG. 7 is a top, rear and side perspective view thereof.
The broken lines (if any) are provided for illustrative purposes only and form no part of the claimed design. The claimed design is directed to one or more edges of the garden hose protector, and not to any hole or interior surface thereof. Further, the portions of the garden hose protector that are not shown in the drawings do not form any part of the claimed design.

1 Claim, 7 Drawing Sheets



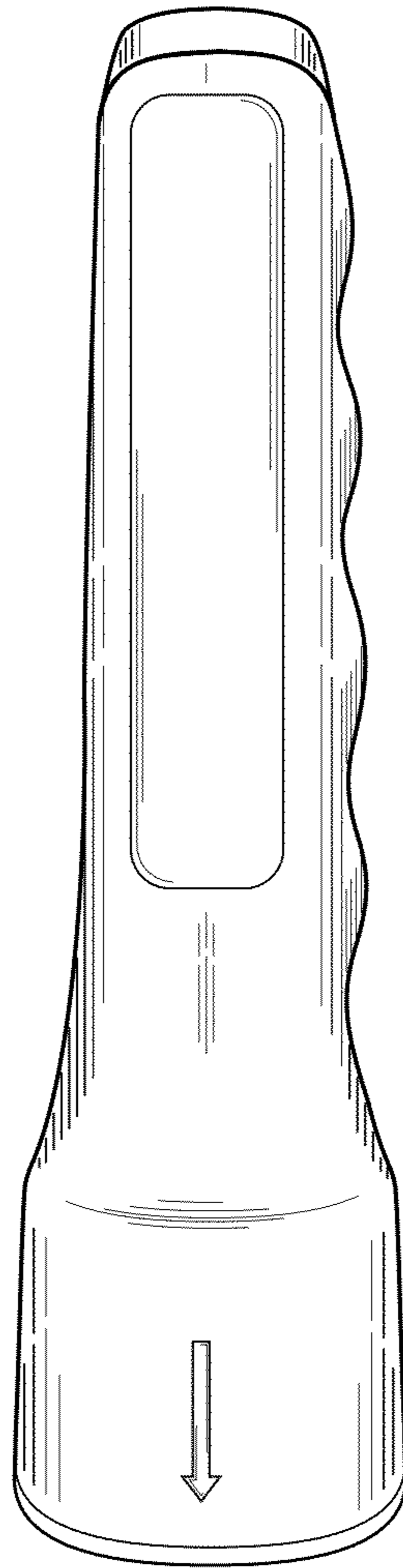


FIG. 1

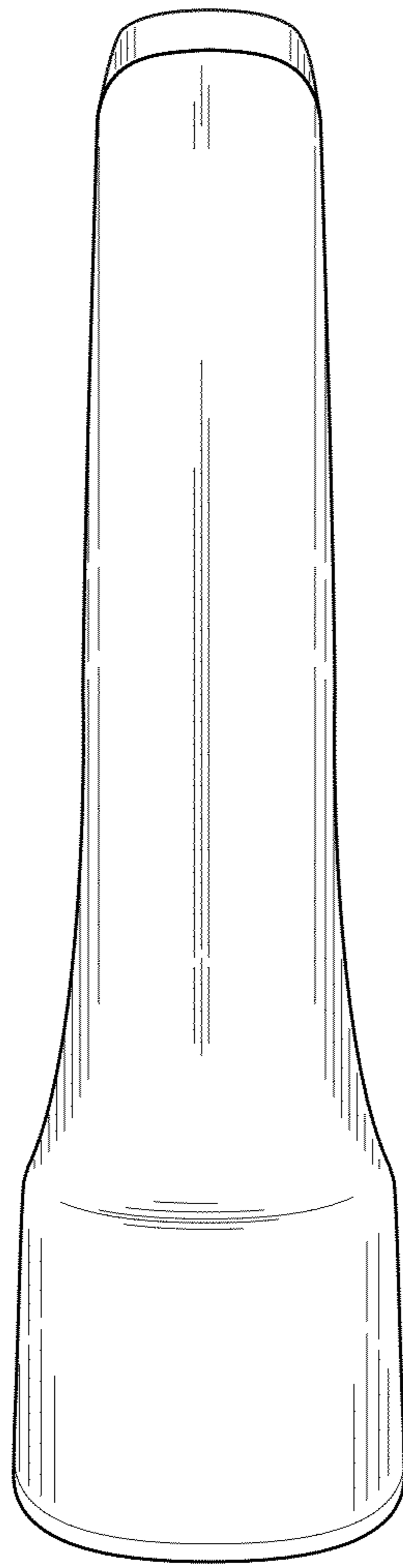


FIG. 2

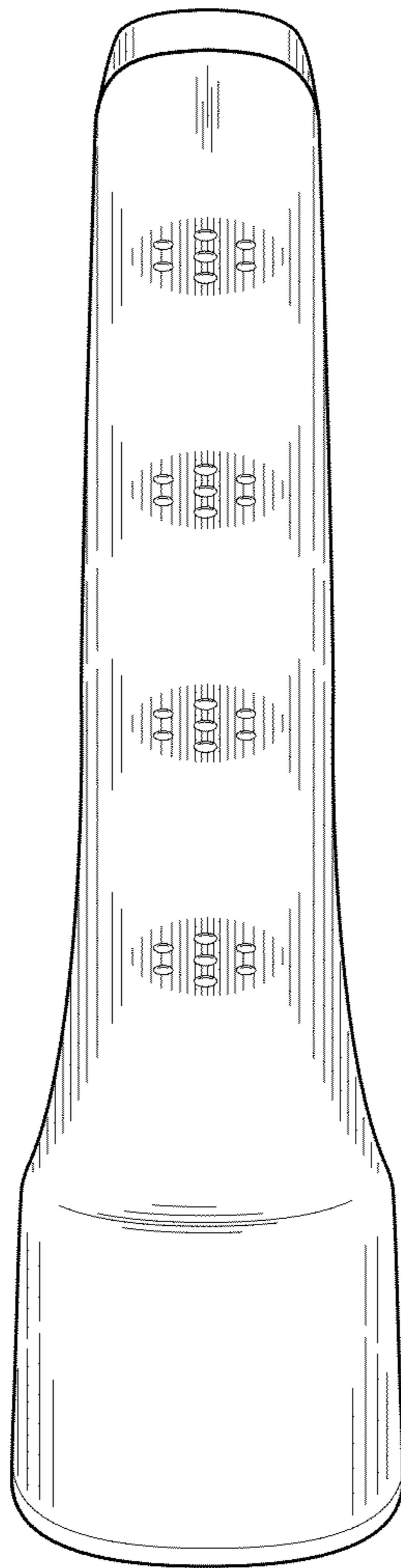


FIG. 3

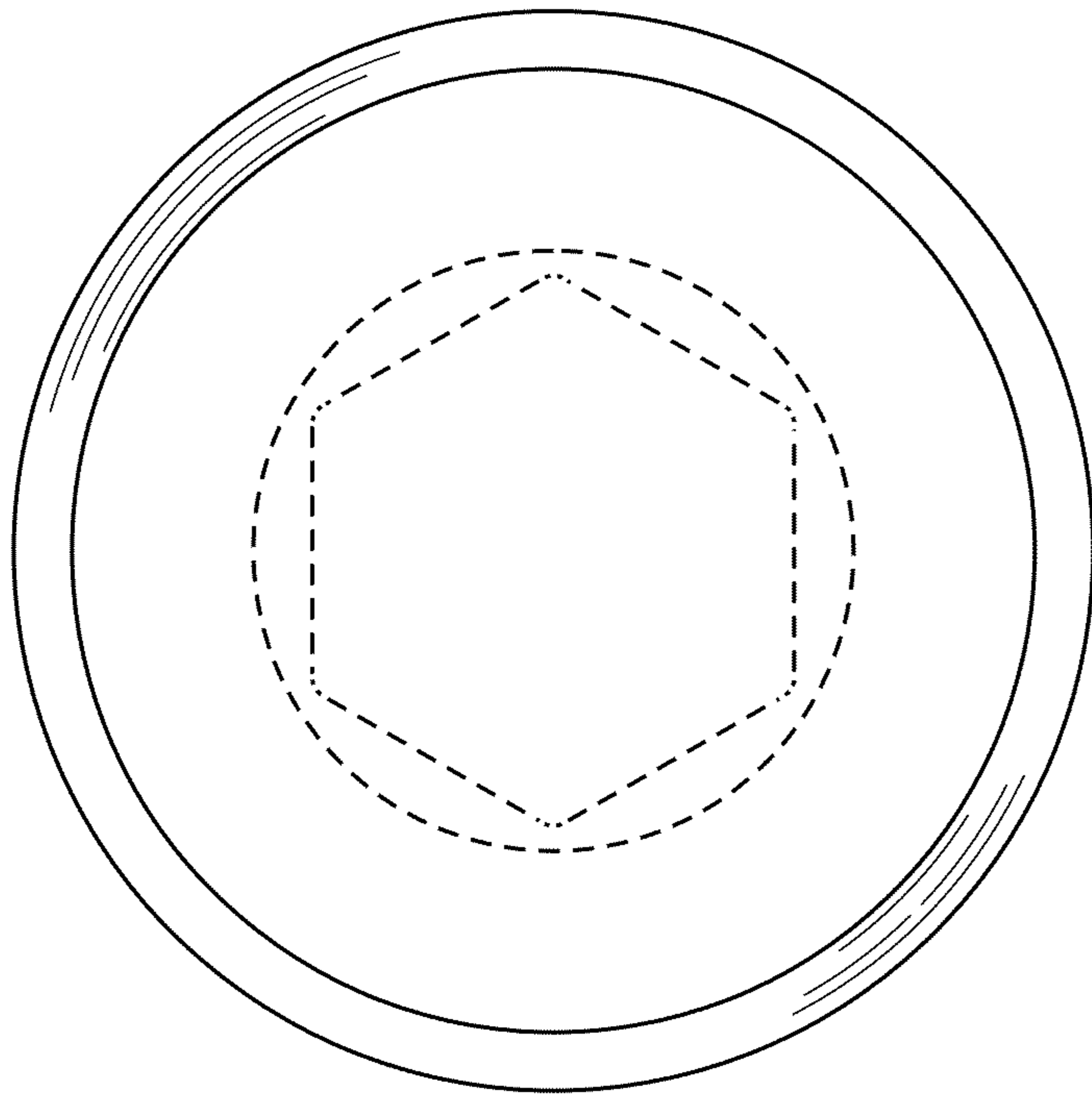


FIG. 4

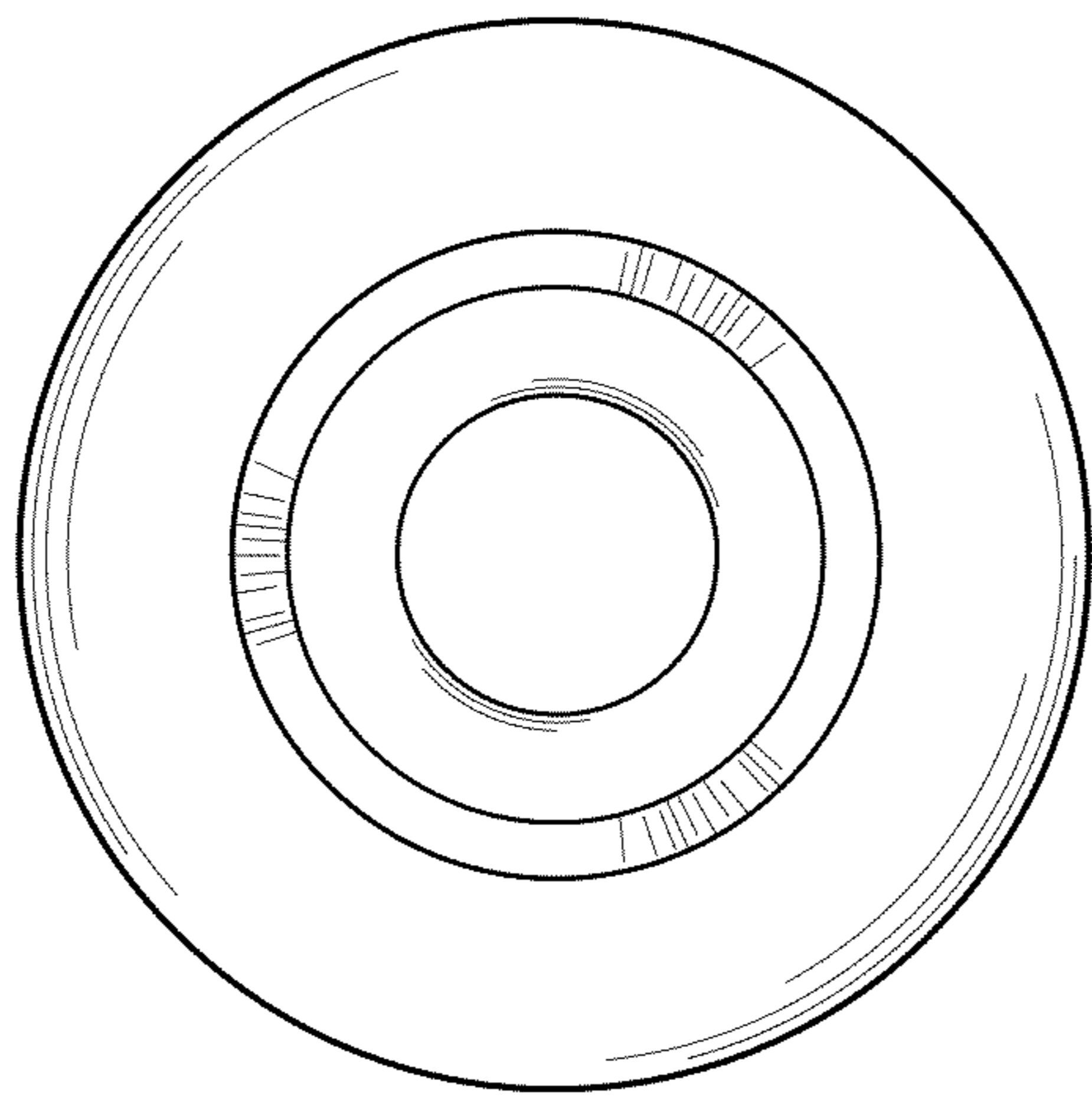


FIG. 5

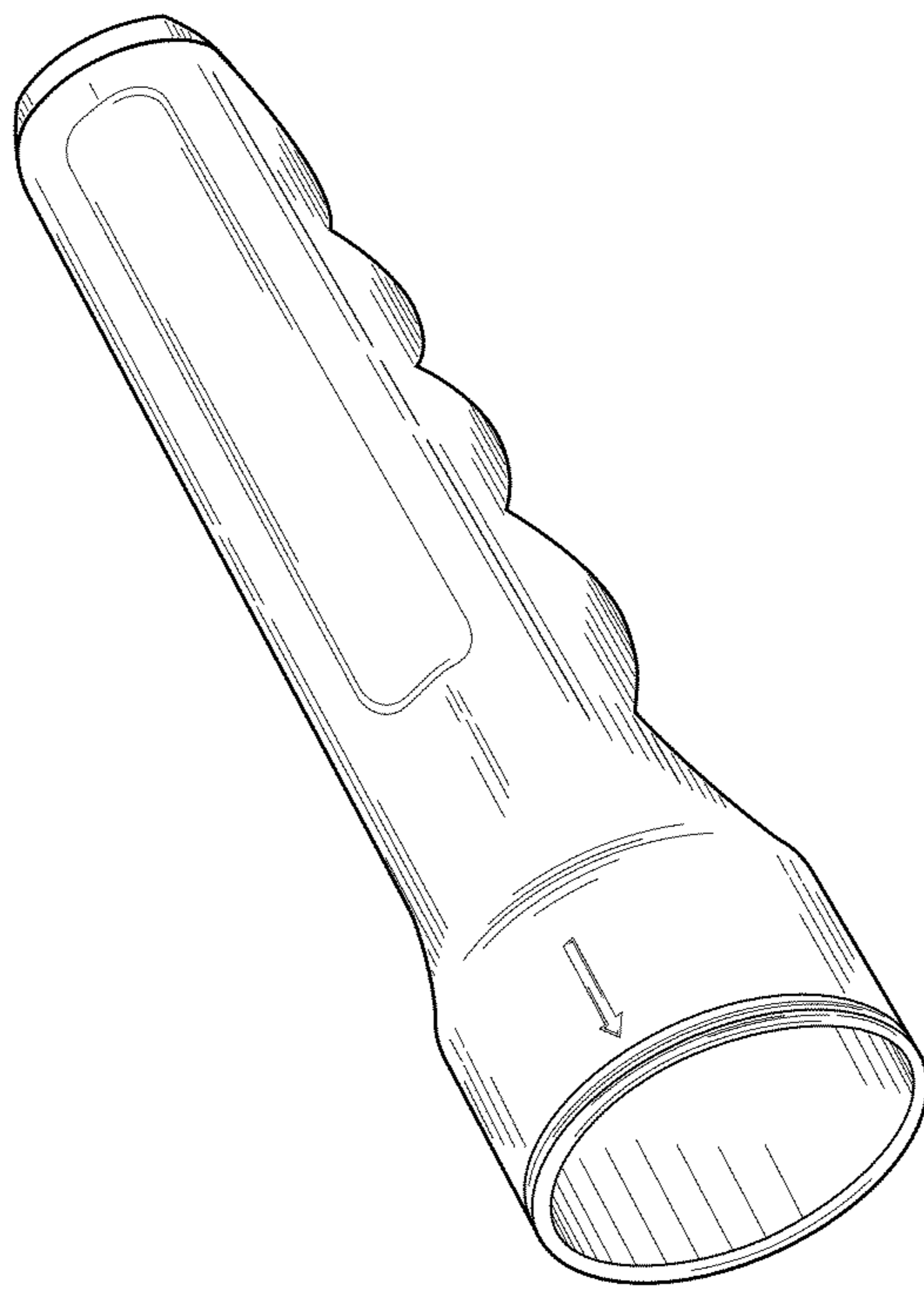


FIGURE 6

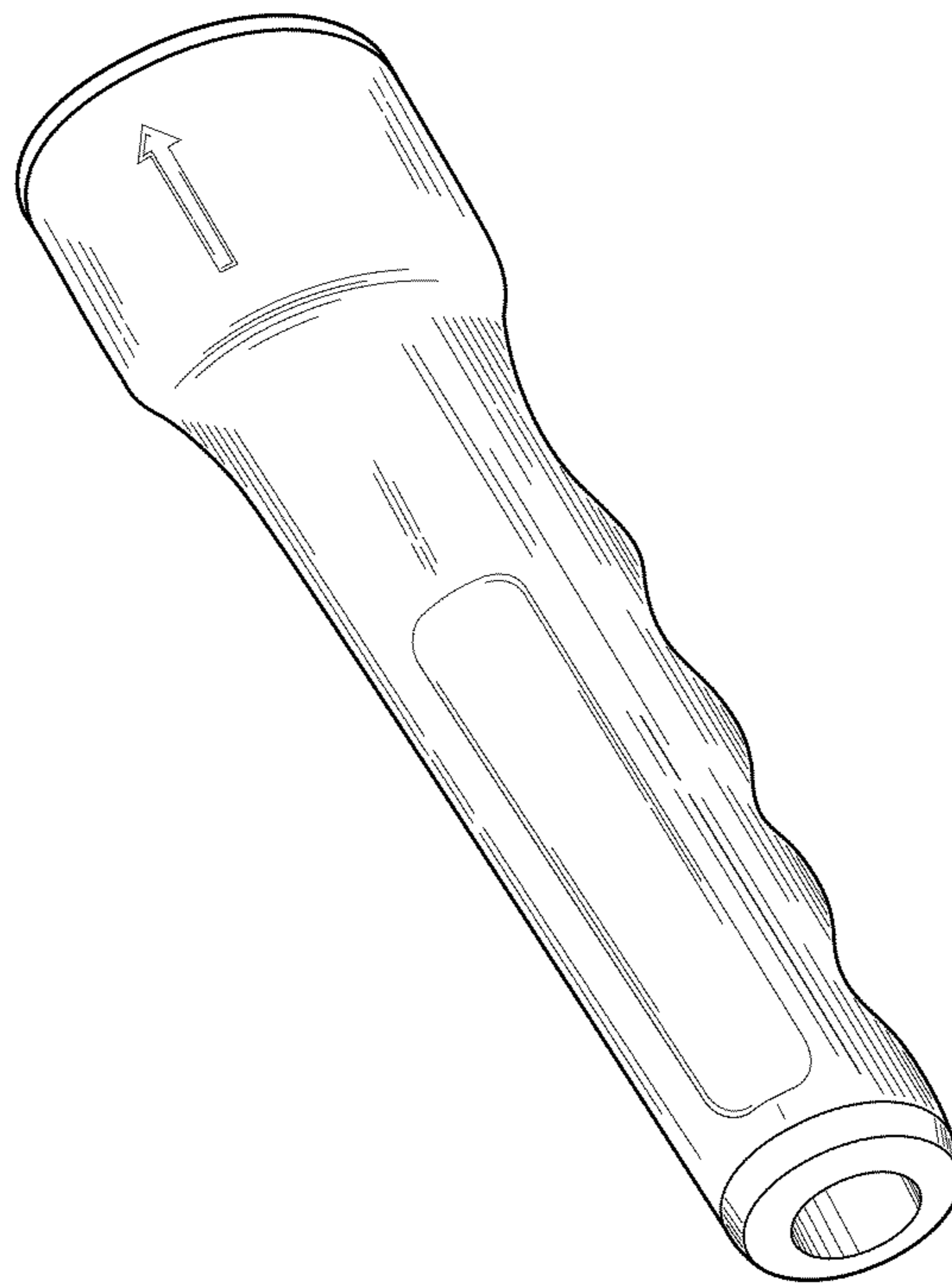


FIG. 7