



US00D718845S

(12) **United States Design Patent**
Johansen

(10) **Patent No.:** **US D718,845 S**
(45) **Date of Patent:** **** Dec. 2, 2014**

- (54) **DRAIN GRATING**
- (71) Applicant: **Blucher Metal A/S, Vildbjerg (DK)**
- (72) Inventor: **Per Thanning Johansen, Silkeborg (DK)**
- (73) Assignee: **Blucher Metal A/S, Vildbjerg (DK)**
- (**) Term: **14 Years**
- (21) Appl. No.: **29/466,798**
- (22) Filed: **Sep. 11, 2013**

4,952,094	A *	8/1990	Spiess et al.	405/36
D374,727	S *	10/1996	Emanuele et al.	D25/152
D594,263	S *	6/2009	Robbins, III	D6/582
D657,858	S *	4/2012	Platt	D23/365
8,292,541	B2 *	10/2012	Akkala	405/43
D687,132	S *	7/2013	Snelling	D23/261
2004/0112811	A1 *	6/2004	Lindemulder	210/163

- (30) **Foreign Application Priority Data**
- Mar. 11, 2013 (EM) 002199984
- (51) **LOC (10) Cl.** **23-01**
- (52) **U.S. Cl.**
- USPC **D23/261**
- (58) **Field of Classification Search**
- USPC D23/259, 260, 261, 262, 263, 264, 265,
D23/365; D25/149, 150, 151, 152, 153,
D25/154, 155, 156, 157, 158, 159; D7/332;
210/162, 163, 164, 165, 166; 404/2, 3,
404/4; 4/286, 287
- See application file for complete search history.

OTHER PUBLICATIONS

Hygienic Channel, News Archive, blucher.com, Searched Sep. 10, 2014, http://www.blucher.com/news-archive/singleview/article/see-the-new-hygienic-channel-at-drinktec/?no_cache=1&cHash=0909268fe416830333f1e2808a3d2f9a.*

U.S. Appl. No. 29/466,795, filed Sep. 11, 2013, Johansen.
U.S. Appl. No. 29/466,799, filed Sep. 11, 2013, Johansen.

- (56) **References Cited**
- U.S. PATENT DOCUMENTS**
- 2,365,933 A * 12/1944 Binder 126/168
- 2,701,027 A * 2/1955 Scoville 210/163
- 3,304,685 A * 2/1967 Whetstone 52/670
- D244,854 S * 6/1977 Salamone D23/261
- 4,273,466 A * 6/1981 Trahan et al. 404/4
- D270,292 S * 8/1983 Johnson D25/156

* cited by examiner

Primary Examiner — Eric Goodman
Assistant Examiner — Steven Czyz

(74) *Attorney, Agent, or Firm* — Sheridan Ross P.C.

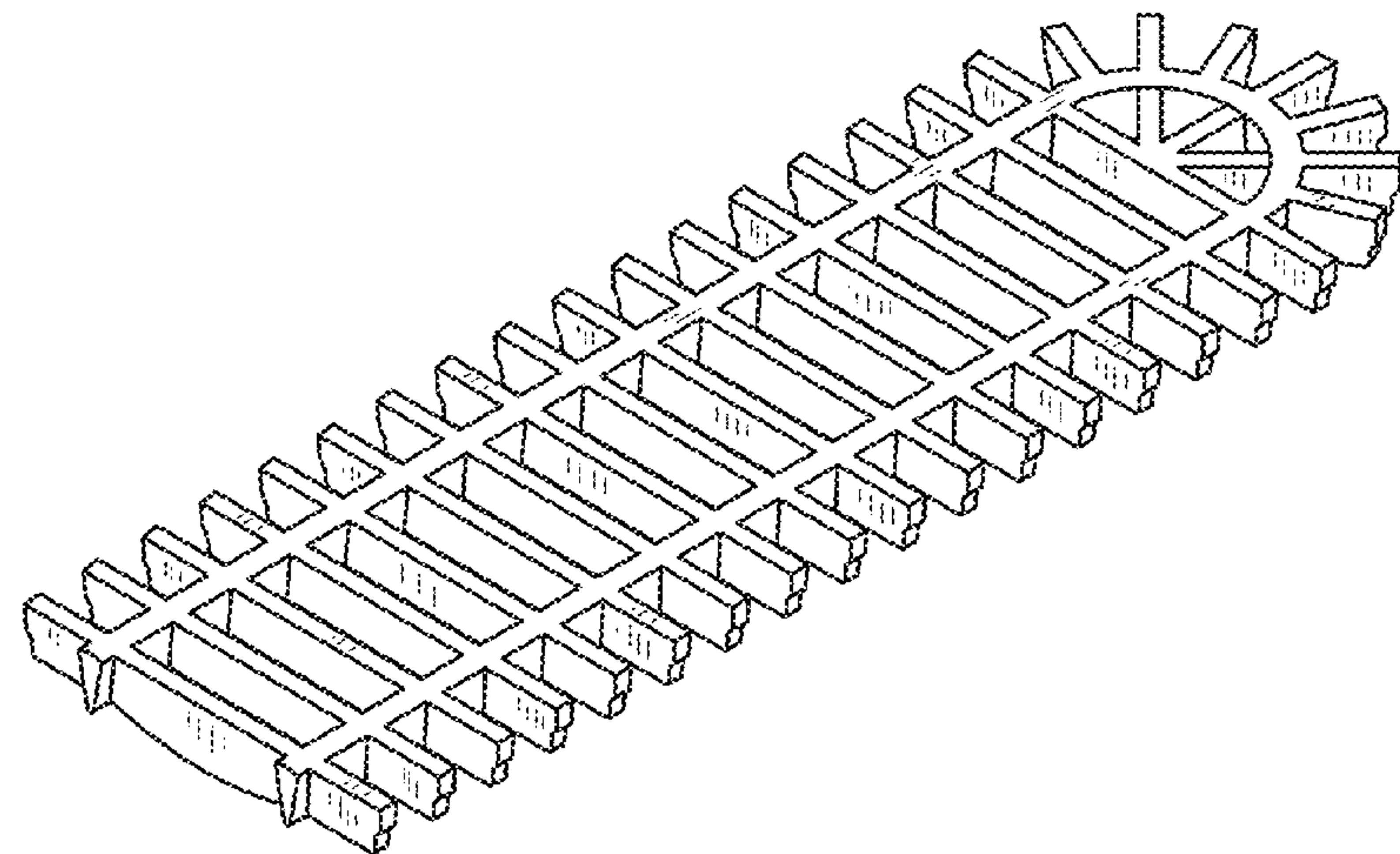
(57) **CLAIM**

The ornamental design for a drain grating, as shown and described.

DESCRIPTION

FIG. 1 is a perspective view of the drain grating;
FIG. 2 is a right side view of FIG. 1;
FIG. 3 is a left side view of FIG. 1;
FIG. 4 is a rear elevation view of FIG. 1;
FIG. 5 is a front elevation view of FIG. 1;
FIG. 6 is a top plan view of FIG. 1; and,
FIG. 7 is a bottom plan view of FIG. 1.

1 Claim, 3 Drawing Sheets



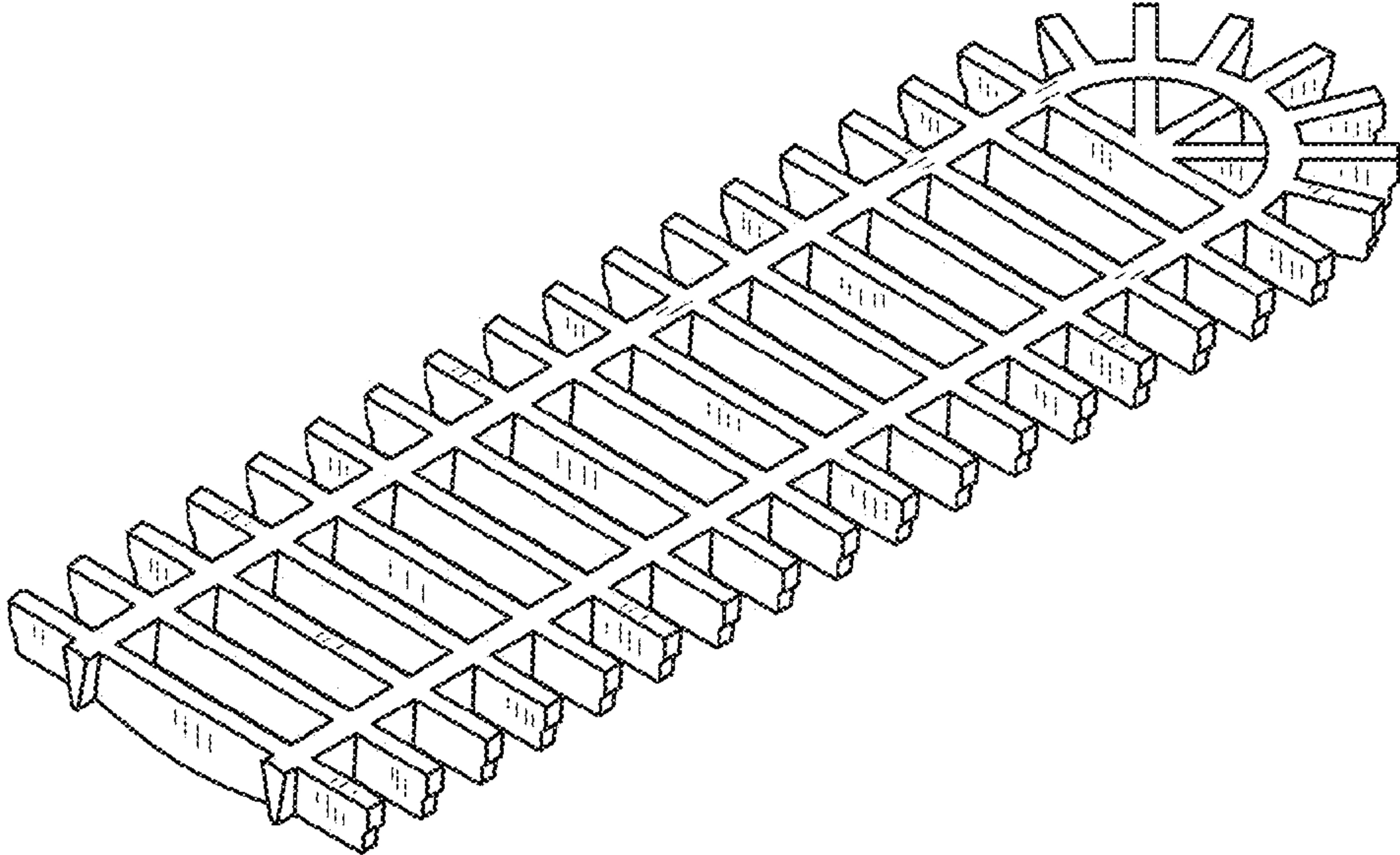


FIG.1

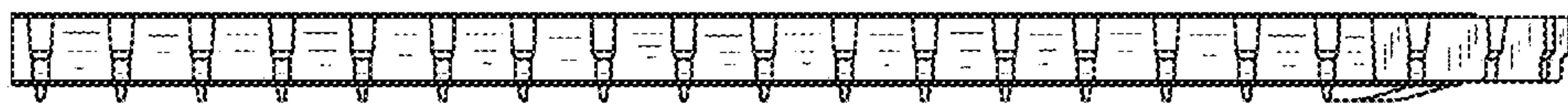


FIG. 2

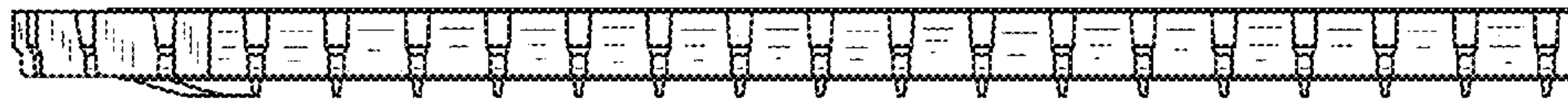


FIG. 3



FIG. 4

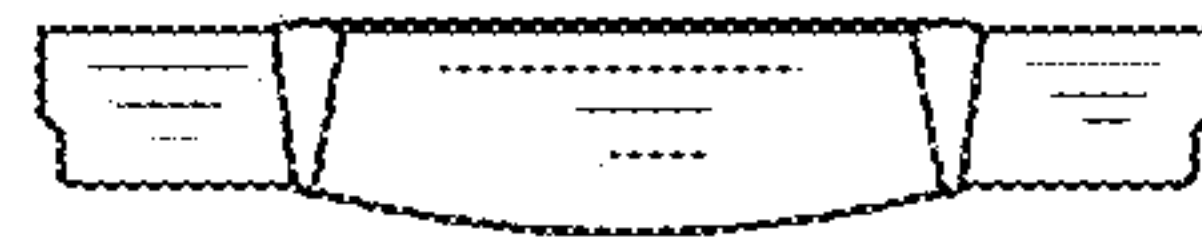


FIG. 5

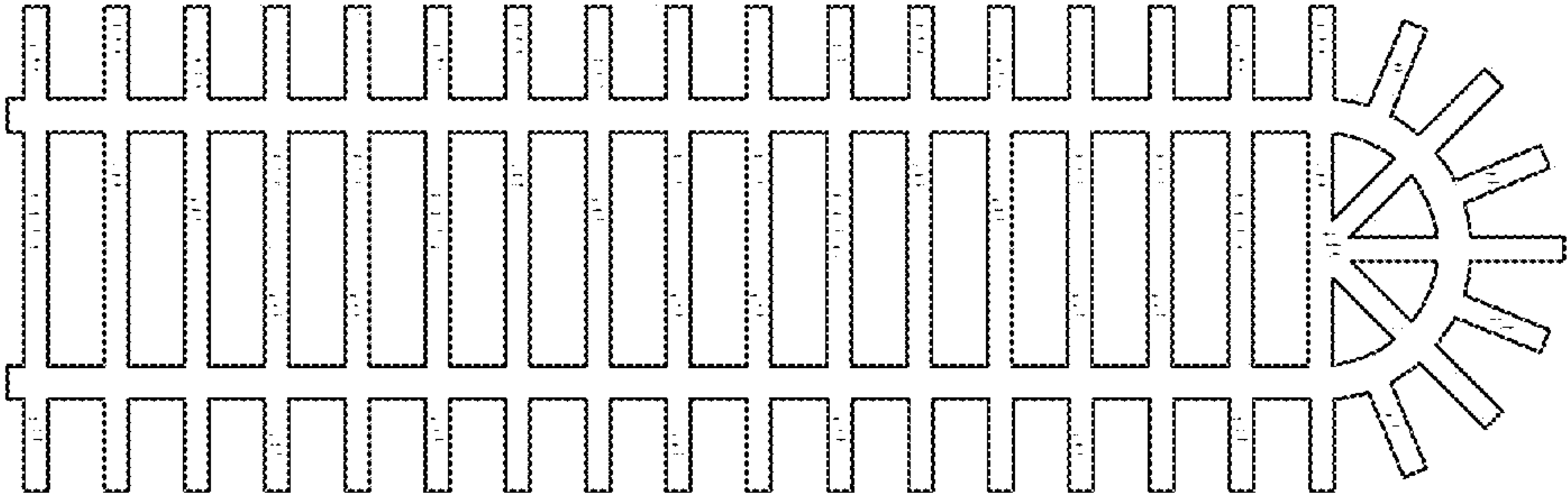


FIG. 6

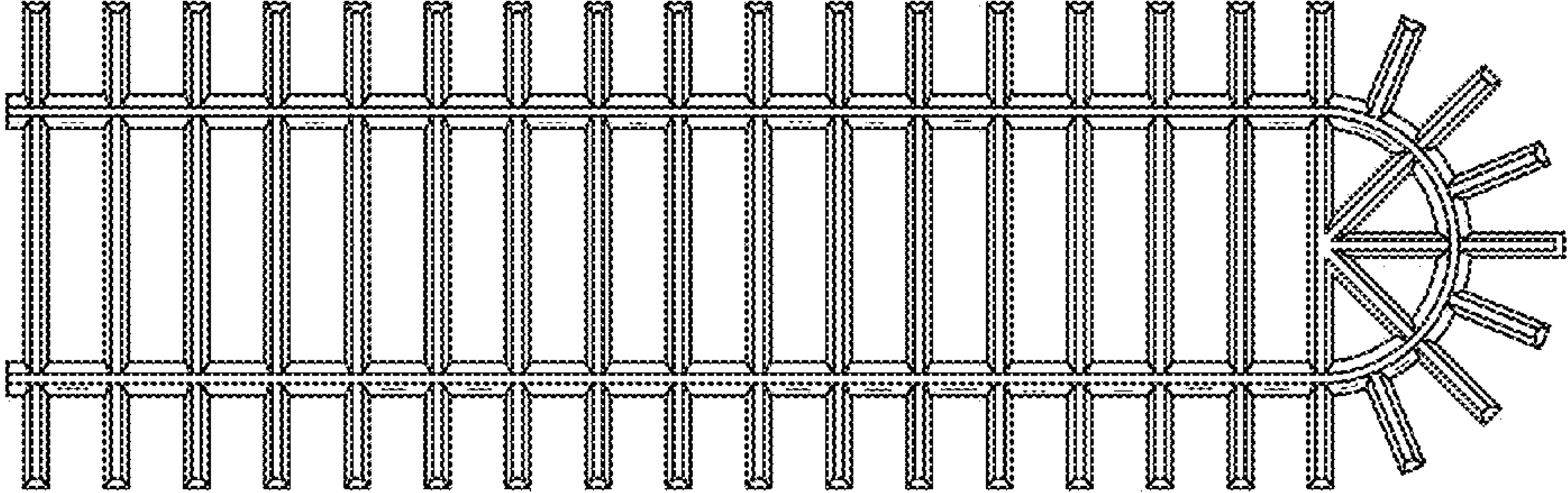


FIG. 7