



US00D718843S

(12) **United States Design Patent**  
**Garland**

(10) **Patent No.:** **US D718,843 S**  
(45) **Date of Patent:** **\*\* Dec. 2, 2014**

(54) **FAUCET SPOUT**

(71) Applicant: **Masco Corporation of Indiana,**  
Indianapolis, IN (US)

(72) Inventor: **Celine Kwok Garland,** Zionsville, IN  
(US)

(73) Assignee: **Masco Corporation of Indiana,**  
Indianapolis, IN (US)

(\*\*) Term: **14 Years**

(21) Appl. No.: **29/488,860**

(22) Filed: **Apr. 24, 2014**

(51) **LOC (10) Cl.** ..... **23-01**

(52) **U.S. Cl.**  
USPC ..... **D23/255**

(58) **Field of Classification Search**  
USPC ..... D23/238, 240-243, 249, 255, 257;  
4/675-678; 137/801

See application file for complete search history.

(56) **References Cited**

U.S. PATENT DOCUMENTS

D525,680 S *	7/2006	Schaffeld et al. ....	D23/255
D664,629 S *	7/2012	Tang .....	D23/238
D674,051 S *	1/2013	Uhl .....	D23/242
D708,709 S *	7/2014	Yu .....	D23/238

\* cited by examiner

*Primary Examiner* — Robert Delehanty

(74) *Attorney, Agent, or Firm* — Edgar A. Zarins; Nirav D. Parikh

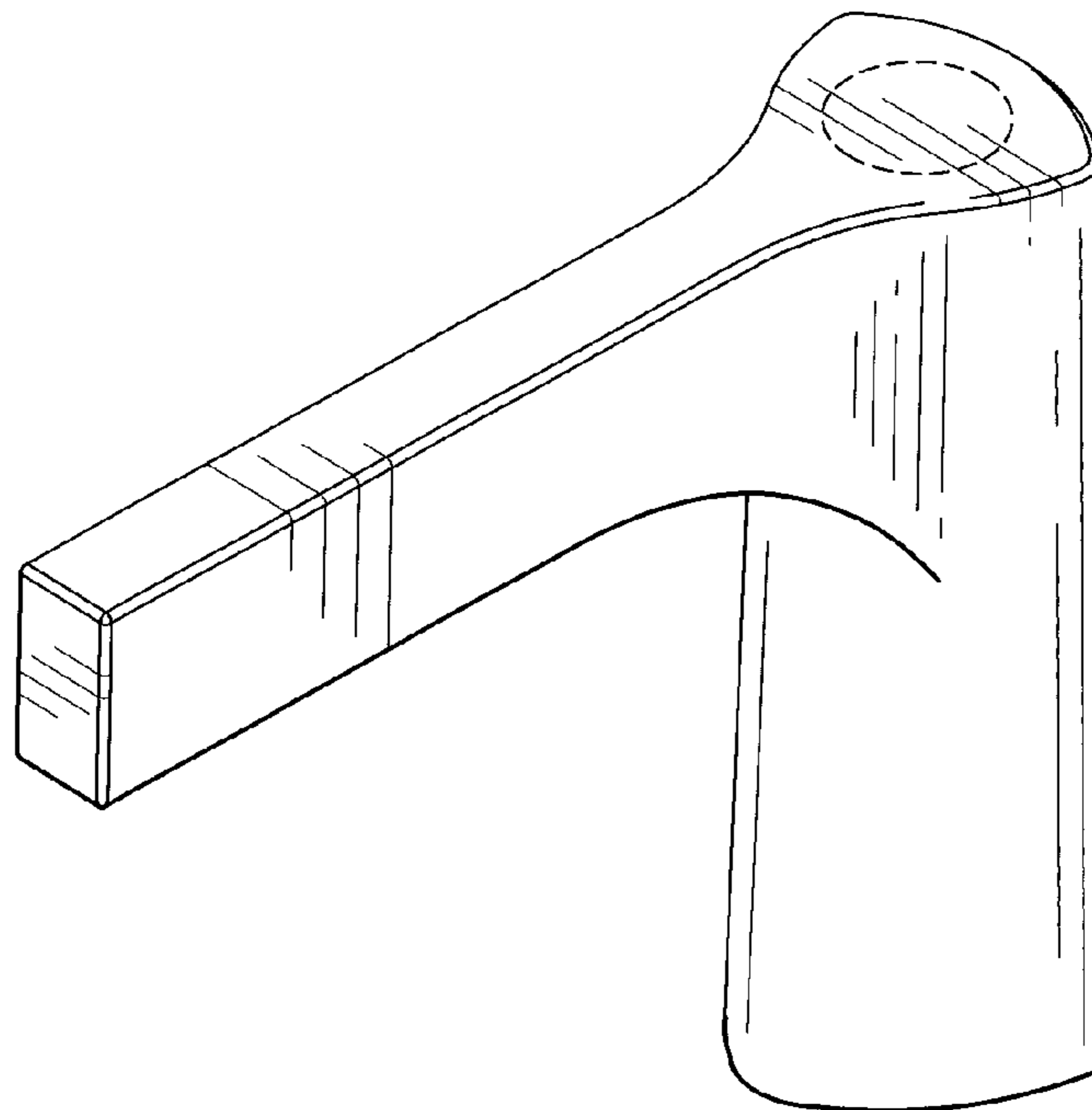
(57) **CLAIM**

The ornamental design for a faucet spout, as shown and described.

**DESCRIPTION**

FIG. 1 is a perspective view of a faucet spout showing my new design;  
FIG. 2 is a right side view thereof, the opposite side being a mirror image of the side shown;  
FIG. 3 is a top plan view thereof;  
FIG. 4 is a bottom view thereof;  
FIG. 5 is a front elevational view thereof; and,  
FIG. 6 is a rear view thereof.

**1 Claim, 2 Drawing Sheets**



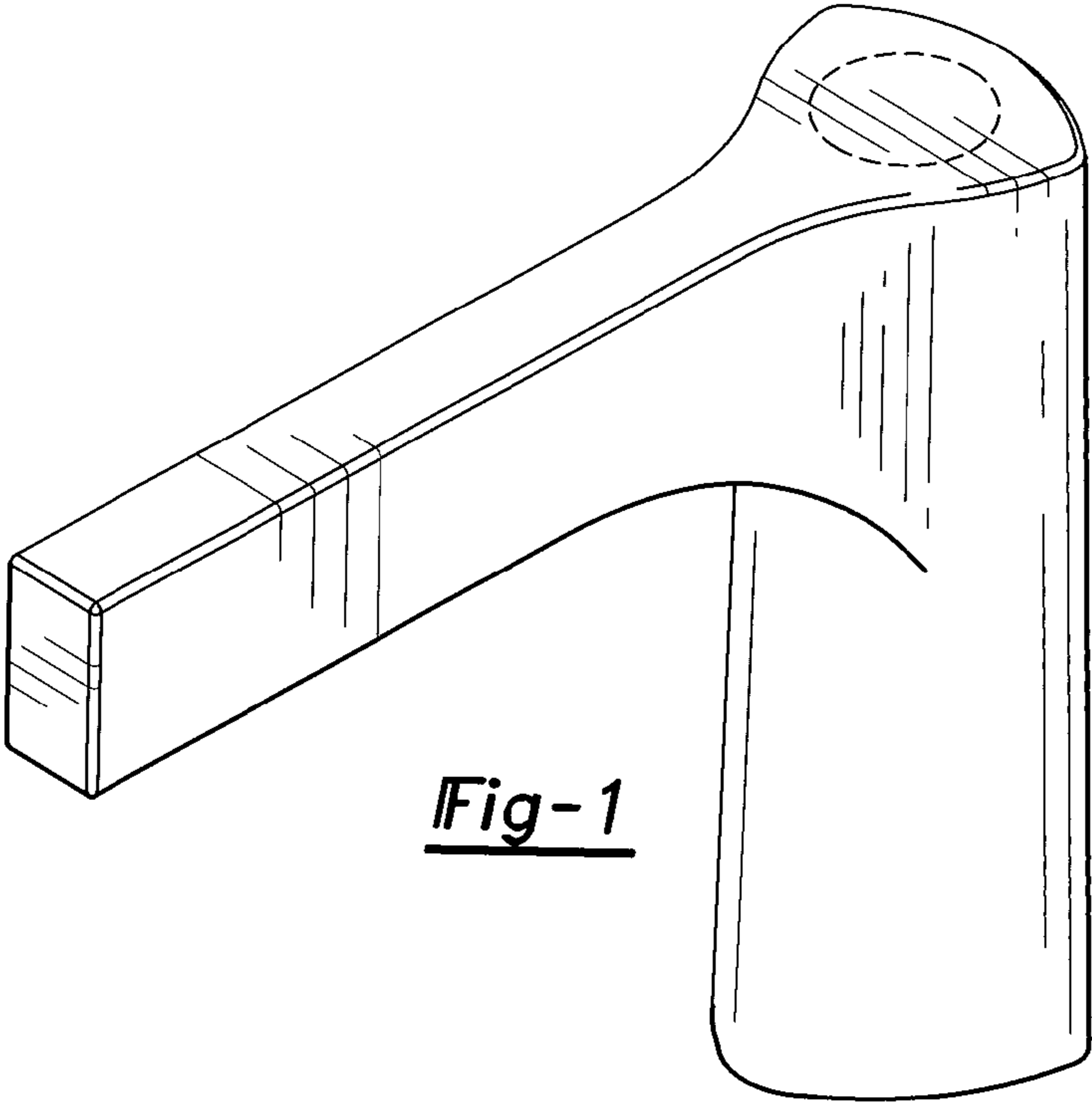


Fig-1

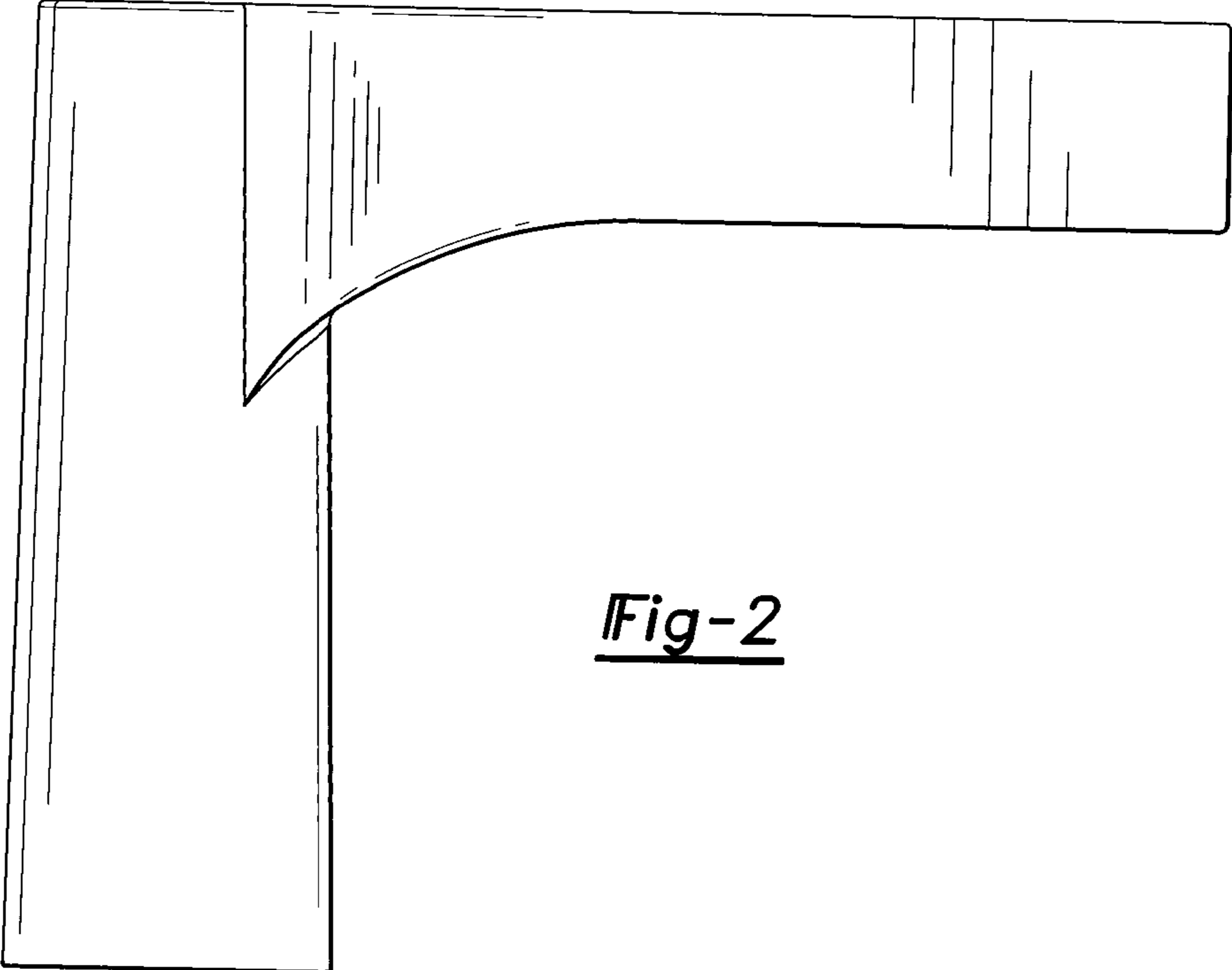


Fig-2

Fig-3

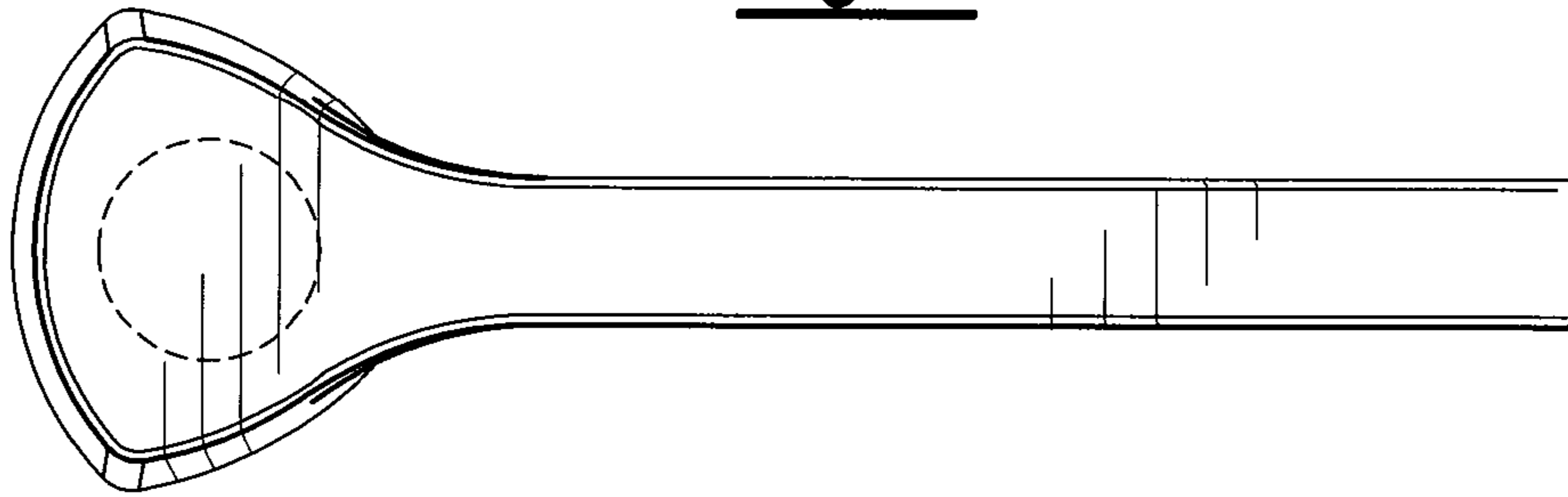


Fig-4

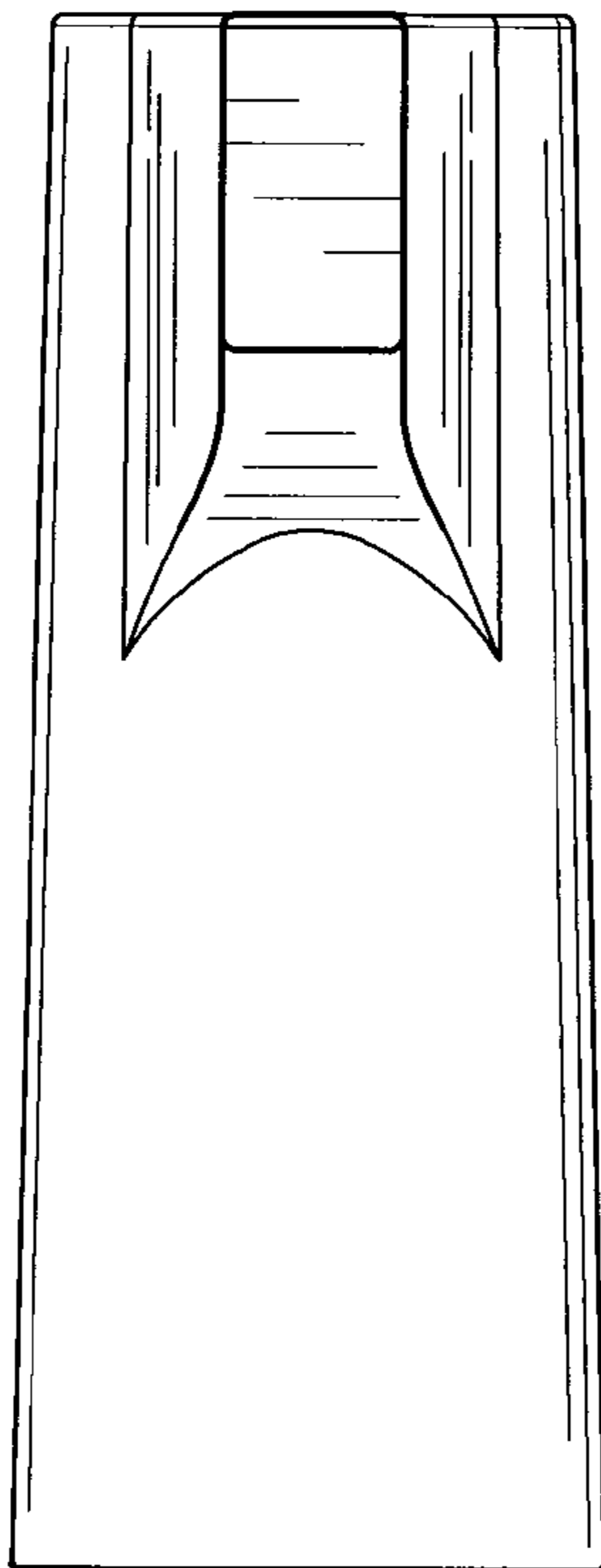
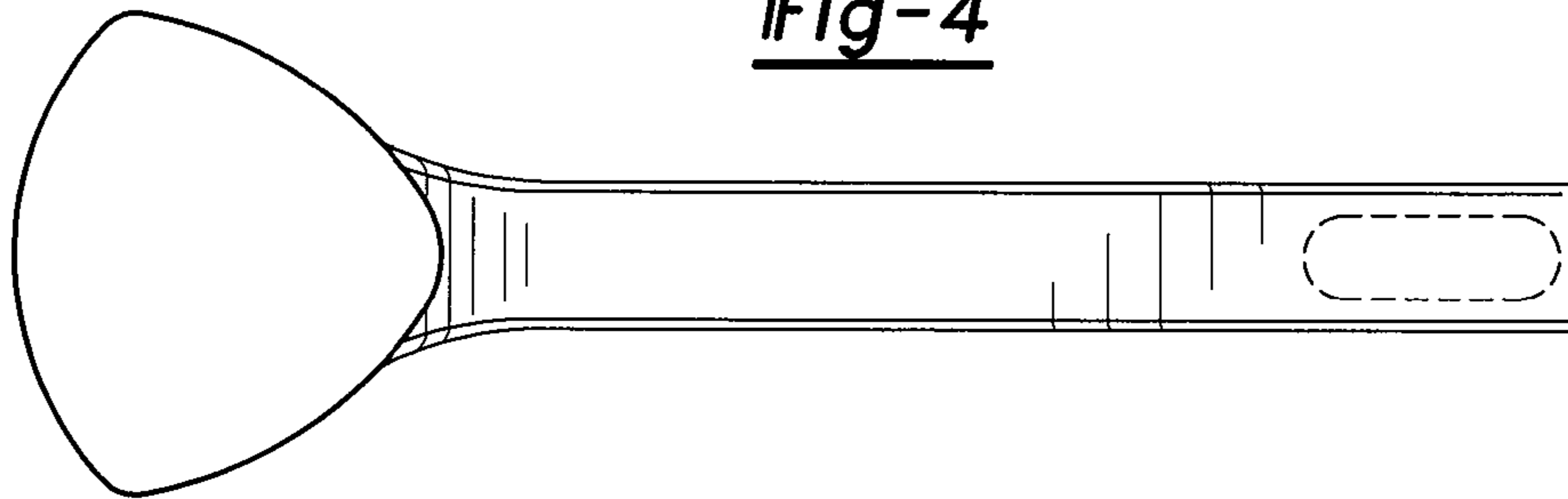


Fig-5

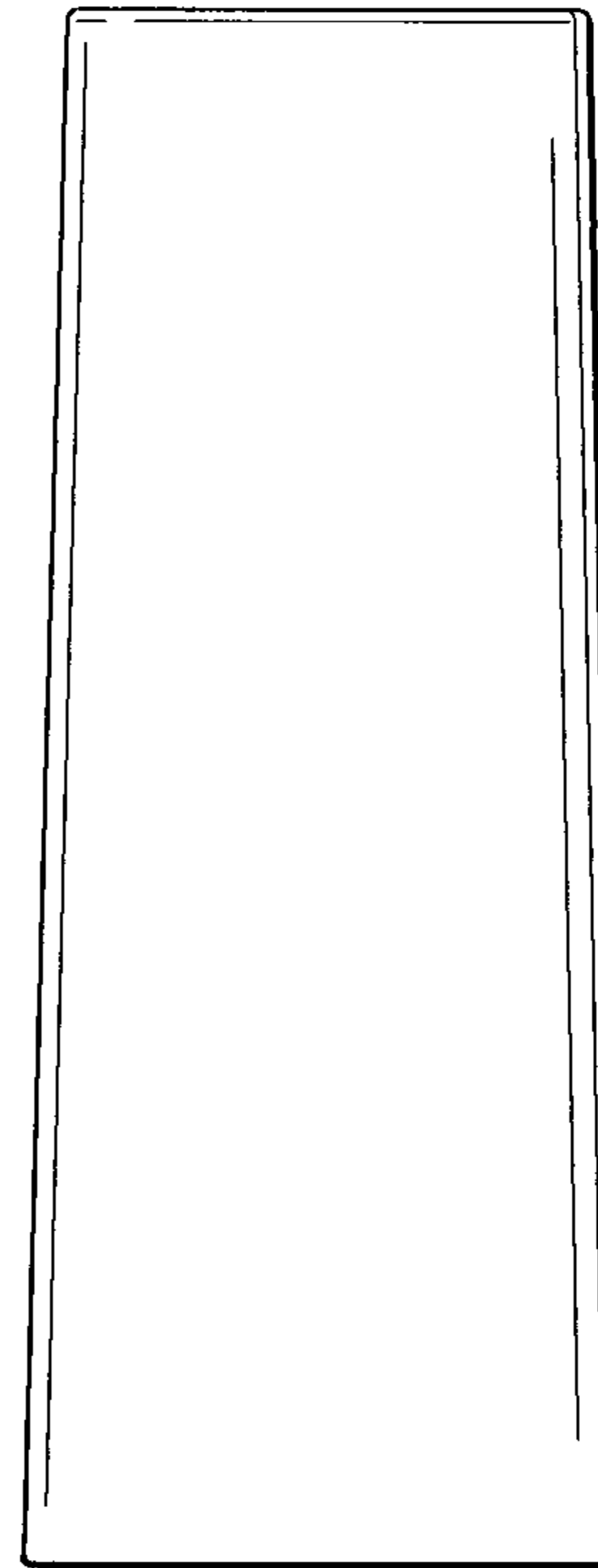


Fig-6