



US00D718838S

(12) **United States Design Patent**
Sedwick

(10) **Patent No.:** **US D718,838 S**

(45) **Date of Patent:** **** Dec. 2, 2014**

- (54) **DISPENSER HUB**
- (71) Applicant: **Moen Incorporated**, North Olmsted, OH (US)
- (72) Inventor: **Jennifer P. Sedwick**, Lakewood, OH (US)
- (73) Assignee: **Moen Incorporated**, North Olmsted, OH (US)
- (**) Term: **14 Years**
- (21) Appl. No.: **29/481,030**
- (22) Filed: **Jan. 31, 2014**
- (51) **LOC (10) Cl.** **23-01**
- (52) **U.S. Cl.**
USPC **D23/249**
- (58) **Field of Classification Search**
USPC D23/238, 241–243, 255, 257;
4/675–678; 137/801
See application file for complete search history.

- D461,531 S 8/2002 Ouyoung
- D461,532 S 8/2002 Ouyoung
- D462,749 S 9/2002 Lord
- D463,533 S 9/2002 Ko
- D464,714 S 10/2002 Lord
- D465,010 S 10/2002 Lord
- D465,265 S 11/2002 Czerwinski, Jr. et al.
- D465,834 S 11/2002 Singtoroj
- D466,981 S 12/2002 Cosolito et al.
- D469,854 S 2/2003 Ouyoung
- D470,917 S 2/2003 Friedrich
- D471,256 S 3/2003 Friedrich
- D472,607 S 4/2003 Warshawsky et al.
- D472,608 S 4/2003 Shieh
- D474,834 S 5/2003 Czerwinski, Jr. et al.
- D474,957 S 5/2003 Singtoroj et al.
- D478,153 S 8/2003 Friedrich
- D478,371 S 8/2003 Ouyoung

(Continued)

Primary Examiner — Robert Delehanty

(74) *Attorney, Agent, or Firm* — Calfee, Halter & Griswold LLP

(57) **CLAIM**

The ornamental design for a dispenser hub, as shown and described.

(56) **References Cited**

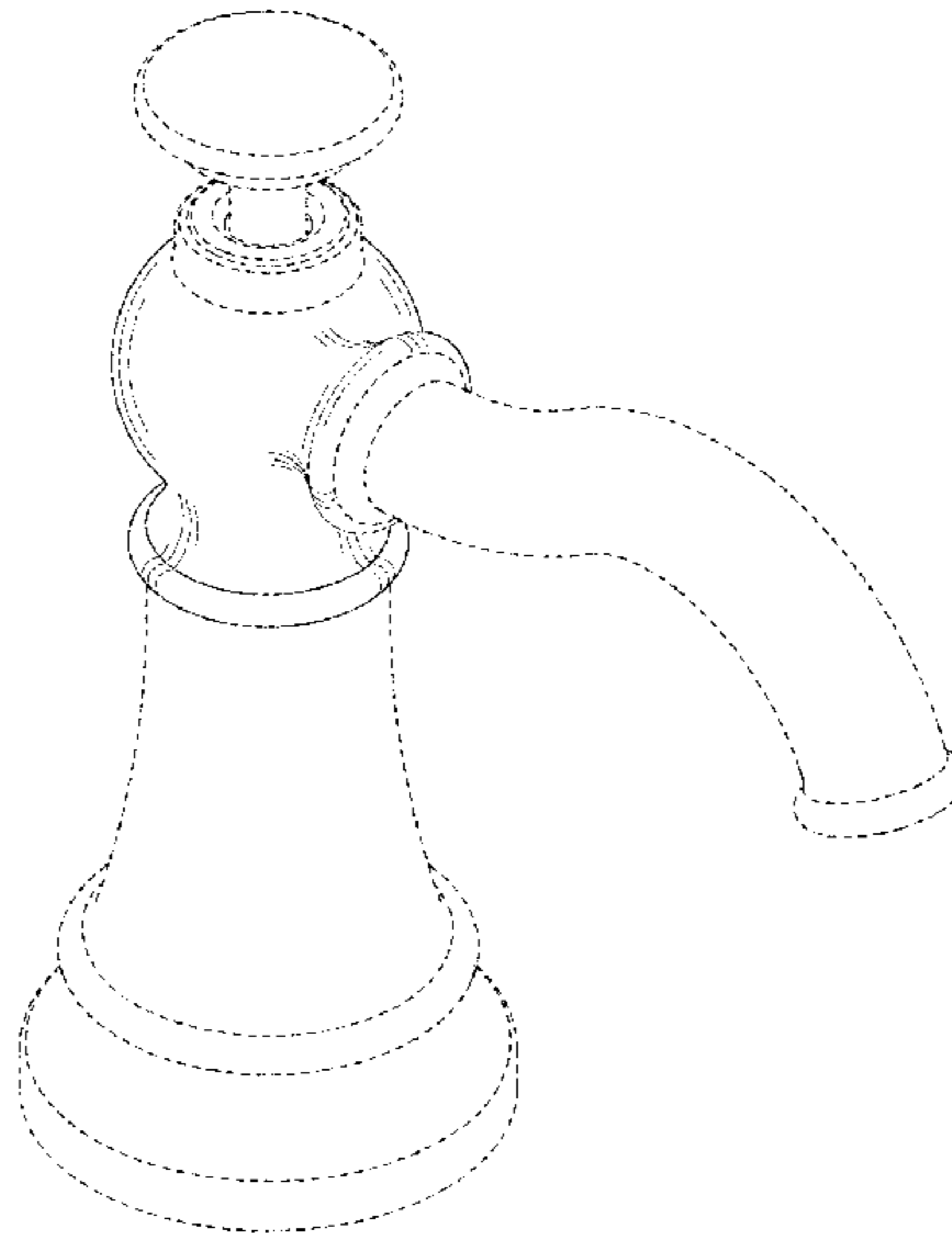
U.S. PATENT DOCUMENTS

- D25,950 S 8/1896 Totham
- D28,234 S 2/1898 Brewster
- 885,347 A 4/1908 Kenly
- D46,032 S 6/1914 Mueller et al.
- D87,328 S 7/1932 Brotz
- D121,300 S 7/1940 Levy et al.
- D235,099 S 5/1975 Doman
- D287,395 S 12/1986 Piesco
- D318,099 S 7/1991 Reid et al.
- D332,824 S 1/1993 Robbins
- D349,326 S 8/1994 Bollenbacher
- D350,390 S 9/1994 Bollenbacher
- D371,826 S 7/1996 Robbins
- D375,345 S 11/1996 Warshawsky
- D460,150 S 7/2002 Rexach

DESCRIPTION

FIG. 1 is a perspective view of a dispenser hub of the new design;
 FIG. 2 is a front elevational view of the dispenser hub of FIG. 1;
 FIG. 3 is a rear elevational view of the dispenser hub of FIG. 1;
 FIG. 4 is a left side elevational view of the dispenser hub of FIG. 1, the right side elevational view being a mirror image thereof; and,
 FIG. 5 is a top plan view of the dispenser hub of FIG. 1.
 The portions of the Figures shown in broken lines are not part of the claimed design and are for illustration only.

1 Claim, 3 Drawing Sheets



(56)

References Cited

U.S. PATENT DOCUMENTS

D479,584 S	9/2003	Shieh	D540,914 S	4/2007	Haug et al.
D487,132 S	2/2004	Zhao	D542,383 S	5/2007	Chu
D487,499 S	3/2004	Zhao	D544,946 S	6/2007	Lord et al.
D487,799 S	3/2004	Czerwinski, Jr. et al.	D550,330 S	9/2007	Mullenmeister
D487,916 S	3/2004	Lord	D557,380 S	12/2007	Shieh
D487,917 S	3/2004	Lord	D559,601 S	1/2008	Williams
D491,636 S	6/2004	Shieh	7,334,599 B2	2/2008	Shieh
D492,009 S	6/2004	Egee	D564,635 S	3/2008	Hsui et al.
D496,714 S	9/2004	Warshawsky	D565,156 S	3/2008	Shieh
D497,410 S	10/2004	Warshawsky	D566,244 S	4/2008	Dolan
D497,411 S	10/2004	Warshawsky	D566,811 S	4/2008	Zhang
D507,329 S	7/2005	Zhao	D566,817 S	4/2008	Isaacs
D509,284 S	9/2005	Blattner et al.	D568,080 S	5/2008	Bickler et al.
D509,571 S	9/2005	Green	D569,483 S	5/2008	Daunter et al.
D511,202 S	11/2005	Kulig	D569,485 S	5/2008	Daunter et al.
D512,124 S	11/2005	Kulig et al.	D569,949 S	5/2008	Yuan
D512,485 S	12/2005	Kulig	D570,962 S	6/2008	Dolan
D513,310 S	12/2005	Kulig	D574,469 S	8/2008	Soriano
D513,526 S	1/2006	Marshall	D580,015 S	11/2008	Yamaguchi et al.
D514,201 S	1/2006	Kulig	D580,529 S	11/2008	Spangler
D514,856 S	2/2006	Ferrer Beltran	D581,495 S	11/2008	Yuan
D515,181 S	2/2006	Lun et al.	D582,018 S	12/2008	Yuan
D516,176 S	2/2006	Hanna	D583,014 S	12/2008	Daunter et al.
D516,177 S	2/2006	Ouyoung	D583,438 S	12/2008	Spangler
D516,178 S	2/2006	Shieh	D583,439 S	12/2008	Spangler
D517,649 S	3/2006	Egee	D583,440 S	12/2008	Spangler
D520,118 S	5/2006	Fritz	D585,967 S	2/2009	Shieh
D521,125 S	5/2006	Fritz	D586,883 S	2/2009	Daunter et al.
D521,126 S	5/2006	Kemp	D587,342 S	2/2009	Sorzio
D521,602 S	5/2006	En-Min et al.	D591,402 S	4/2009	Eckhaus
D521,609 S	5/2006	Fritz	D591,830 S	5/2009	Shieh
D521,610 S	5/2006	Fritz	D591,834 S	5/2009	Williams
D522,631 S	6/2006	Singtoroj	D592,286 S	5/2009	Berberet
D523,112 S	6/2006	Blattner et al.	D593,185 S	5/2009	Williams
D523,535 S	6/2006	Fritz	7,533,683 B2	5/2009	Ortega et al.
D524,912 S	7/2006	Chu	D594,533 S	6/2009	Schoenherr et al.
D527,079 S	8/2006	Yoshioka	D610,653 S	2/2010	Schoenherr et al.
D528,191 S	9/2006	Chen	D611,124 S	3/2010	Schoenherr et al.
D528,634 S	9/2006	Nadler et al.	D623,275 S	9/2010	Rubin et al.
D530,783 S	10/2006	Bayer	D636,850 S	4/2011	Shieh
D530,794 S	10/2006	Sutopo	D645,937 S	9/2011	Sedwick
D532,083 S	11/2006	Green	D645,944 S	9/2011	Gilbert
D534,622 S	1/2007	Chu et al.	D656,350 S	3/2012	Sedwick
D535,726 S	1/2007	Koury et al.	D666,039 S	8/2012	Sedwick
			D667,085 S *	9/2012	Shieh D23/238

* cited by examiner

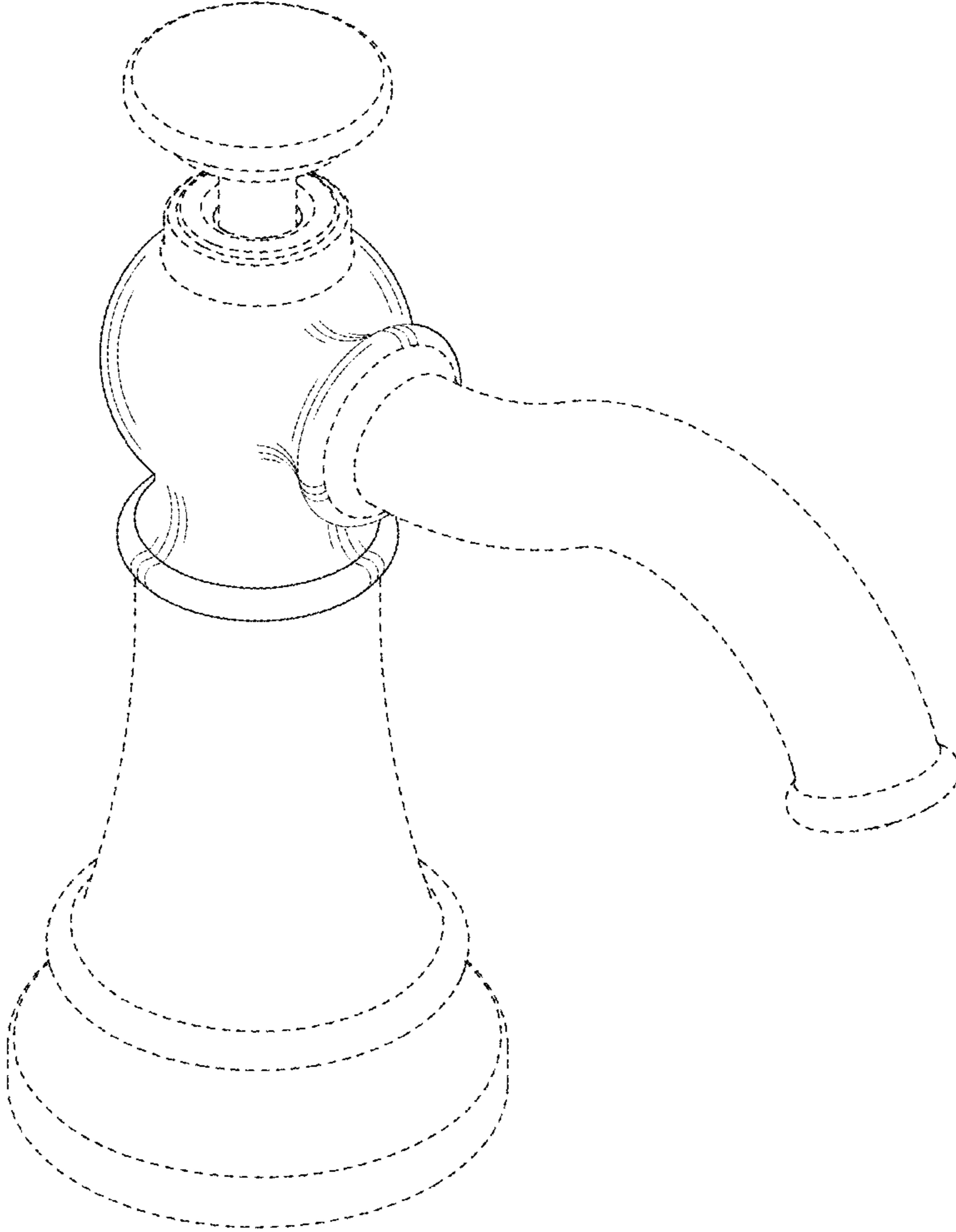


FIG. 1

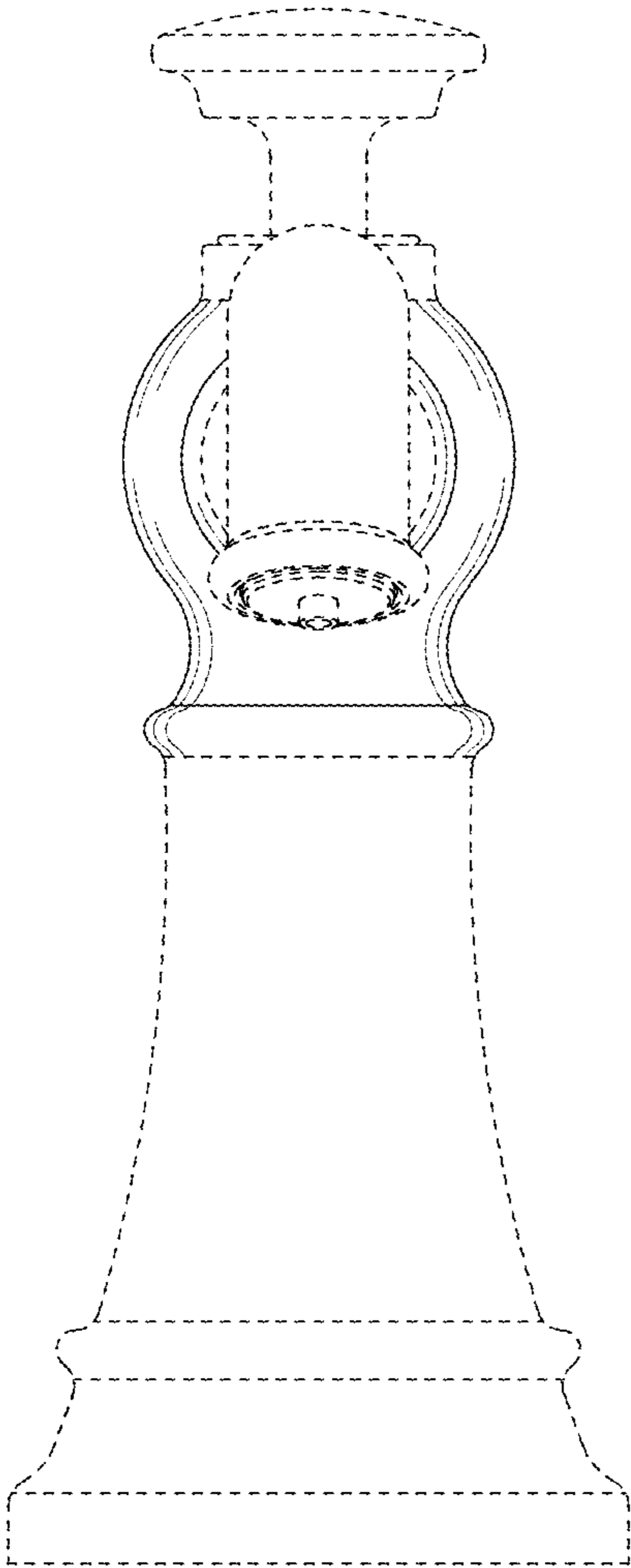


FIG. 2

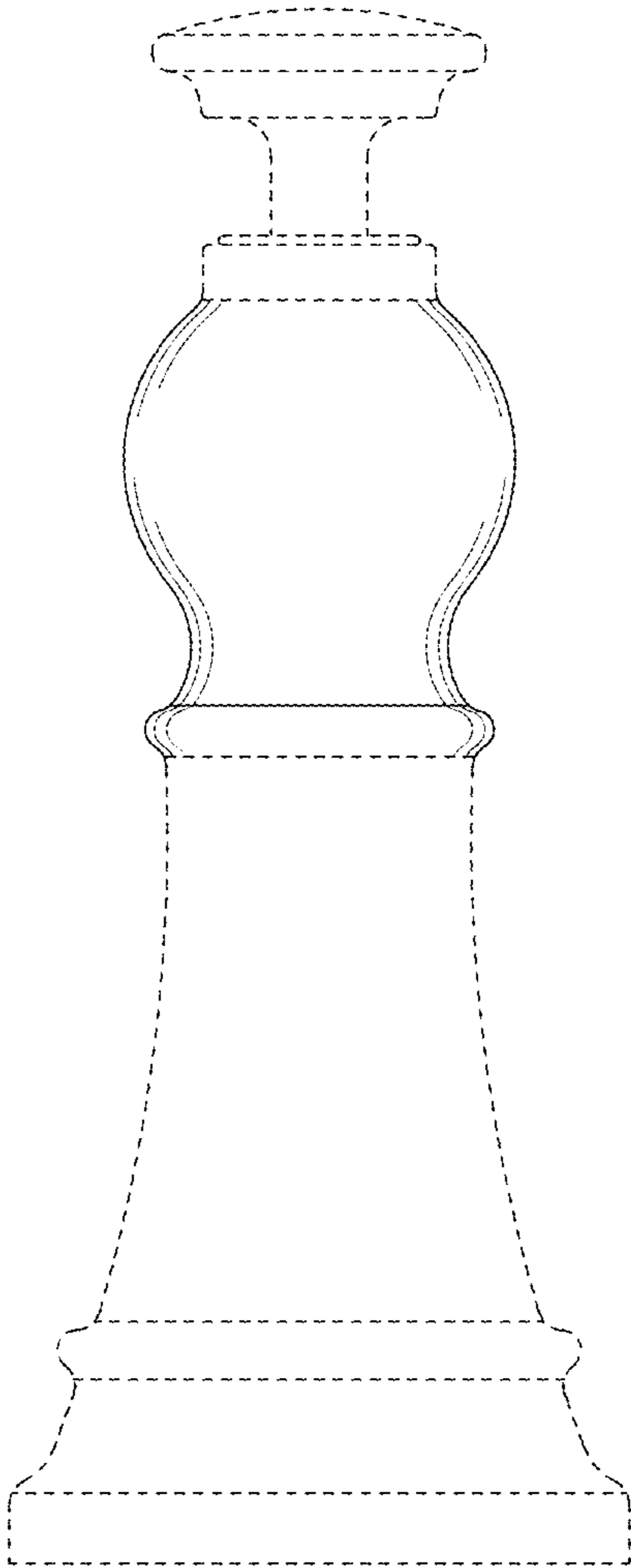


FIG. 3

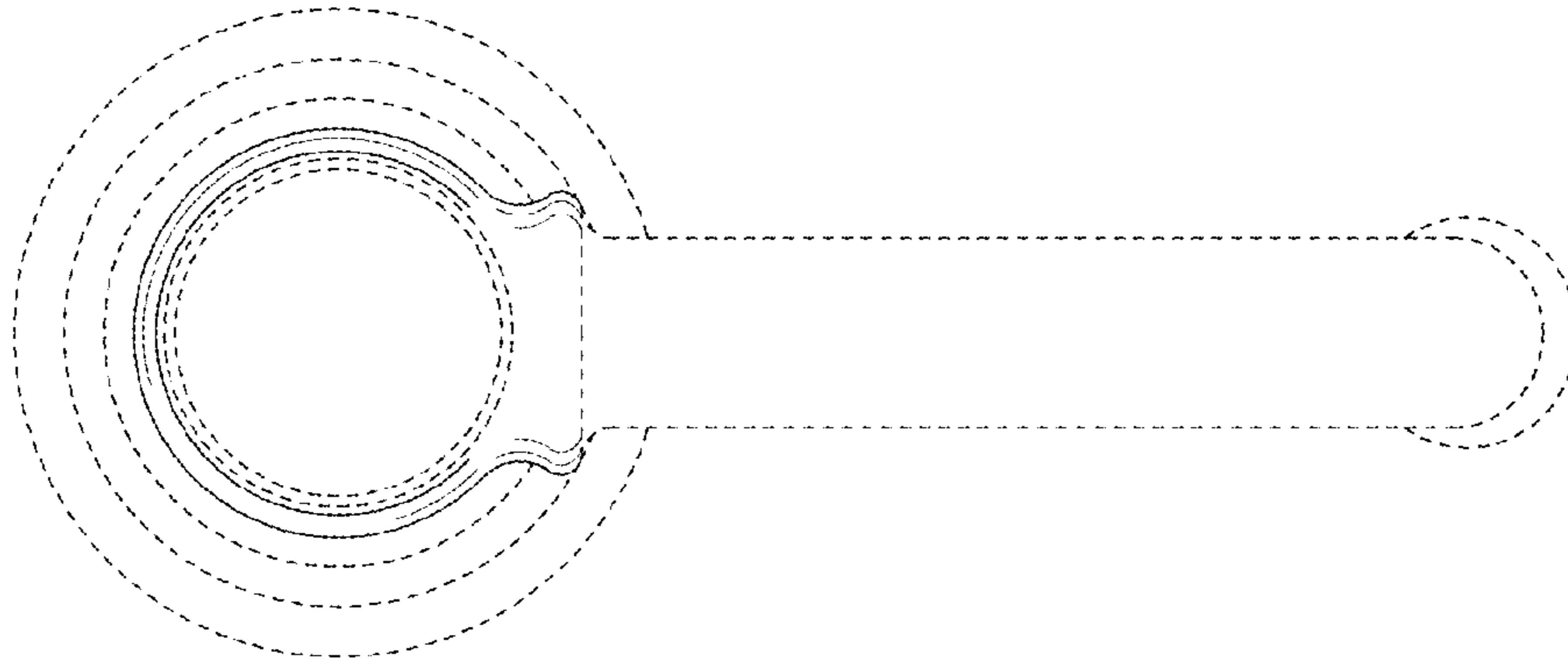


FIG. 5

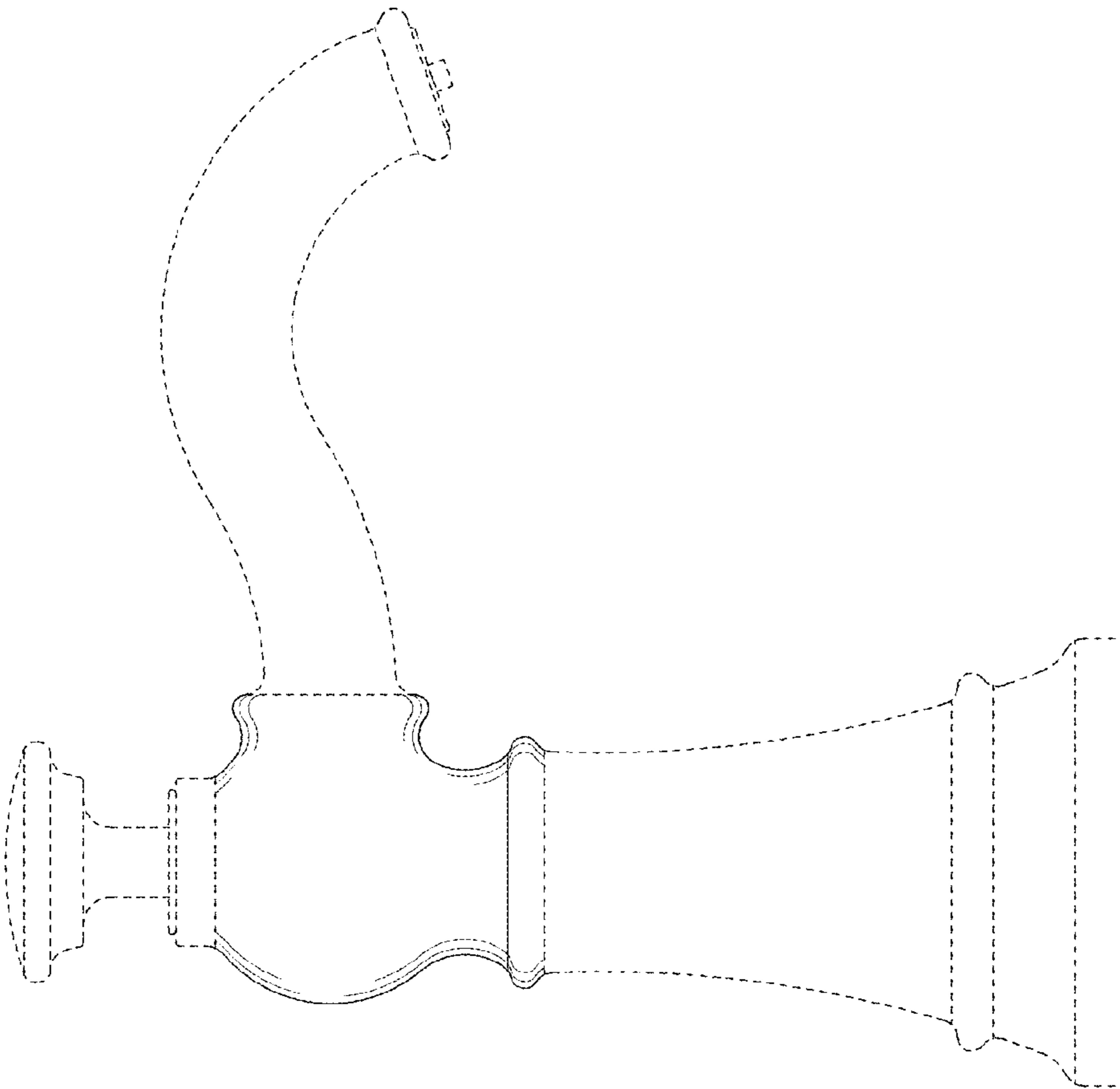


FIG. 4