



US00D718837S

(12) **United States Design Patent**
Garland

(10) **Patent No.:** **US D718,837 S**

(45) **Date of Patent:** **** Dec. 2, 2014**

(54) **FAUCET**

(56) **References Cited**

(71) Applicant: **Masco Corporation of Indiana,**
Indianapolis, IN (US)

(72) Inventor: **Celine Kwok Garland,** Zionsville, IN
(US)

(73) Assignee: **Masco Corporation of Indiana,**
Indianapolis, IN (US)

(**) Term: **14 Years**

(21) Appl. No.: **29/488,870**

(22) Filed: **Apr. 24, 2014**

(51) **LOC (10) Cl.** **23-01**

(52) **U.S. Cl.**
USPC **D23/238**

(58) **Field of Classification Search**
USPC D23/238–239, 241–243, 249–250, 252,
D23/254–255, 257; 4/675–678; 137/801

See application file for complete search history.

U.S. PATENT DOCUMENTS

| | | | |
|--------------|--------|-----------------------|---------|
| D316,747 S * | 5/1991 | Fleischmann | D23/252 |
| D346,644 S * | 5/1994 | Bonnell | D23/252 |
| D460,532 S * | 7/2002 | Marcichow et al. | D23/252 |
| D523,524 S * | 6/2006 | Schaffeld et al. | D23/249 |
| D525,680 S * | 7/2006 | Schaffeld et al. | D23/255 |
| D664,629 S * | 7/2012 | Tang | D23/238 |
| D708,709 S * | 7/2014 | Yu | D23/238 |

* cited by examiner

Primary Examiner — Robert Delehanty

(74) *Attorney, Agent, or Firm* — Edgar A. Zarins; Nirav D. Parikh

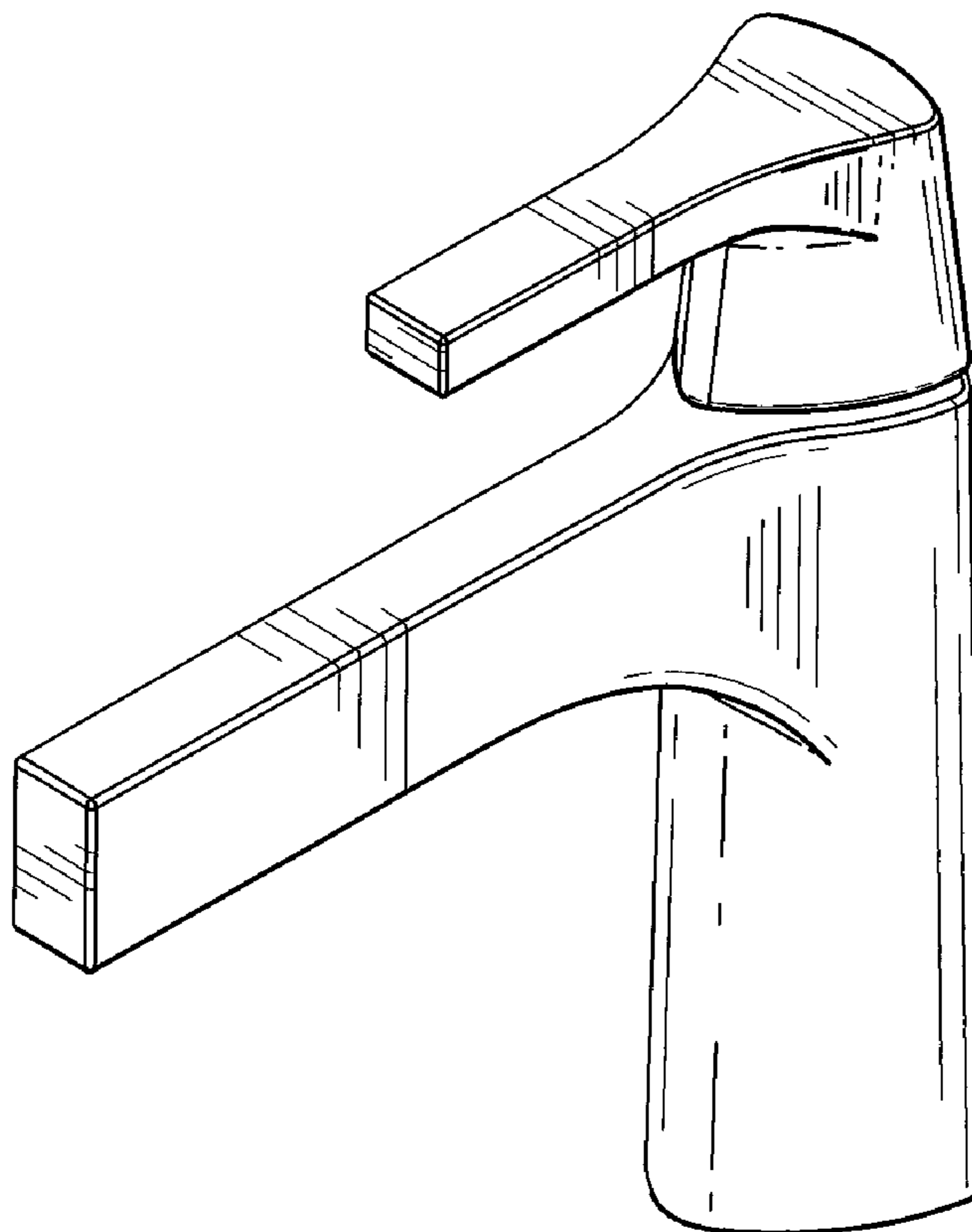
(57) **CLAIM**

The ornamental design for a faucet, as shown and described.

DESCRIPTION

FIG. 1 is a perspective view of a faucet showing my new design;
FIG. 2 is a front elevational view thereof;
FIG. 3 is a left side view thereof, the opposite side being a mirror image of the side shown;
FIG. 4 is a top plan view thereof;
FIG. 5 is a bottom view thereof; and,
FIG. 6 is a rear view thereof.

1 Claim, 2 Drawing Sheets



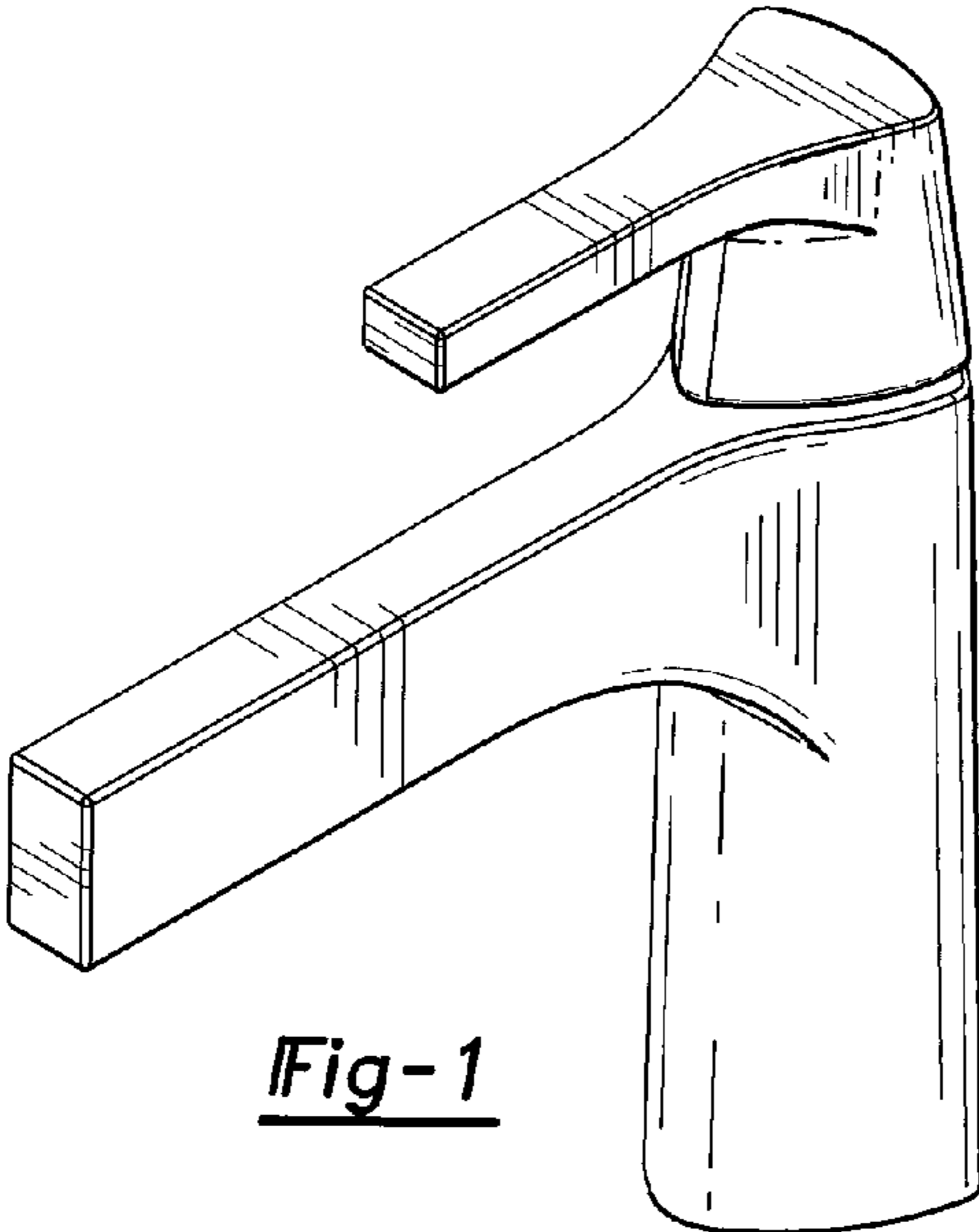


Fig-1

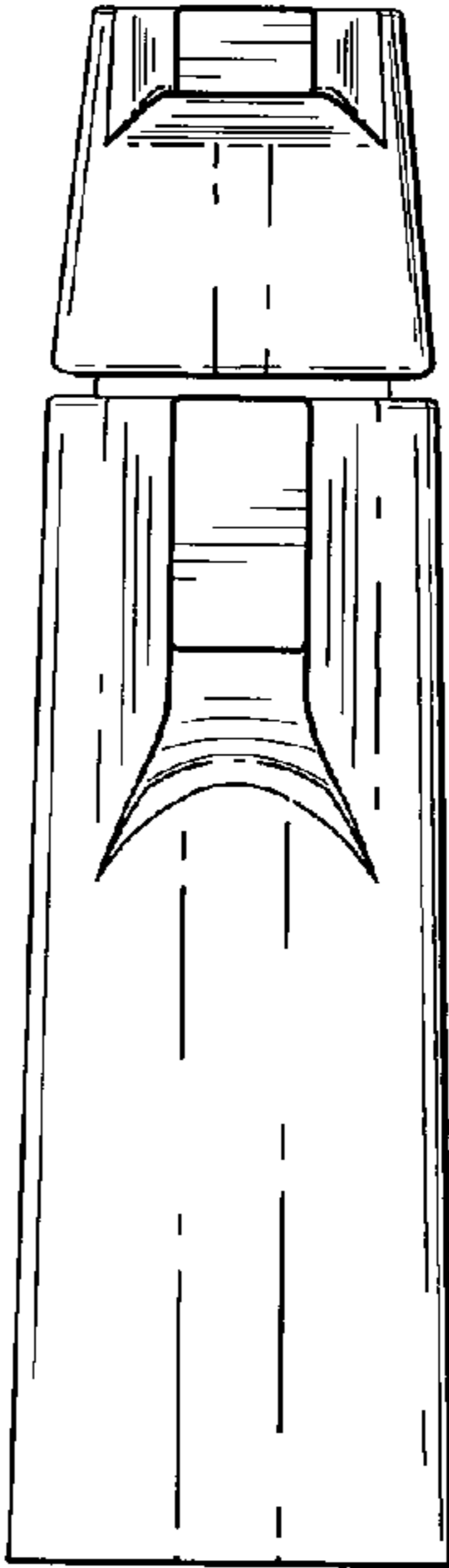


Fig-2

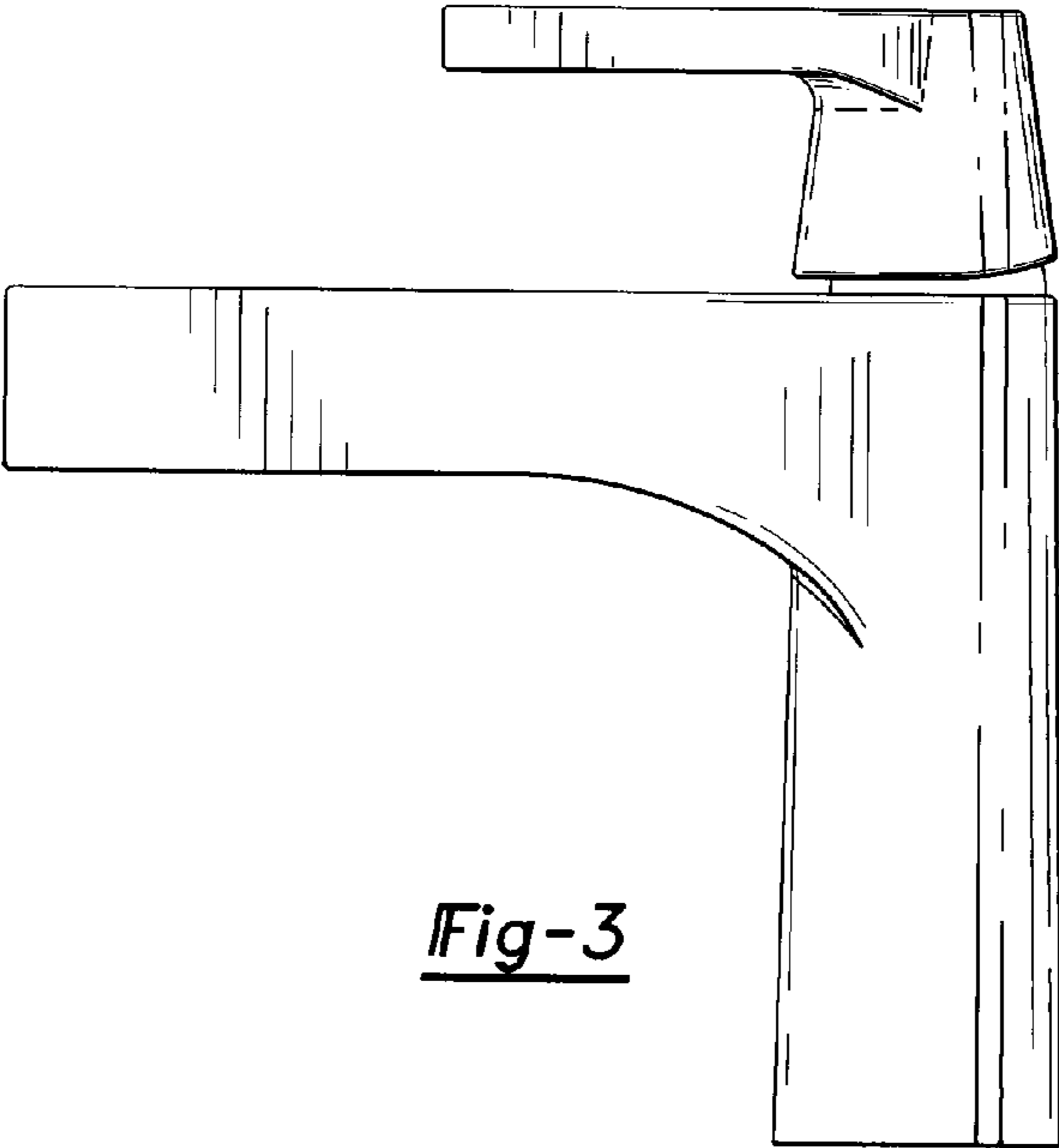


Fig-3

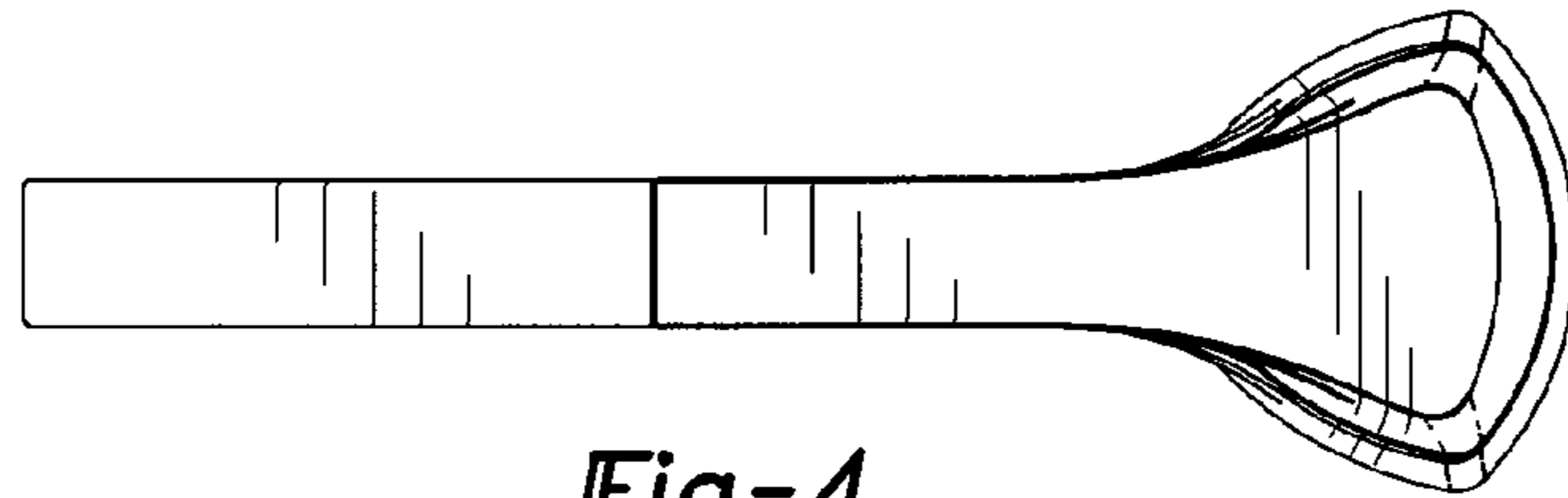


Fig-4

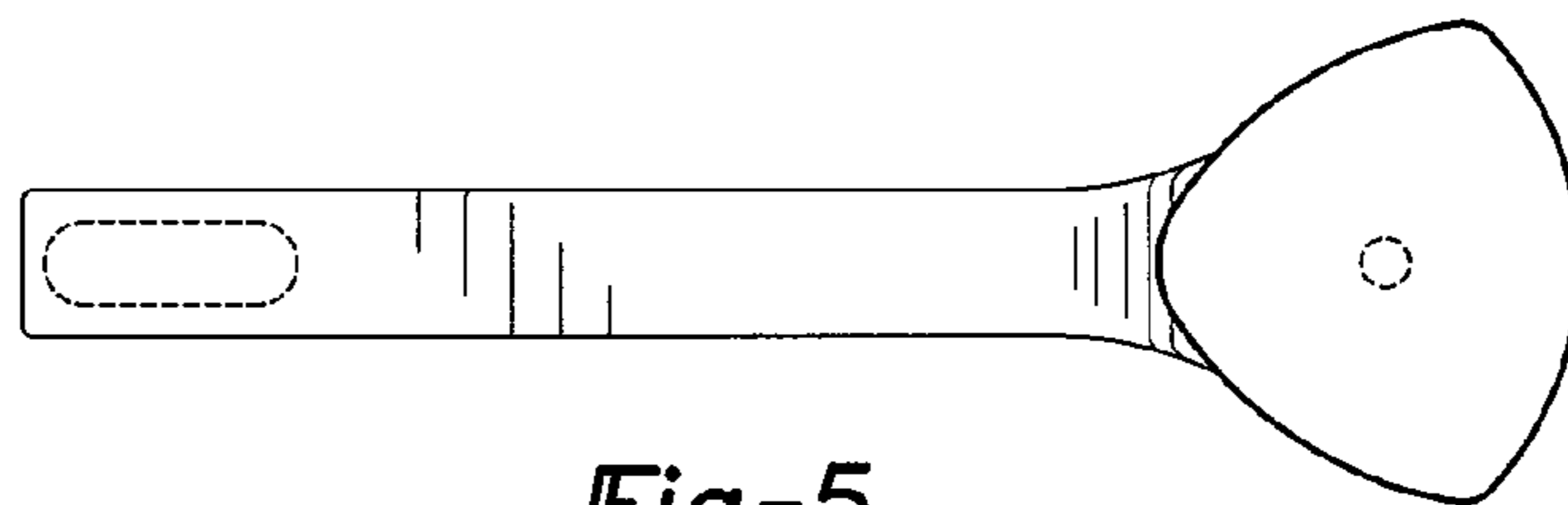


Fig-5

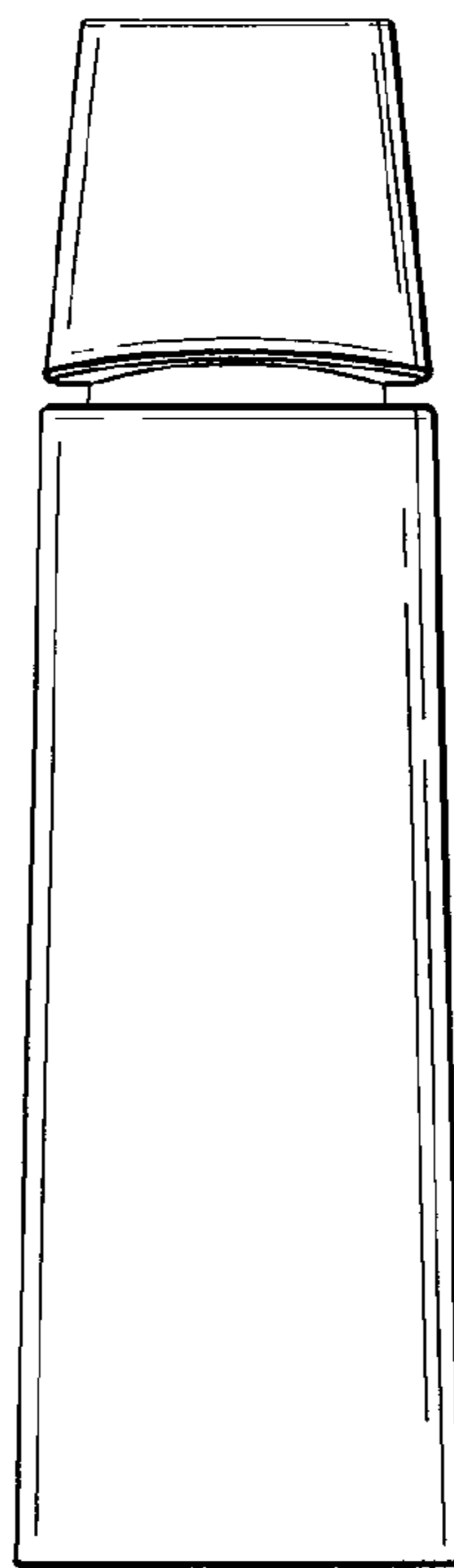


Fig-6