



US00D718835S

(12) **United States Design Patent**
Lipkens

(10) **Patent No.:** **US D718,835 S**

(45) **Date of Patent:** **** Dec. 2, 2014**

(54) **ACOUSTIC SEPARATOR**

6,071,473 A * 6/2000 Darwin 422/20
6,267,883 B1 * 7/2001 Weaver et al. 210/198.1
7,101,485 B2 * 9/2006 Dubruque et al. 210/748.05
D678,981 S * 3/2013 Shengyong D23/233

(71) Applicant: **FloDesign Sonics Inc.**, Wilbraham, MA
(US)

* cited by examiner

(72) Inventor: **Bart Lipkens**, Hampden, MA (US)

Primary Examiner — Robin V Webster

(73) Assignee: **FloDesign Sonics, Inc.**, Wilbraham, MA
(US)

(74) *Attorney, Agent, or Firm* — Richard M. Klein; Fay
Sharpe LLP

(**) Term: **14 Years**

(57) **CLAIM**

The ornamental design for an acoustic separator, as shown
and described.

(21) Appl. No.: **29/458,704**

(22) Filed: **Jun. 21, 2013**

DESCRIPTION

(51) **LOC (10) Cl.** **23-01**

(52) **U.S. Cl.**

USPC **D23/207; D23/233**

(58) **Field of Classification Search**

USPC D23/207, 209, 233; 422/20;
210/748.01, 748.02, 748.05

See application file for complete search history.

FIG. 1 is a front top perspective view.
FIG. 2 is a front bottom perspective view.
FIG. 3 is a right side view.
FIG. 4 is a front view.
FIG. 5 is a rear view.
FIG. 6 is a left side view.
FIG. 7 is a top view.
FIG. 8 is a bottom view; and,
FIG. 9 is a right side cross-sectional view.
The broken lines of FIGS. 1-9 illustrate portions of the article
and form no part of the claimed design.

(56) **References Cited**

U.S. PATENT DOCUMENTS

5,085,783 A * 2/1992 Feke et al. 210/748.05
5,419,877 A * 5/1995 Goforth et al. 422/177

1 Claim, 6 Drawing Sheets

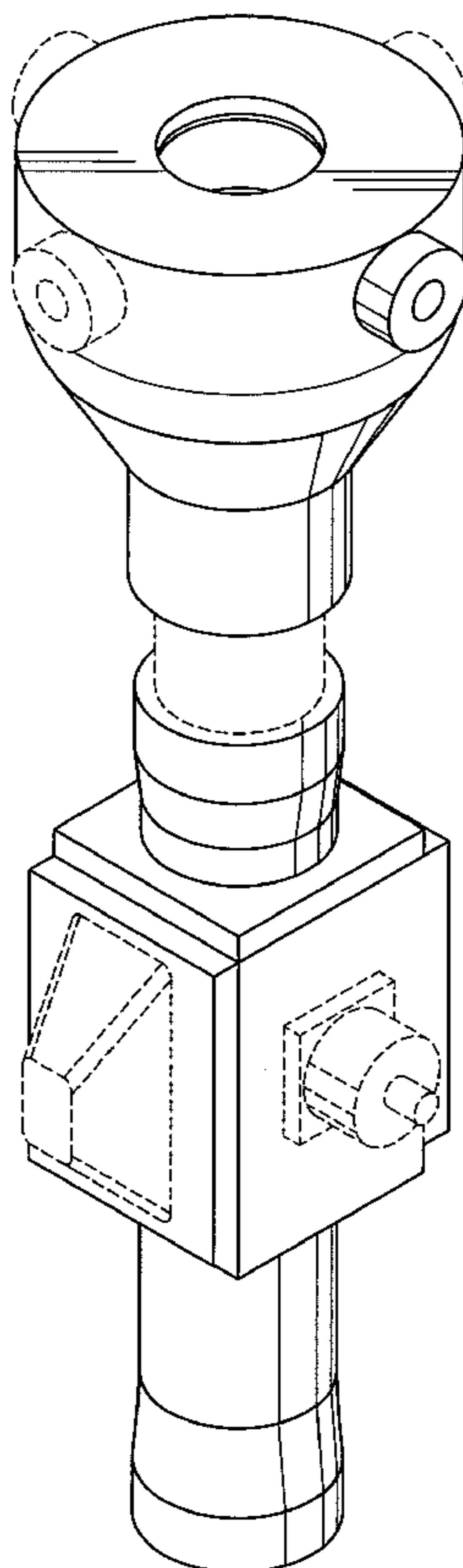


FIG. 1

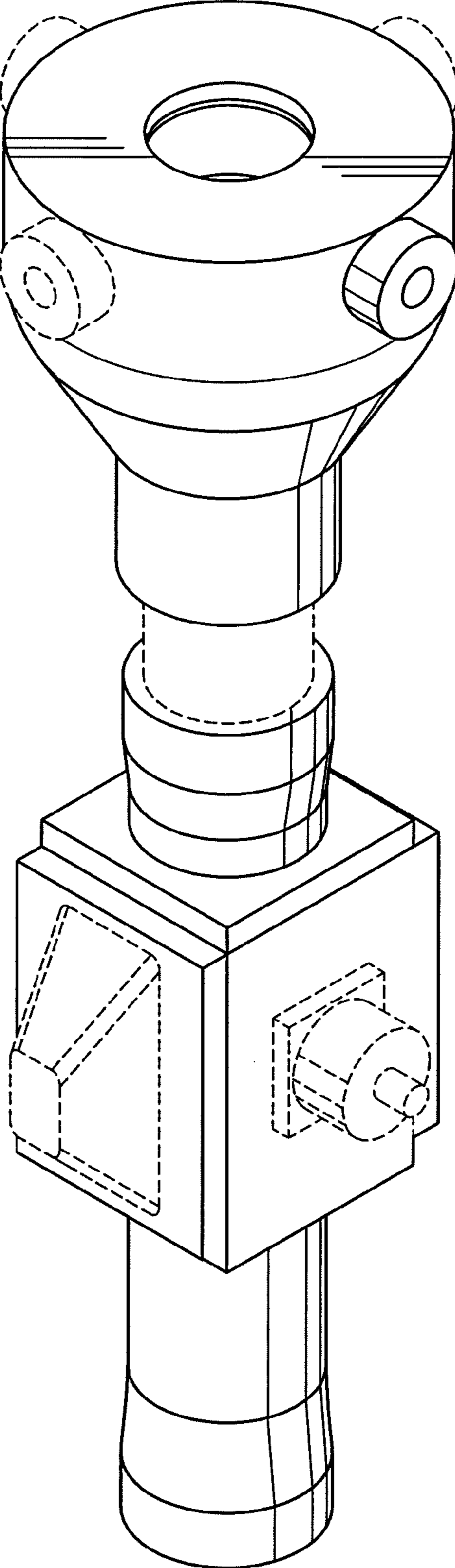
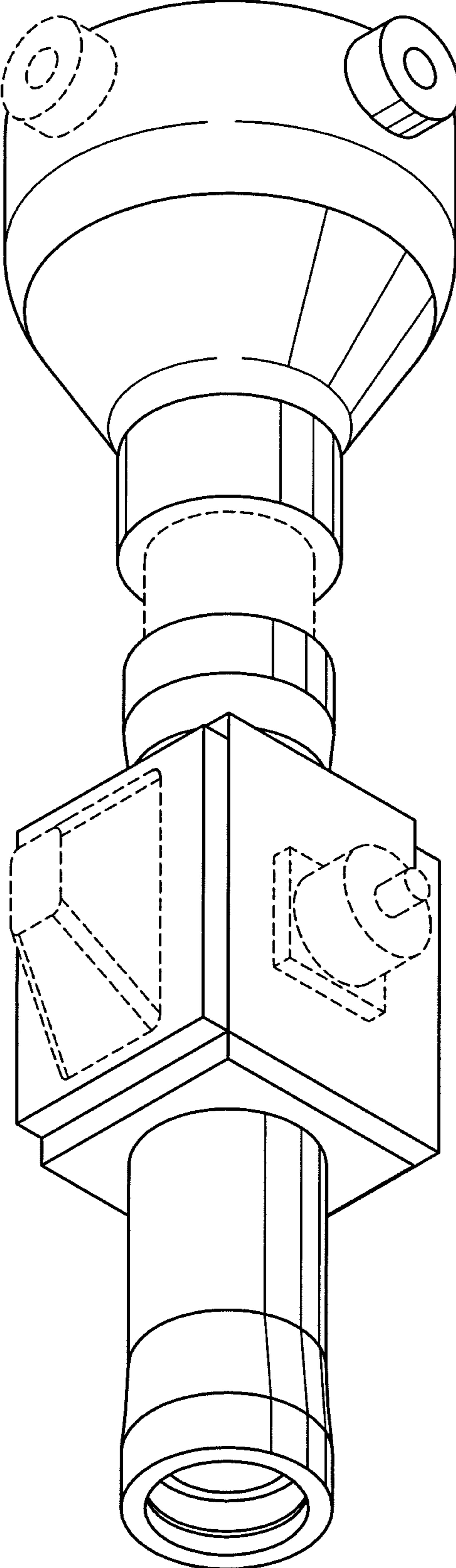


FIG. 2



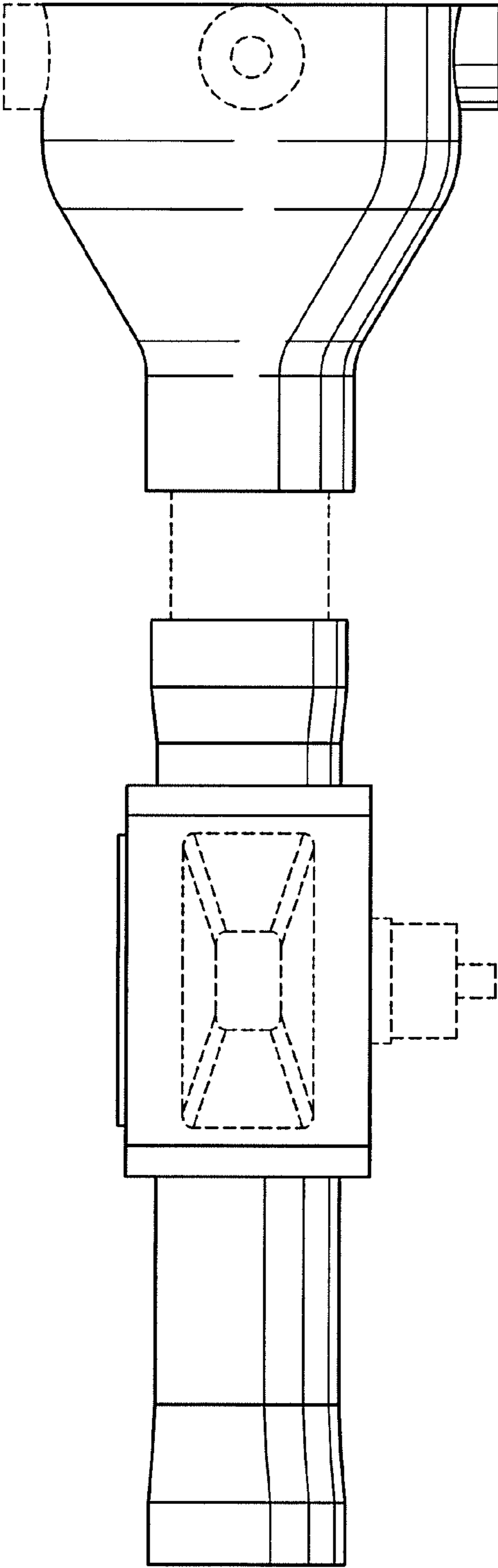


FIG. 3

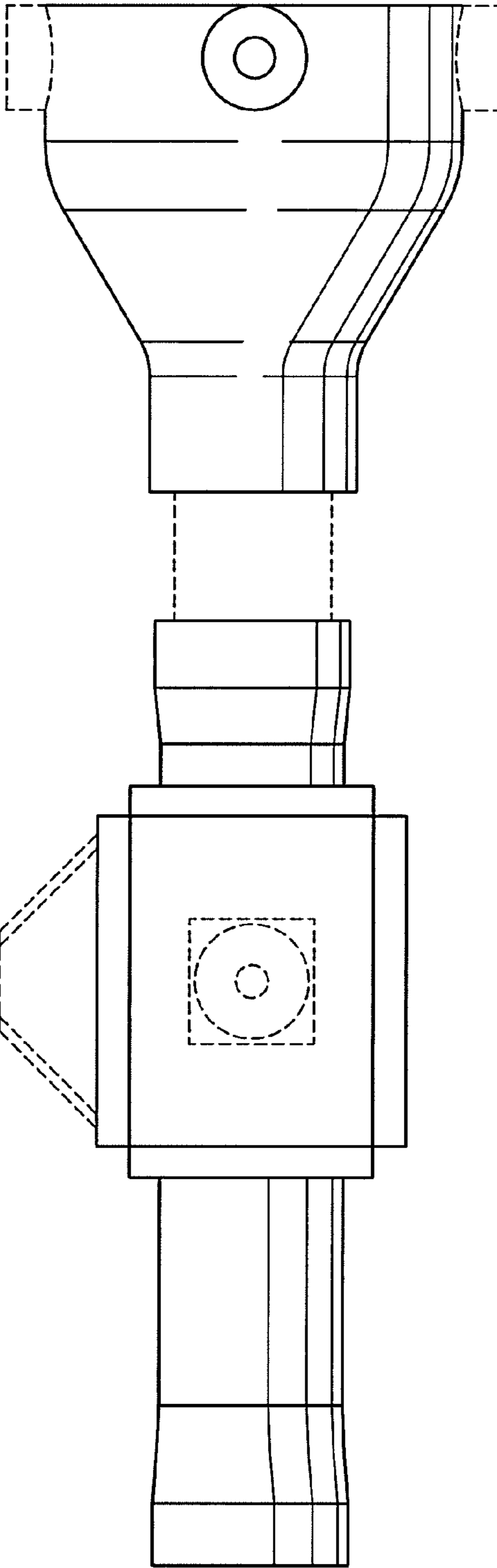


FIG. 4

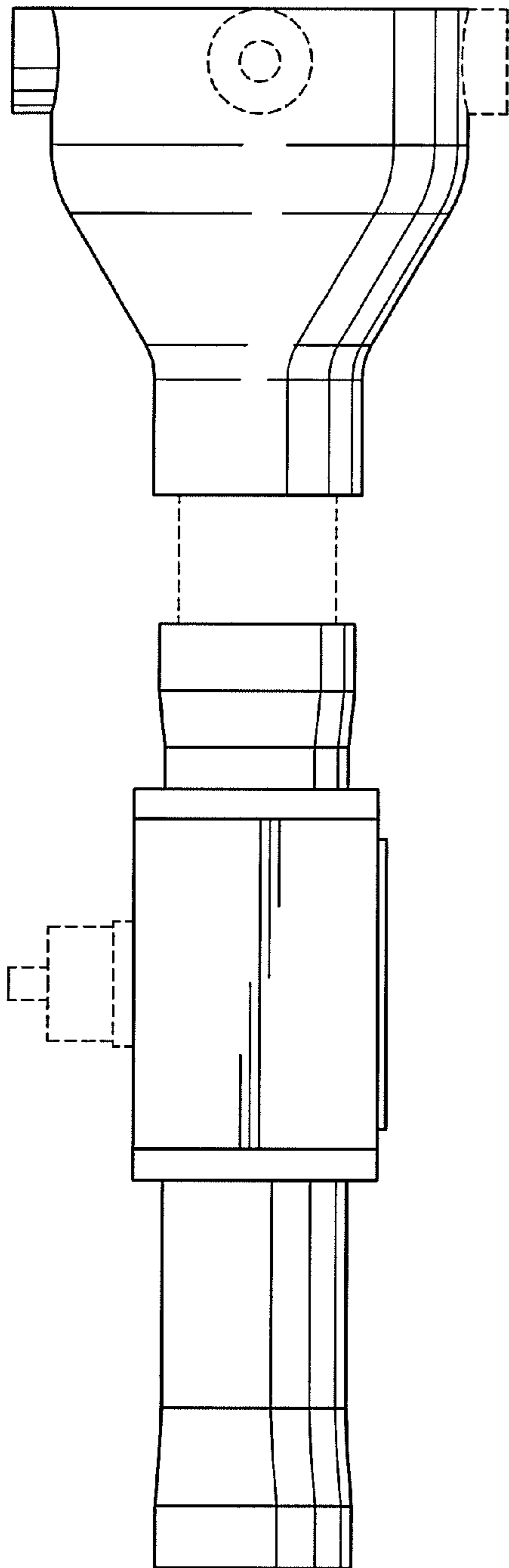


FIG. 6

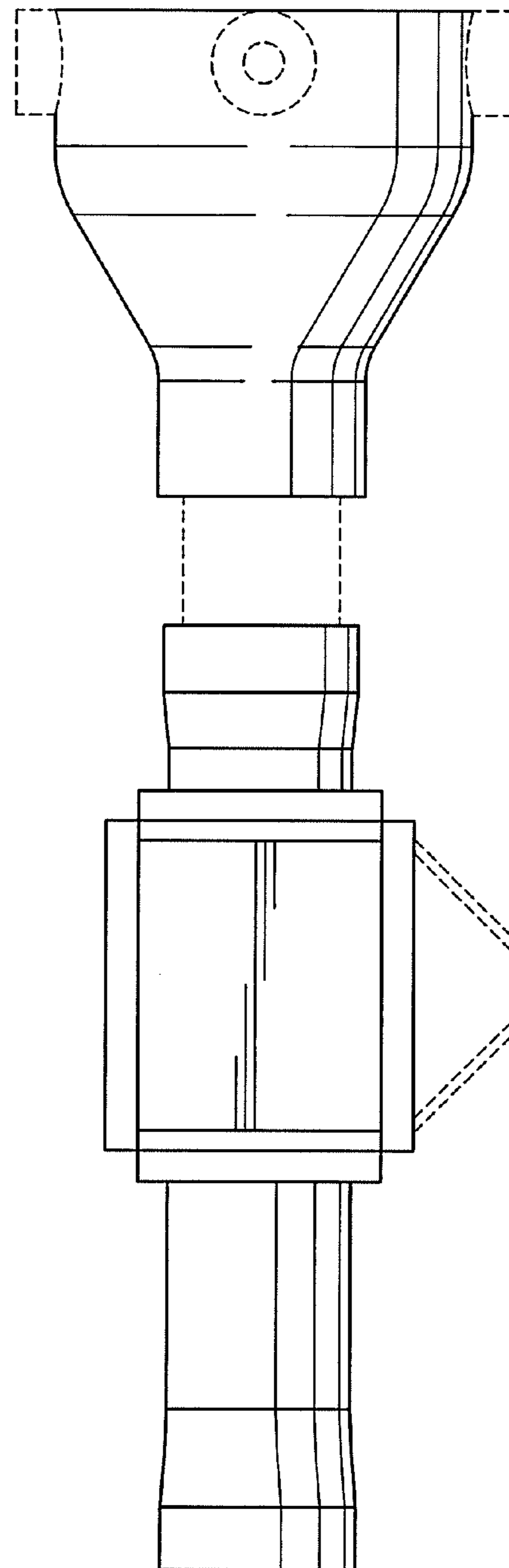


FIG. 5

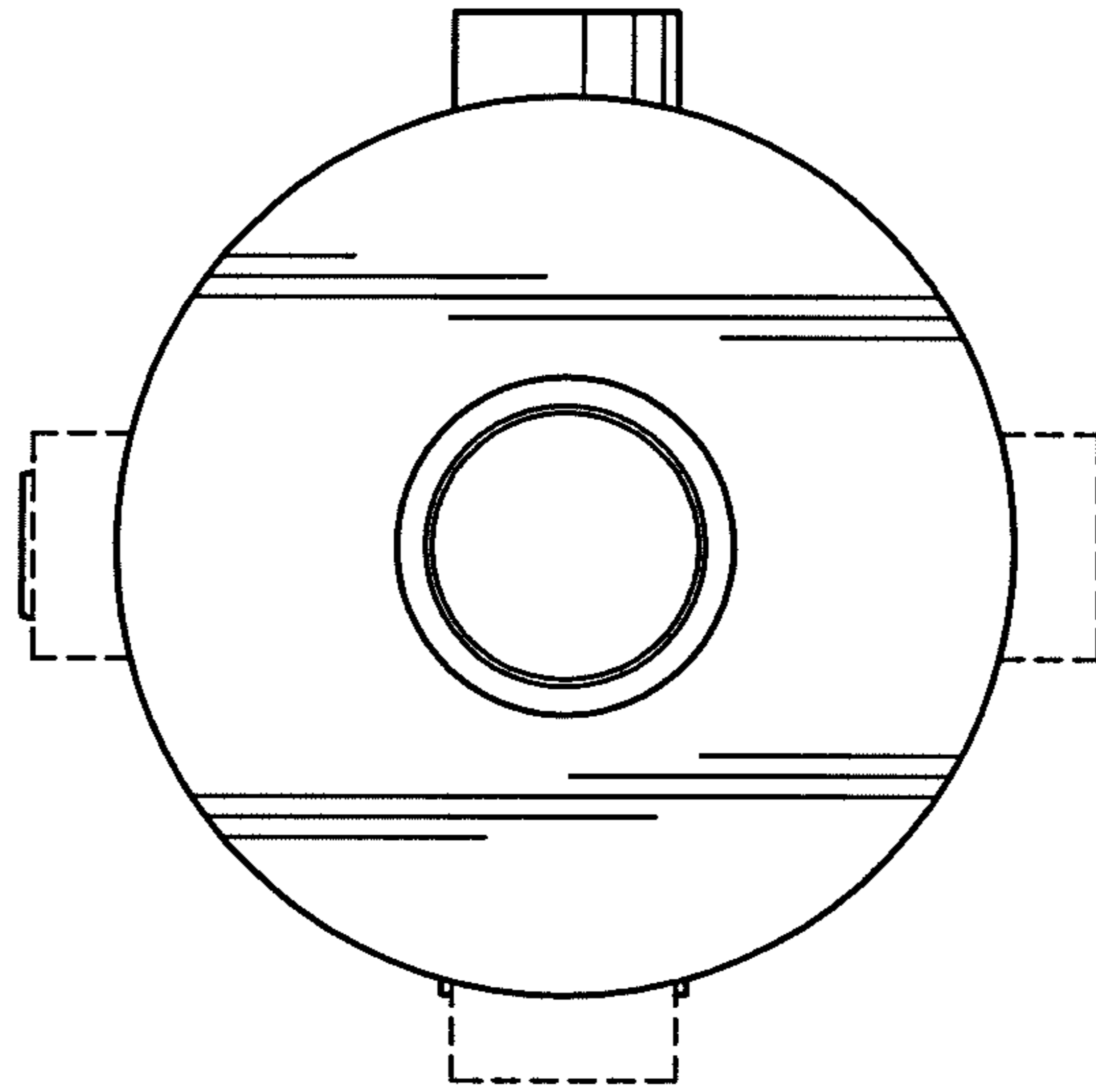


FIG. 7

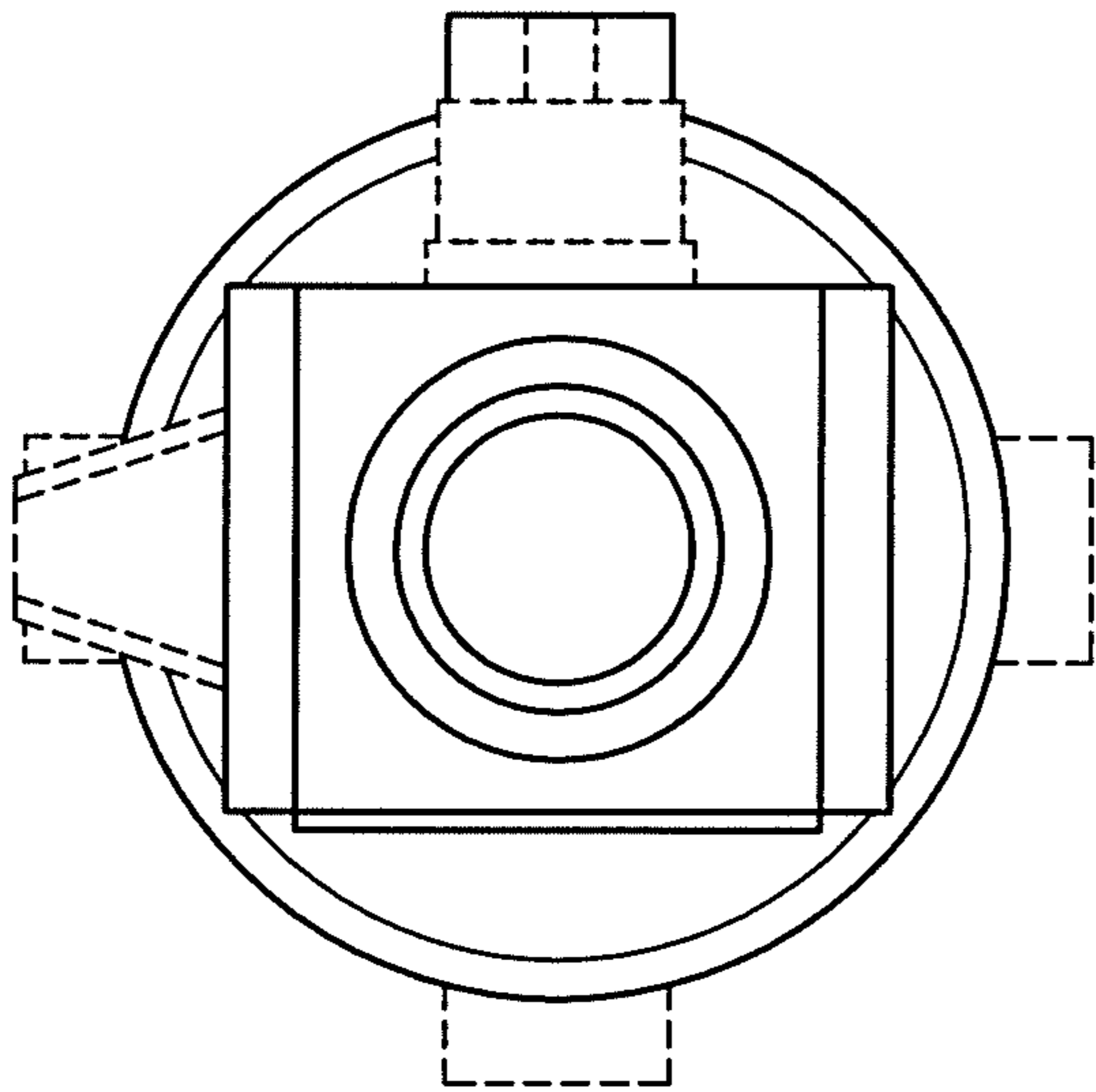


FIG. 8

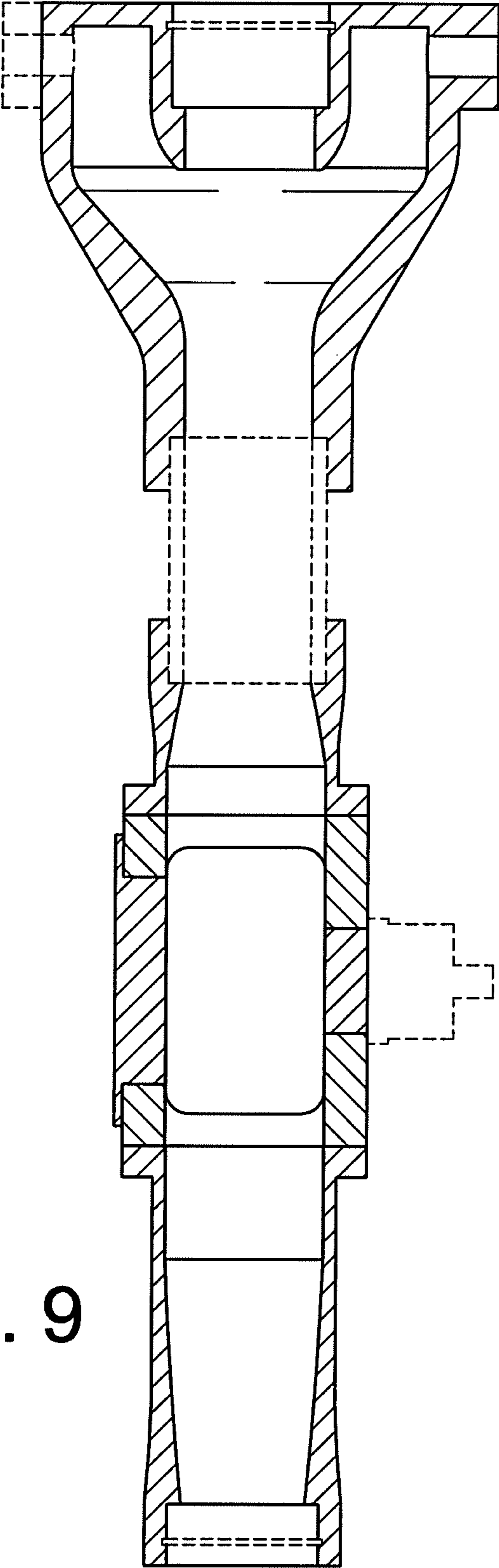


FIG. 9

UNITED STATES PATENT AND TRADEMARK OFFICE
CERTIFICATE OF CORRECTION

PATENT NO. : D718,835 S
APPLICATION NO. : 29/458704
DATED : December 2, 2014
INVENTOR(S) : Bart Lipkens, Walter M. Presz, Jr. and Jason Dionne

Page 1 of 1

It is certified that error appears in the above-identified patent and that said Letters Patent is hereby corrected as shown below:

On the Title Page

Item (72) should read:

“Bart Lipkens, Hampden, MA (US)
Walter M. Presz, Jr., Wilbraham, MA (US)
Jason Dionne, Simsbury, CT (US)”.

Signed and Sealed this
Twenty-sixth Day of September, 2017



Joseph Matal
*Performing the Functions and Duties of the
Under Secretary of Commerce for Intellectual Property and
Director of the United States Patent and Trademark Office*