



US00D718834S

(12) **United States Design Patent**
Mayberry et al.

(10) **Patent No.:** **US D718,834 S**

(45) **Date of Patent:** **** Dec. 2, 2014**

(54) **ROUND LIMITER FOR A FIREARM MAGAZINE**

(71) Applicant: **Magpul Industries Corporation**, Erie, CO (US)

(72) Inventors: **Michael T. Mayberry**, Denver, CO (US); **Richard Fitzpatrick**, Longmont, CO (US); **Brian Nakayama**, Arvada, CO (US); **Nick Kielsmeier**, Thornton, CO (US)

(73) Assignee: **Magpul Industries Corporation**, Erie, CO (US)

(**) Term: **14 Years**

(21) Appl. No.: **29/467,922**

(22) Filed: **Sep. 25, 2013**

(51) **LOC (10) Cl.** **22-01**

(52) **U.S. Cl.**
USPC **D22/108**

(58) **Field of Classification Search**

CPC F41A 9/61; F41A 9/62; F41A 9/63; F41A 9/64; F41A 9/65; F41A 9/68; F41A 9/69; F41A 9/73; F41A 9/74; F41A 9/75; F41A 9/79; F41A 9/86
USPC D22/108; 42/51, 71.01, 75.01, 75.02, 42/90, 94; 89/33.01

See application file for complete search history.

(56) **References Cited**

U.S. PATENT DOCUMENTS

3,019,542 A * 2/1962 Manthos 42/18
3,777,383 A * 12/1973 Haines et al. 42/49.02

(Continued)

OTHER PUBLICATIONS

Magpul Print Catalog (2011) PMAG AR/M4 GEN M2 Limiters, p. 21.

(Continued)

Primary Examiner — Michael A Pratt

(74) *Attorney, Agent, or Firm* — Swanson & Bratschun, L.L.C.

(57) **CLAIM**

The ornamental design for a round limiter for a firearm magazine, as shown and described.

DESCRIPTION

FIG. 1 is a left side elevation view of a round limiter showing our new design shown installed in a firearm magazine, with a left side portion of the magazine removed and the right side portion of the magazine shown in broken lines;

FIG. 2 is a front elevation view of the round limiter of FIG. 1;

FIG. 3 is a rear elevation view of the round limiter of FIG. 1;

FIG. 4 is a left side elevation view of the round limiter of FIG. 1;

FIG. 5 is a right side elevation view of the round limiter of FIG. 1;

FIG. 6 is a top plan view of the round limiter of FIG. 1;

FIG. 7 is a bottom plan view of the round limiter of FIG. 1;

FIG. 8 is a top, front, left perspective view of the round limiter of FIG. 1;

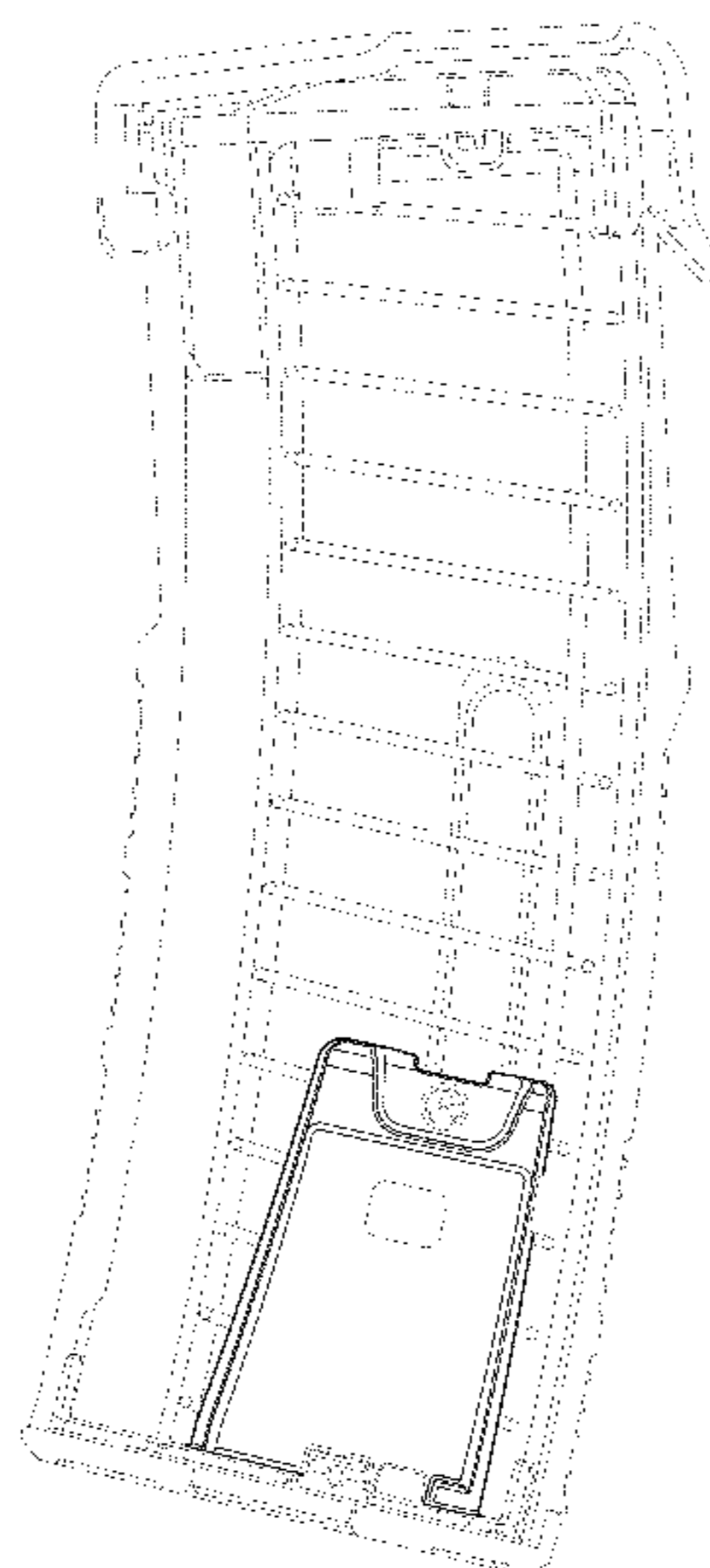
FIG. 9 is a top, rear, right perspective view of the round limiter of FIG. 1;

FIG. 10 is a bottom, front left perspective view of the round limiter of FIG. 1; and,

FIG. 11 is a left side elevation view an alternate embodiment of the round limiter of FIGS. 1-10, having all the design features thereof illustrating a break in the round limiter with no specific height being claimed, and it being understood that all other surfaces are the same as those of the round limiter of FIGS. 1-10.

The broken lines showing portions of the design in all figures is included for the purpose of illustrating environment and unclaimed features and forms not part of the claimed design.

1 Claim, 9 Drawing Sheets



(56)

References Cited

OTHER PUBLICATIONS

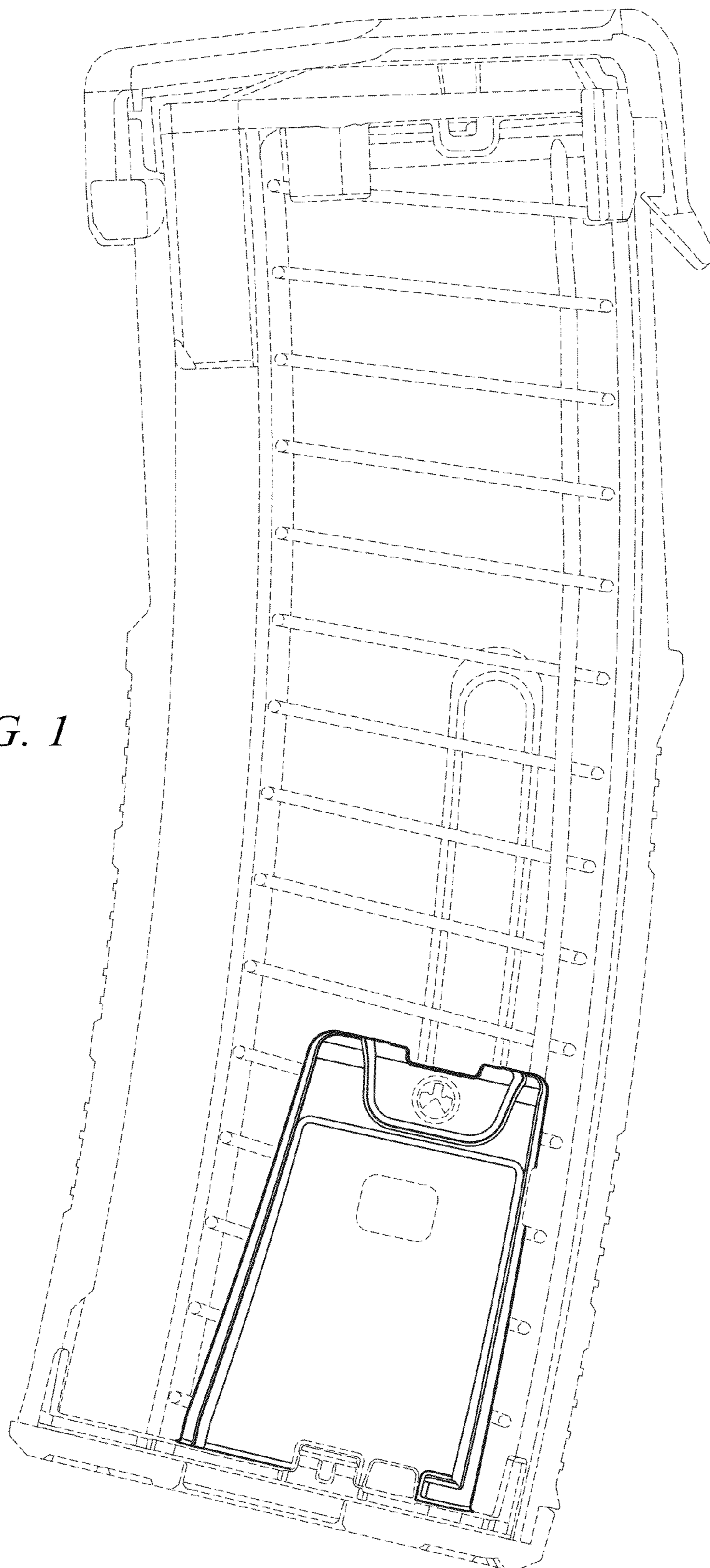
U.S. PATENT DOCUMENTS

8,713,835 B1 * 5/2014 Calvert 42/49.02
8,752,317 B1 * 6/2014 Calvert 42/49.02
2013/0192115 A1 * 8/2013 Calilung 42/49.01

Design U.S. Appl. No. 29/466,793, filed Sep. 11, 2013, "Round Limiter for a Firearm Magazine (LR/SR)" by Mayberry.

* cited by examiner

FIG. 1



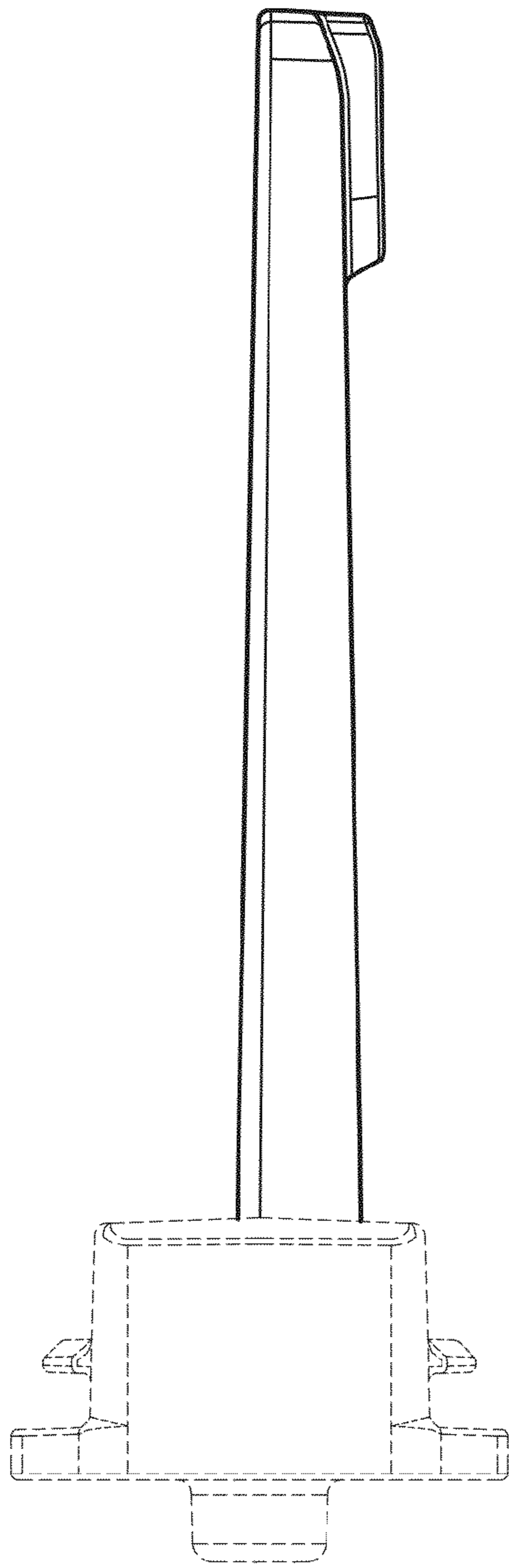


FIG. 2

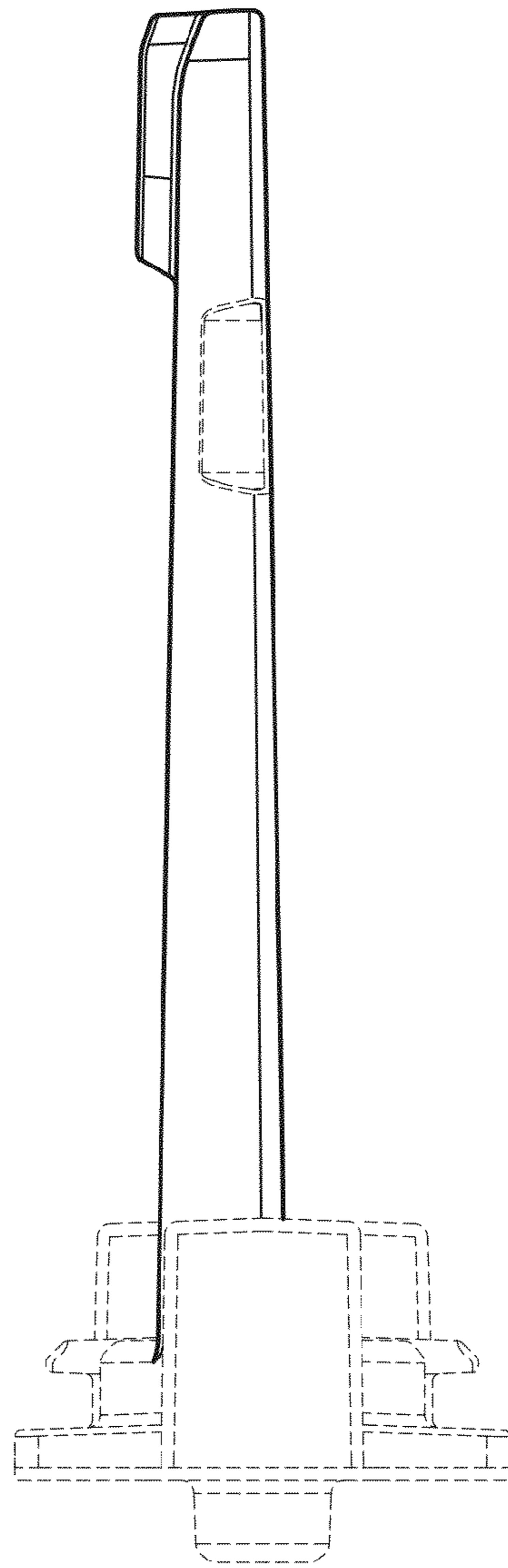


FIG. 3

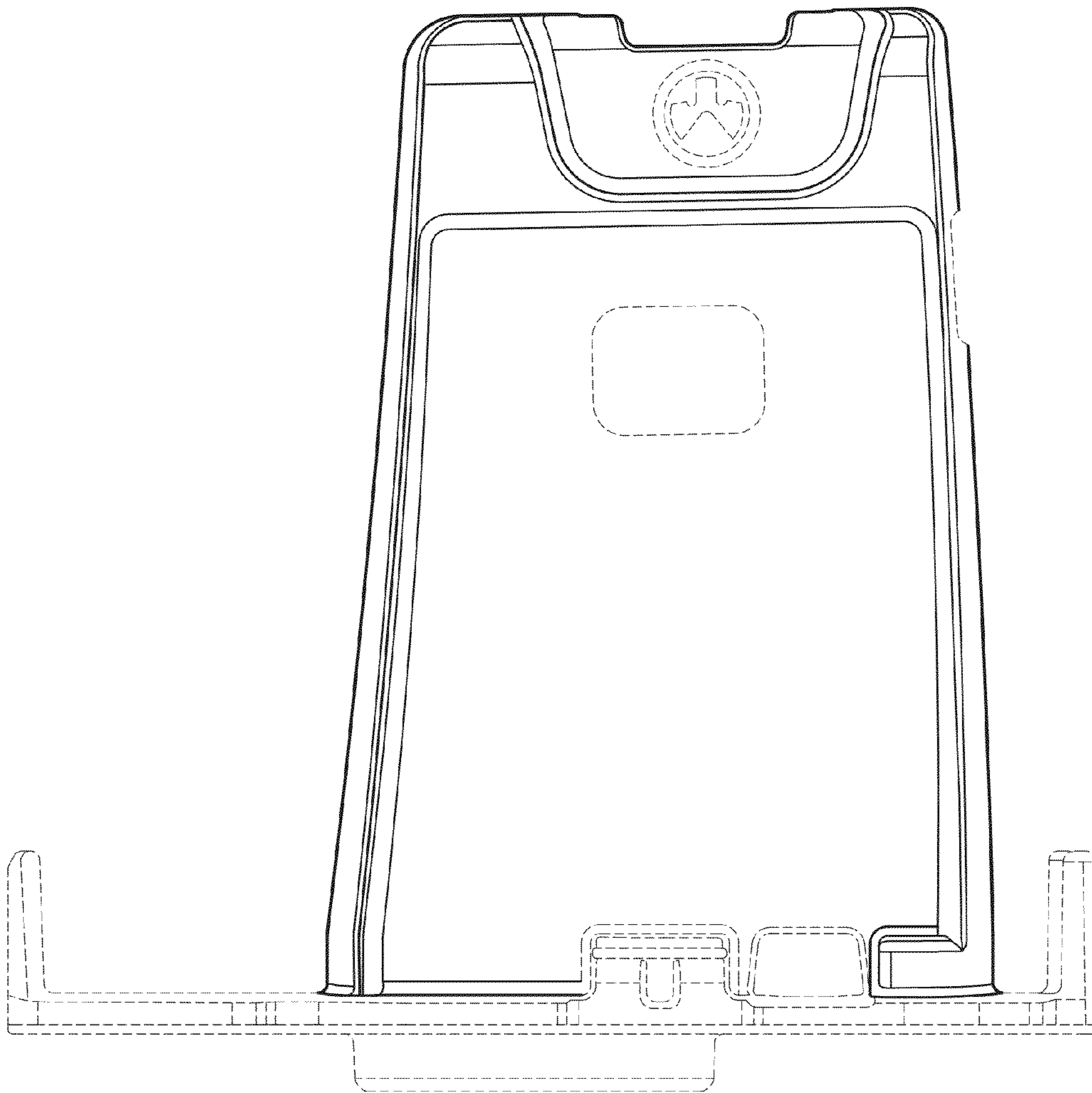


FIG. 4

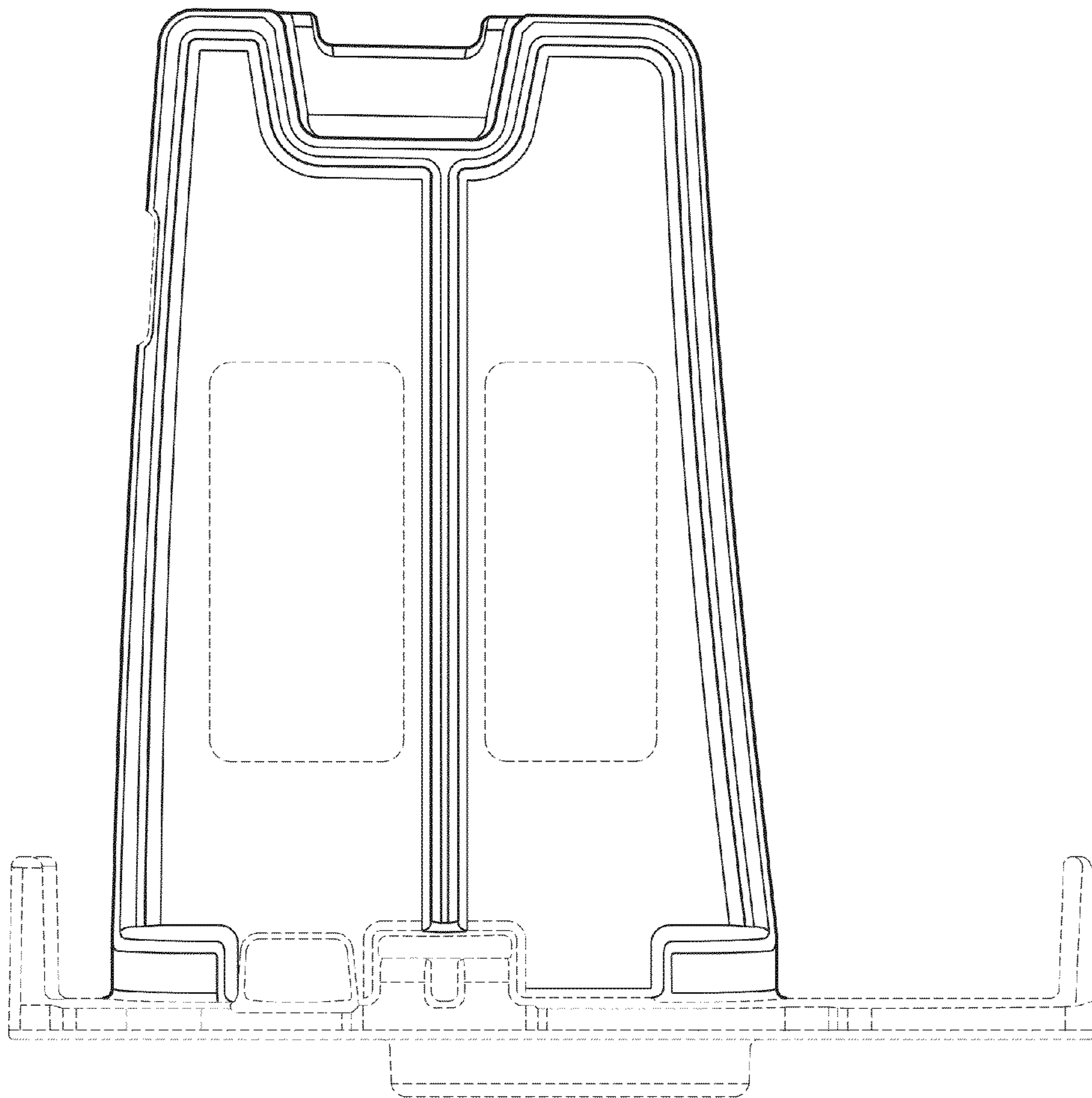


FIG. 5

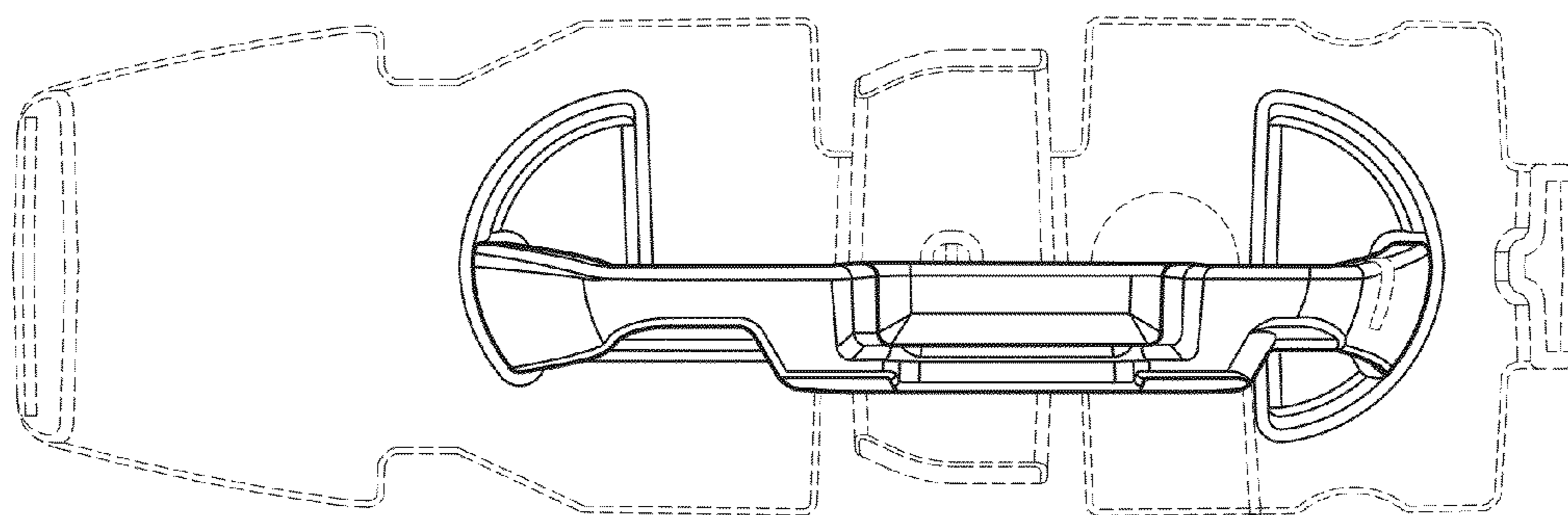


FIG. 6

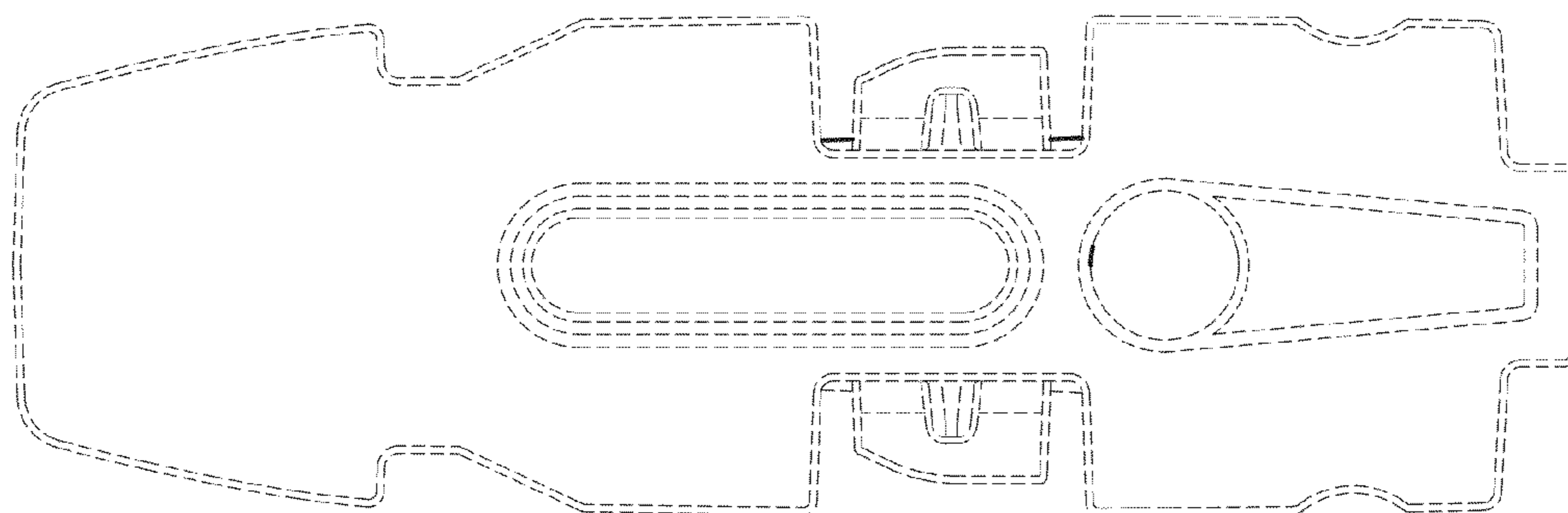


FIG. 7

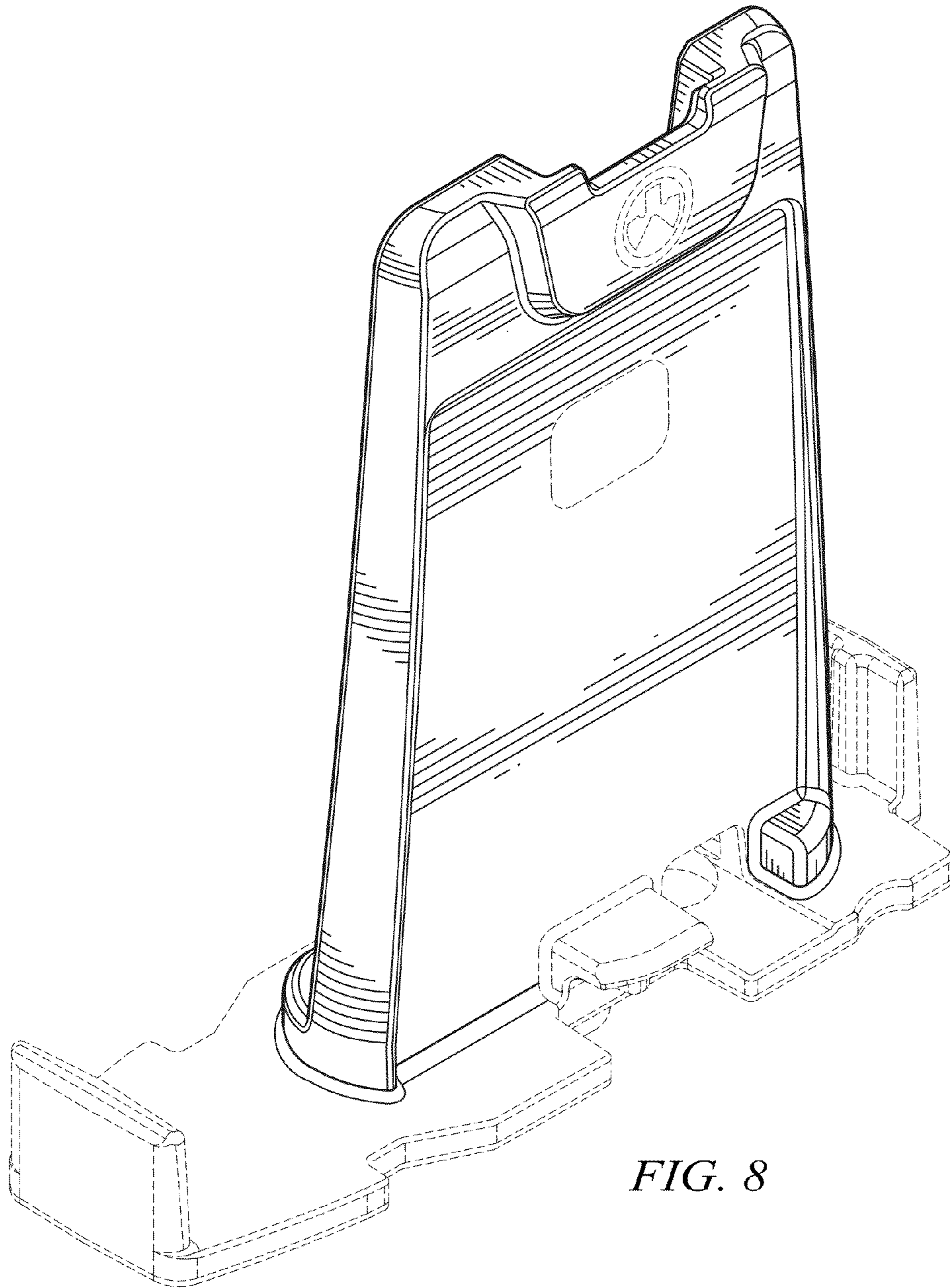


FIG. 8

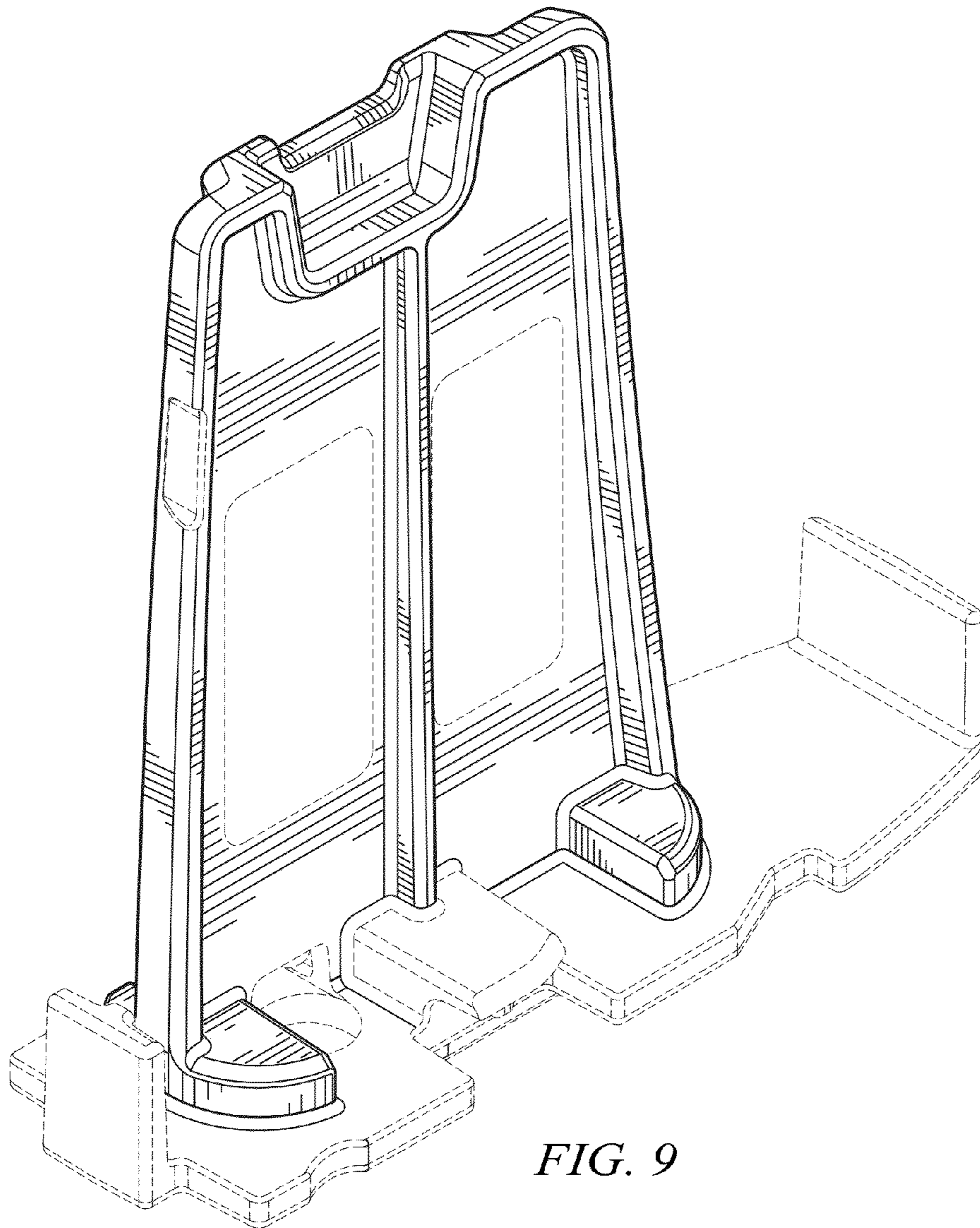


FIG. 9

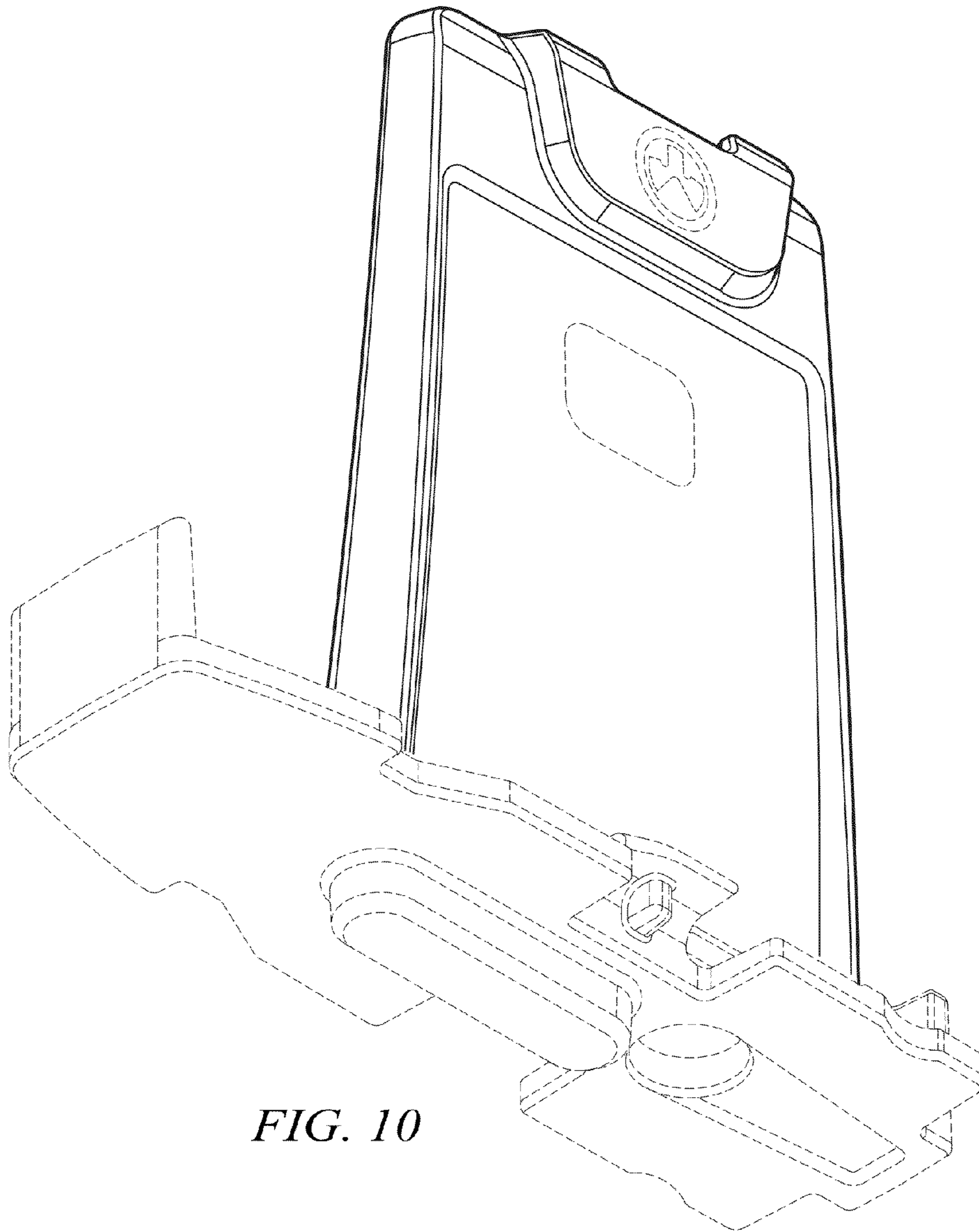


FIG. 10

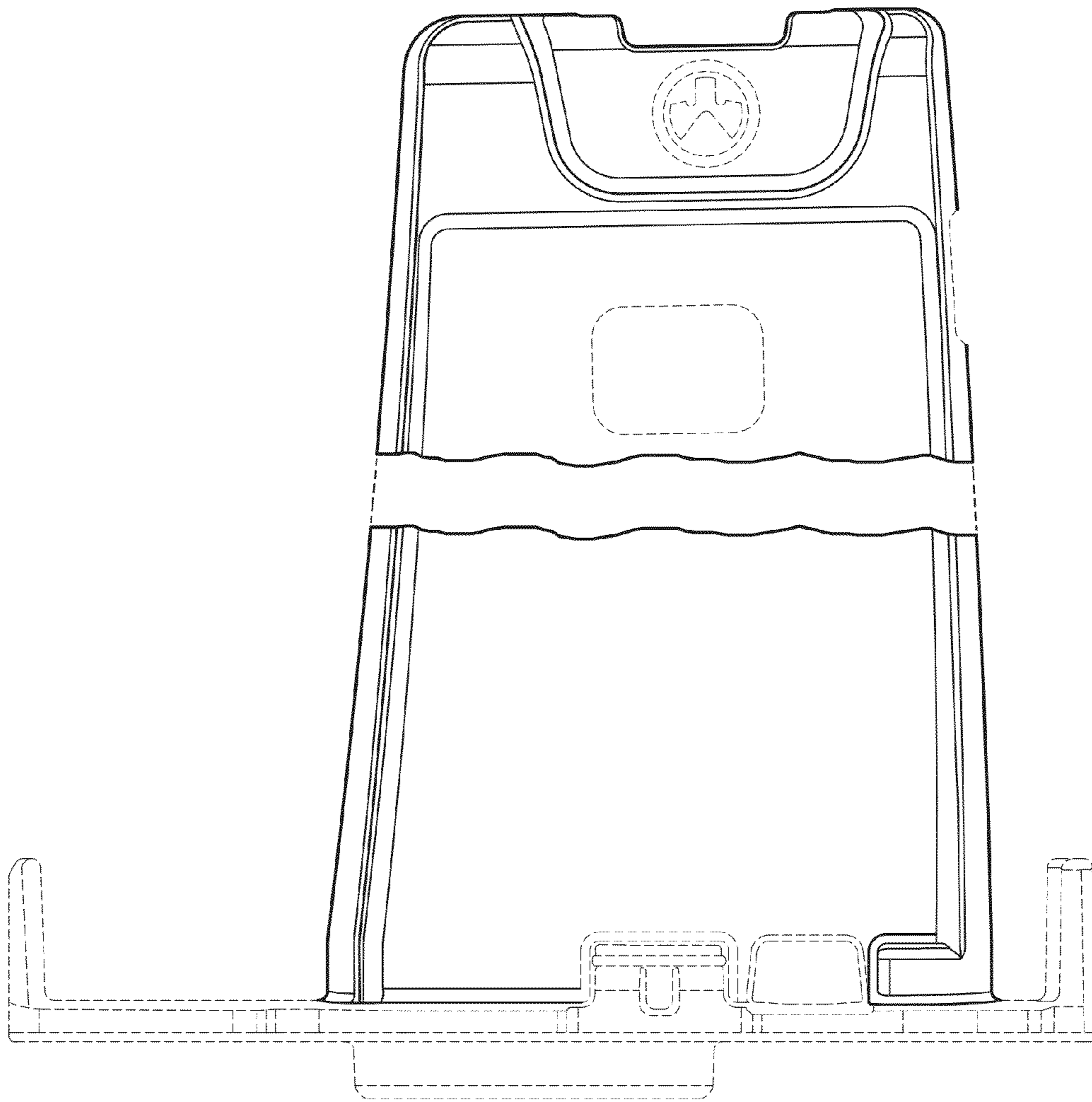


FIG. 11