



US00D718833S

(12) **United States Design Patent**
Huang

(10) **Patent No.:** **US D718,833 S**

(45) **Date of Patent:** **** Dec. 2, 2014**

(54) **FIREARM ACCESSORY MOUNT WITH
ADJUSTABLE ANGLE RAIL**

(71) Applicant: **Qiming Huang**, Windsor (CA)

(72) Inventor: **Qiming Huang**, Windsor (CA)

(**) Term: **14 Years**

(21) Appl. No.: **29/460,257**

(22) Filed: **Jul. 9, 2013**

(51) **LOC (10) Cl.** **22-01**

(52) **U.S. Cl.**
USPC **D22/108**

(58) **Field of Classification Search**

CPC F41G 1/00; F41G 1/01; F41G 1/02;
F41G 1/06; F41G 1/065; F41G 1/08; F41G
1/10; F41G 1/12; F41G 1/14; F41G 1/30;
F41G 1/32; F41G 1/38; F41G 1/40; F41G
1/42; F41G 1/44; F41G 1/46; F41G 1/383;
F41G 1/387; F41G 1/393; F41G 3/00; F41G
3/005; F41G 3/02; F41G 3/04; F41G 3/06;
F41G 3/14; F41G 11/002; F41G 11/003;
F41G 11/004; F41G 11/005
USPC D22/108-109; 42/111, 133, 119, 122;
359/399, 823, 744; D16/132, 130, 133,
D16/330, 134

See application file for complete search history.

(56) **References Cited**

U.S. PATENT DOCUMENTS

D672,839	S	*	12/2012	Ding	D22/109
D681,767	S	*	5/2013	Li et al.	D22/109
D691,237	S	*	10/2013	Beckett et al.	D22/109
D693,897	S	*	11/2013	Javorsky	D22/108
2006/0207156	A1	*	9/2006	Larue	42/127
2010/0122485	A1	*	5/2010	Kincel	42/146
2010/0162611	A1	*	7/2010	Samson et al.	42/125

* cited by examiner

Primary Examiner — Michael A Pratt

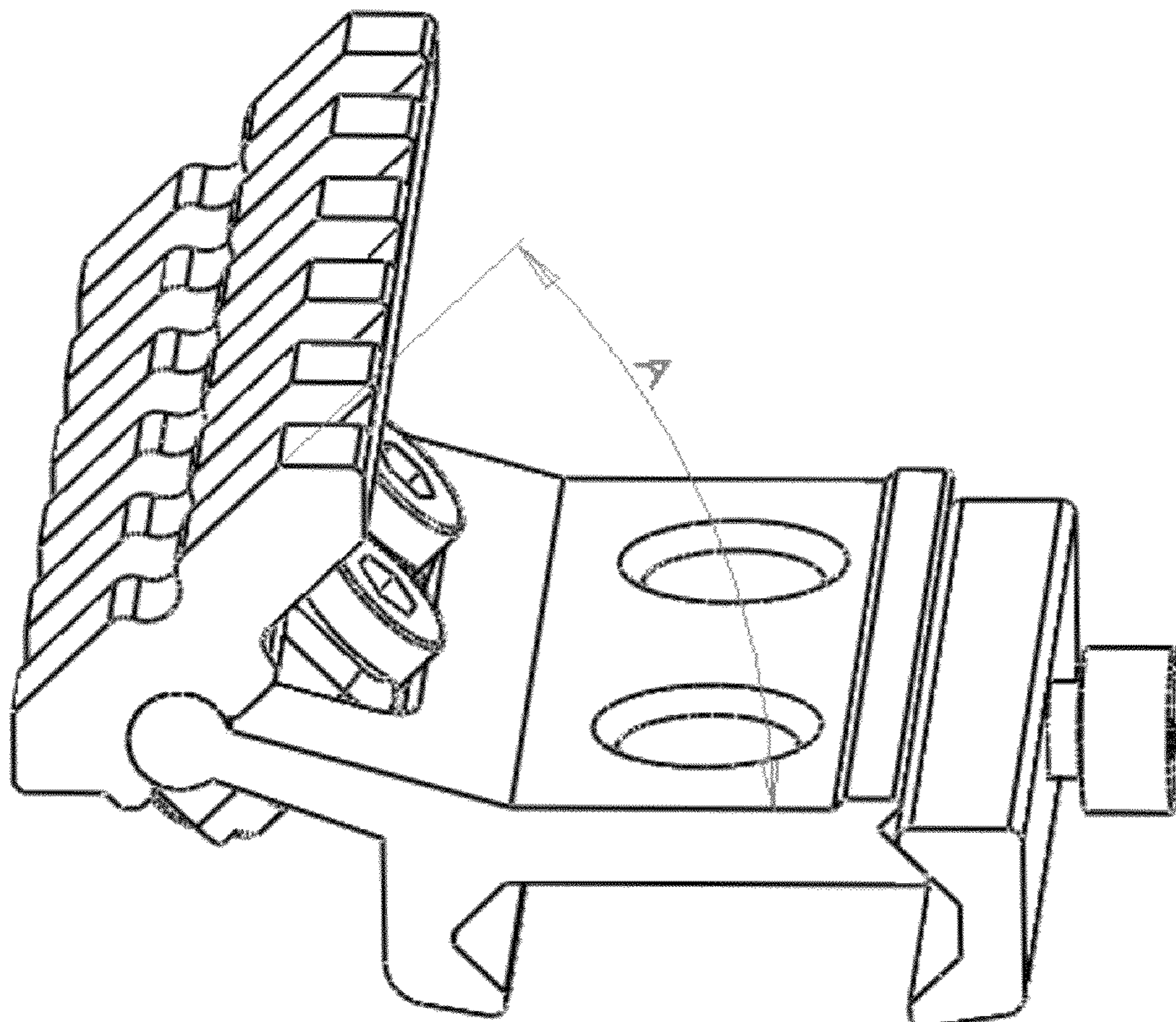
(57) **CLAIM**

The ornamental design for a firearm accessory mount with adjustable angle rail, as shown and described.

DESCRIPTION

FIG. 1 is a top isometric perspective view of a firearm accessory mount with adjustable angle rail in a higher position
FIG. 2 is a front view of angle A equal 45 degree of FIG. 1
FIG. 3 is a front view of angle A bigger than 90 degree of FIG. 1
FIG. 4 is a rear view of FIG. 1
FIG. 5 is a left view of FIG. 1
FIG. 6 is a right view of FIG. 1
FIG. 7 is a top view of FIG. 1
FIG. 8 is a bottom view of FIG. 1
FIG. 9 is a top isometric perspective view of a firearm accessory mount with adjustable angle rail in a lower position; and, FIG. 10 is a front view of angle A bigger than 60 degree of FIG. 9.

1 Claim, 10 Drawing Sheets



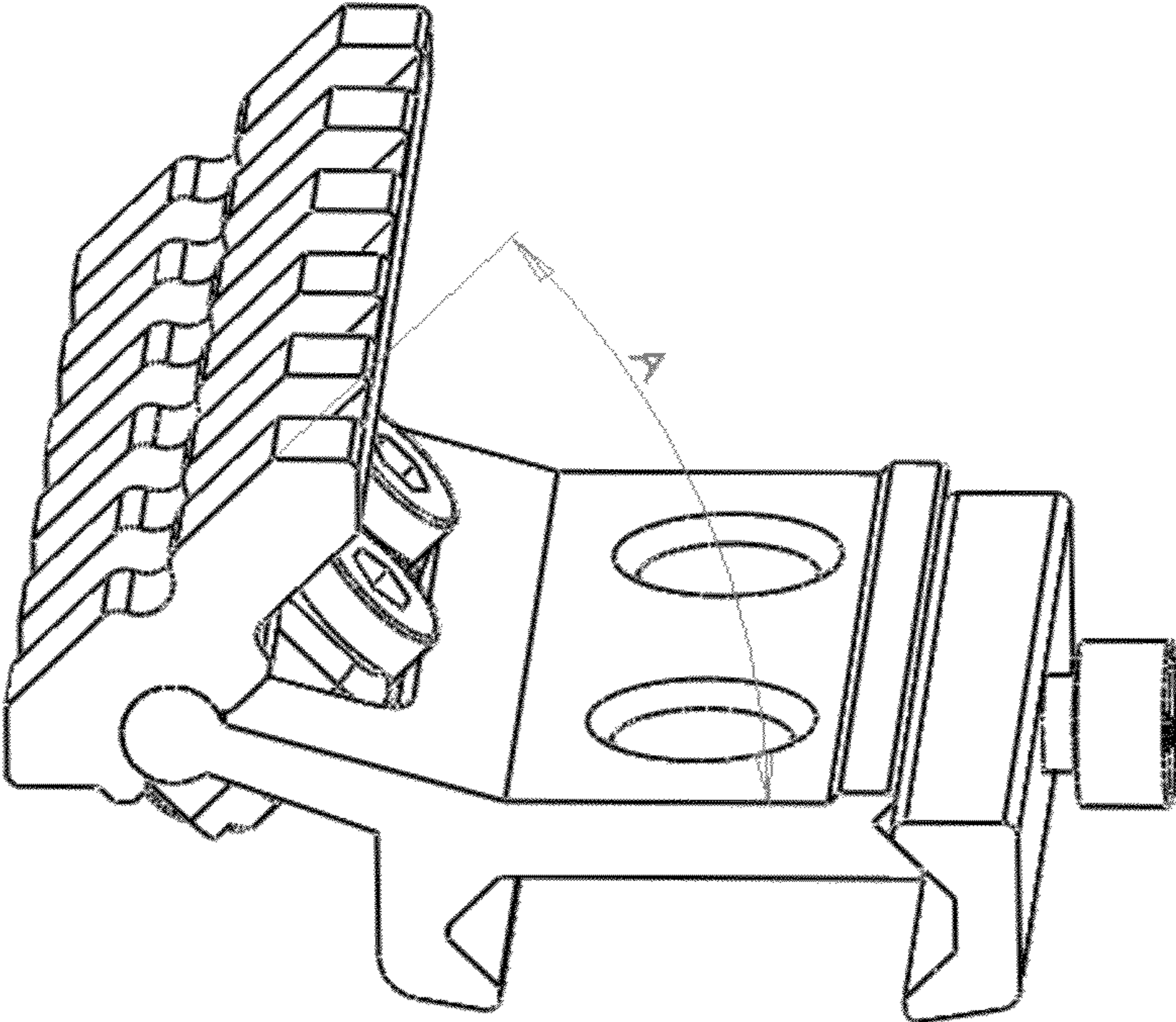


FIG. 1

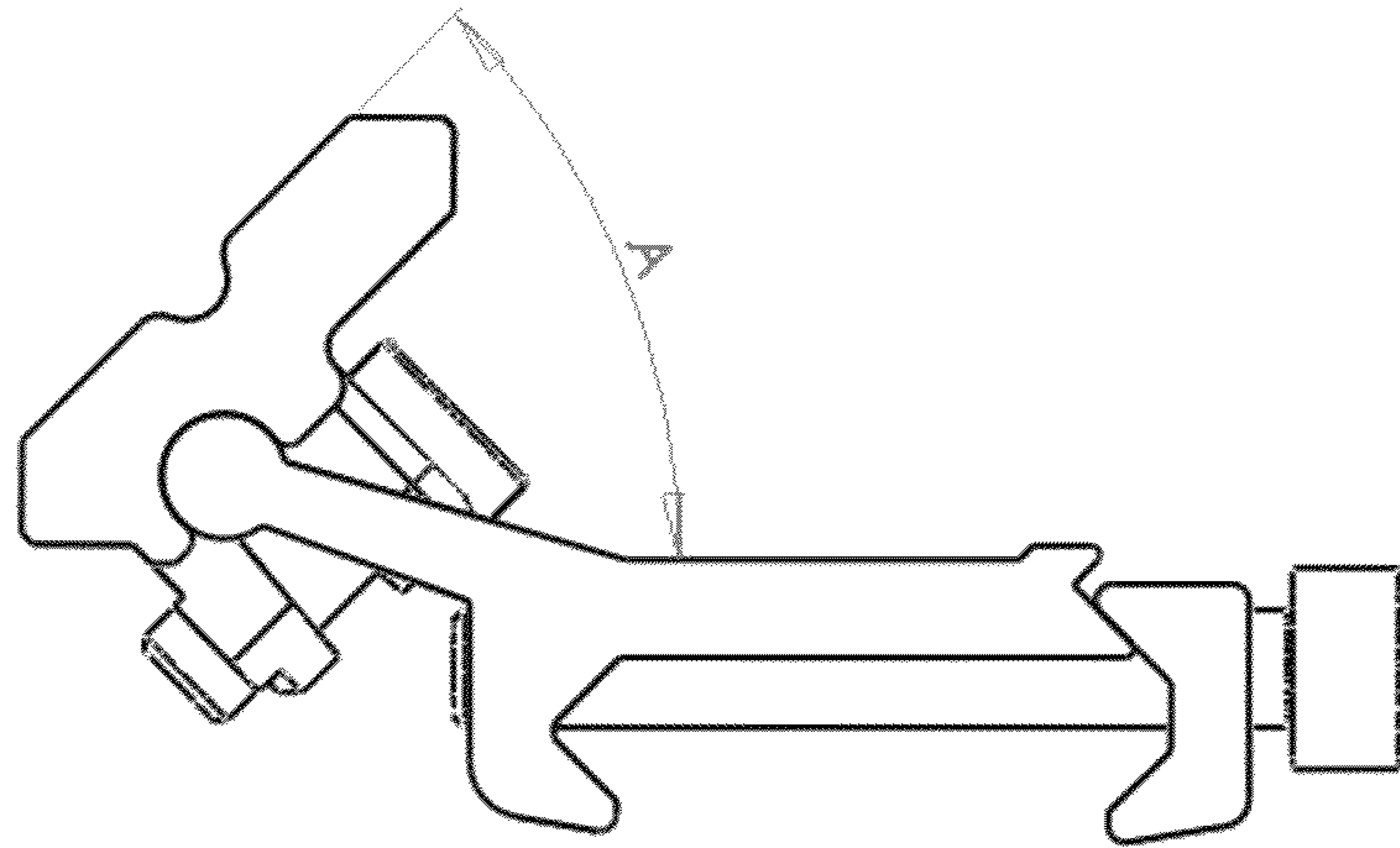


FIG.2

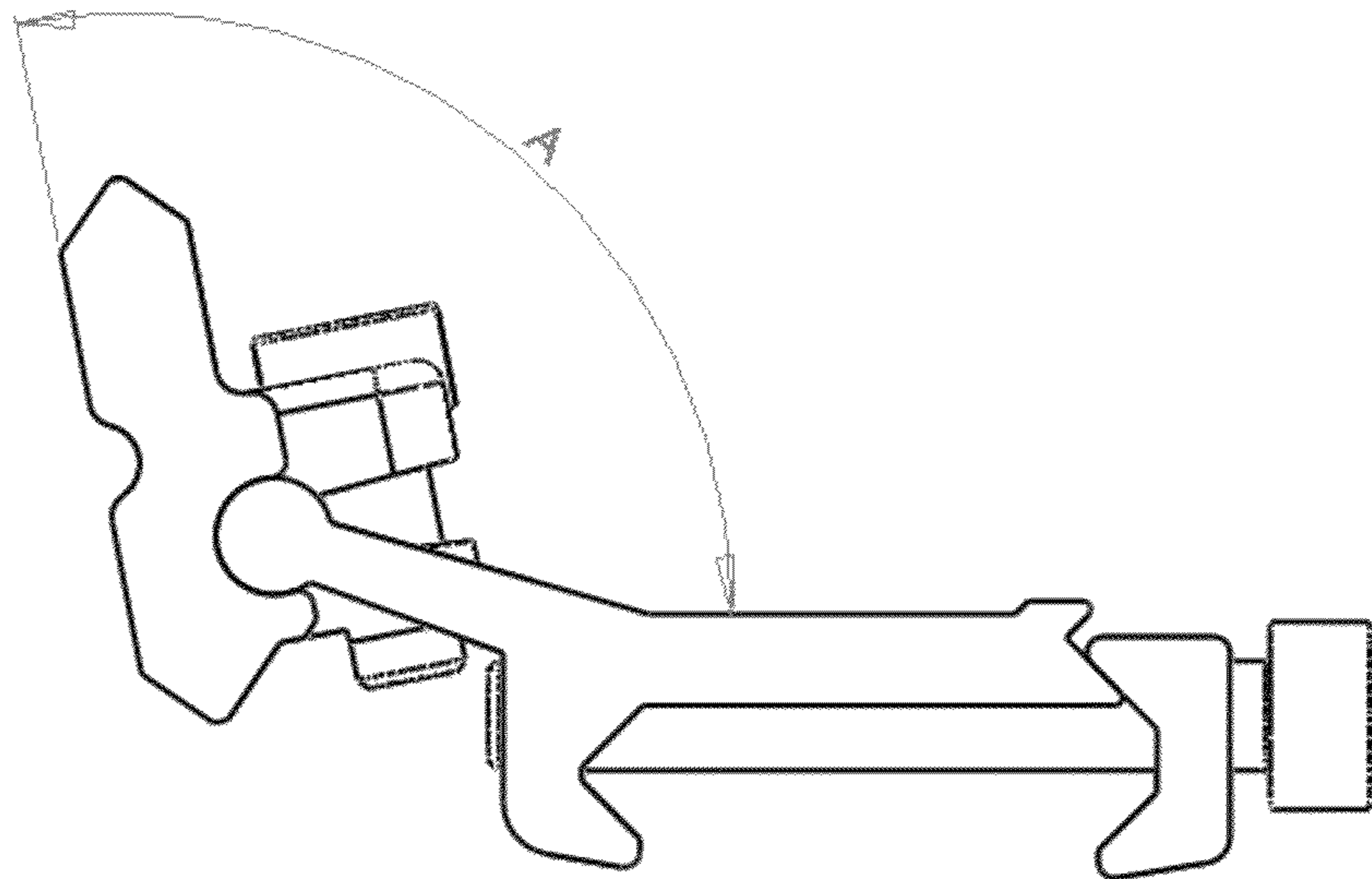


FIG.3

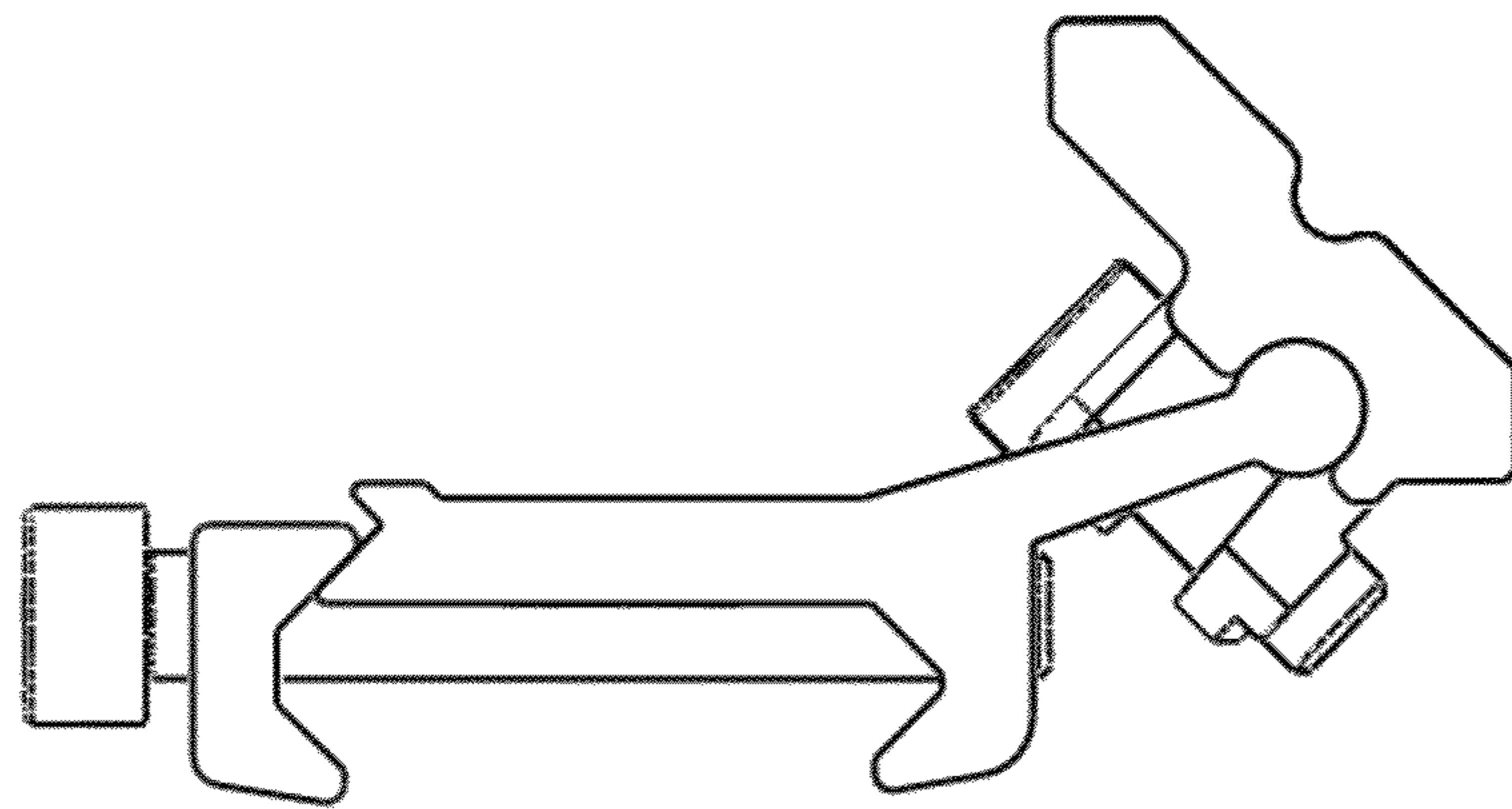


FIG.4

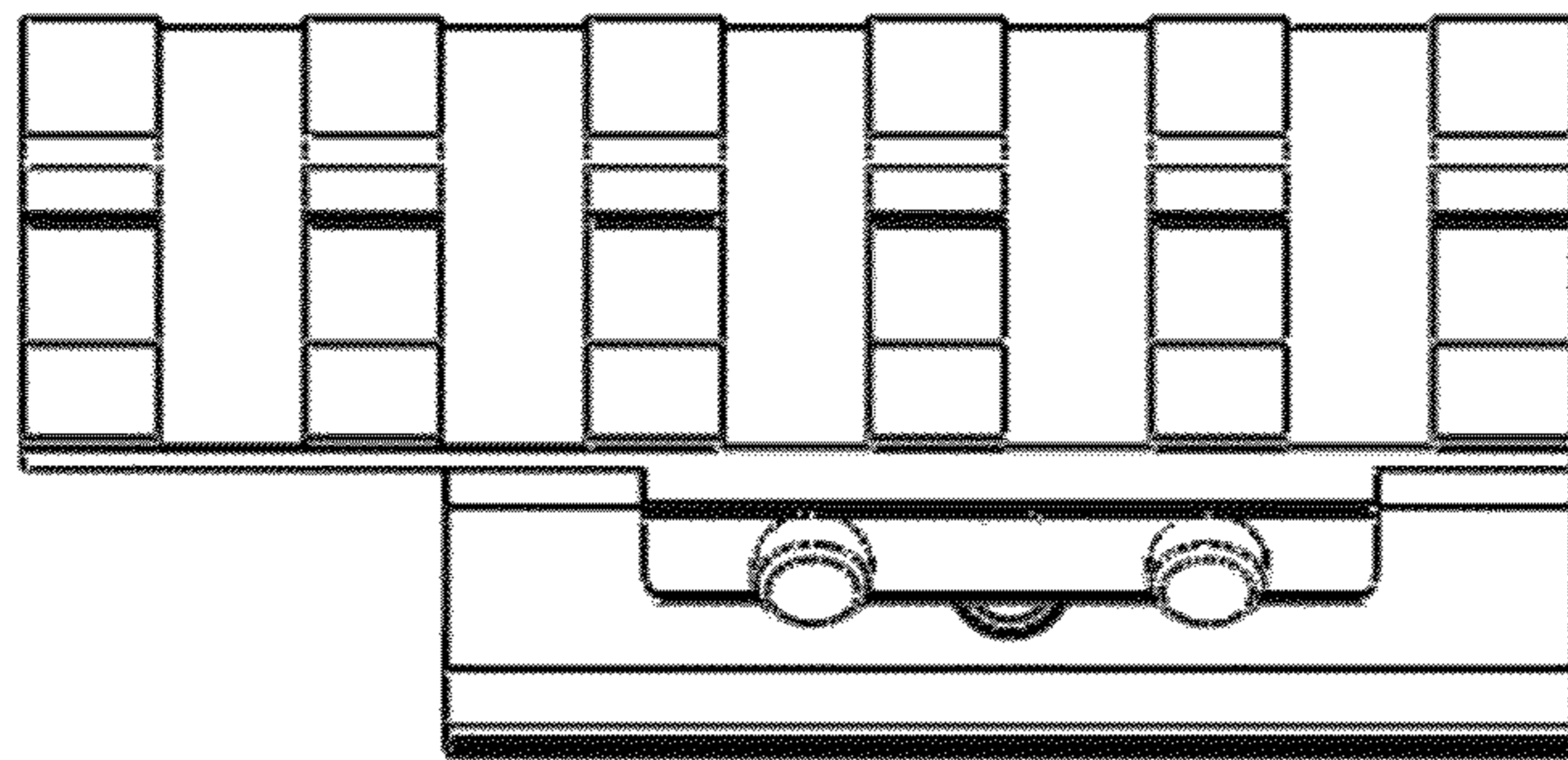


FIG.5

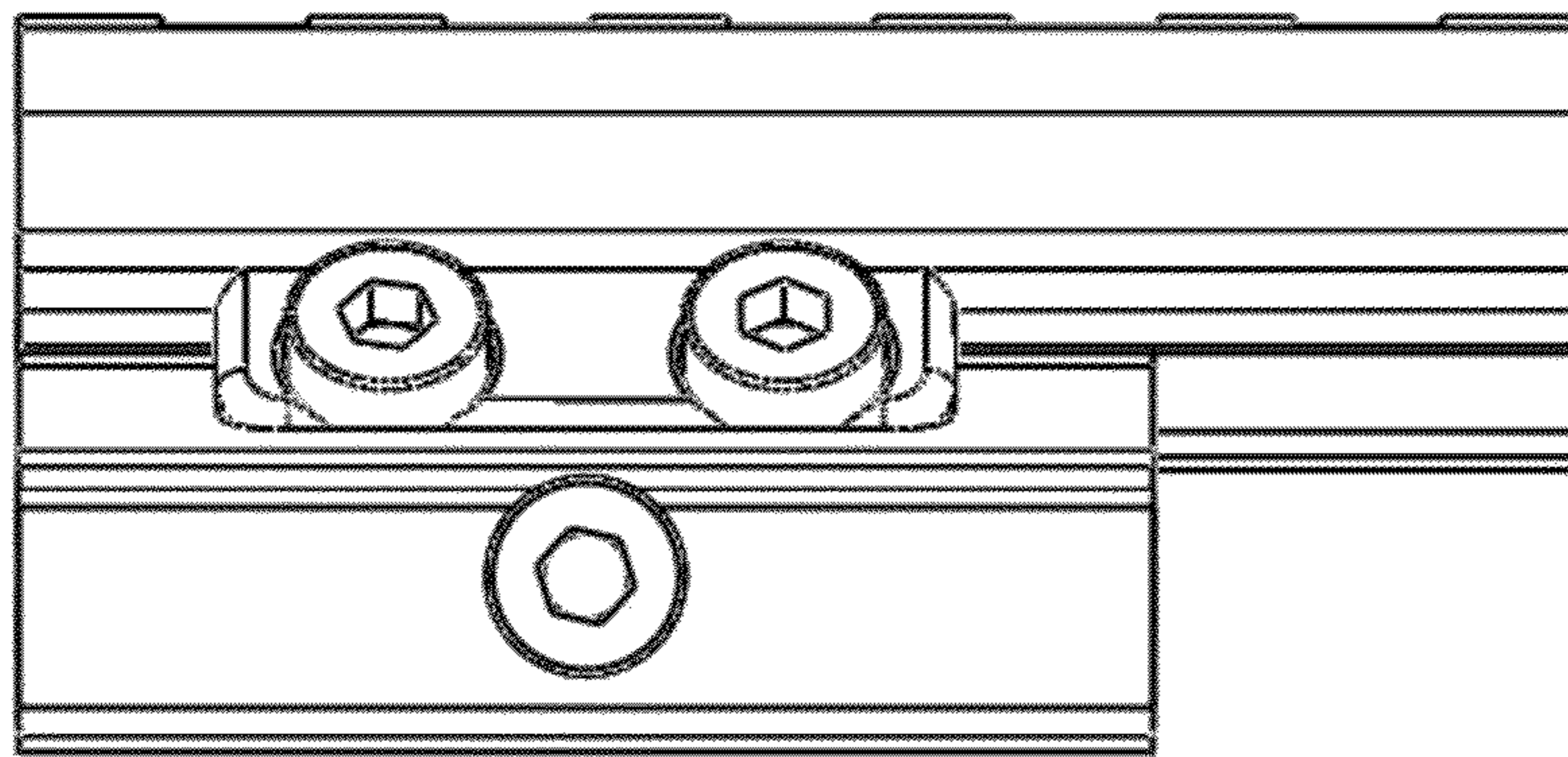


FIG. 6

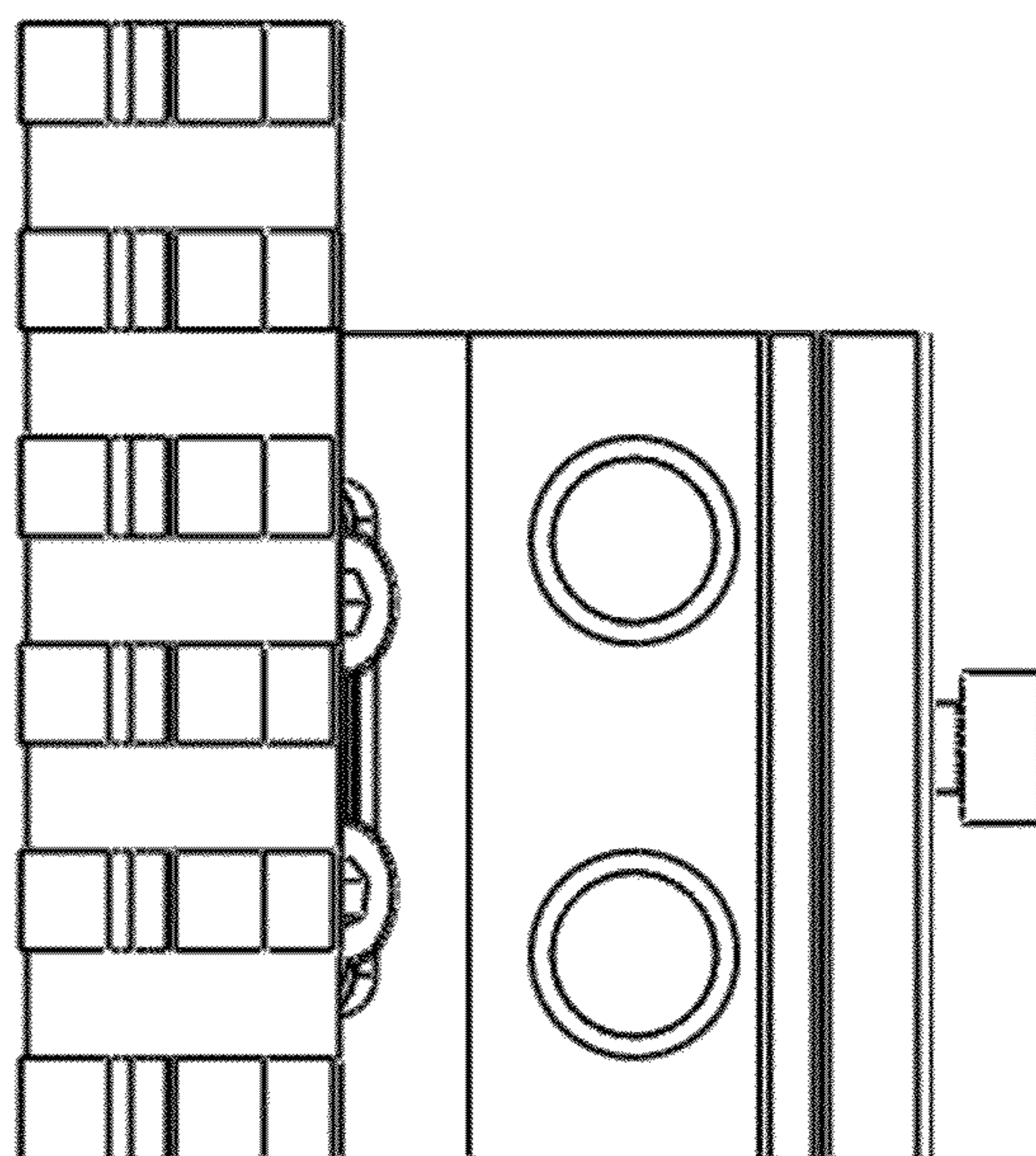


FIG.7

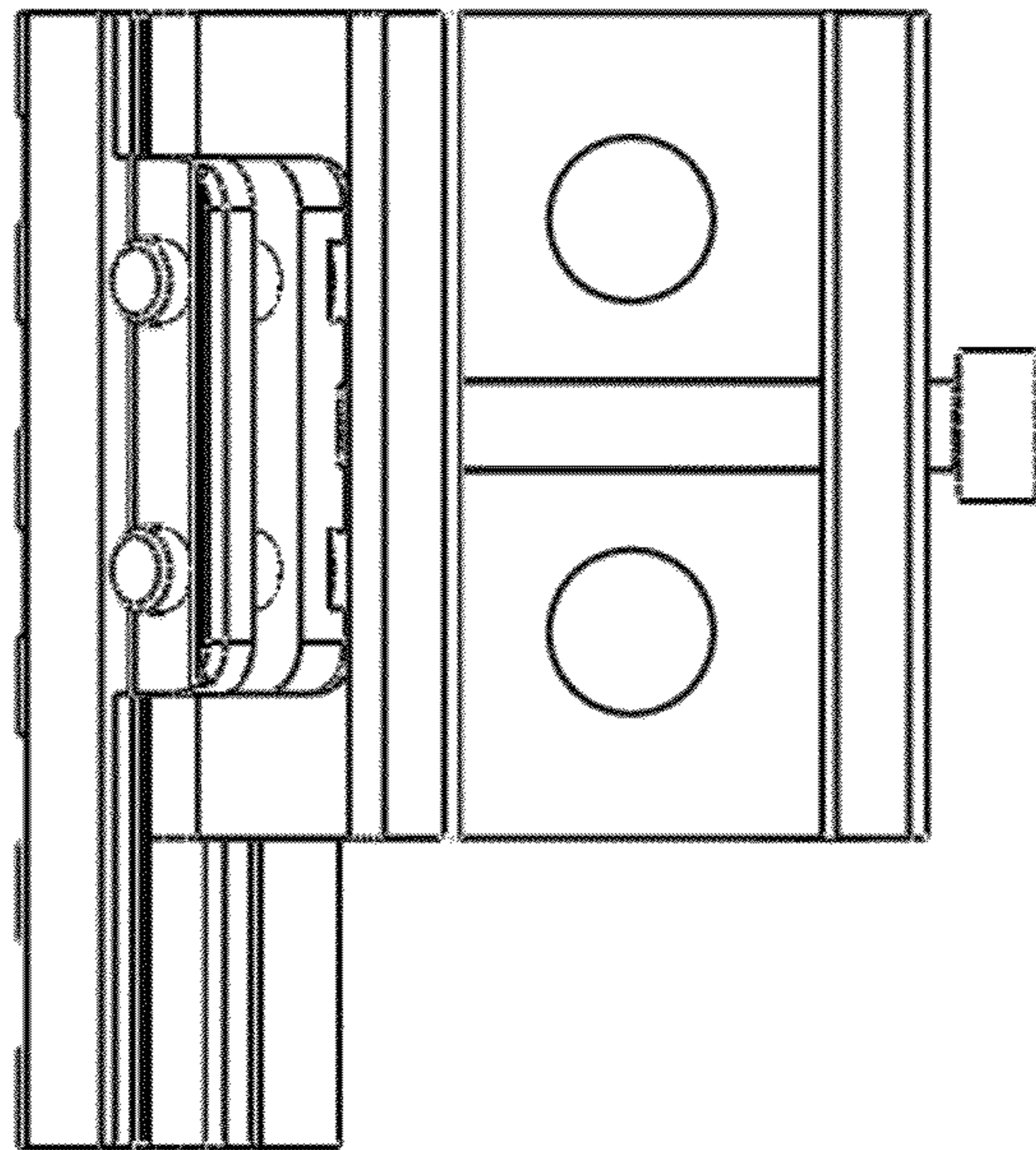


FIG.7

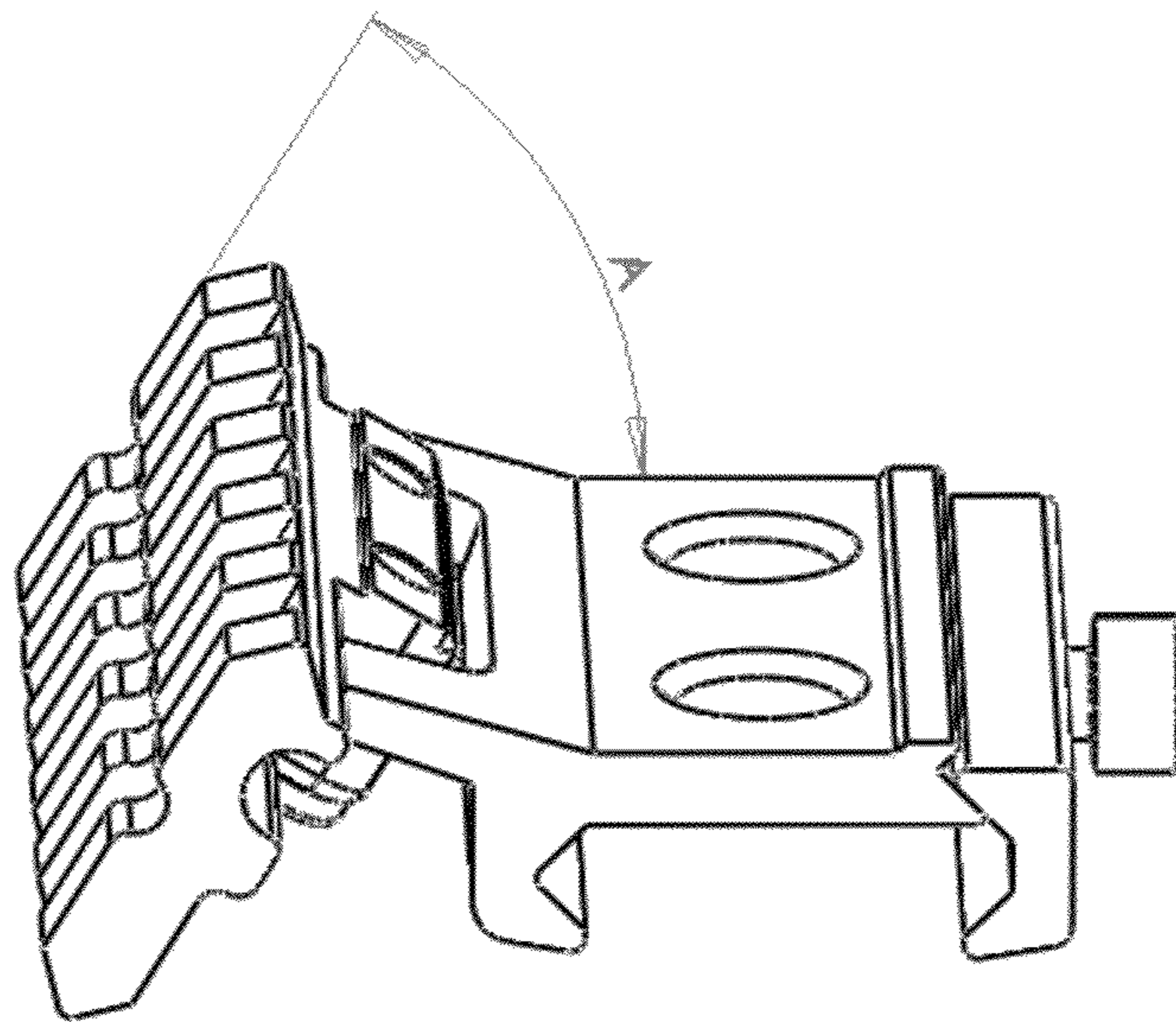


FIG. 9

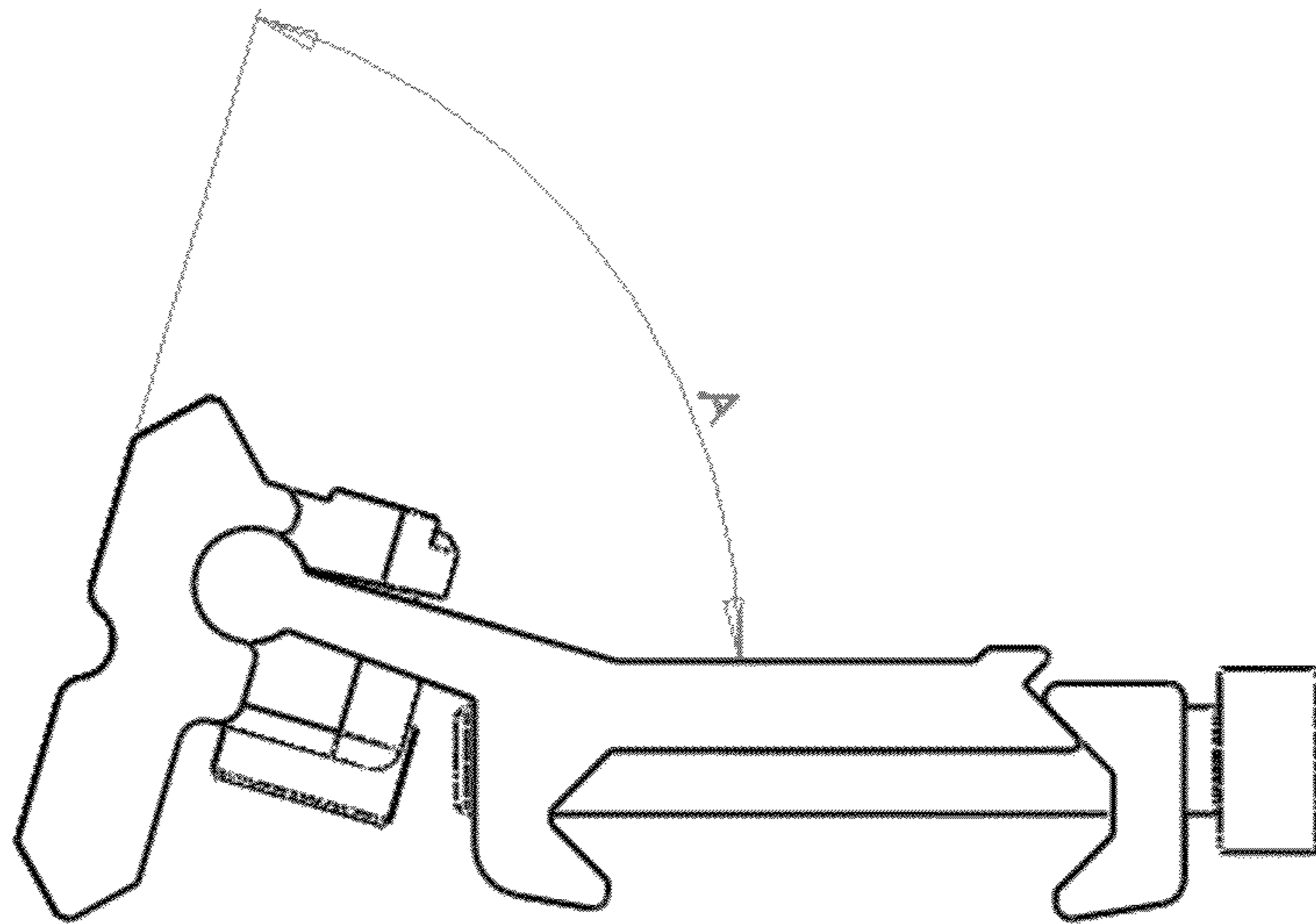


FIG. 10