



US00D718831S

(12) **United States Design Patent**
Barnett

(10) **Patent No.:** **US D718,831 S**

(45) **Date of Patent:** **** Dec. 2, 2014**

(54) **CROSSBOW**

(56) **References Cited**

(71) Applicant: **Barnett Outdoors, LLC**, Tarpon Springs, FL (US)

U.S. PATENT DOCUMENTS

(72) Inventor: **David A. Barnett**, Tarpon Springs, FL (US)

D420,087	S	*	2/2000	Kay	D22/108
D547,818	S	*	7/2007	Wolfe et al.	D22/103
7,810,480	B2	*	10/2010	Shepley et al.	124/25
7,997,258	B2	*	8/2011	Shepley et al.	124/25
D645,110	S	*	9/2011	Cook et al.	D22/108
D674,859	S	*	1/2013	Robbins et al.	D22/108
8,627,811	B1	*	1/2014	Darlington	124/25
8,701,641	B2	*	4/2014	Biafore, Jr.	124/25
8,701,642	B2	*	4/2014	Biafore et al.	124/25
D710,964	S	*	8/2014	Chvala	D22/108
2010/0116260	A1	*	5/2010	Malucelli	124/25.6
2014/0069402	A1	*	3/2014	McPherson	124/25

(73) Assignee: **Barnett Outdoors, LLC**, Tarpon Springs, FL (US)

(**) Term: **14 Years**

* cited by examiner

(21) Appl. No.: **29/459,653**

(22) Filed: **Jul. 2, 2013**

Primary Examiner — Michael A Pratt

(51) **LOC (10) Cl.** **22-01**

(74) *Attorney, Agent, or Firm* — Jones Walker LLP

(52) **U.S. Cl.**
USPC **D22/107**

(57) **CLAIM**

I claim the ornamental design for a crossbow, as shown and described.

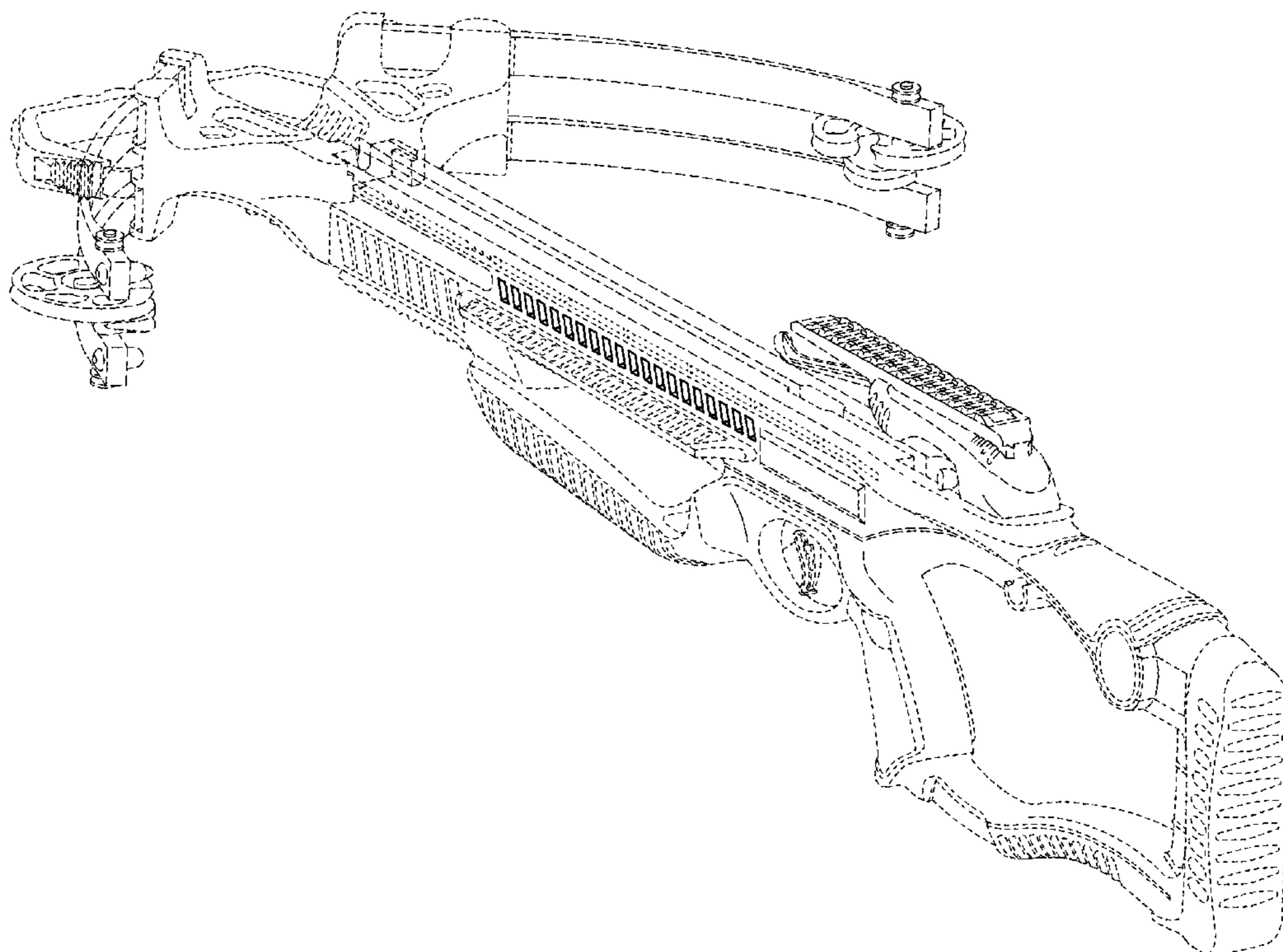
(58) **Field of Classification Search**
CPC F41C 23/00; F41C 23/02; F41C 23/04;
F41C 23/06; F41C 23/08; F41C 23/10;
F41C 23/12; F41C 23/14; F41C 23/16;
F41C 23/18; F41C 23/20; F41C 23/22
USPC D22/107; 124/23.1, 25.6, 86, 88;
D21/572

DESCRIPTION

FIG. 1 is a perspective, side view thereof;
FIG. 2 is a right side view thereof; and,
FIG. 3 is a left side view thereof.
The broken lines in FIGS. 1-3 are for illustrative purposes and form no part of the claimed design.

See application file for complete search history.

1 Claim, 2 Drawing Sheets



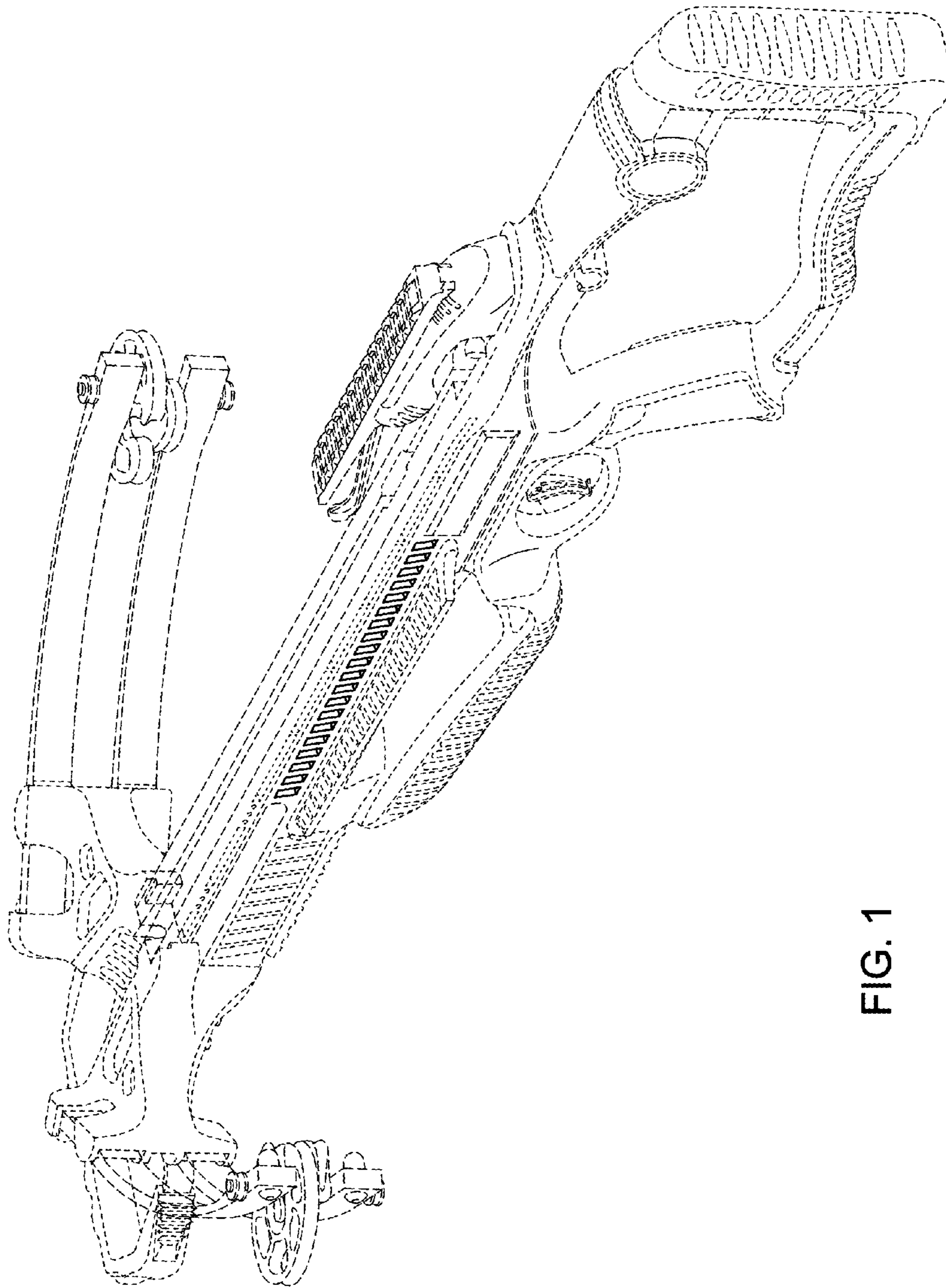


FIG. 1

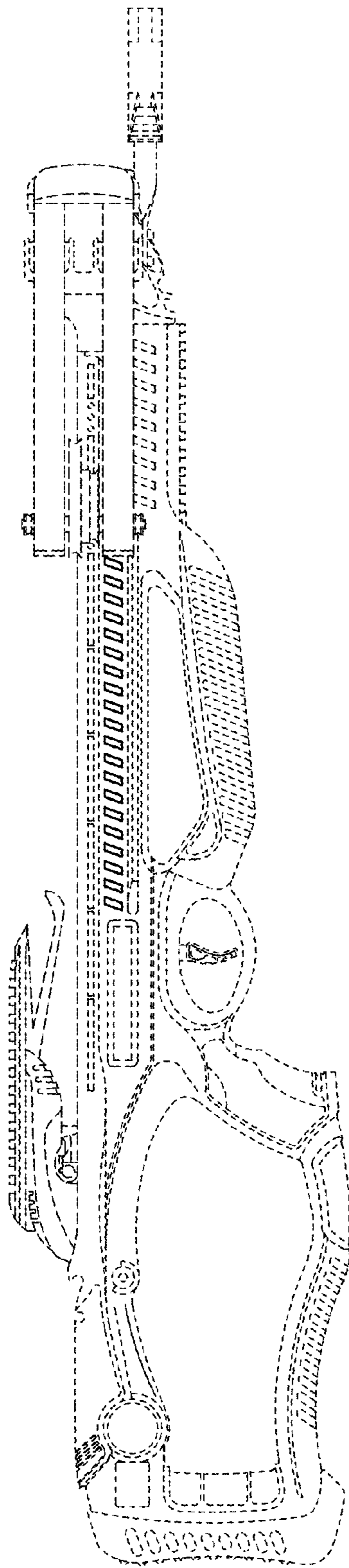


FIG. 2

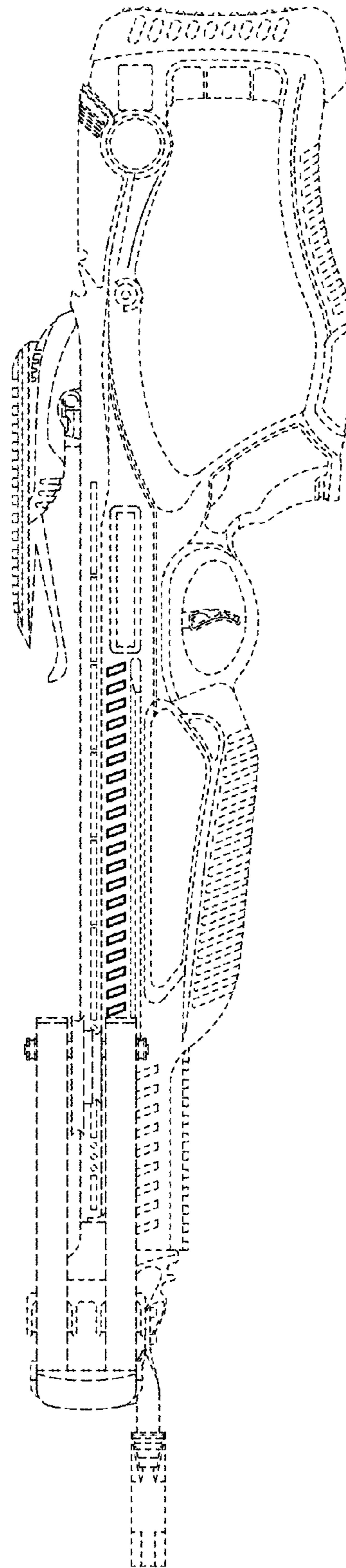


FIG. 3