



US00D718828S

(12) **United States Design Patent**  
**Jin**

(10) **Patent No.:** **US D718,828 S**  
(45) **Date of Patent:** **\*\* Dec. 2, 2014**

(54) **TENT**

(71) Applicant: **Ki Ho Jin**, Goyang (KR)

(72) Inventor: **Ki Ho Jin**, Goyang (KR)

(\*\*) Term: **14 Years**

(21) Appl. No.: **29/475,768**

(22) Filed: **Dec. 6, 2013**

(51) **LOC (10) Cl.** ..... **21-04**

(52) **U.S. Cl.**  
USPC ..... **D21/834**

(58) **Field of Classification Search**  
USPC ..... D21/834, 836-839; D25/13, 16, 17, 18,  
D25/20, 26, 32, 56, 57; 135/87, 90, 93, 94,  
135/96-99, 115, 117, 121, 124-128, 133,  
135/135, 138, 143, 157, 900, 908;  
296/159-161

See application file for complete search history.

(56) **References Cited**

U.S. PATENT DOCUMENTS

2,742,912	A *	4/1956	Blanchard	.....	135/94
2,810,390	A	10/1957	Wallace et al.		
D208,748	S	9/1967	Kirkham		
D222,204	S	10/1971	Perry		
D224,761	S	9/1972	Pohl et al.		
4,665,935	A *	5/1987	Nichols	.....	135/125
4,709,718	A	12/1987	Nichols		
D325,063	S	3/1992	Cantwell		
D325,239	S	4/1992	Norman		
D331,441	S	12/1992	Choi		
D332,986	S	2/1993	Choi		
5,301,705	A *	4/1994	Zheng	.....	135/126
D351,011	S	9/1994	Tsai		
D358,191	S	5/1995	November		
D370,149	S	5/1996	Stratton		
5,660,197	A *	8/1997	Boe et al.	.....	135/116
D403,041	S	12/1998	Funk et al.		

D444,840	S	7/2001	Glover et al.		
6,325,086	B1 *	12/2001	Shinner et al.	.....	135/126
D457,590	S	5/2002	Olson et al.		
D470,559	S	2/2003	Funk		
6,892,742	B2 *	5/2005	Wang	.....	135/125
7,140,376	B2	11/2006	Zheng		
D534,614	S	1/2007	Galloway et al.		
7,185,666	B2 *	3/2007	Chai	.....	135/135
D562,930	S	2/2008	Poulson et al.		
D605,723	S	12/2009	Rausch et al.		
D609,766	S	2/2010	Wilgus et al.		
7,721,746	B2	5/2010	Yul et al.		
7,954,504	B2 *	6/2011	Price et al.	.....	135/156
D652,885	S	1/2012	Frey		
D652,886	S *	1/2012	Pedersen et al.	.....	D21/834
8,113,224	B2	2/2012	Yul et al.		
D687,116	S	7/2013	Jin		
D695,376	S *	12/2013	Jin	.....	D21/834
D696,373	S *	12/2013	Jin	.....	D21/834
D702,791	S *	4/2014	Jin	.....	D21/834
2005/0178421	A1 *	8/2005	Holub	.....	135/156
2007/0044827	A1	3/2007	Yul et al.		

\* cited by examiner

*Primary Examiner* — Cynthia M Chin

(74) *Attorney, Agent, or Firm* — John H. Choi

(57) **CLAIM**

The ornamental design for a tent, as shown and described.

**DESCRIPTION**

FIG. 1 is a perspective view of a tent showing my new design;  
 FIG. 2 is a front view thereof;  
 FIG. 3 is a rear view thereof;  
 FIG. 4 is a left side view thereof, the right side view thereof  
 being a mirror image of that which is shown;  
 FIG. 5 is a top view thereof; and,  
 FIG. 6 is a bottom view thereof.  
 The features shown in broken lines depict environmental or  
 other associated subject matter and form no part of the  
 claimed design.

**1 Claim, 6 Drawing Sheets**

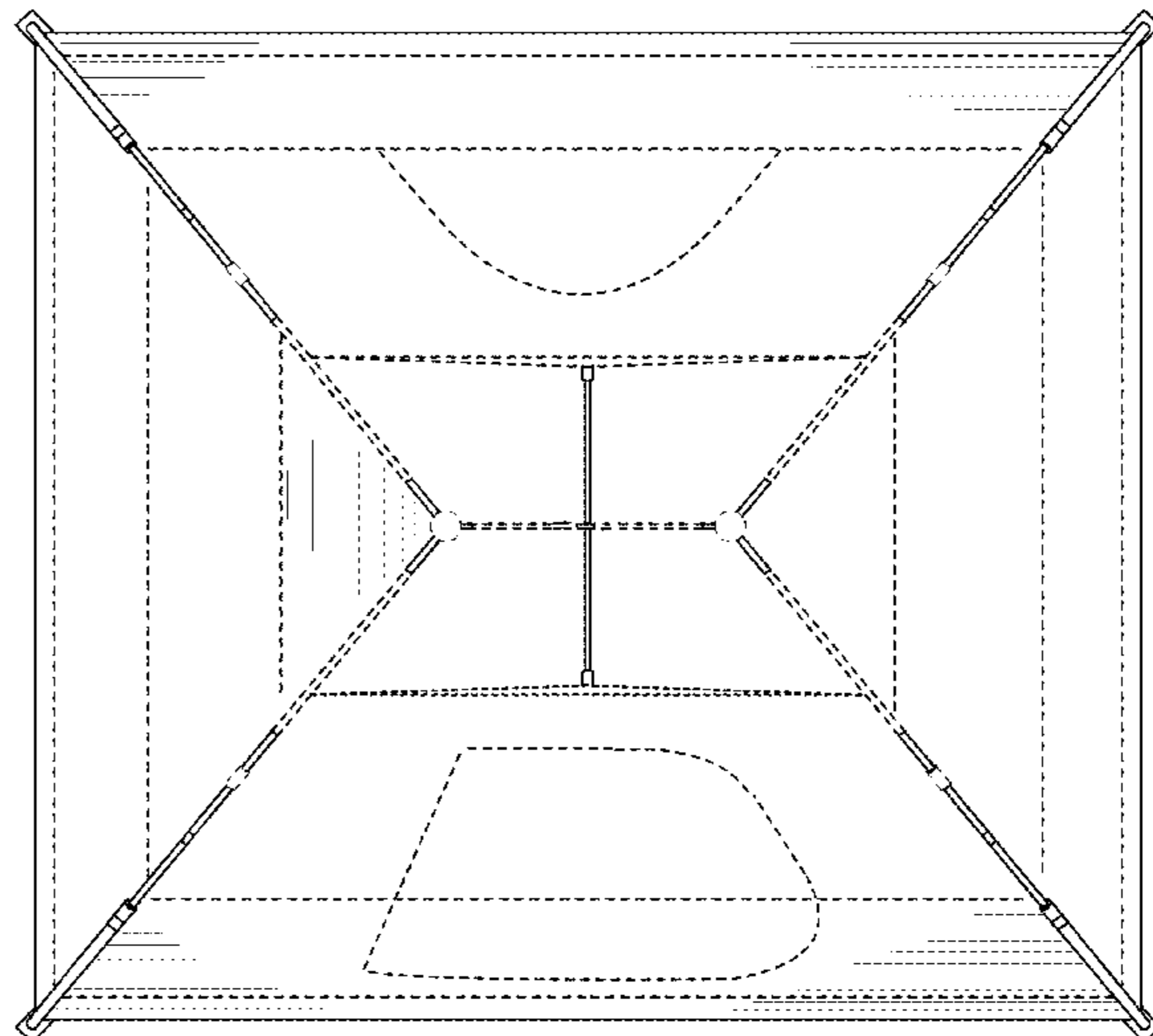
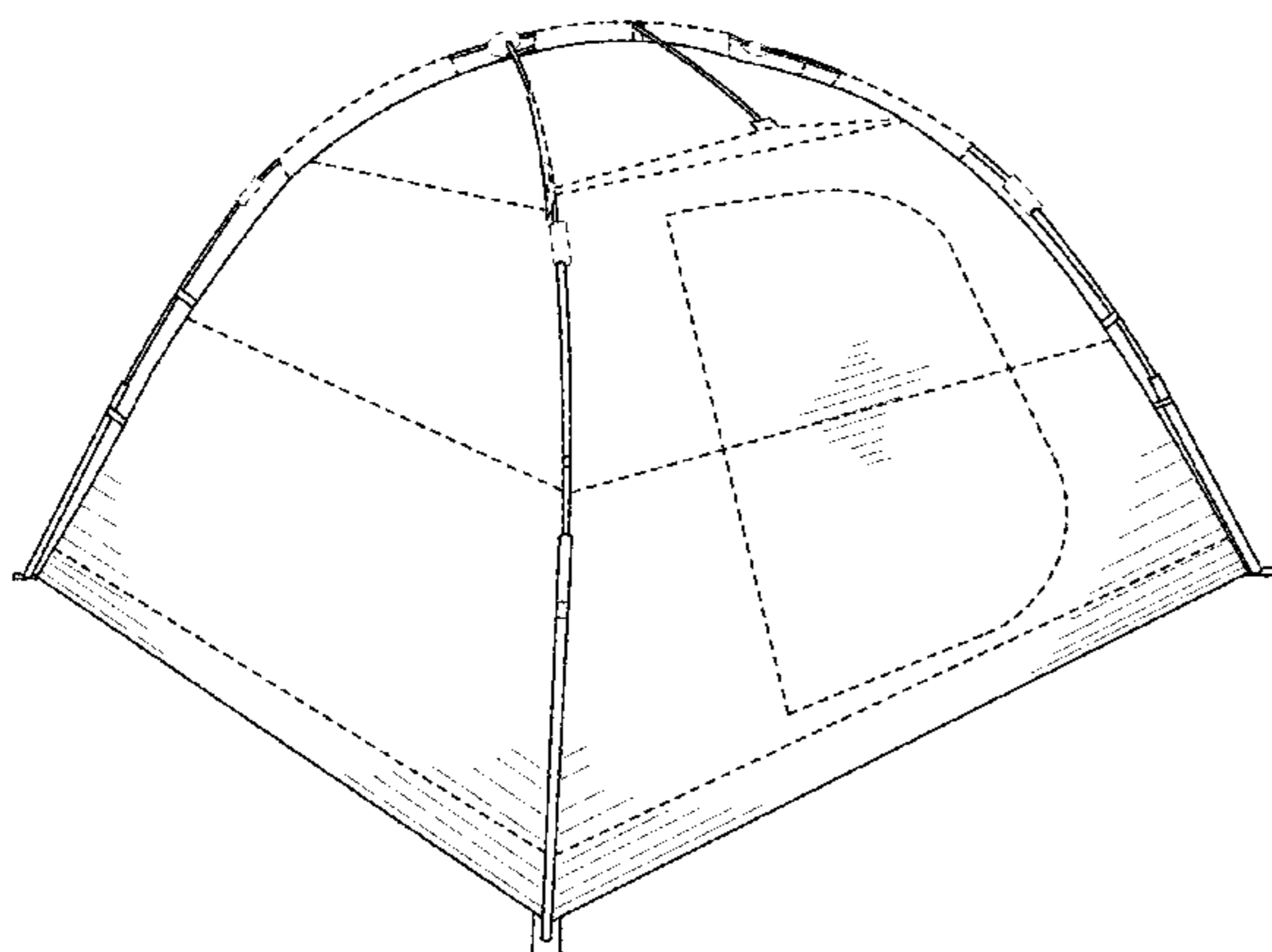


Figure 1

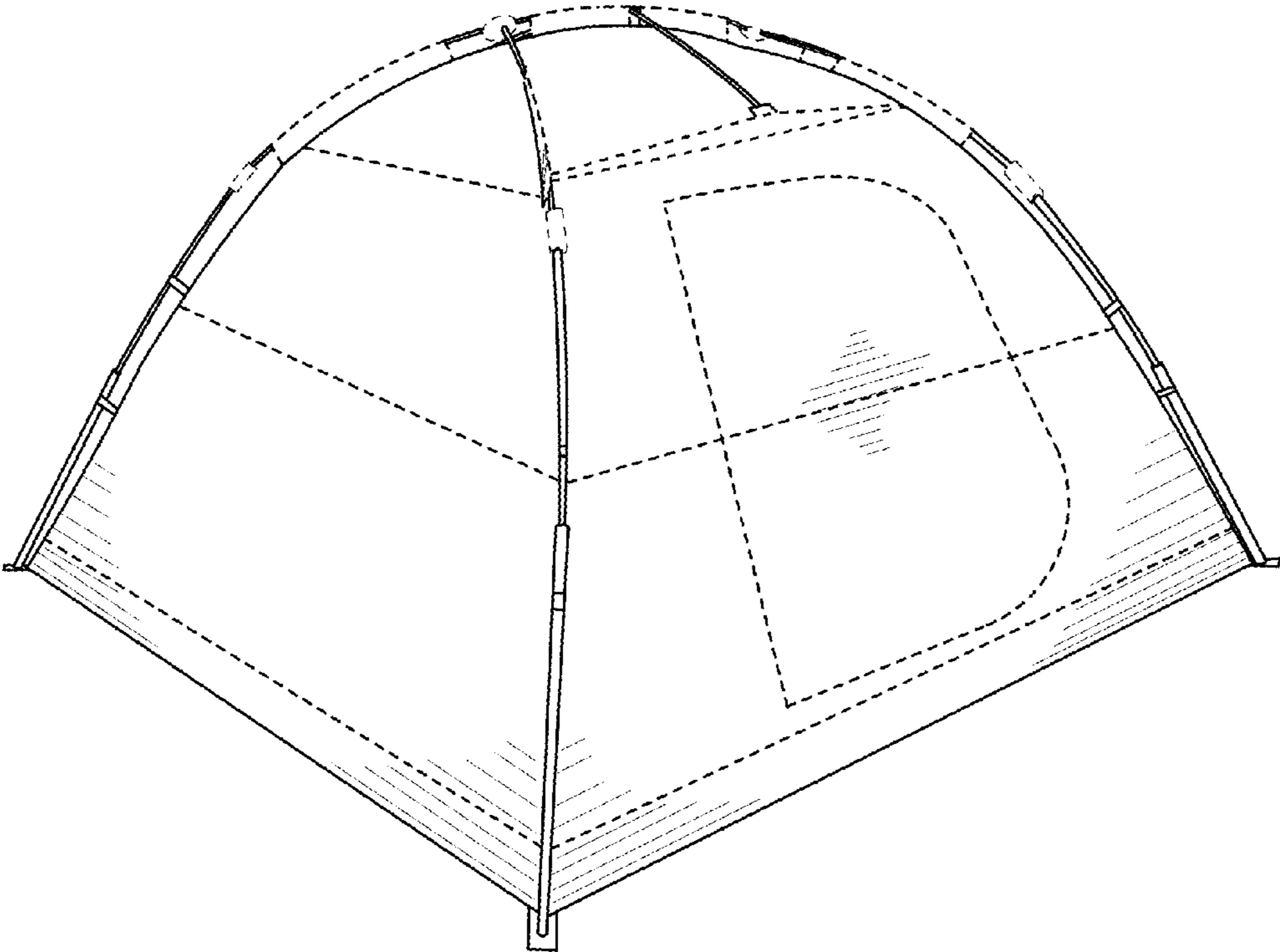


Figure 2

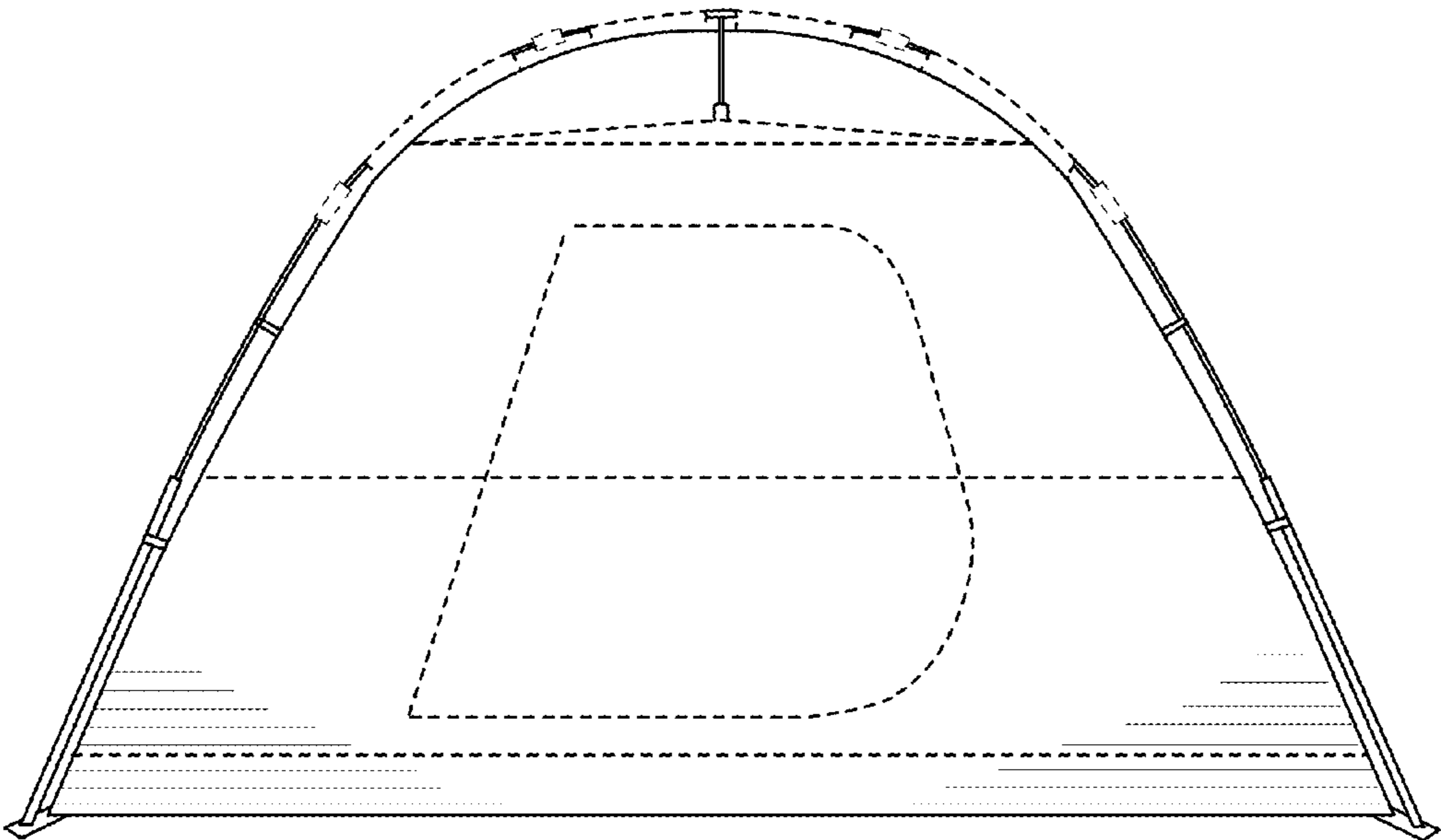


Figure 3

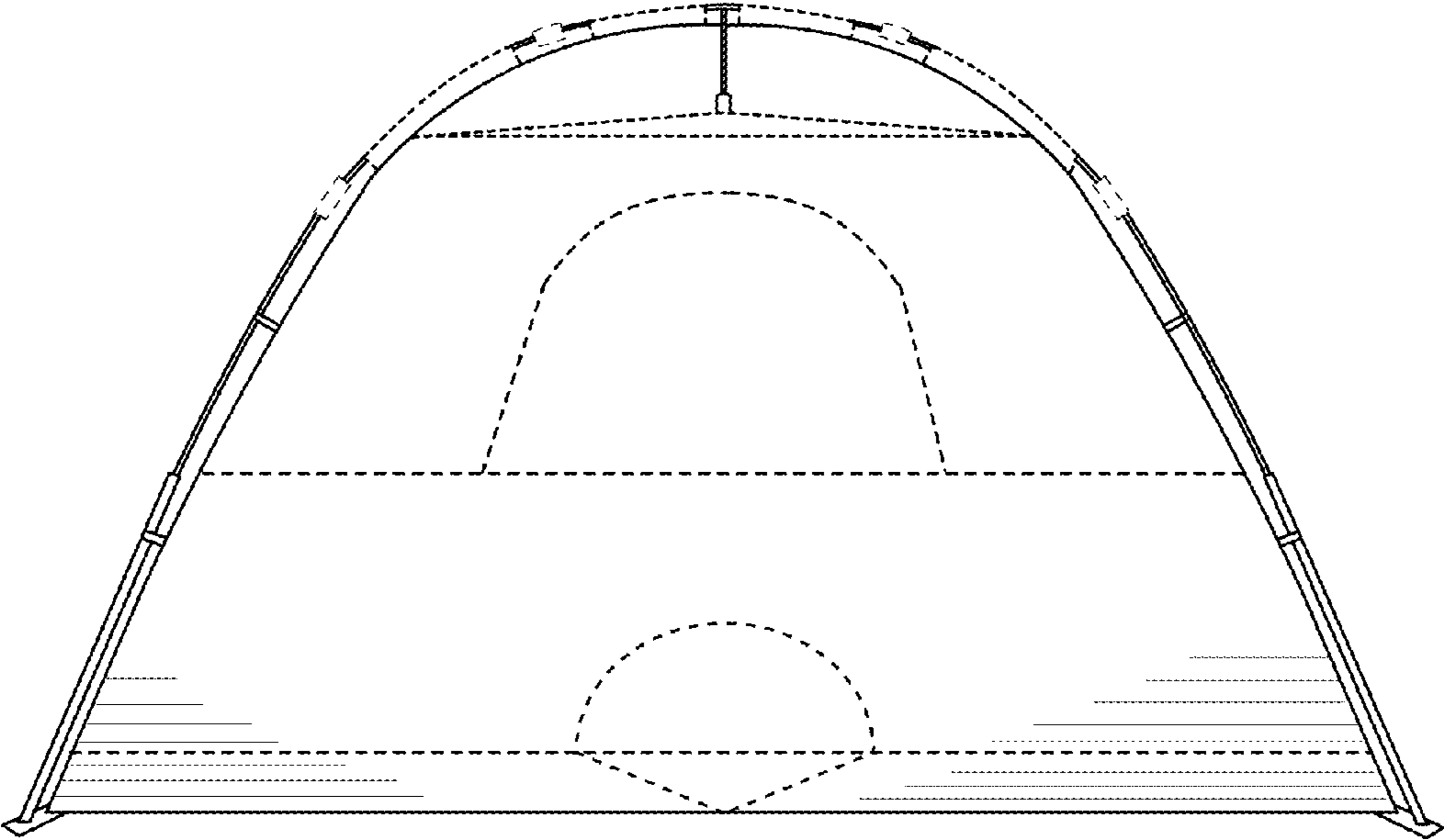


Figure 4

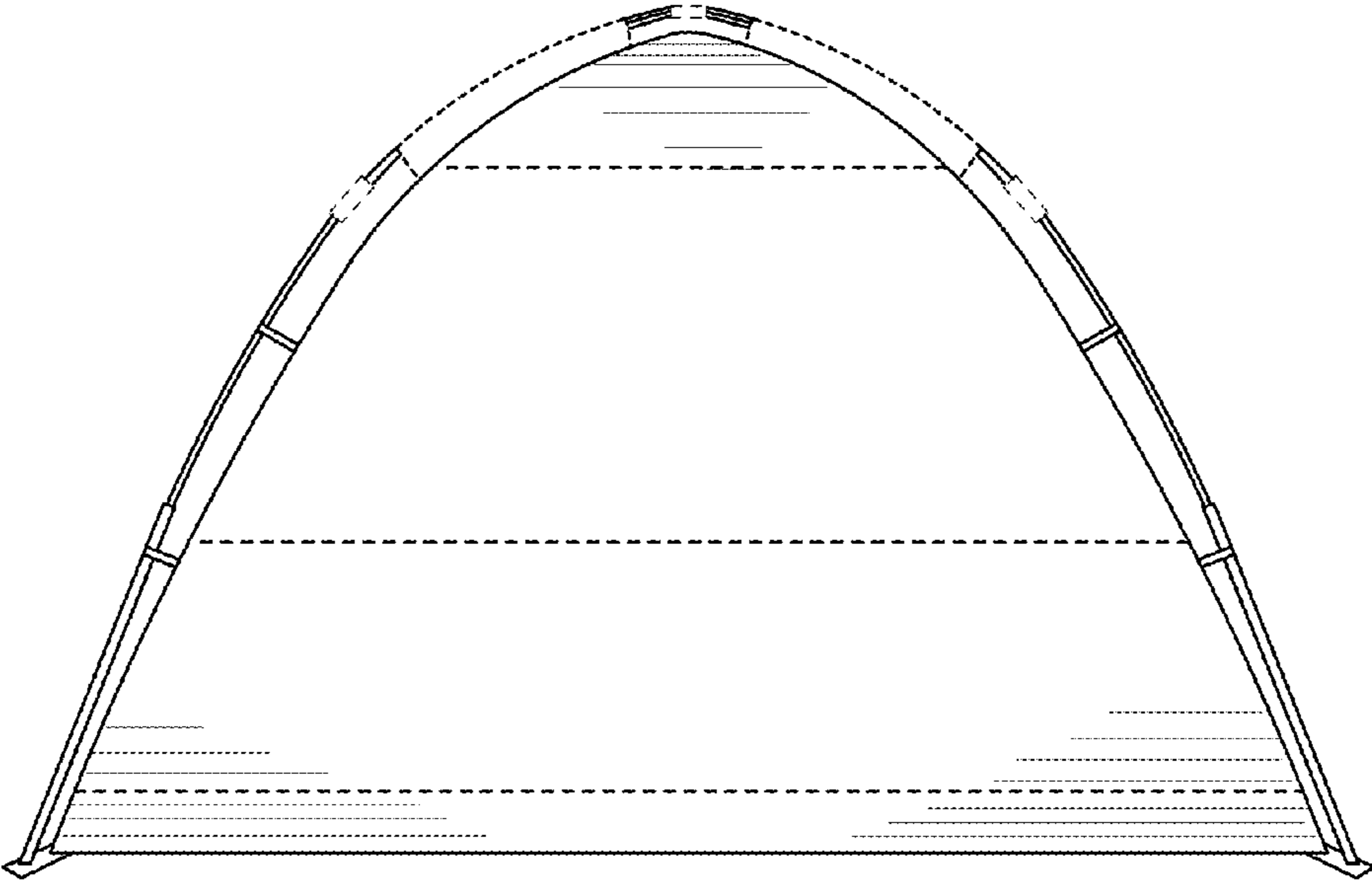


Figure 5

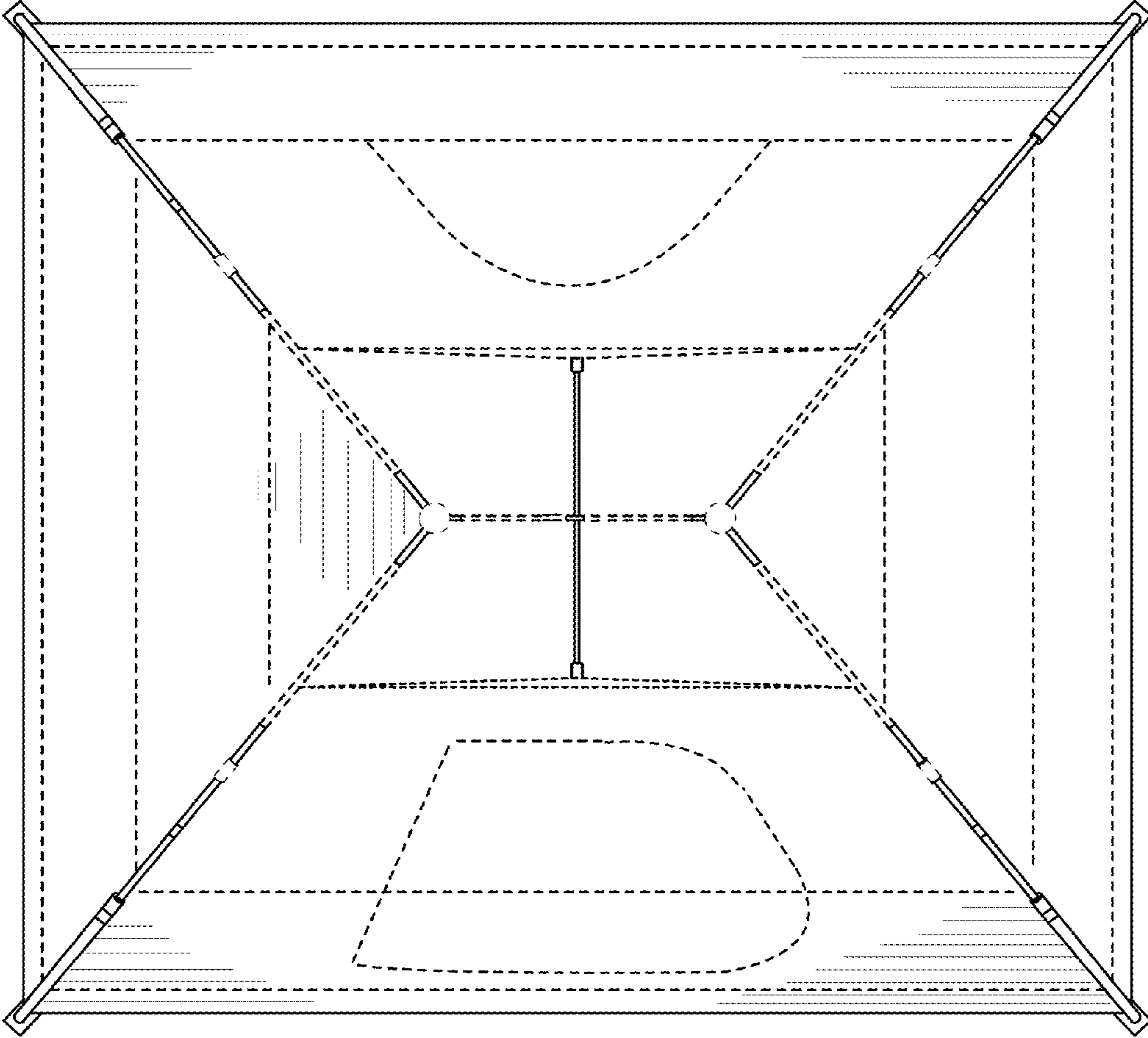


Figure 6

