



US00D718827S

(12) **United States Design Patent**  
**Chen**

(10) **Patent No.:** **US D718,827 S**

(45) **Date of Patent:** **\*\* Dec. 2, 2014**

(54) **COMBINATION TRAMPOLINE AND SWING**

FOREIGN PATENT DOCUMENTS

(71) Applicant: **Samuel Chen**, Shanghai (CN)

CA	2228871	A1	*	7/1999	
GB	2446782	A	*	8/2008	..... A63B 5/11
WO	WO 2008126033	A1	*	10/2008	..... A63B 71/02
WO	WO 2011032173	A2	*	3/2011	

(72) Inventor: **Samuel Chen**, Shanghai (CN)

(\*\*) Term: **14 Years**

OTHER PUBLICATIONS

(21) Appl. No.: **29/486,691**

[Dongguan Anbo Industrial Co. Ltd] [online search date Aug. 14, 2014] Retrieved from the Internet<URL: www.globalsources.com/si/AS/Dongguan-Anbo/6008837401507/pdtl/Three-Station-Swing-Set/1051932019.htm?AGGType=pure.\*

(22) Filed: **Apr. 1, 2014**

[Ascend International ] [online search Aug. 14, 2014] Retrieved from the internet<URL: www.hayneedle.com/product/ascendmetalswingset.cfm.\*

**Related U.S. Application Data**

(63) Continuation-in-part of application No. 13/618,159, filed on Sep. 14, 2012.

\* cited by examiner

(51) **LOC (10) Cl.** ..... **21-02**

*Primary Examiner* — Philip S Hyder

(52) **U.S. Cl.**

*Assistant Examiner* — Keith Frank

USPC ..... **D21/797**

(74) *Attorney, Agent, or Firm* — Clement Cheng

(58) **Field of Classification Search**

(57) **CLAIM**

USPC ..... 482/27–30; D21/797, 814, 822, 839, D21/823, 825, 439, 834; 472/118, 134

The ornamental design for a combination trampoline and swing, as shown and described.

See application file for complete search history.

**DESCRIPTION**

(56) **References Cited**

FIG. 1 is a perspective view of the pen, showing my new design.

**U.S. PATENT DOCUMENTS**

D187,138	S	*	2/1960	Highberger	.....	D21/797
4,284,271	A	*	8/1981	Pettit et al.	.....	482/27
D536,052	S	*	1/2007	Han	.....	D21/822
D570,947	S	*	6/2008	Horne	.....	D21/797
D614,715	S	*	4/2010	Mann	.....	D21/797
D630,285	S	*	1/2011	Hsiang	.....	D21/797
7,883,446	B2	*	2/2011	Lovley, II	.....	482/27
8,012,066	B1	*	9/2011	Hsiang	.....	482/27
D653,299	S	*	1/2012	Samuel	.....	D21/797
8,715,095	B2	*	5/2014	Hsieh	.....	472/116
2013/0225304	A1	*	8/2013	Hsieh	.....	472/118
2014/0080674	A1	*	3/2014	Chen	.....	482/29

FIG. 2 is a right side elevational view of FIG. 1.

FIG. 3 is a front elevational view of FIG. 1.

FIG. 4 is a left side elevational view of FIG. 1.

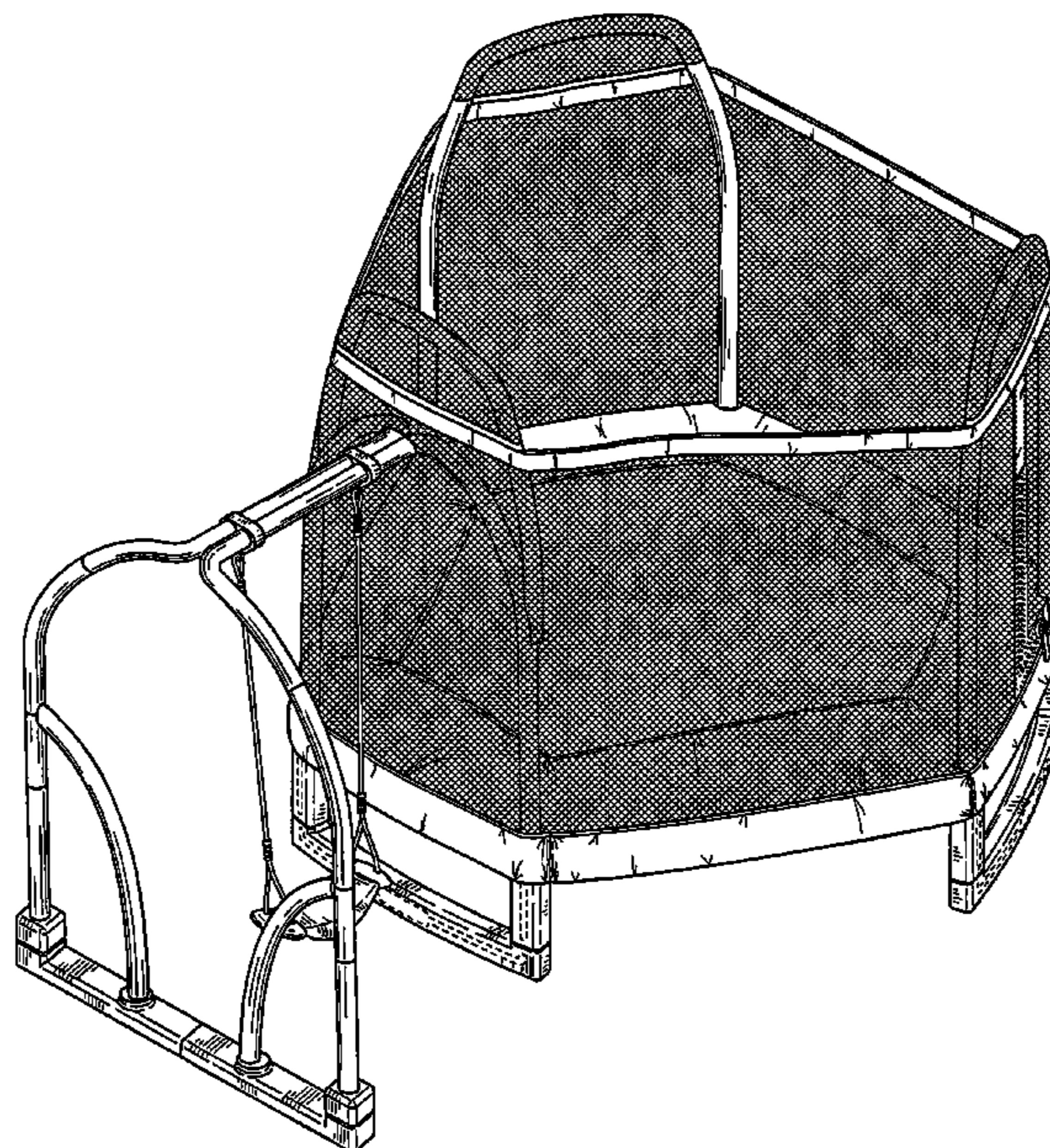
FIG. 5 is a rear elevational view of FIG. 1.

FIG. 6 is a bottom plan view of FIG. 1; and,

FIG. 7 is a top plan view of FIG. 1.

The broken lines depict portions of the combined trampoline and swing in which the design is embodied that are not considered part of the claimed design.

**1 Claim, 7 Drawing Sheets**





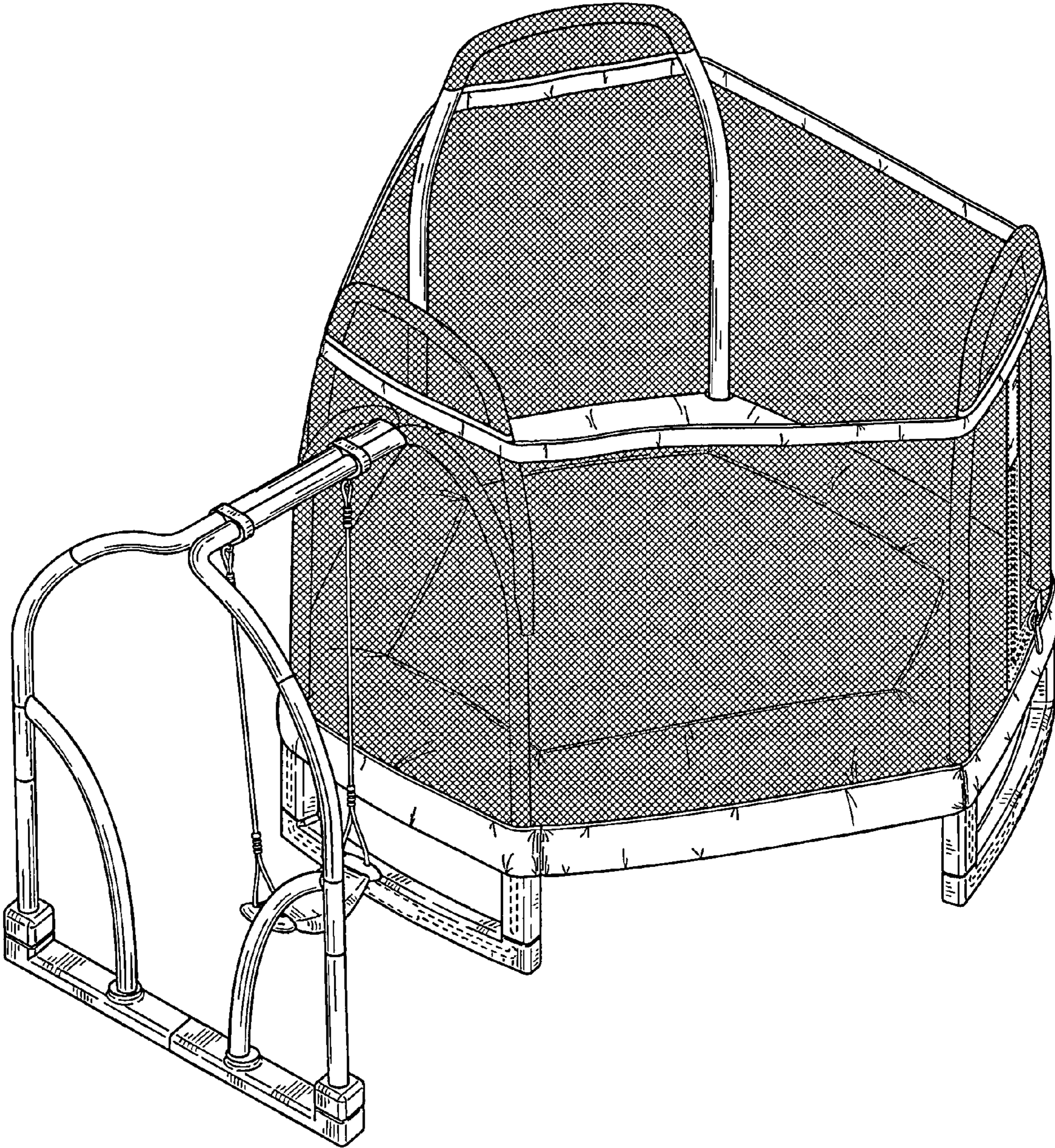


FIG. 1



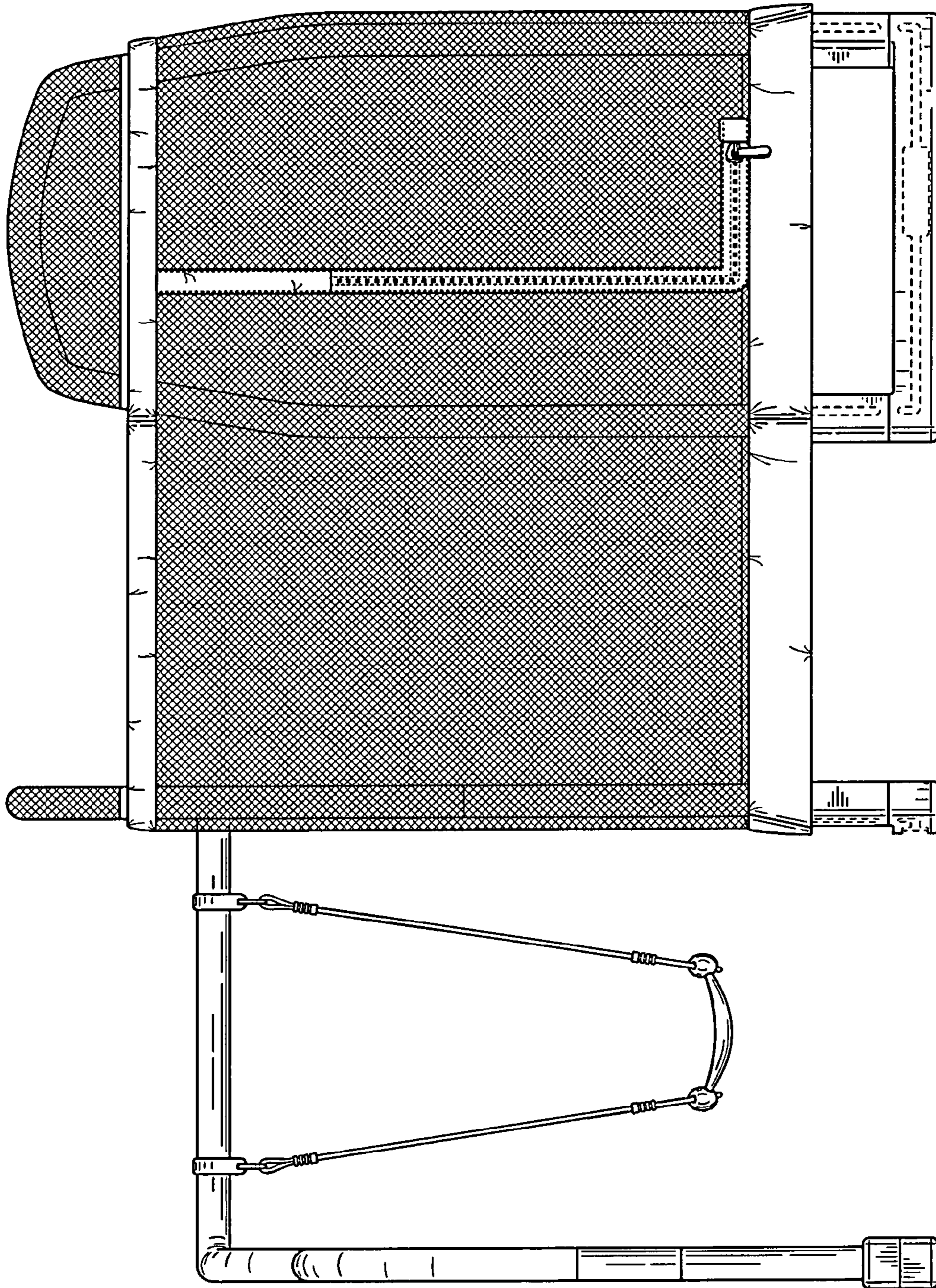


FIG. 2



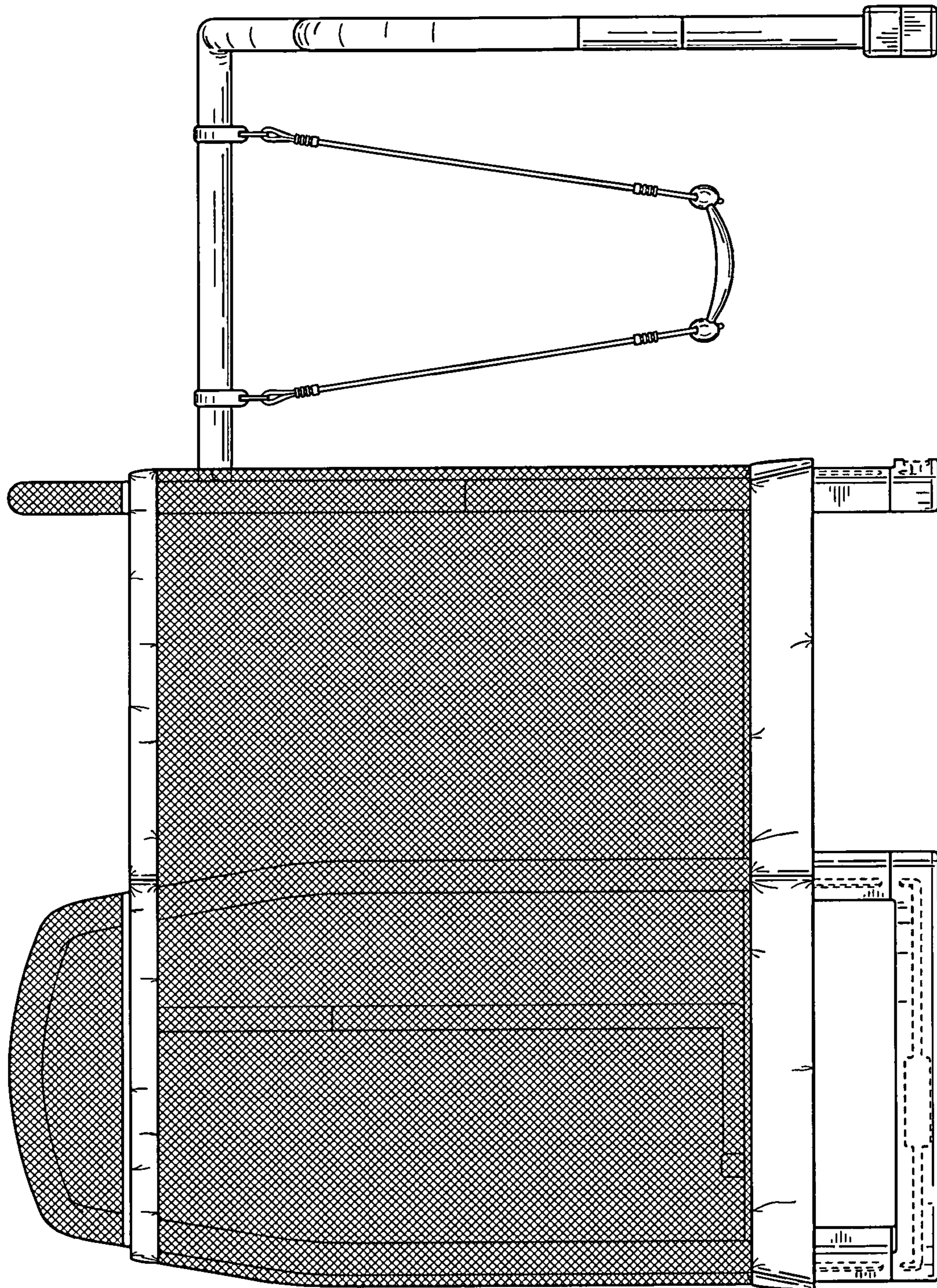


FIG. 3



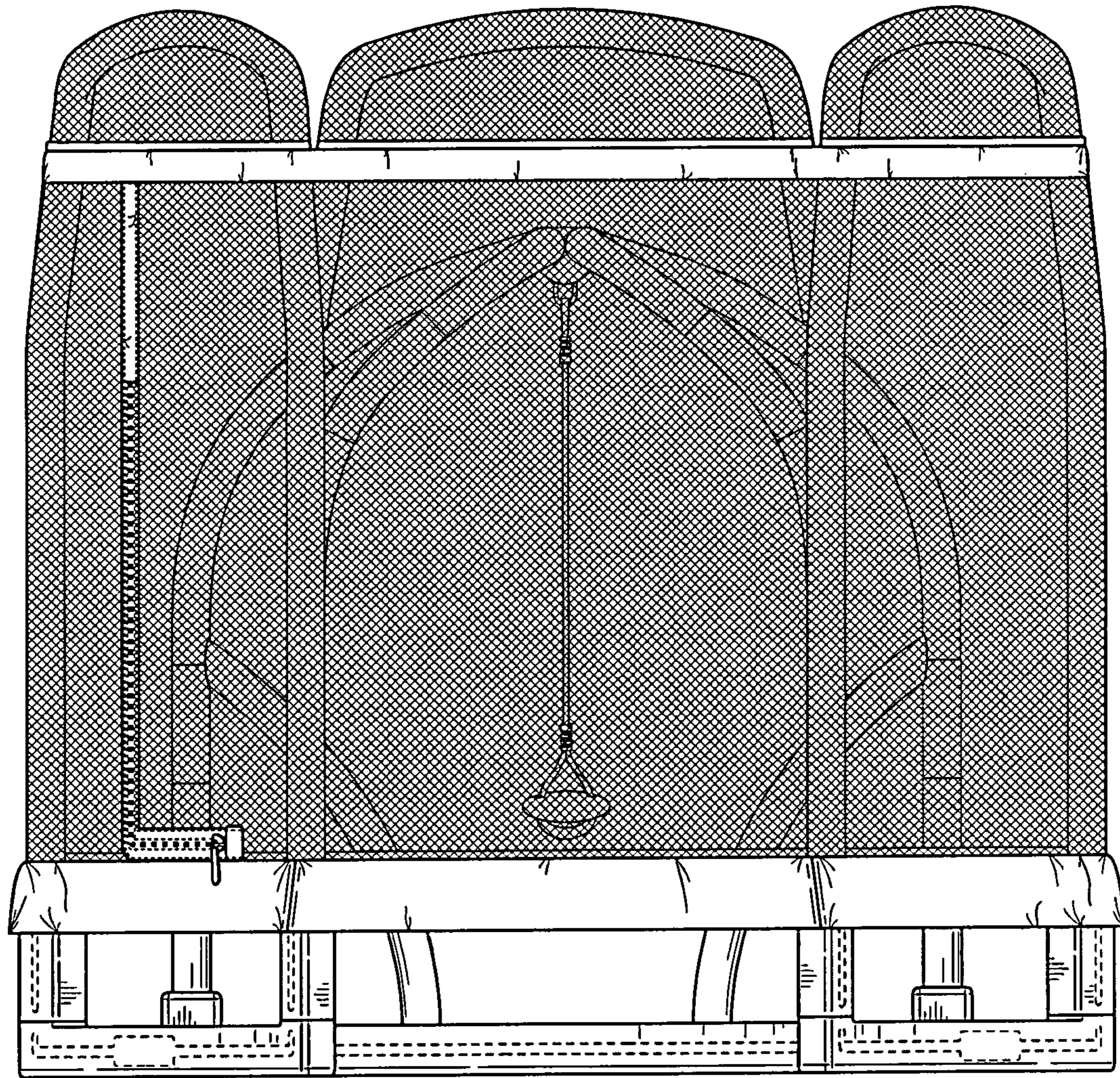


FIG. 4



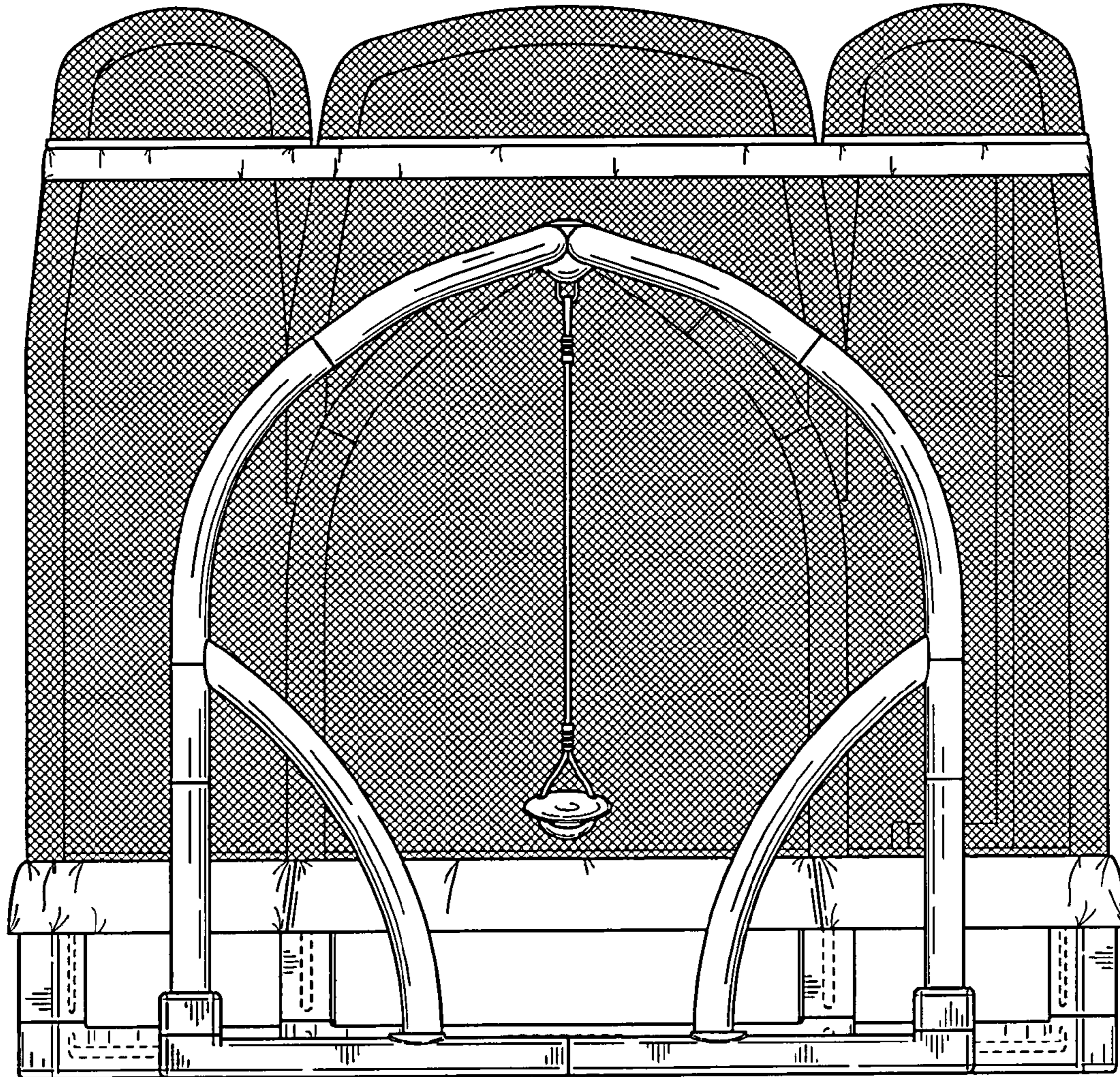


FIG. 5



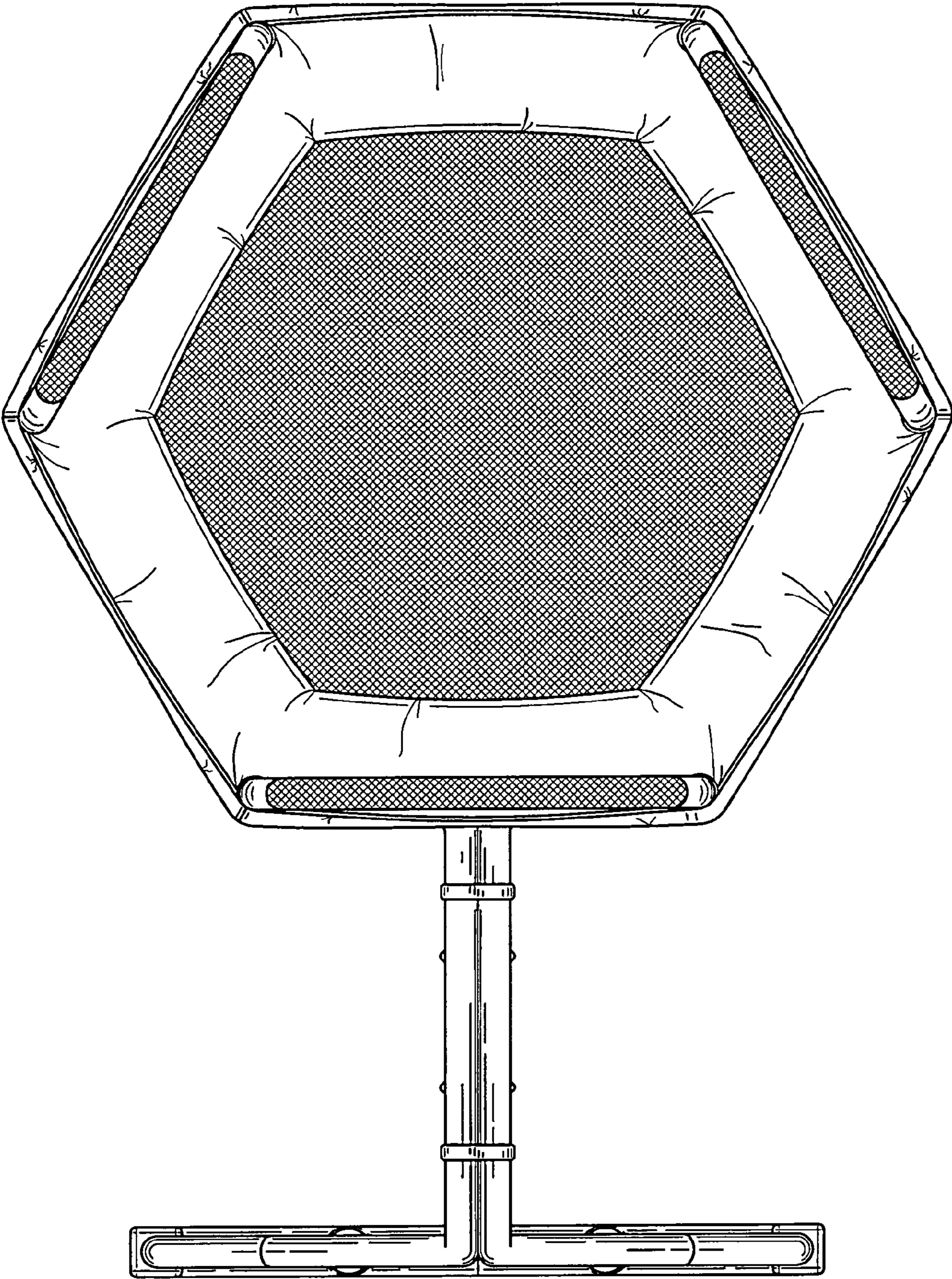


FIG. 6



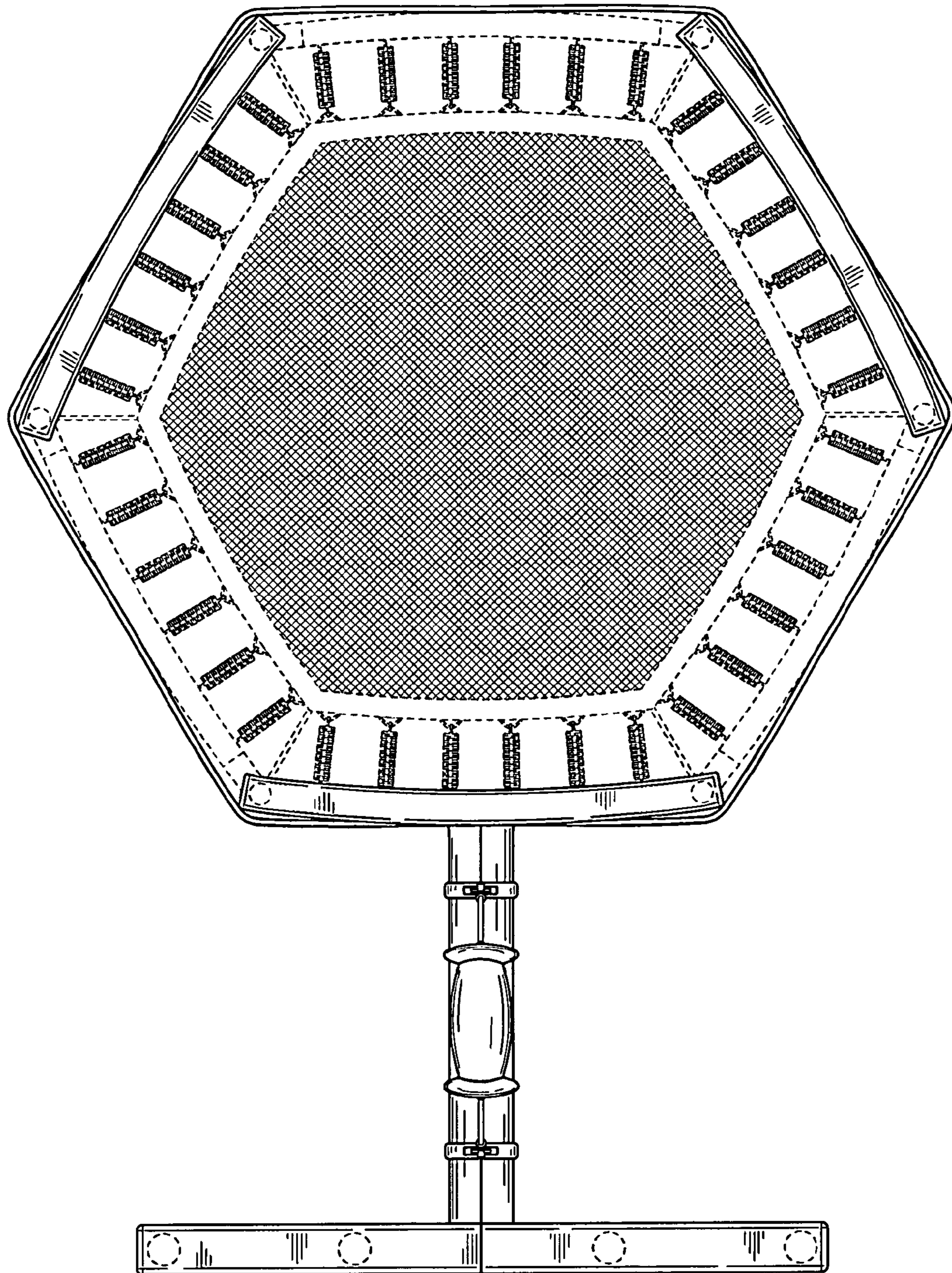


FIG. 7