



US00D718824S

(12) **United States Design Patent**
Huang

(10) **Patent No.:** **US D718,824 S**

(45) **Date of Patent:** **** Dec. 2, 2014**

(54) **TOY GUN**

(71) Applicant: **Jianhua Huang**, Fuzhou (CN)

(72) Inventor: **Jianhua Huang**, Fuzhou (CN)

(**) Term: **14 Years**

(21) Appl. No.: **29/483,874**

(22) Filed: **Mar. 4, 2014**

(51) **LOC (10) Cl.** **21-01**

(52) **U.S. Cl.**
USPC **D21/570**

(58) **Field of Classification Search**
USPC D21/401, 454, 461, 567-575, 597;
D22/103, 105; 446/23, 153-156, 159,
446/267, 473; 222/78, 79, 94, 209;
239/211, 237, 329, 373; 124/6, 26-29,
124/54, 63-65, 73-75; D23/223, 226, 231
See application file for complete search history.

(56) **References Cited**

U.S. PATENT DOCUMENTS

5,113,842	A *	5/1992	Moormann	124/65
D353,170	S *	12/1994	Shirai et al.	D21/573
D354,998	S *	1/1995	Arad et al.	D21/570
D355,000	S *	1/1995	Arad et al.	D21/570
5,377,656	A *	1/1995	Lewinski et al.	124/65

5,605,140	A *	2/1997	Griffin	124/59
D385,586	S *	10/1997	Hanatani et al.	D21/573
7,938,110	B2 *	5/2011	Udwin	124/65
D658,726	S *	5/2012	Greiner	D21/570
D664,604	S *	7/2012	Greiner	D21/570
D698,871	S *	2/2014	Cummings	D21/570
8,671,926	B1 *	3/2014	Mahlstedt et al.	124/65
2007/0034197	A1 *	2/2007	Tschech	124/65
2008/0022990	A1 *	1/2008	Mitchell	124/65

* cited by examiner

Primary Examiner — Cynthia M Chin

(57) **CLAIM**

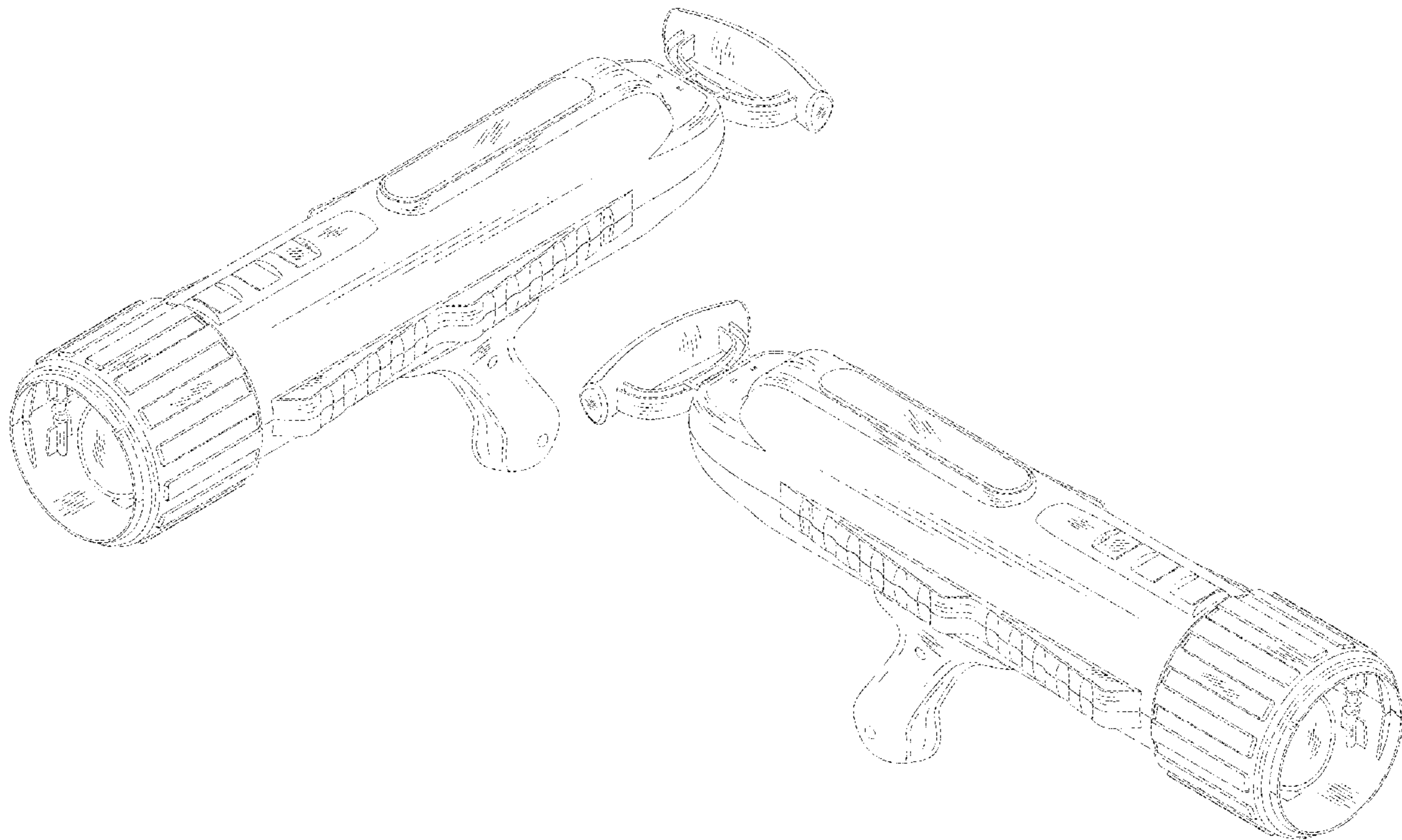
The ornamental design for a toy gun, as shown and described.

DESCRIPTION

FIG. 1 is a front perspective view of a toy gun showing my new design;
FIG. 2 is another front perspective view thereof;
FIG. 3 is a right elevation view thereof;
FIG. 4 is a left elevation view thereof;
FIG. 5 is a top plan view thereof;
FIG. 6 is an bottom plan view thereof;
FIG. 7 is a front elevation view thereof; and,
FIG. 8 is a back elevation view thereof.

The broken lines represent portions of the article that form no part of the claim.

1 Claim, 3 Drawing Sheets



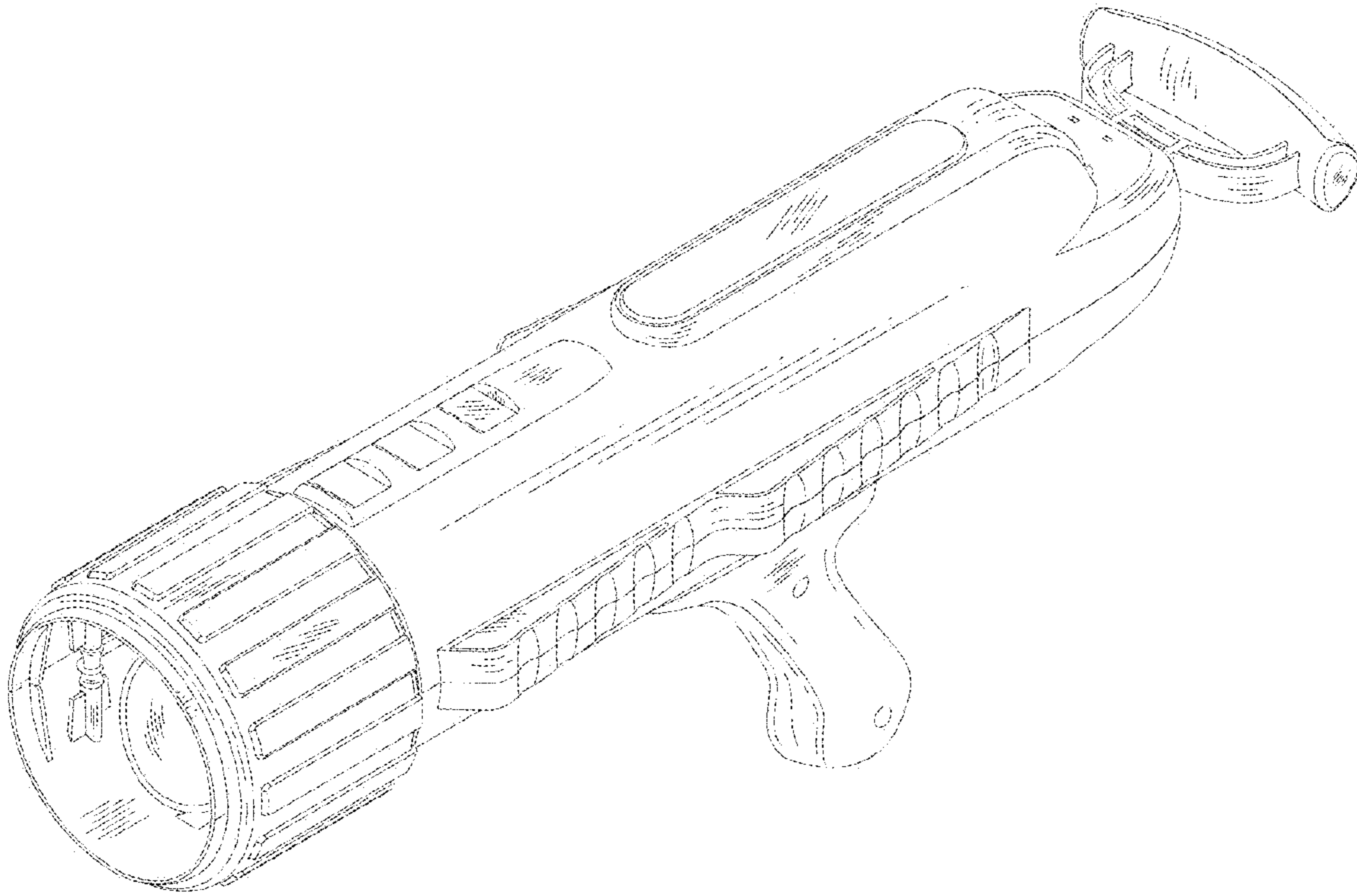


FIG. 1

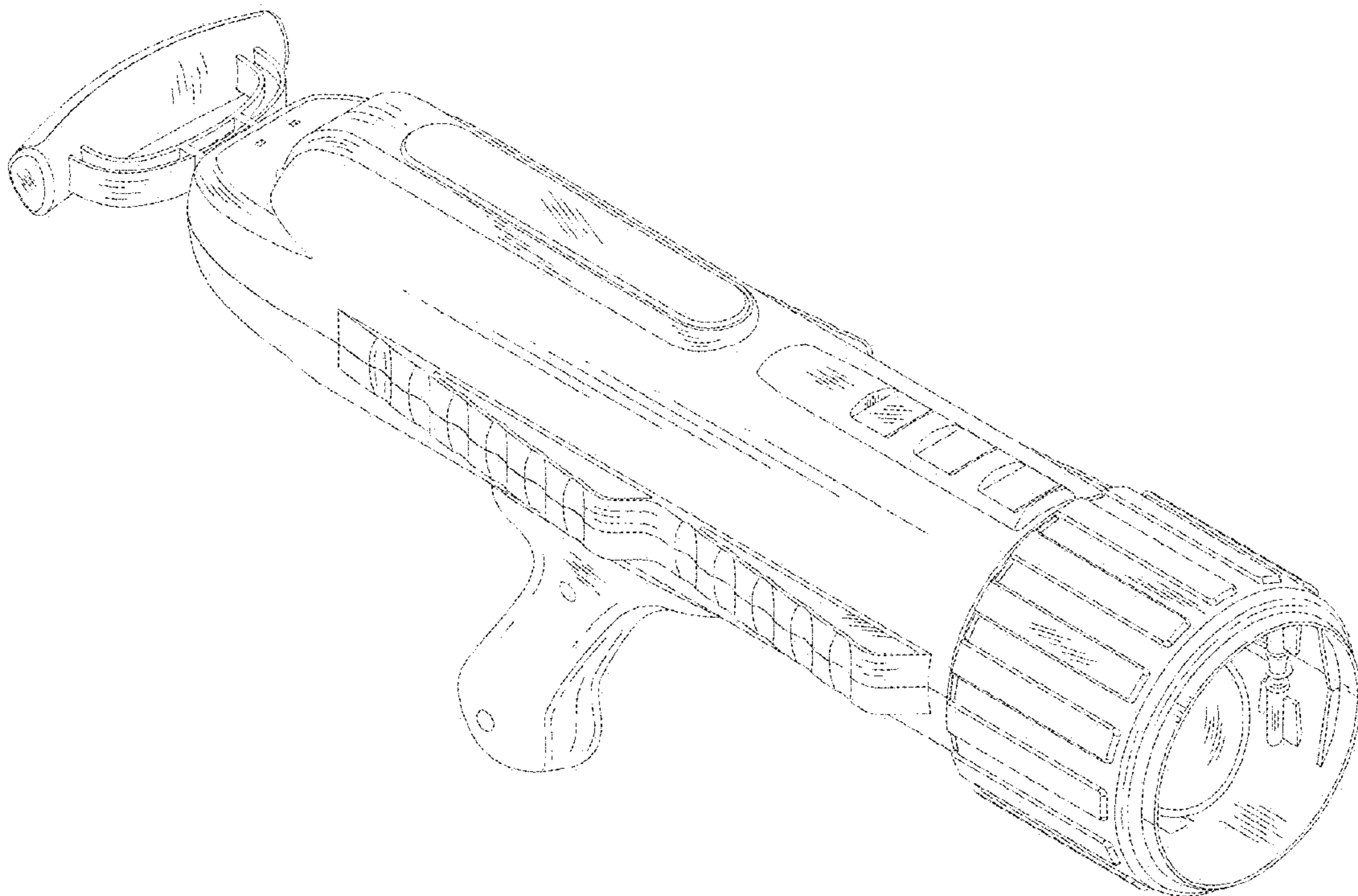


FIG. 2

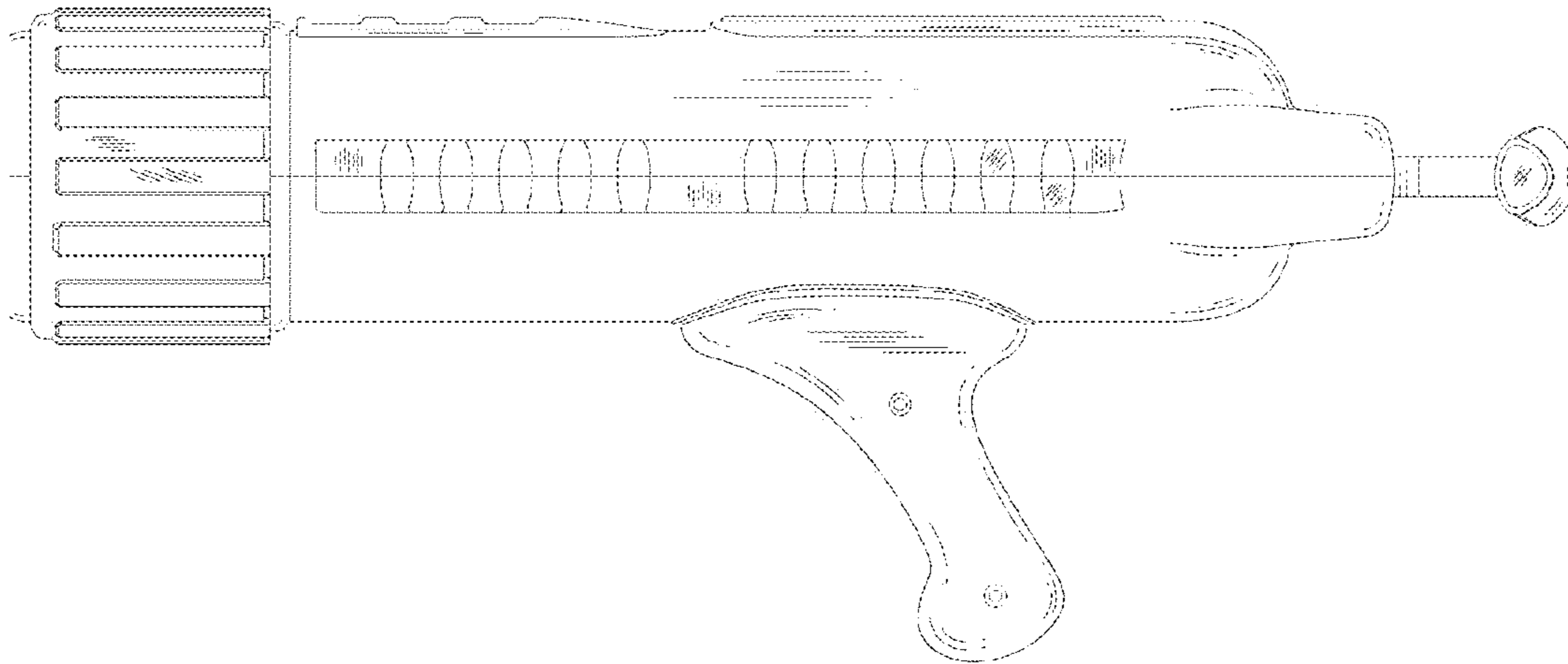


FIG. 3

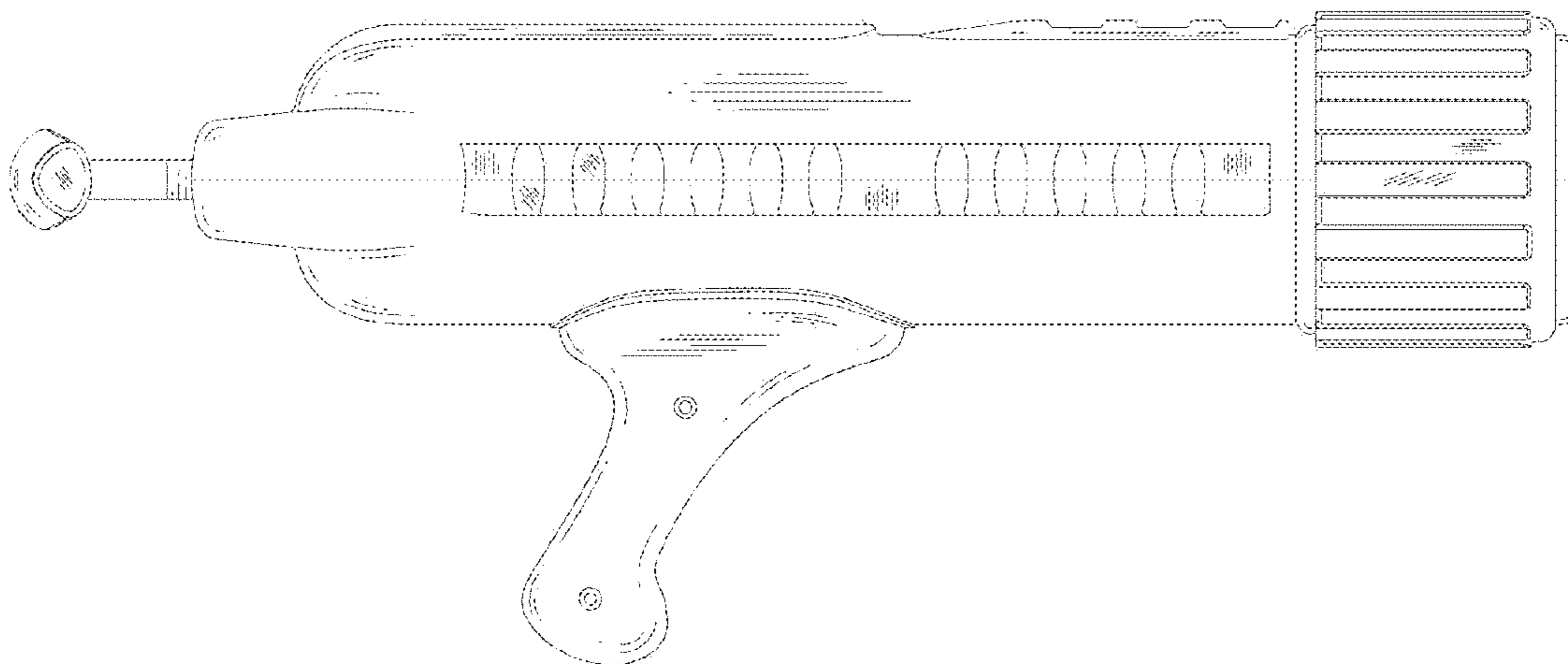


FIG. 4

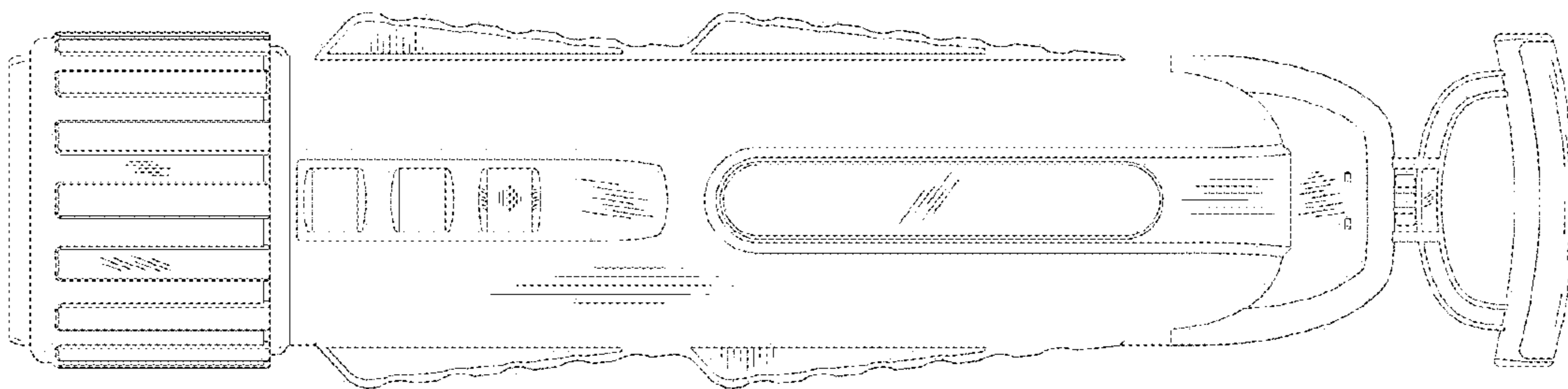


FIG. 5

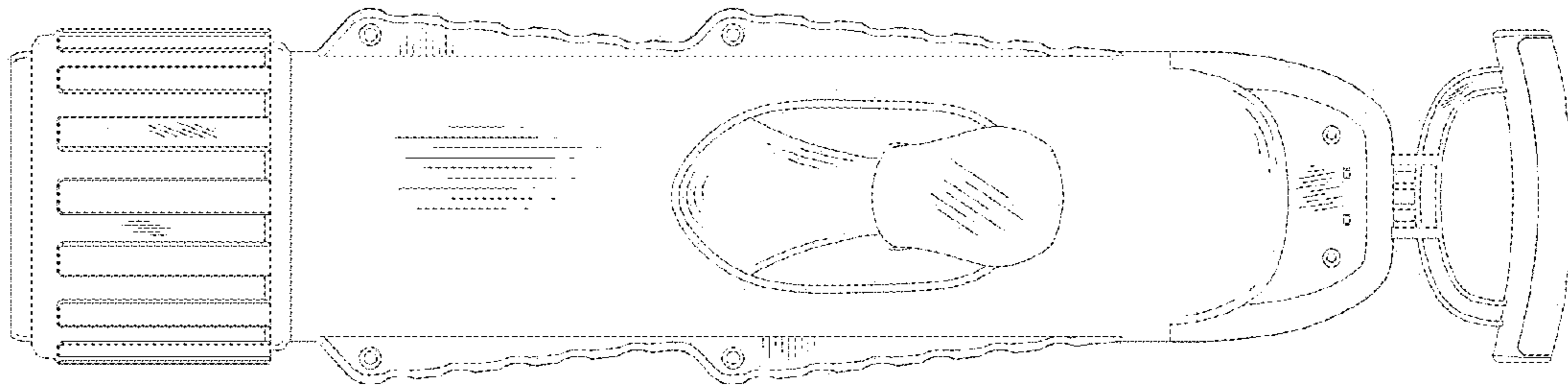


FIG. 6

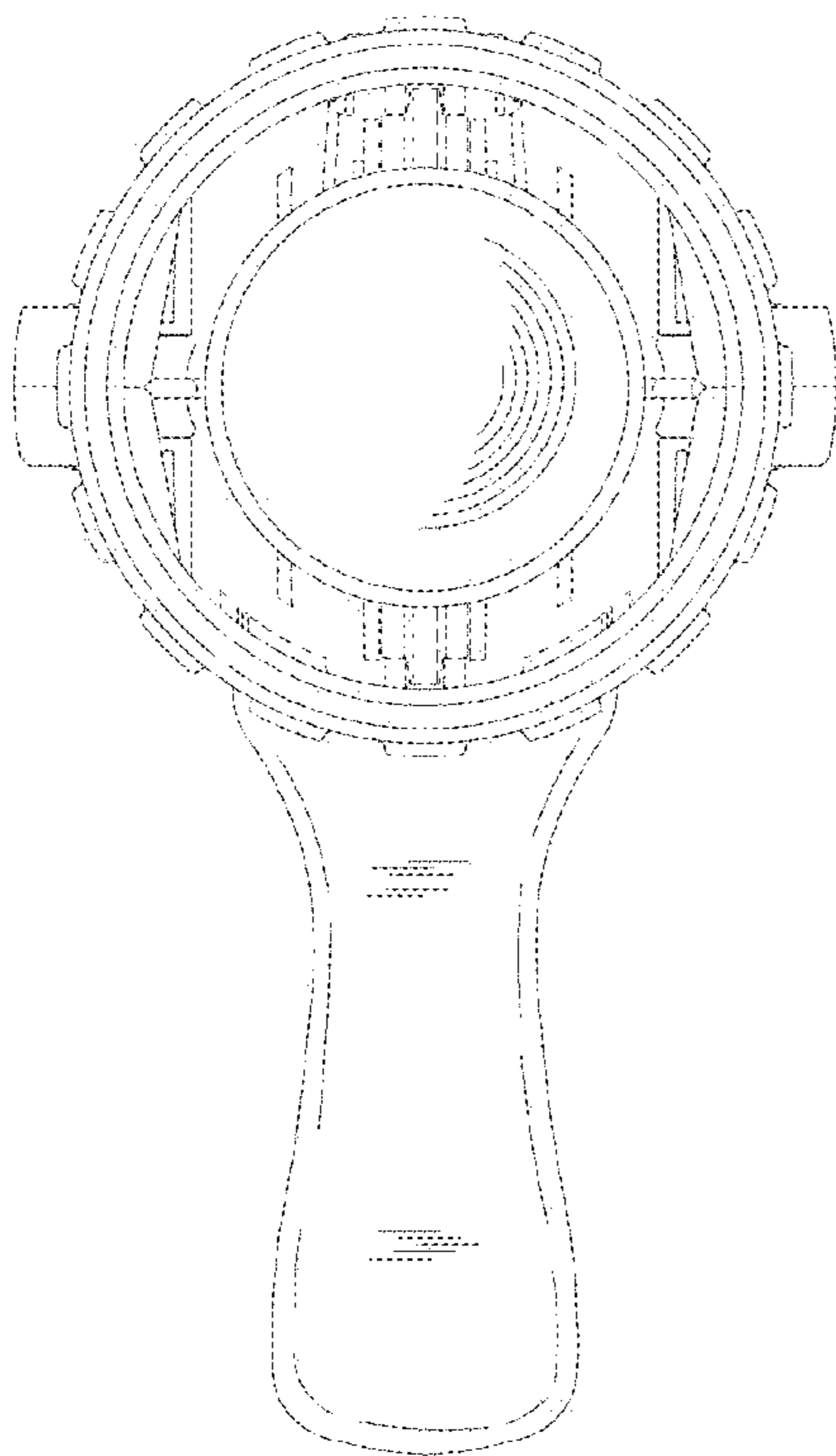


FIG. 7

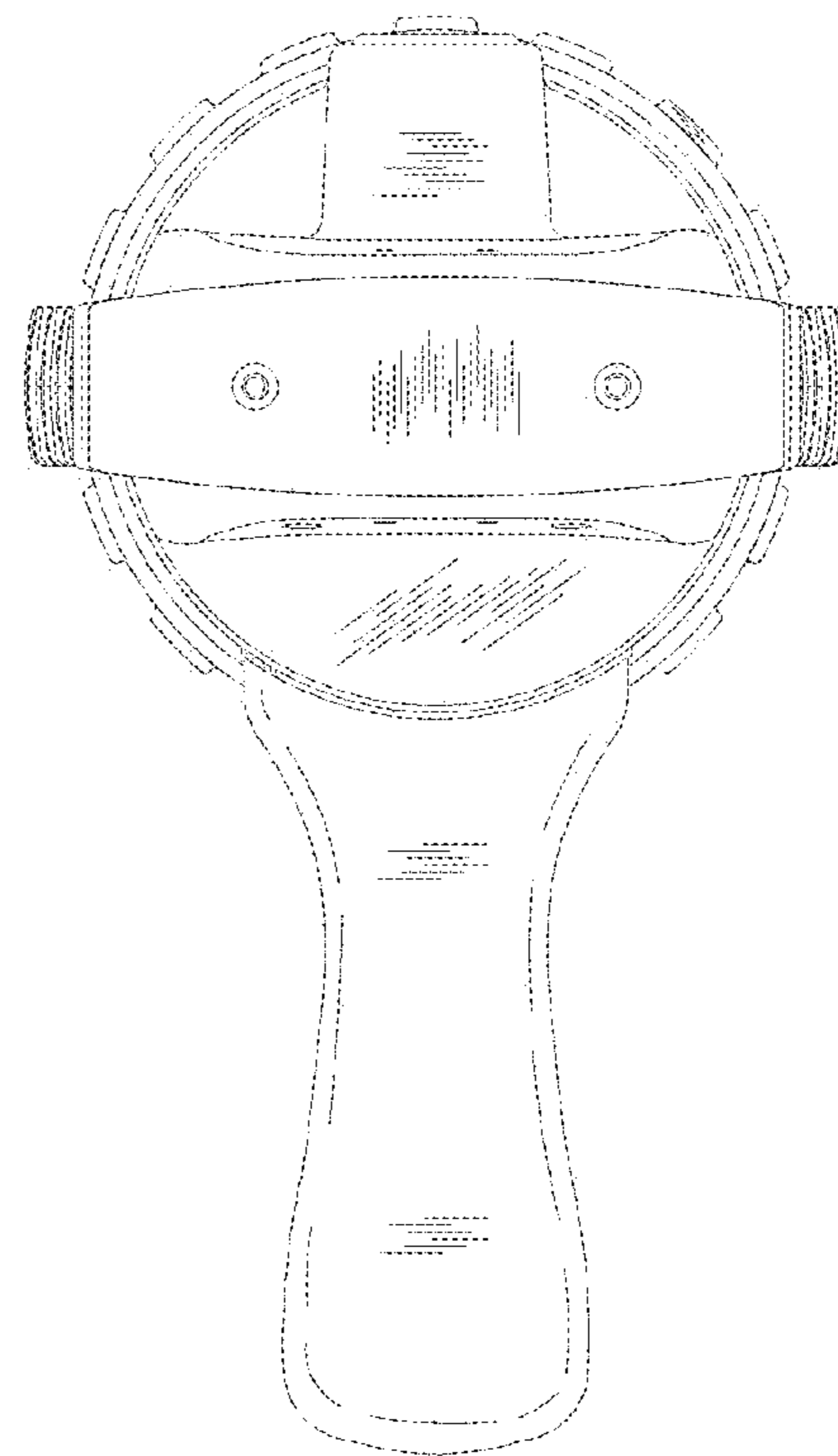


FIG. 8