

US00D718823S

(12) **United States Design Patent**
Cunningham

(10) **Patent No.:** **US D718,823 S**
(45) **Date of Patent:** **** Dec. 2, 2014**

(54) **TRACK ELEMENT FOR A MARBLE RUN TOY**

(71) Applicant: **Robert Roland Cunningham**, Seattle, WA (US)

(72) Inventor: **Robert Roland Cunningham**, Seattle, WA (US)

(**) Term: **14 Years**

(21) Appl. No.: **29/475,164**

(22) Filed: **Nov. 30, 2013**

(51) **LOC (10) Cl.** **21-01**

(52) **U.S. Cl.**
USPC **D21/565**

(58) **Field of Classification Search**
CPC A63F 7/00; A63F 7/3622; A63F 2007/28; A63F 2007/282; A63F 2007/284; A63F 2007/3662
USPC D21/484, 490, 493, 509, 564, 565, 802, D21/818, 821; 446/168-174, 84, 89, 108, 446/112, 114, 116, 124-128, 429, 446/444-447; 463/58-69; 238/10 R, 238/10 A-10 C, 10 E, 10 F; 104/60, 69
See application file for complete search history.

(56) **References Cited**

U.S. PATENT DOCUMENTS

3,005,282 A	10/1961	Godtfred	
3,343,793 A *	9/1967	Waser	238/10 R
4,553,749 A *	11/1985	Bender et al.	273/459
D312,105 S	11/1990	Hoyer	
D312,846 S	12/1990	Andersen	
D314,996 S *	2/1991	Olsen	D21/493
5,007,876 A *	4/1991	Klitsner	446/168
D332,642 S *	1/1993	Pagel	D21/489
5,344,143 A	9/1994	Yule	

5,451,177 A	9/1995	Gilman	
5,709,581 A	1/1998	Lee	
5,908,343 A	6/1999	Lee	
D412,949 S *	8/1999	Nielsen	D21/564
5,944,575 A	8/1999	Tolnay	
6,273,778 B1	8/2001	Kyster	
D514,652 S *	2/2006	Auberger	D21/818
D640,330 S *	6/2011	Beauregard et al.	D21/565
D644,697 S *	9/2011	Mimlitch et al.	D21/565
8,475,226 B2 *	7/2013	Comfort	446/168
2014/0011424 A1 *	1/2014	Comfort	446/168

FOREIGN PATENT DOCUMENTS

CA	2229388 A1	3/1997
CA	2304253 A1	4/1999
CA	2304253 C	3/2006
EP	1015084 B1	5/2004
WO	WO9707866 A1	3/1997
WO	WO9916523 A1	4/1999

* cited by examiner

Primary Examiner — Cynthia M Chin

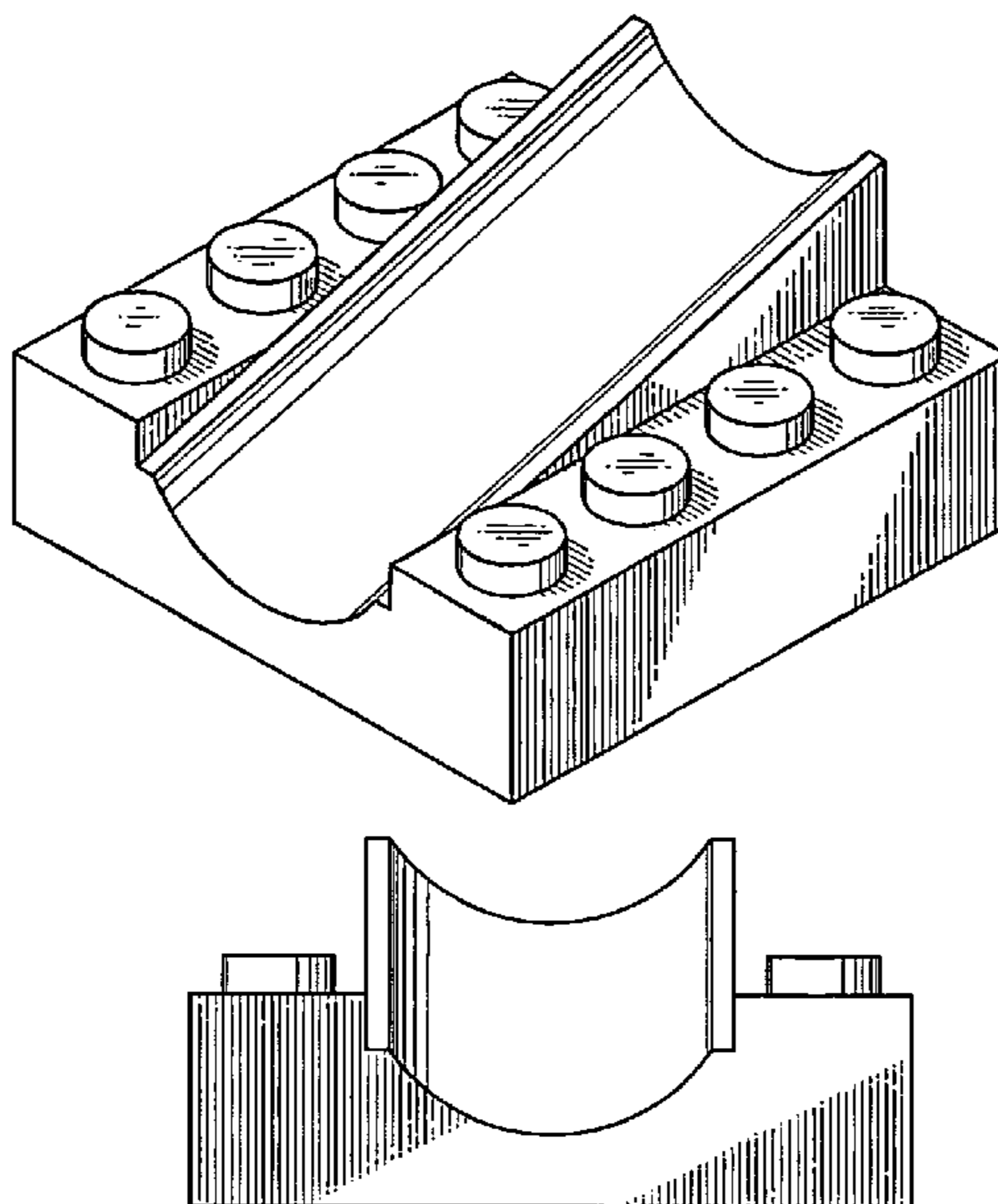
(57) **CLAIM**

The ornamental design for a track element for a marble run toy, as shown and described.

DESCRIPTION

FIG. 1 is a top perspective view of a track element for a marble run toy showing my new design; FIG. 2 is a front elevational view thereof; FIG. 3 is a right side elevational view thereof, the left side view is a mirror image of the right side; FIG. 4 is a rear elevational view thereof; FIG. 5 is a bottom perspective view thereof; FIG. 6 is a bottom plan view thereof, with the portions shown in broken lines forming no part of the claimed design; and, FIG. 7 is a top plan view thereof.

1 Claim, 2 Drawing Sheets



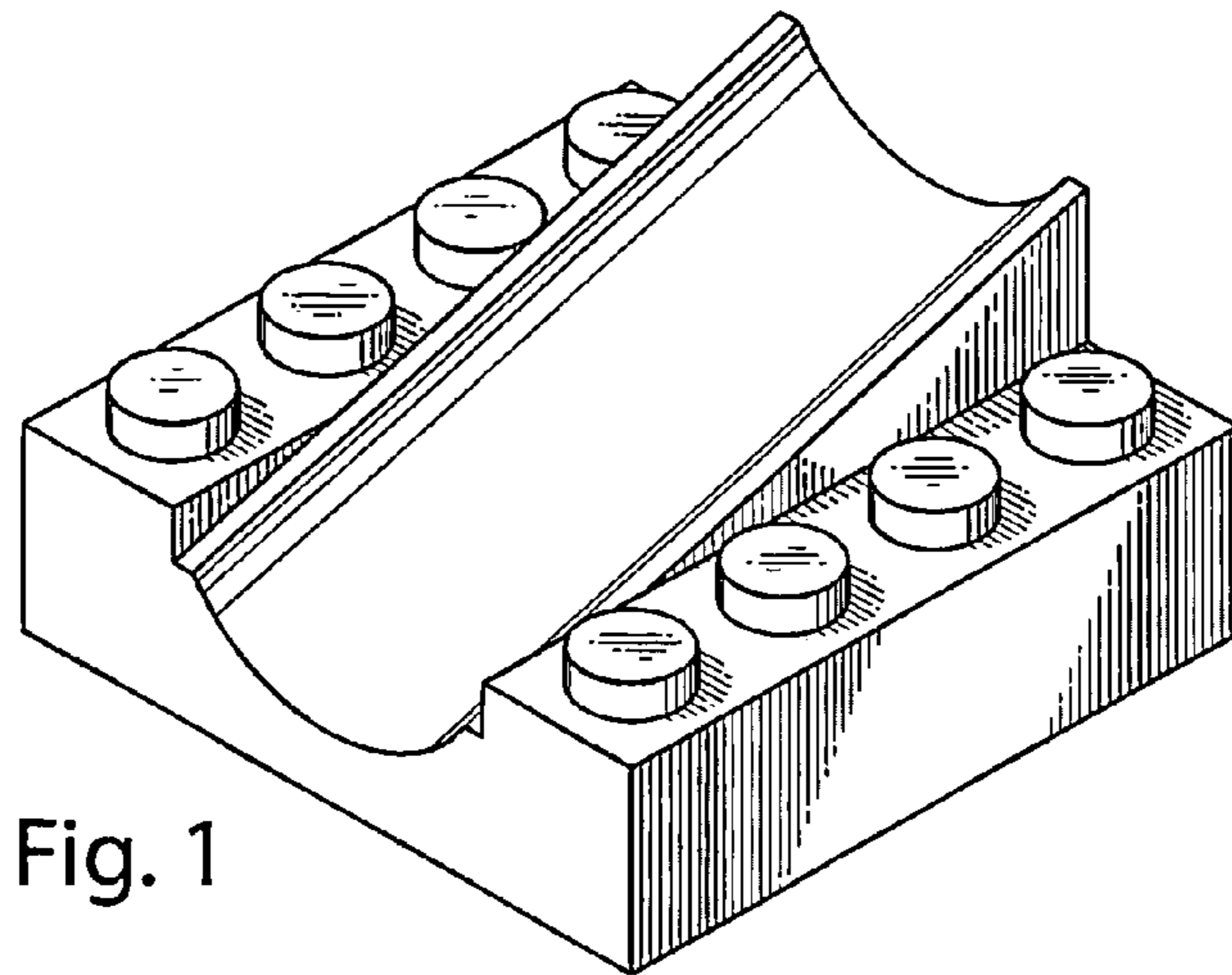


Fig. 1

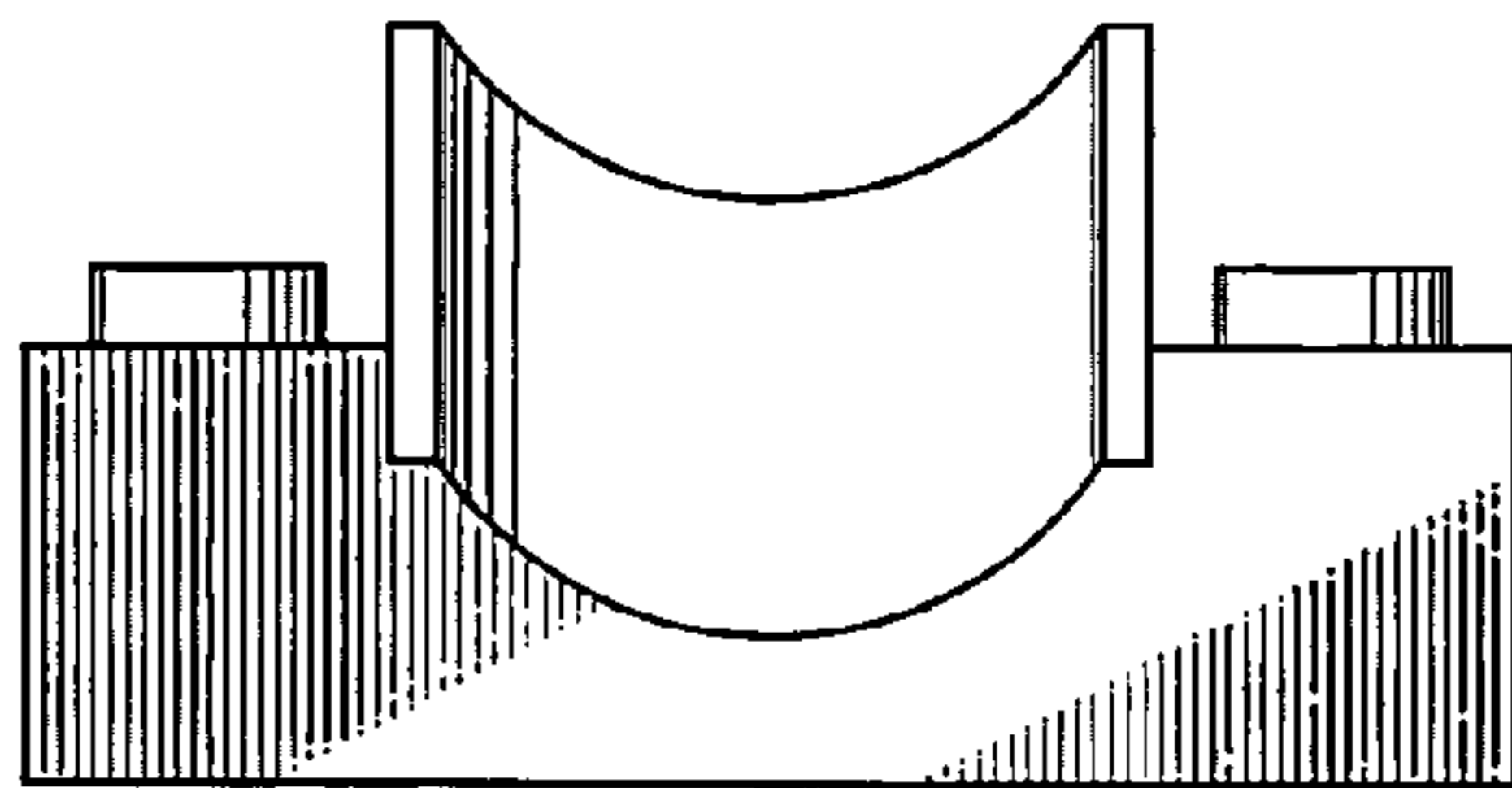


Fig. 2

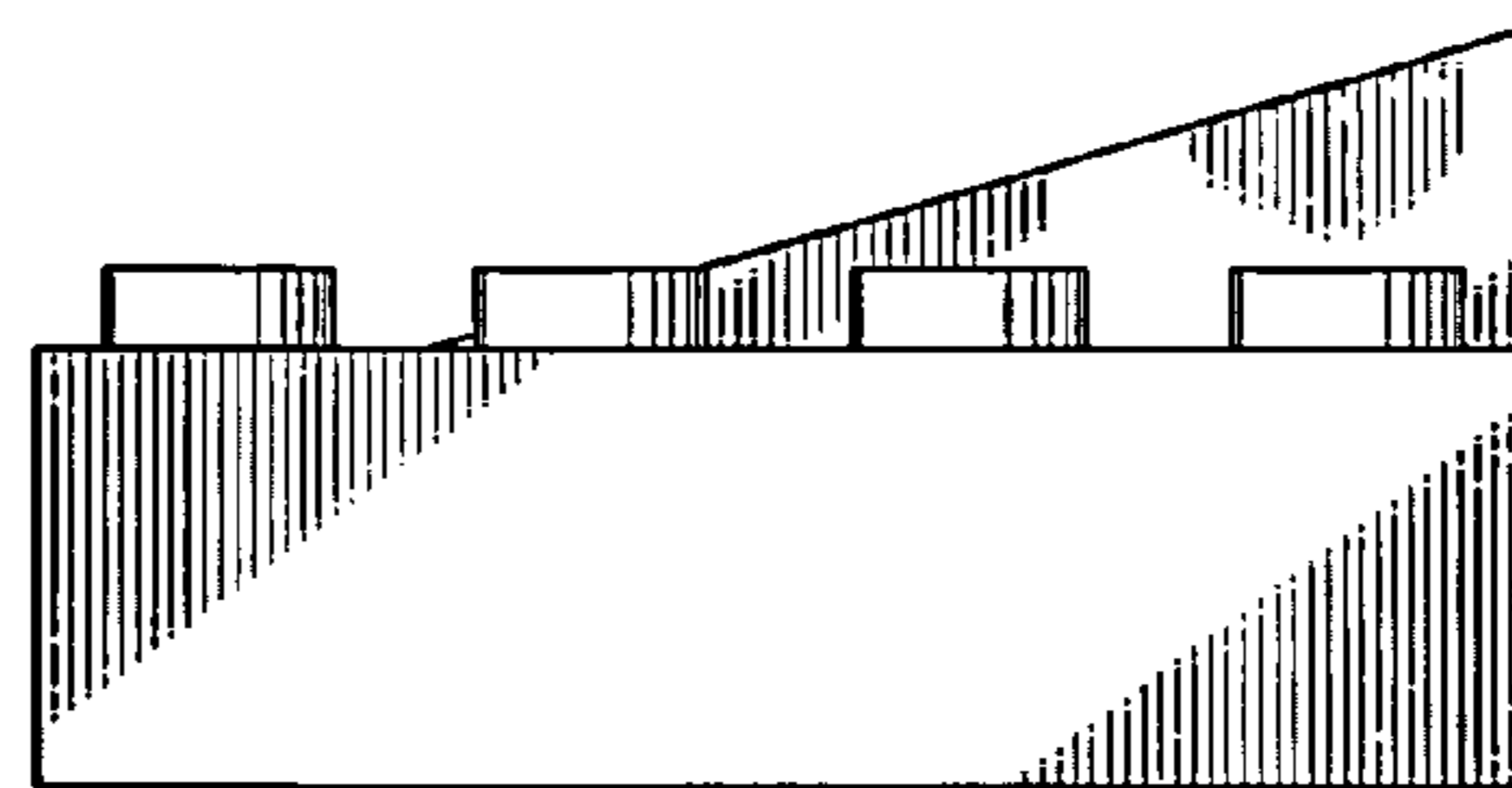


Fig. 3

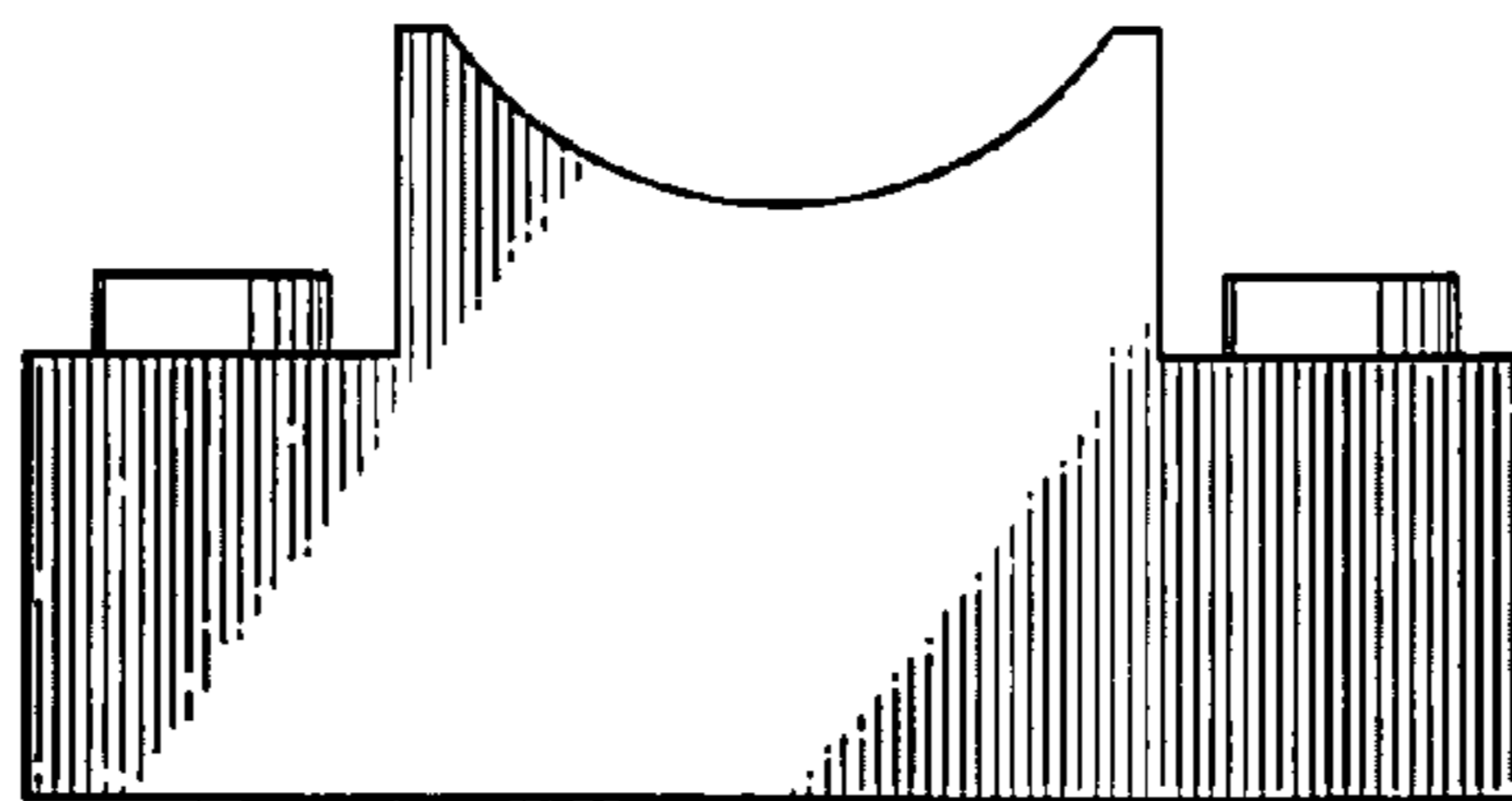


Fig. 4

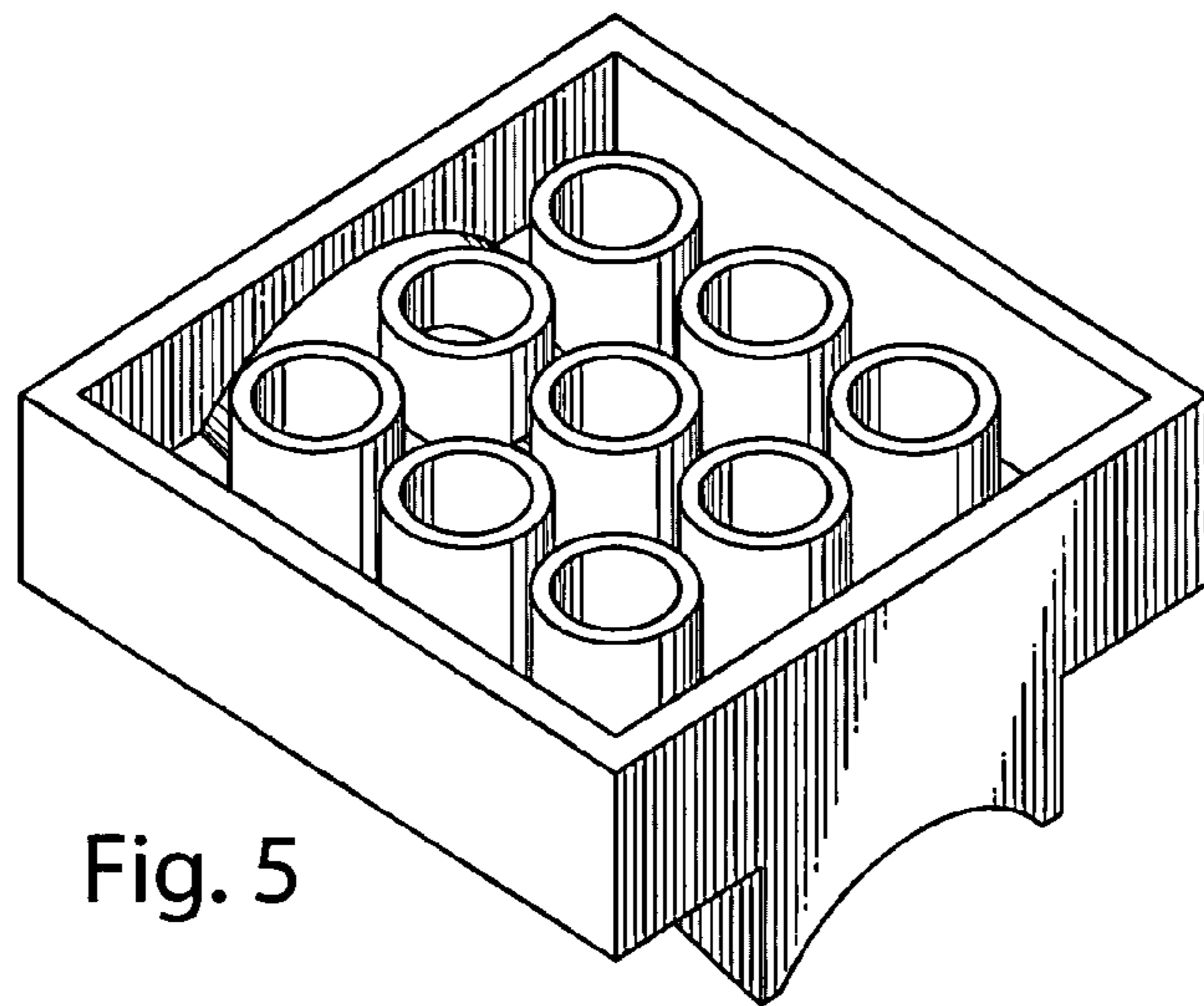


Fig. 5

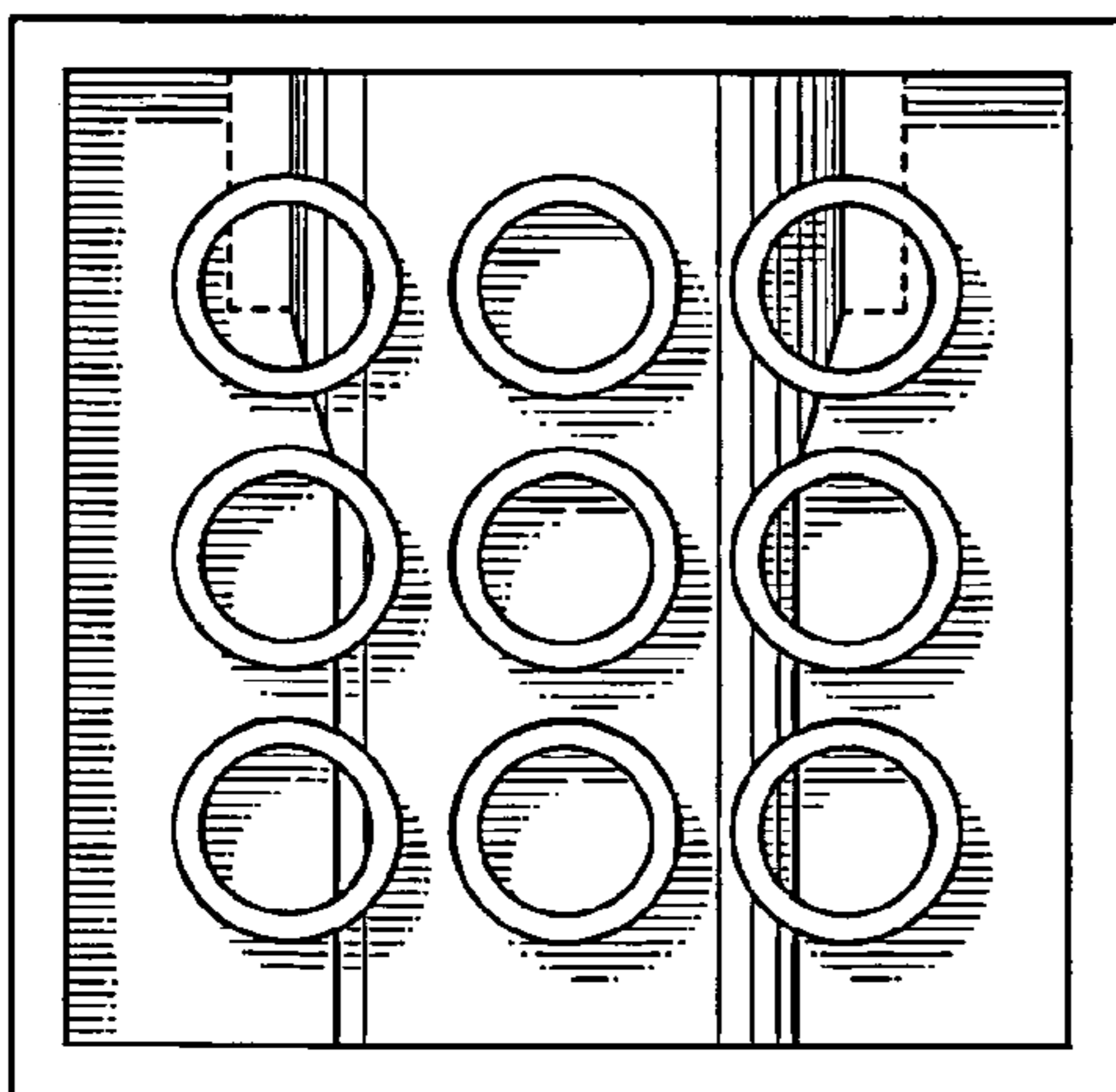


Fig. 6

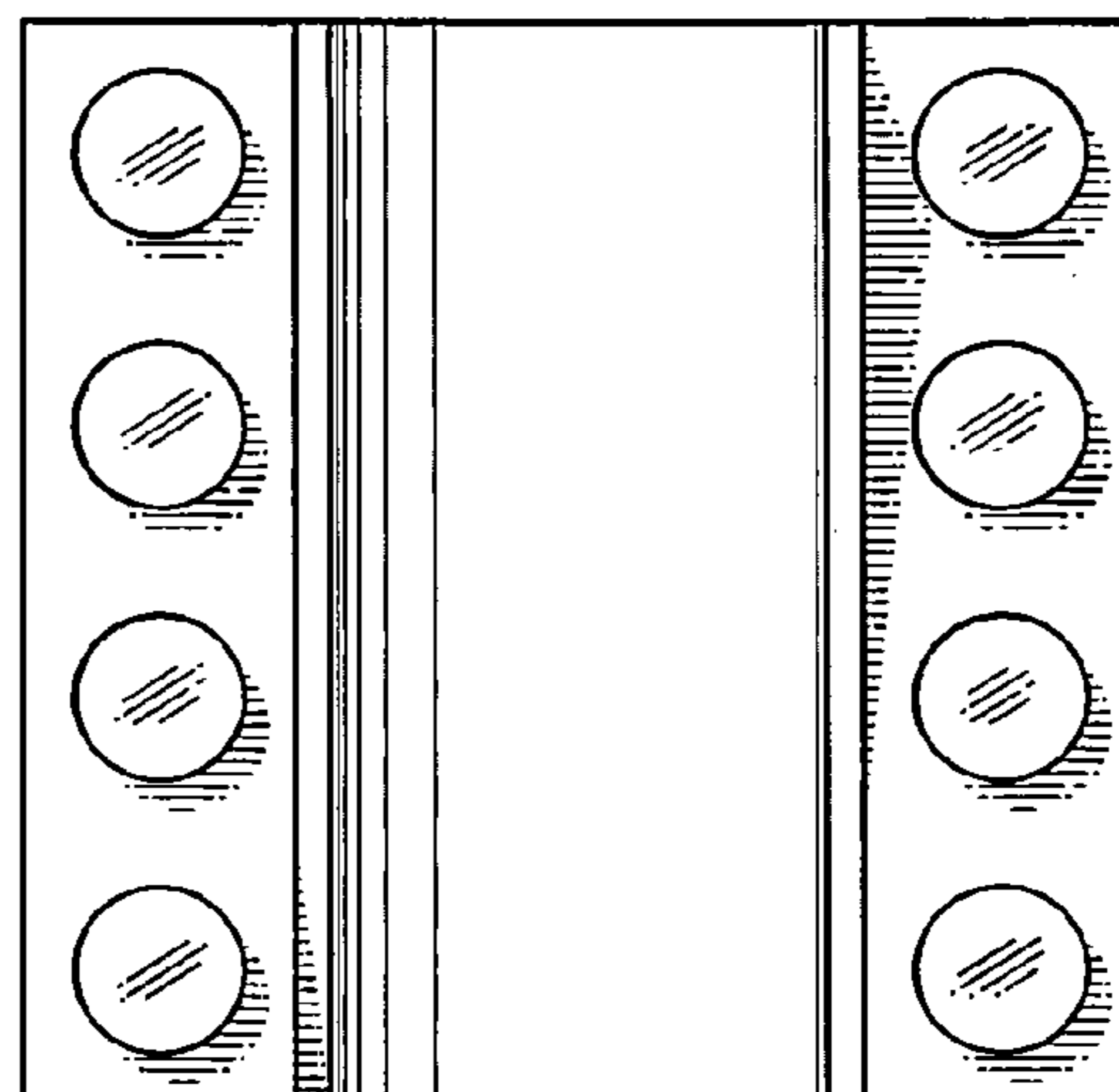


Fig. 7