



US00D718822S

(12) **United States Design Patent**
Lee

(10) **Patent No.:** **US D718,822 S**
(45) **Date of Patent:** **** Dec. 2, 2014**

(54) **CONNECTOR FOR FLEXIBLE TRACK SETS**

(71) Applicant: **Mattel, Inc.**, El Segundo, CA (US)

(72) Inventor: **Tai To Lee**, Kowloon (HK)

(73) Assignee: **Mattel, Inc.**, El Segundo, CA (US)

(**) Term: **14 Years**

(21) Appl. No.: **29/468,791**

(22) Filed: **Oct. 3, 2013**

(51) **LOC (10) Cl.** **21-01**

(52) **U.S. Cl.**
USPC **D21/565**

(58) **Field of Classification Search**

CPC A63H 19/24; A63H 19/28; A63H 19/30;
A63H 19/32; A63H 19/36; A63H 21/00;
A63H 21/02; A63H 21/04; A63H 18/00;
A63H 18/02; A63H 18/021; A63H 18/025;
A63H 18/028; A63H 18/04; A63H 18/06;
A63H 18/16; A63H 33/04; A63H 33/065;
A63H 33/084; A63H 33/086; A63H 33/10;
A63H 33/101; A63H 33/102
USPC D21/484, 490, 493, 509, 564, 565, 802,
D21/818, 821; 446/168-174, 84, 89, 108,
446/112, 114, 116, 124-128, 429,
446/444-447; 463/58-69; 238/10 R,
238/10 A-10 C, 10 E, 10 F; 104/60, 69
See application file for complete search history.

(56) **References Cited**

U.S. PATENT DOCUMENTS

221,817 A 11/1879 Heyn
1,142,150 A 6/1915 Dorrill
1,482,639 A 2/1924 Fergusson
2,021,045 A 11/1935 Boisselier
2,081,682 A 5/1937 Smith

2,290,584 A 7/1942 Gardner
2,428,468 A 10/1947 Pinder
2,534,458 A 12/1950 Larrabee
2,543,460 A 2/1951 Larrabee
2,661,852 A 12/1953 Bonanno
2,690,551 A 9/1954 Pettit
2,862,333 A 12/1958 Gardiol
3,228,607 A 1/1966 Robinette
3,242,610 A 3/1966 Godtfred
3,288,368 A 11/1966 Athearn
3,438,145 A 4/1969 Genin
3,463,393 A 8/1969 Fischer
3,464,624 A 9/1969 Godtfred
3,480,210 A 11/1969 Perrinjaquet
3,487,999 A 1/1970 Nash
3,581,987 A 6/1971 Tomaro
3,581,988 A 6/1971 Kin et al.
3,620,451 A 11/1971 Richter
3,712,539 A 1/1973 Staats
3,712,540 A 1/1973 Yamasaki et al.

(Continued)

Primary Examiner — Cynthia M Chin

(74) *Attorney, Agent, or Firm* — Panitch Schwarze Belisario & Nadel LLP

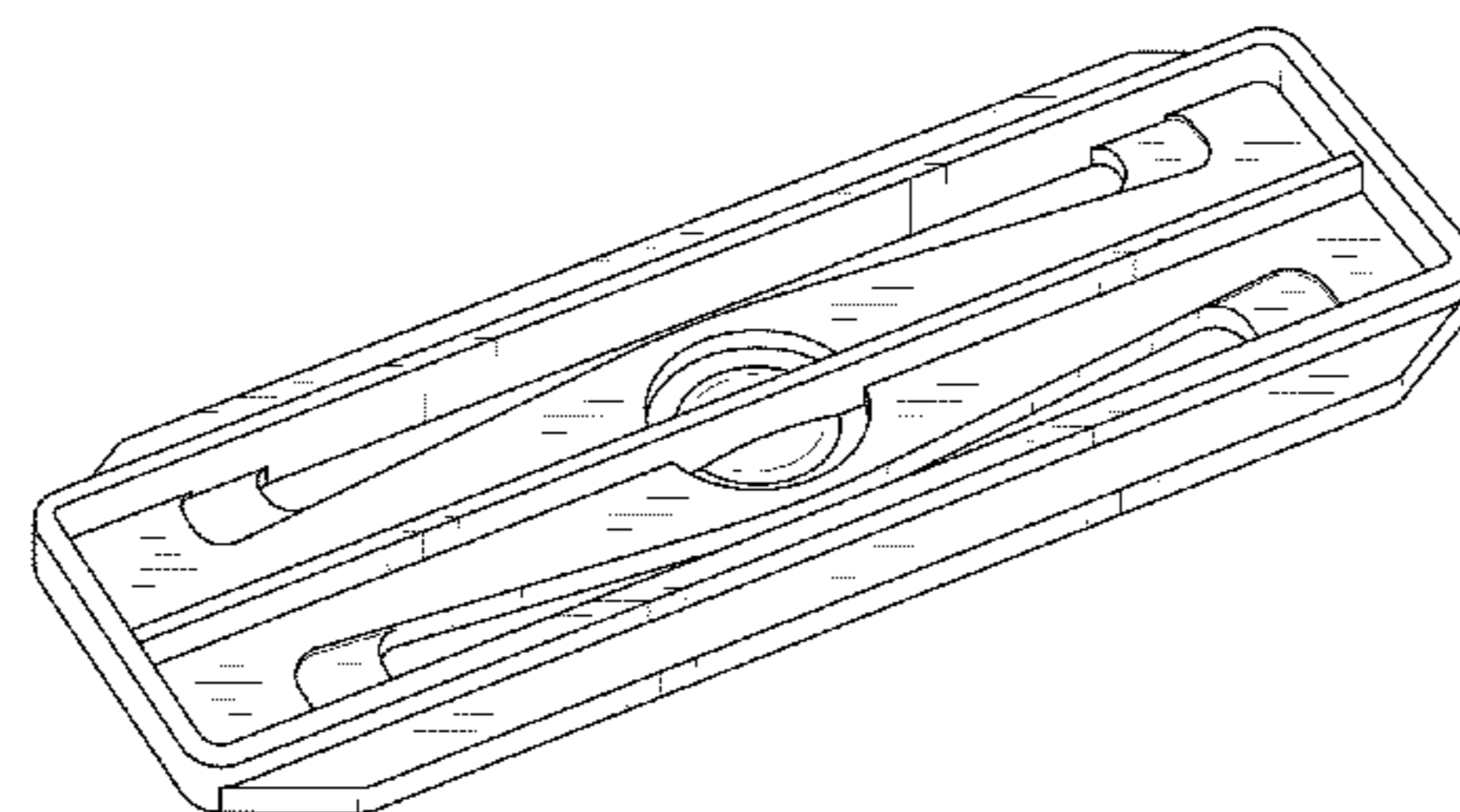
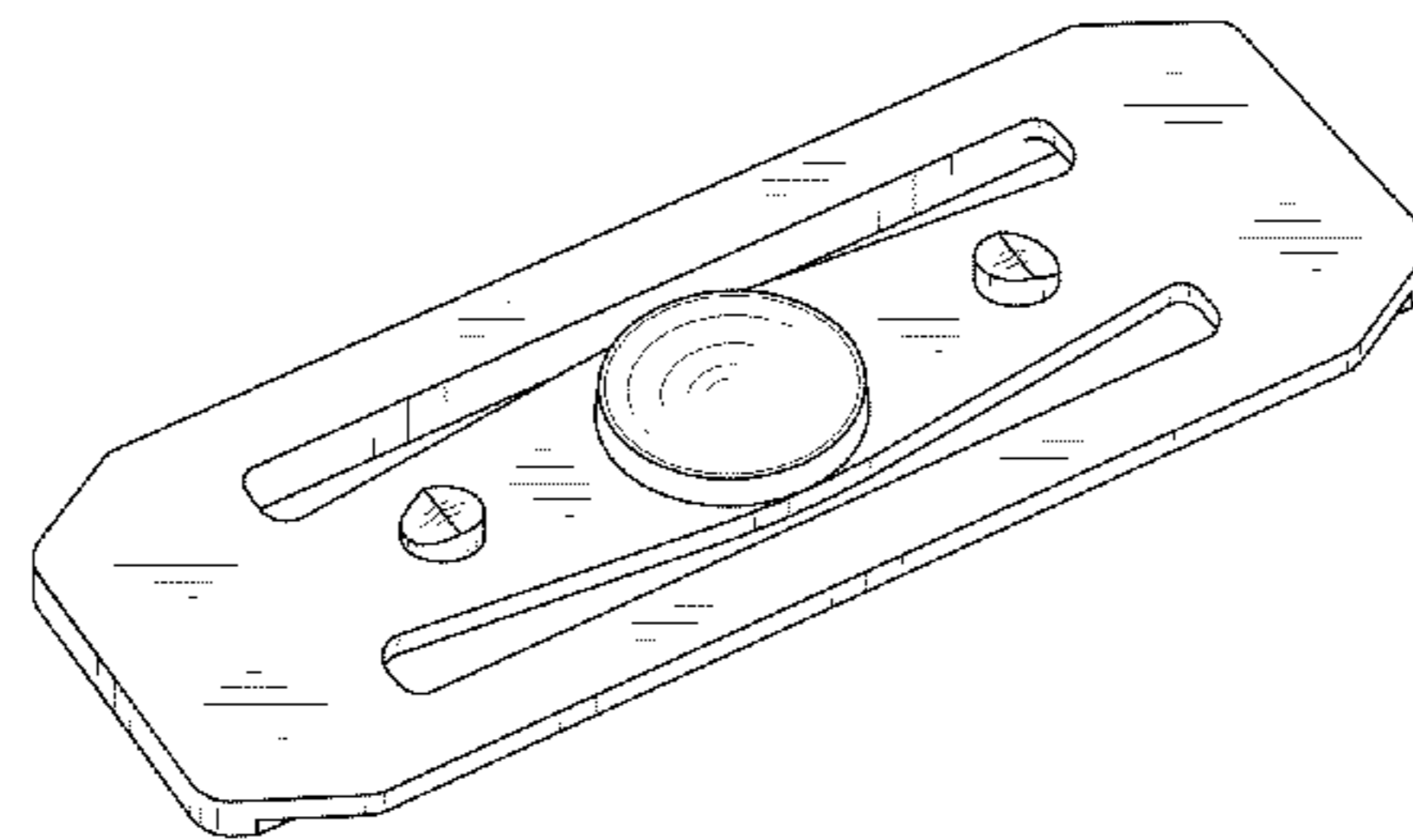
(57) **CLAIM**

The ornamental design for a connector for flexible track sets, as shown described.

DESCRIPTION

FIG. 1 is a perspective view of the top, one end and side of a connector in accordance with my new design;
FIG. 2 is an opposing perspective view of the bottom, another end and side thereof;
FIG. 3 is top plan view thereof;
FIG. 4 is a bottom plan view thereof;
FIG. 5 is a side elevation view thereof, the opposite side elevation view being identical; and,
FIG. 6 is a longitudinal end view thereof, the opposing longitudinal end view being identical.

1 Claim, 3 Drawing Sheets



(56)

References Cited

U.S. PATENT DOCUMENTS

3,734,404 A	5/1973	Baynes et al.	5,579,997 A	12/1996	Jackson et al.
3,735,923 A	5/1973	Brigham et al.	5,779,145 A	7/1998	Zelle et al.
3,775,897 A	12/1973	Soulakis et al.	5,823,531 A	10/1998	Huber
4,054,393 A	10/1977	Talleri	5,826,835 A	10/1998	Wilson et al.
4,106,695 A	8/1978	Carella et al.	5,928,051 A	7/1999	Krog
D250,056 S *	10/1978	Heim D21/565	5,993,283 A	11/1999	Cyrus et al.
4,150,789 A	4/1979	Tong	6,601,774 B1	8/2003	Kasimoff
D261,292 S *	10/1981	Tong D21/565	6,647,893 B1	11/2003	Fugitt et al.
4,397,419 A	8/1983	Fischer	6,948,998 B2 *	9/2005	Bagley 446/124
4,461,116 A	7/1984	Bach	D588,209 S *	3/2009	Shimizu D21/502
4,544,094 A	10/1985	Scholey	D630,262 S	1/2011	Hornsby et al.
4,989,782 A	2/1991	McKie	7,922,101 B2	4/2011	Norman et al.
4,993,631 A	2/1991	Niehoff	8,197,297 B2 *	6/2012	Shimizu 446/114
5,139,198 A	8/1992	Niehoff	2004/0182947 A1 *	9/2004	Wa 238/10 R
5,222,902 A	6/1993	Piersch	2011/0042473 A1	2/2011	Hesse
			2013/0126628 A1	5/2013	DiBartolo et al.
			2014/0134915 A1 *	5/2014	Wilson 446/85

* cited by examiner

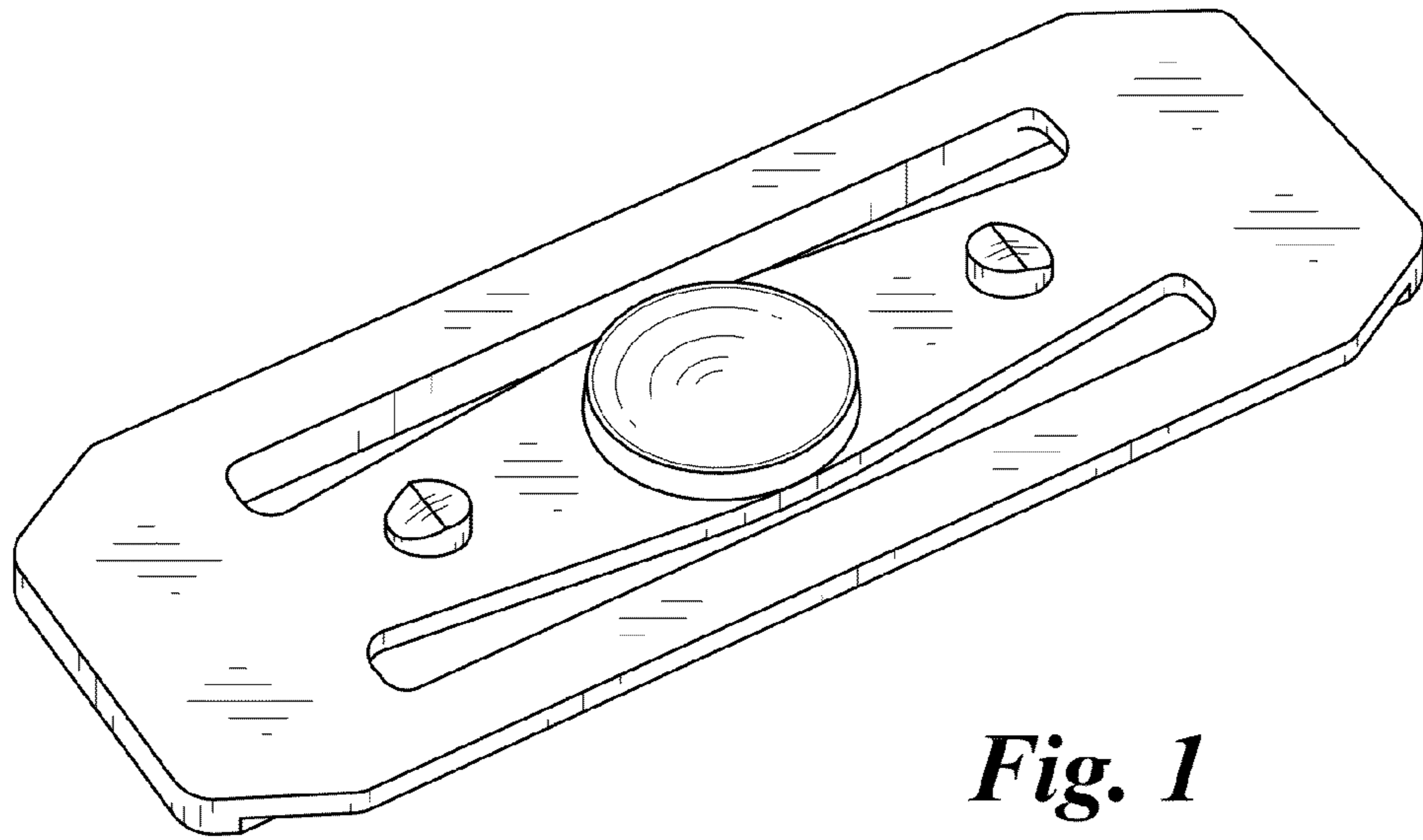


Fig. 1

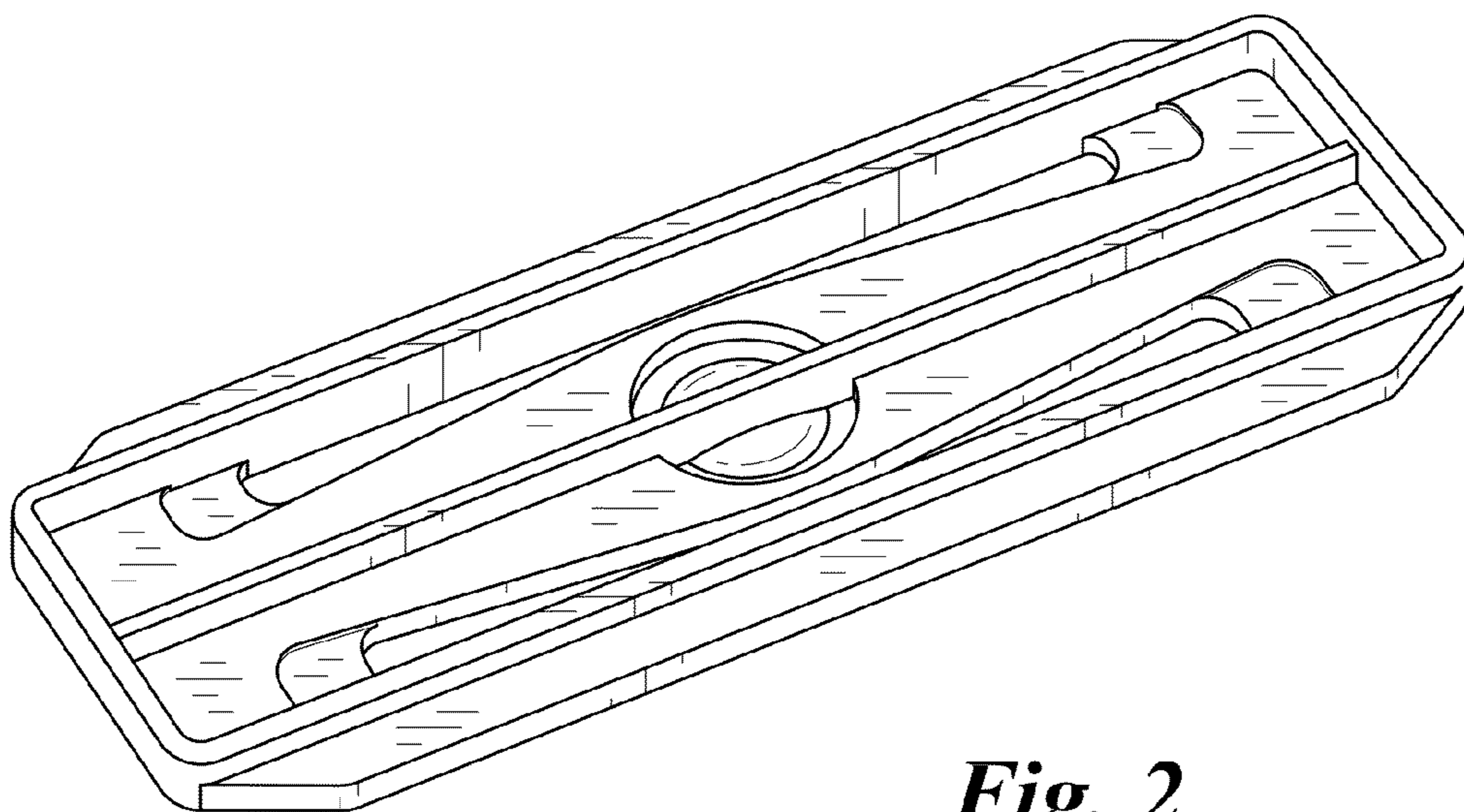


Fig. 2

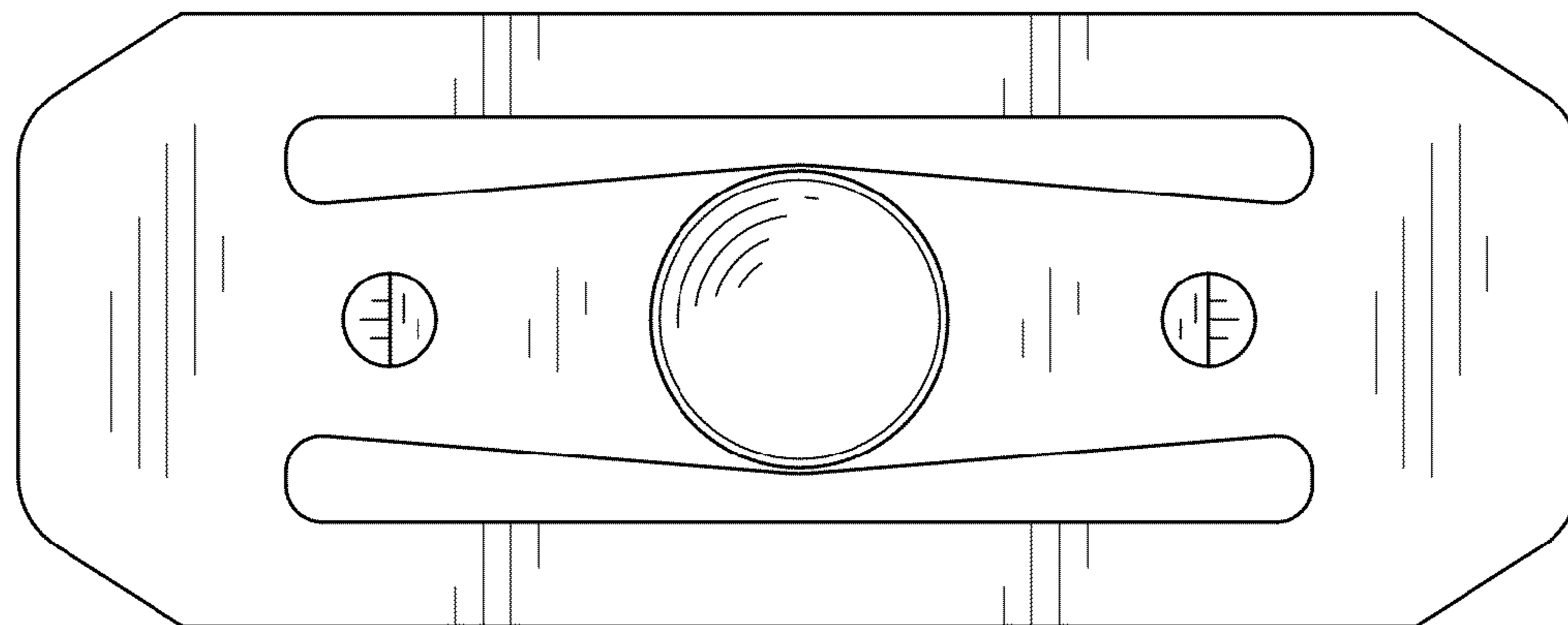


Fig. 3

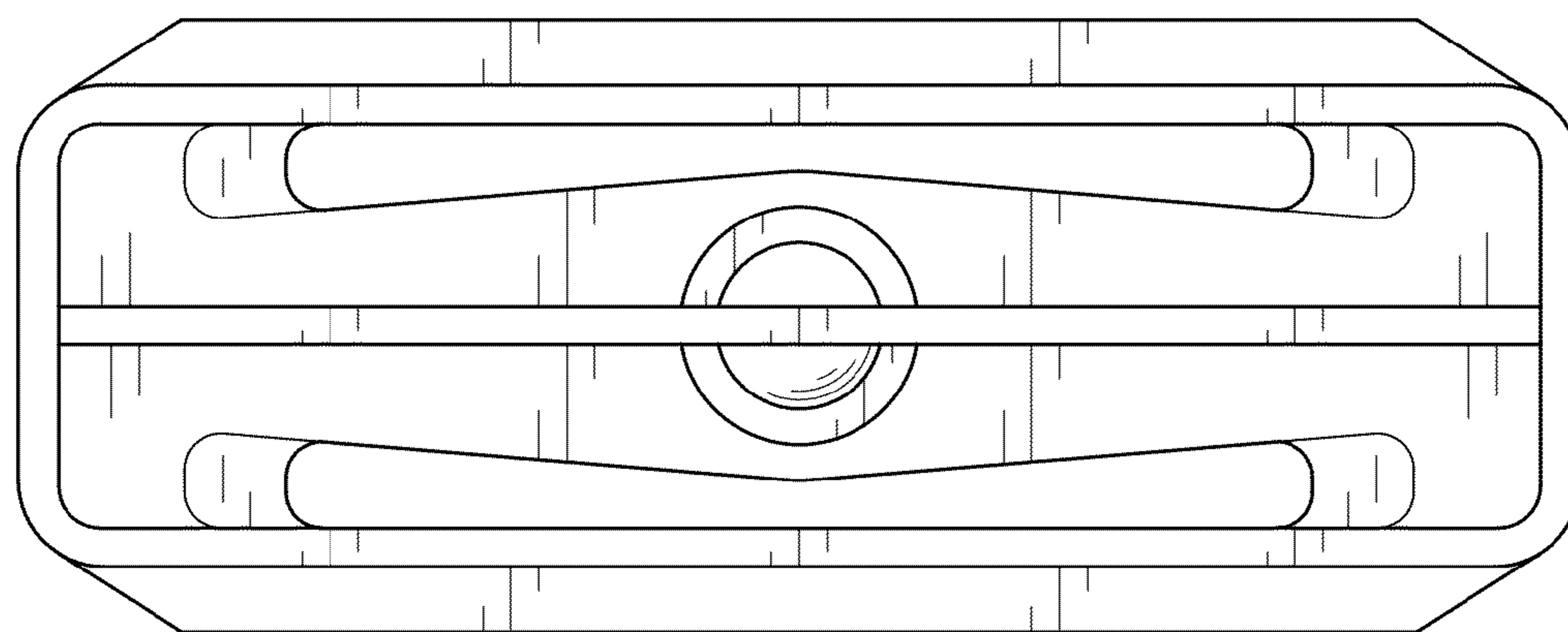


Fig. 4

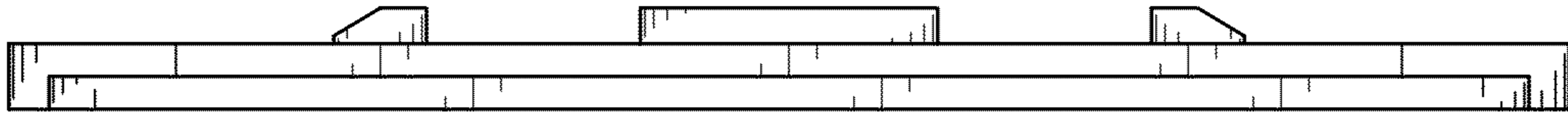


Fig. 5

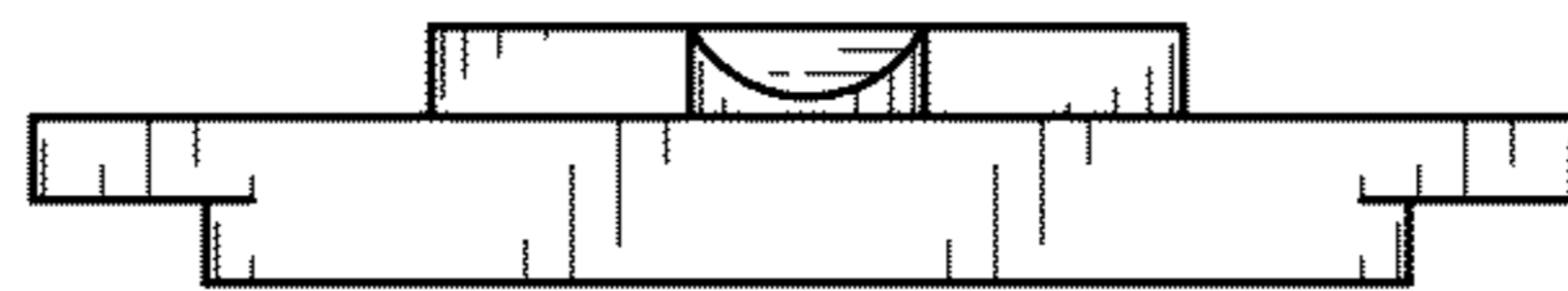


Fig. 6