



US00D718818S

(12) **United States Design Patent**  
**Sumii et al.**

(10) **Patent No.:** **US D718,818 S**

(45) **Date of Patent:** **\*\* \*Dec. 2, 2014**

(54) **CONTROLLER FOR ELECTRONIC DEVICE**

(71) Applicant: **Sony Computer Entertainment Inc.,**  
Tokyo (JP)

(72) Inventors: **Tetsu Sumii, Tokyo (JP); Ennin Huang,**  
Tokyo (JP)

(73) Assignee: **Sony Computer Entertainment, Inc.,**  
Tokyo (JP)

(\*) Notice: This patent is subject to a terminal disclaimer.

(\*\*) Term: **14 Years**

(21) Appl. No.: **29/460,688**

(22) Filed: **Jul. 12, 2013**

(30) **Foreign Application Priority Data**

Feb. 19, 2013 (JP) ..... D2013-003269

(51) **LOC (10) Cl.** ..... **21-01**

(52) **U.S. Cl.**  
USPC ..... **D21/333; D14/401**

(58) **Field of Classification Search**  
CPC ..... A63F 13/02  
USPC ..... D14/399-401, 412-416; D21/324, 333;  
273/148 B; 463/1, 29-39, 46, 47;  
345/156-161, 905

See application file for complete search history.

(56) **References Cited**

**U.S. PATENT DOCUMENTS**

5,551,693 A 9/1996 Goto et al.  
D376,826 S \* 12/1996 Ashida ..... D14/401  
D377,057 S \* 12/1996 Lee ..... D14/401  
D382,603 S 8/1997 Goto  
D387,286 S \* 12/1997 Wong ..... D10/15  
D393,885 S 4/1998 Goto

5,759,100 A \* 6/1998 Nakanishi ..... 463/37  
D397,164 S 8/1998 Goto  
D398,032 S 9/1998 Goto  
D402,317 S 12/1998 Goto  
D405,835 S 2/1999 Goto  
D416,588 S 11/1999 Goto  
D430,222 S 8/2000 Goto  
D430,223 S 8/2000 Goto  
D431,051 S 9/2000 Goto  
D439,580 S 3/2001 Goto  
D441,369 S 5/2001 Goto  
D442,180 S 5/2001 Goto  
D443,617 S 6/2001 Goto  
D443,618 S 6/2001 Goto  
D443,877 S 6/2001 Goto  
D444,469 S 7/2001 Goto  
D444,470 S 7/2001 Goto  
D561,190 S 2/2008 Goto

(Continued)

*Primary Examiner* — Prabhakar Deshmukh

(74) *Attorney, Agent, or Firm* — Rader, Fishman & Grauer  
PLLC

(57) **CLAIM**

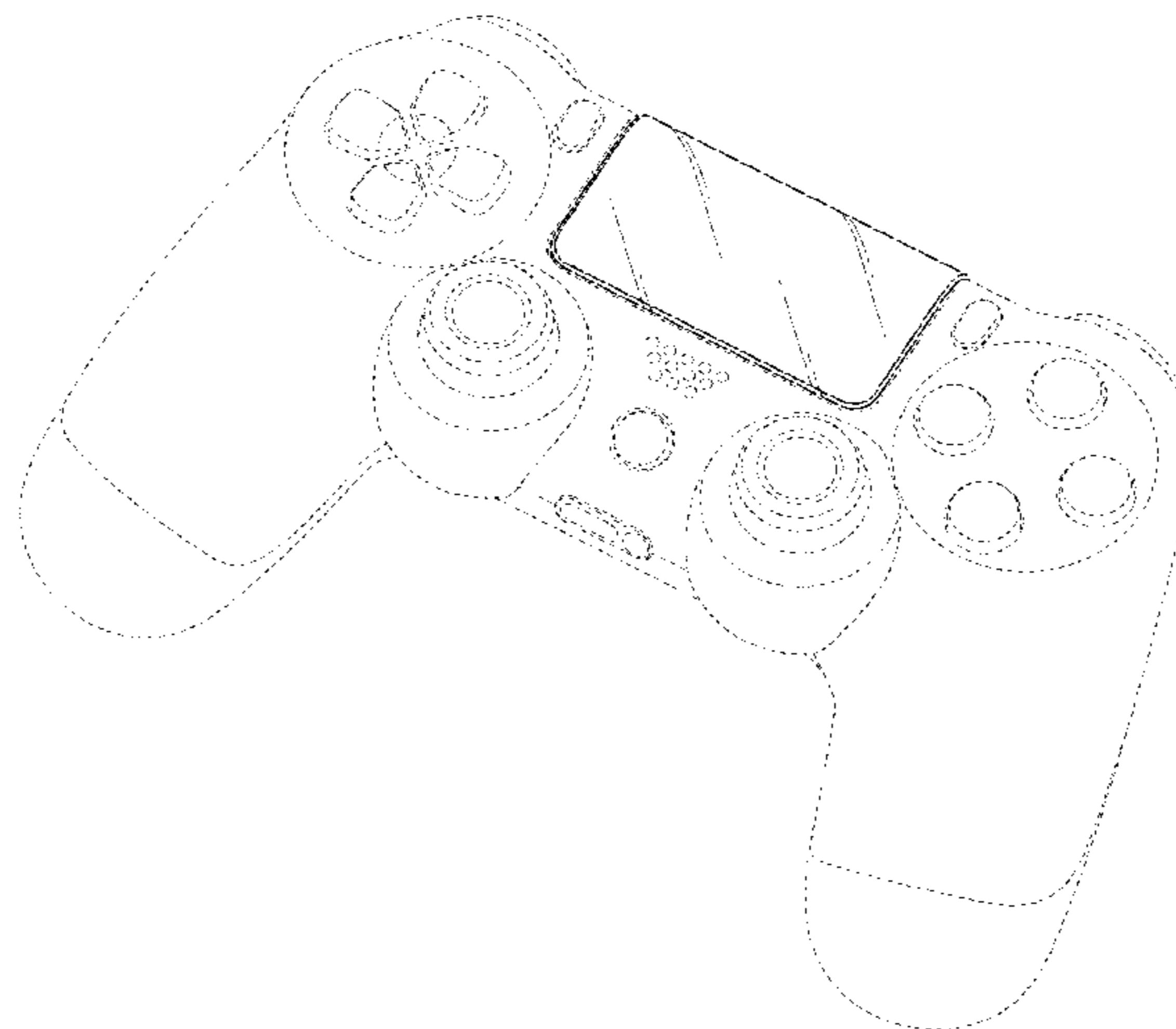
The ornamental design for the controller for electronic device, as shown and described.

**DESCRIPTION**

FIG. 1 is a front, bottom, right perspective view of the controller for electronic device showing our new design; FIG. 2 is a rear, top, left perspective view thereof; FIG. 3 is a front, top, left perspective view thereof; FIG. 4 is a front elevational view thereof; FIG. 5 is a rear elevational view thereof; FIG. 6 is a left side elevational view thereof; FIG. 7 is a right side elevational view thereof; FIG. 8 is a top plan view thereof; and, FIG. 9 is a bottom plan view thereof.

The broken lines indicate the unclaimed portions of the controller for electronic device and form no part of the claimed design.

**1 Claim, 6 Drawing Sheets**



# US D718,818 S

Page 2

---

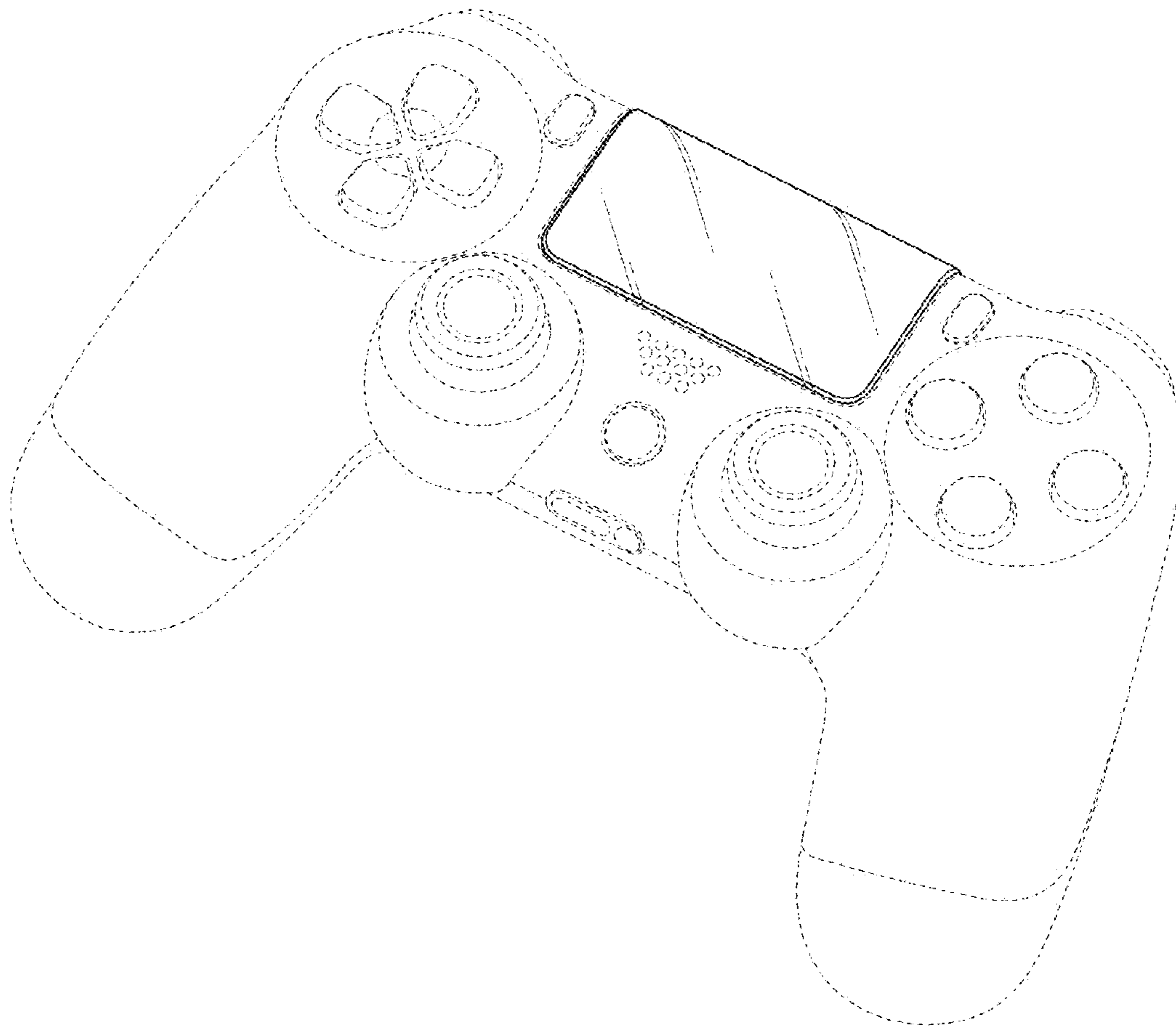
(56)

## References Cited

### U.S. PATENT DOCUMENTS

7,432,451 B2 *	10/2008	Yamada	.....	174/260	8,137,185 B2 *	3/2012	Crowder et al.	.....	463/20
D581,989 S *	12/2008	Nakamura	.....	D21/329	8,212,970 B2 *	7/2012	Nagata	.....	349/96
D585,931 S *	2/2009	Palmer	.....	D18/7	8,241,124 B2 *	8/2012	Kelly et al.	.....	463/34
					D685,484 S *	7/2013	Brambilla	.....	D24/190
					D689,138 S *	9/2013	Ashida et al.	.....	D21/332

\* cited by examiner



*FIG. 1*

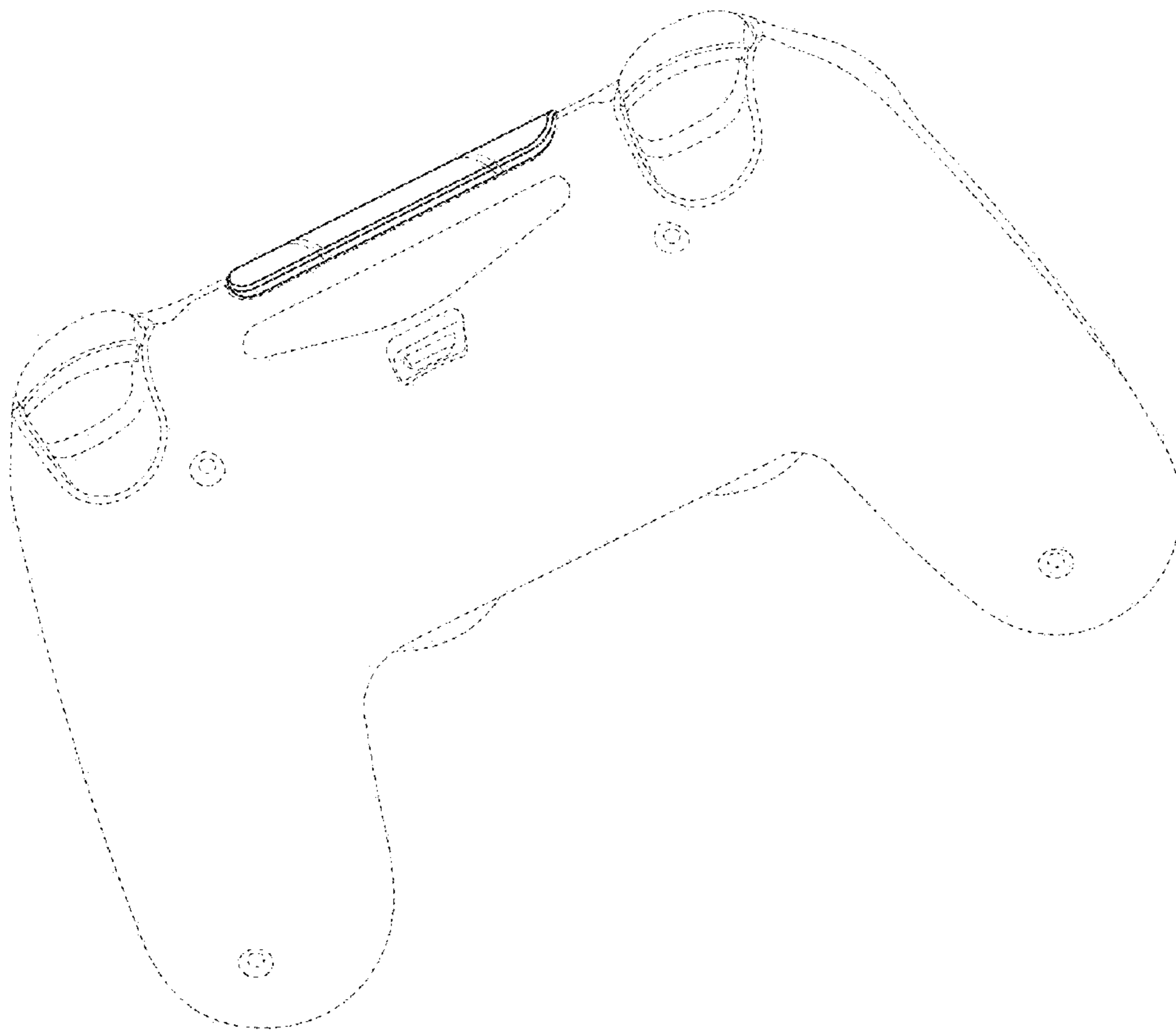


FIG. 2

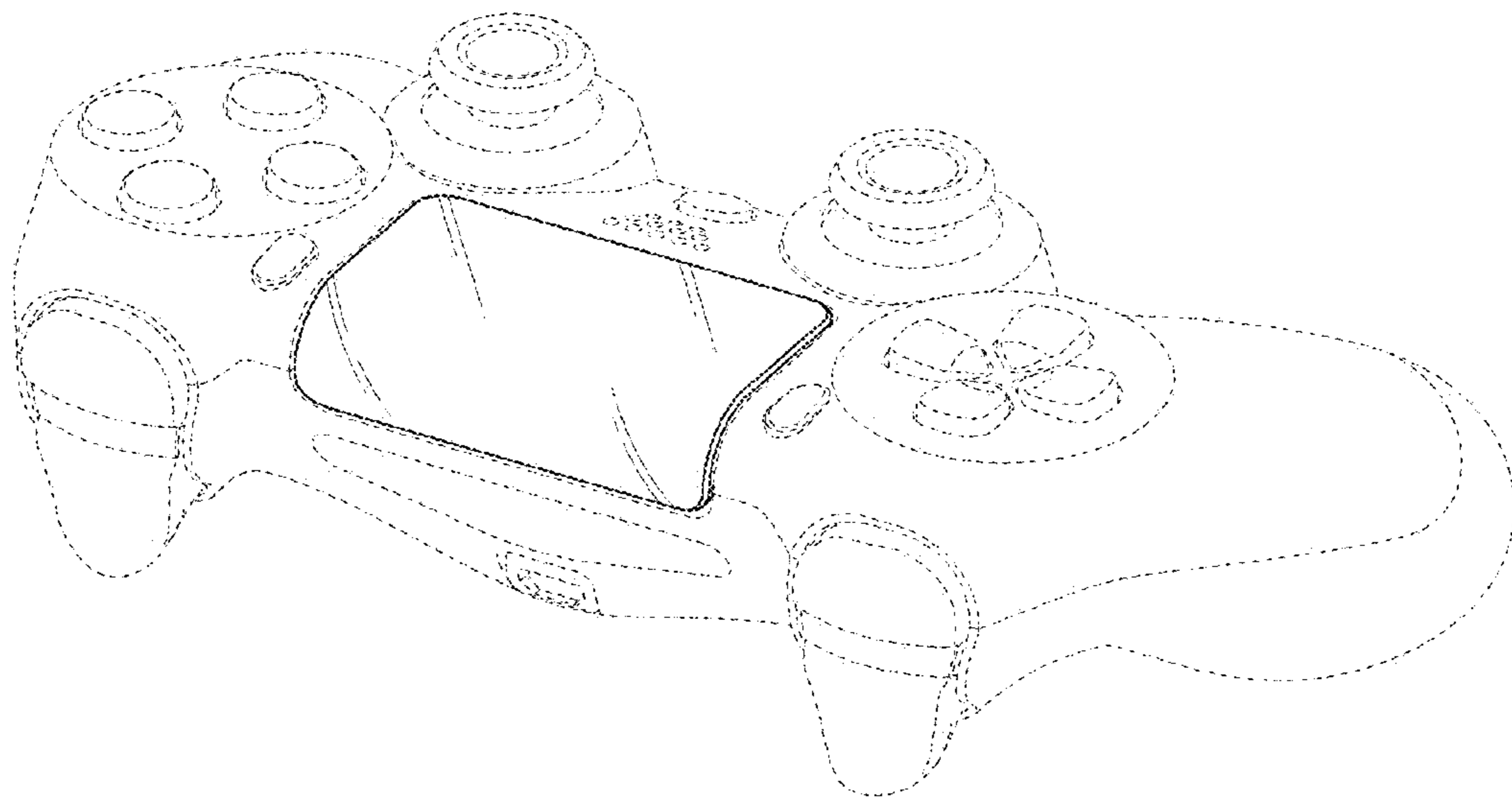


FIG. 3

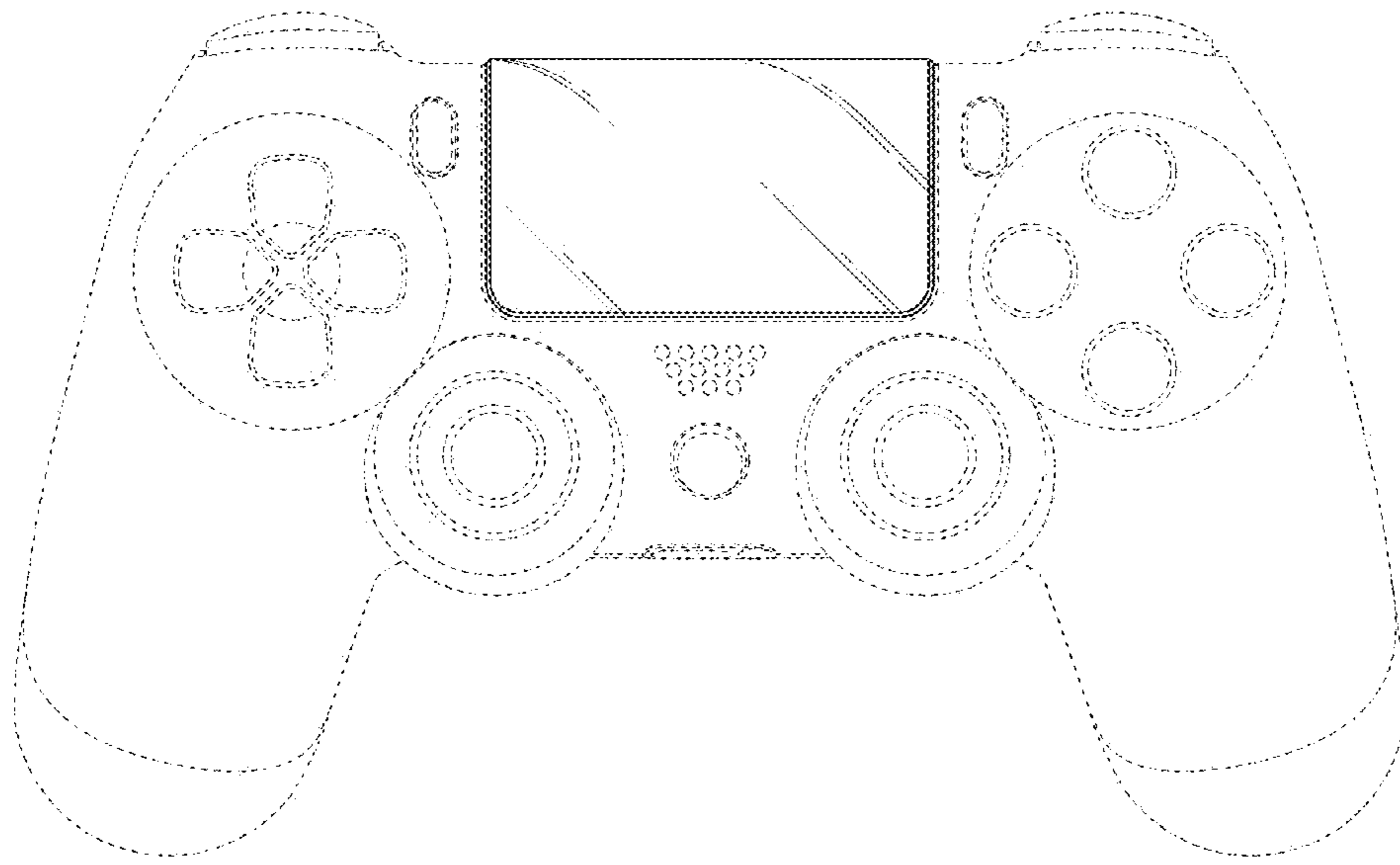


FIG. 4

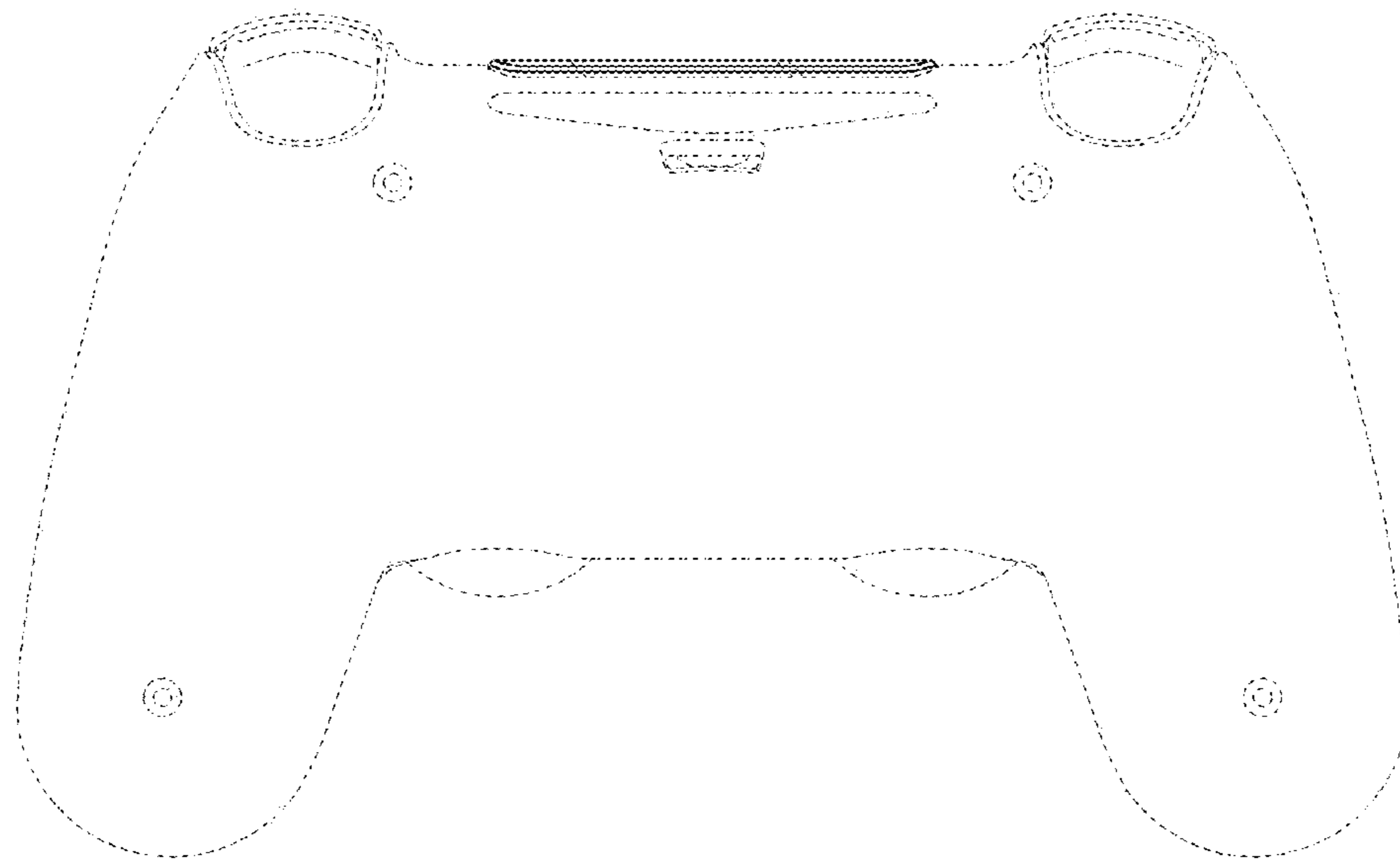
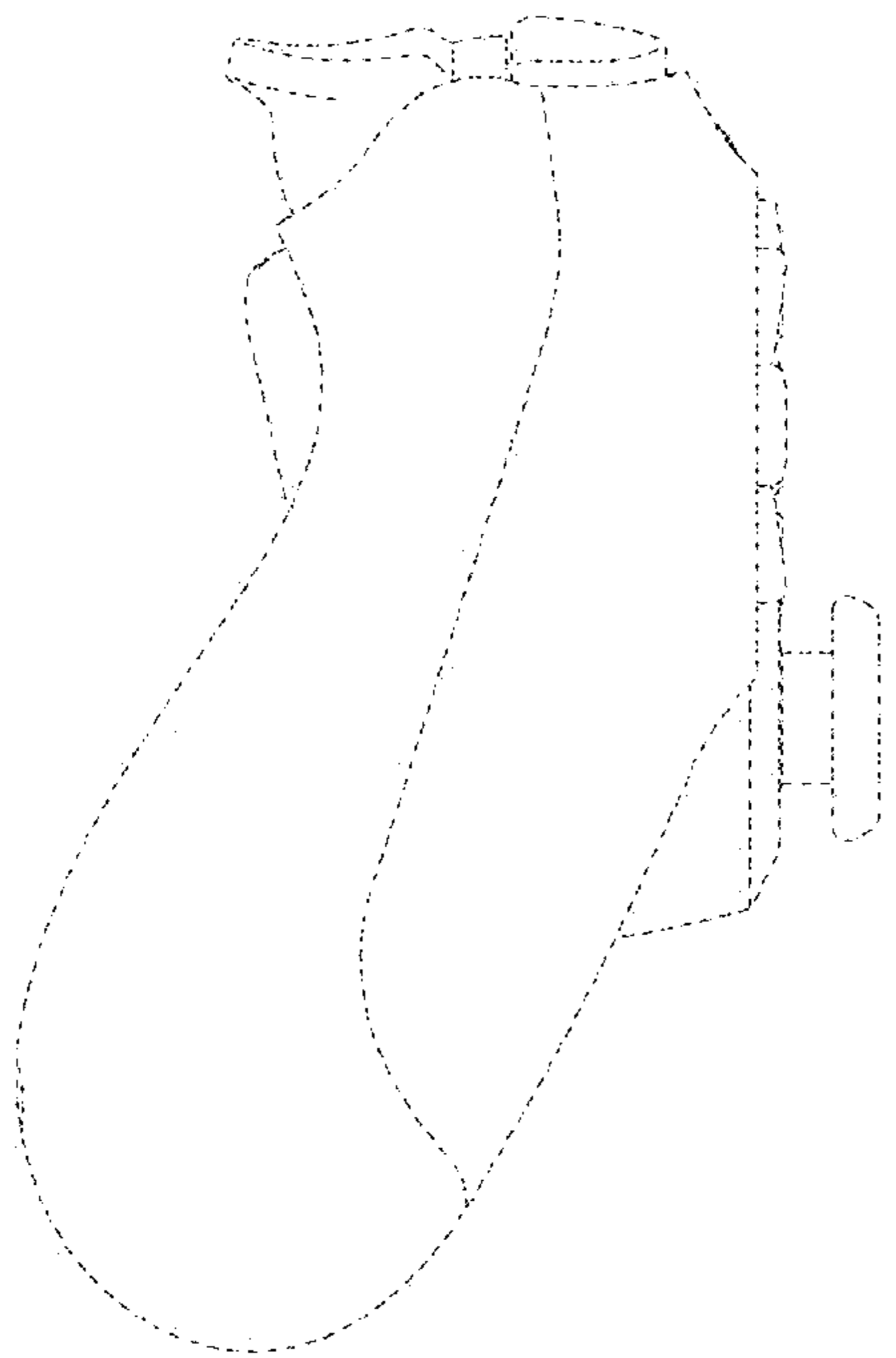
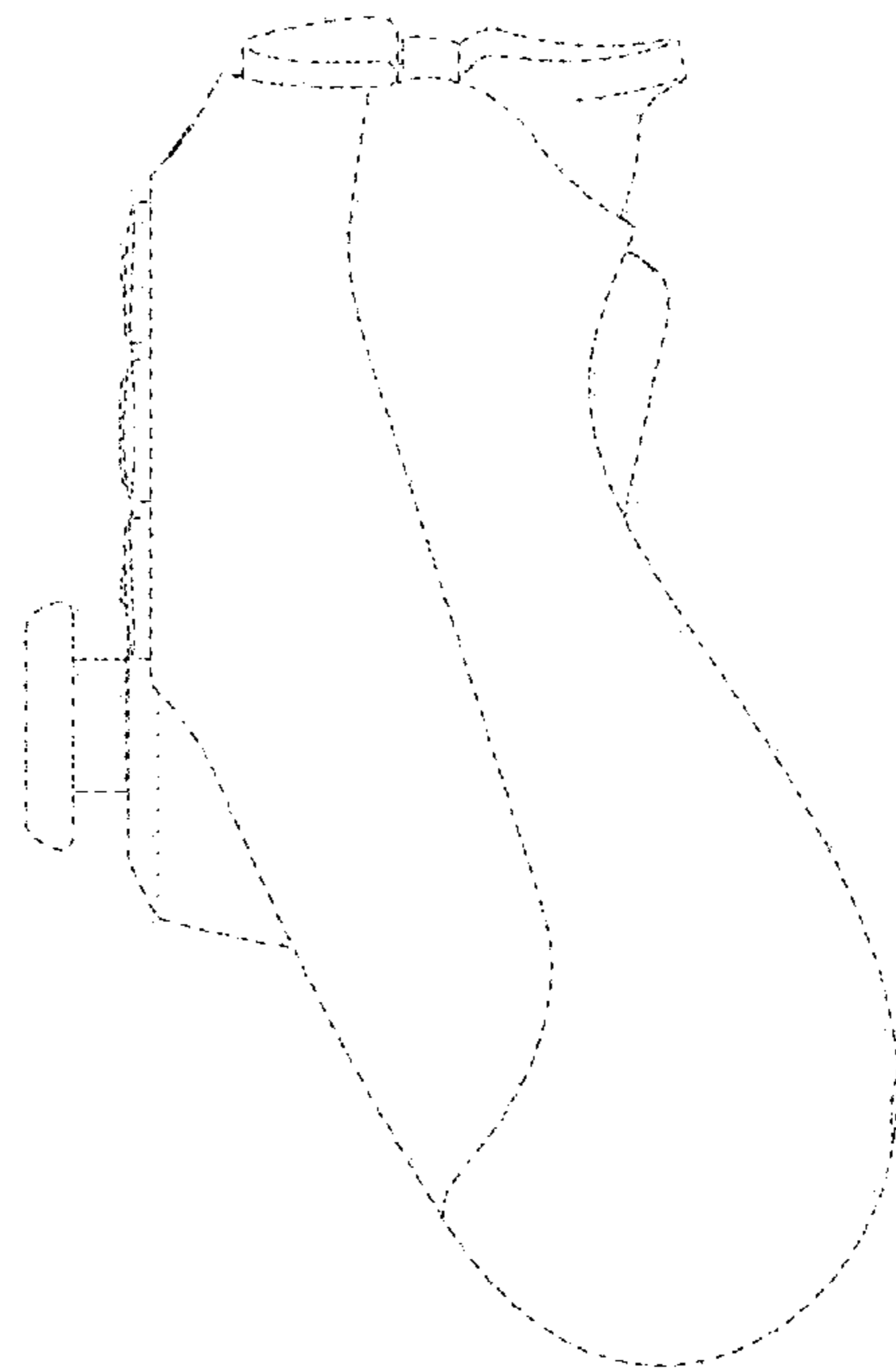


FIG. 5



*FIG. 6*



*FIG. 7*



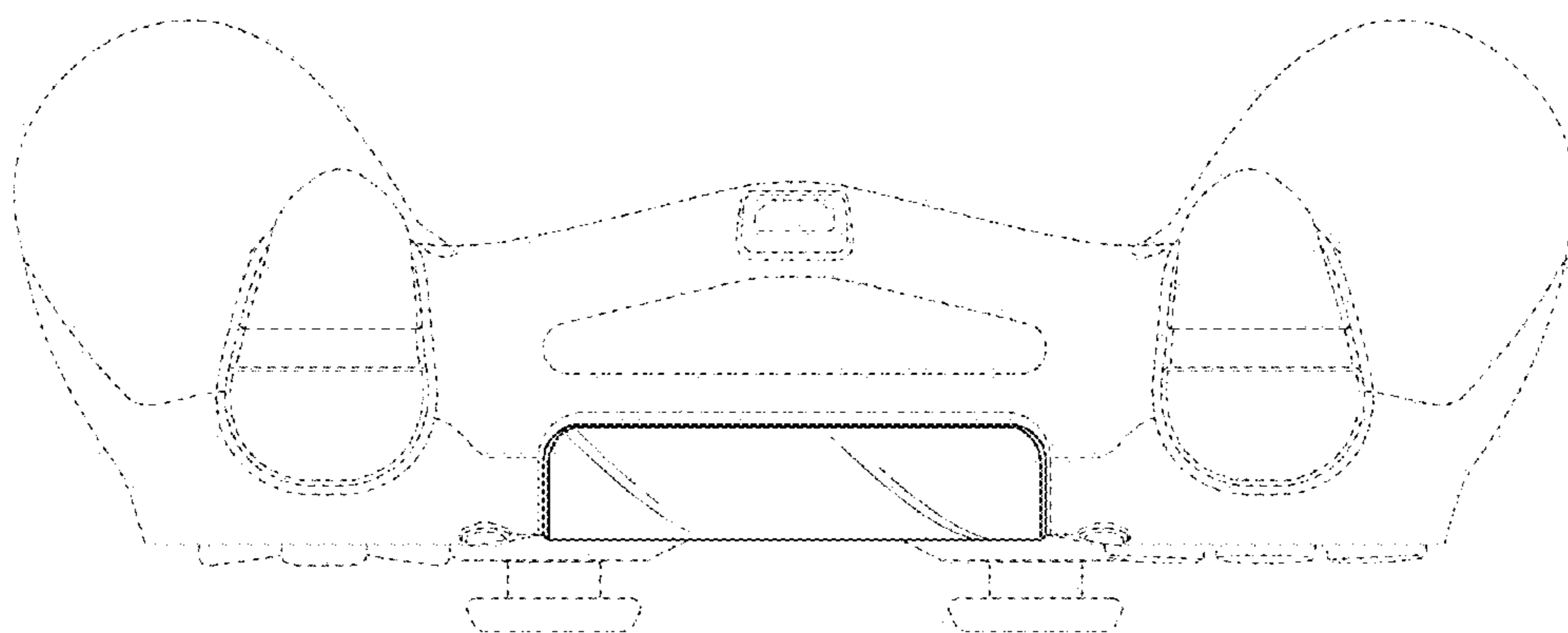


FIG. 8

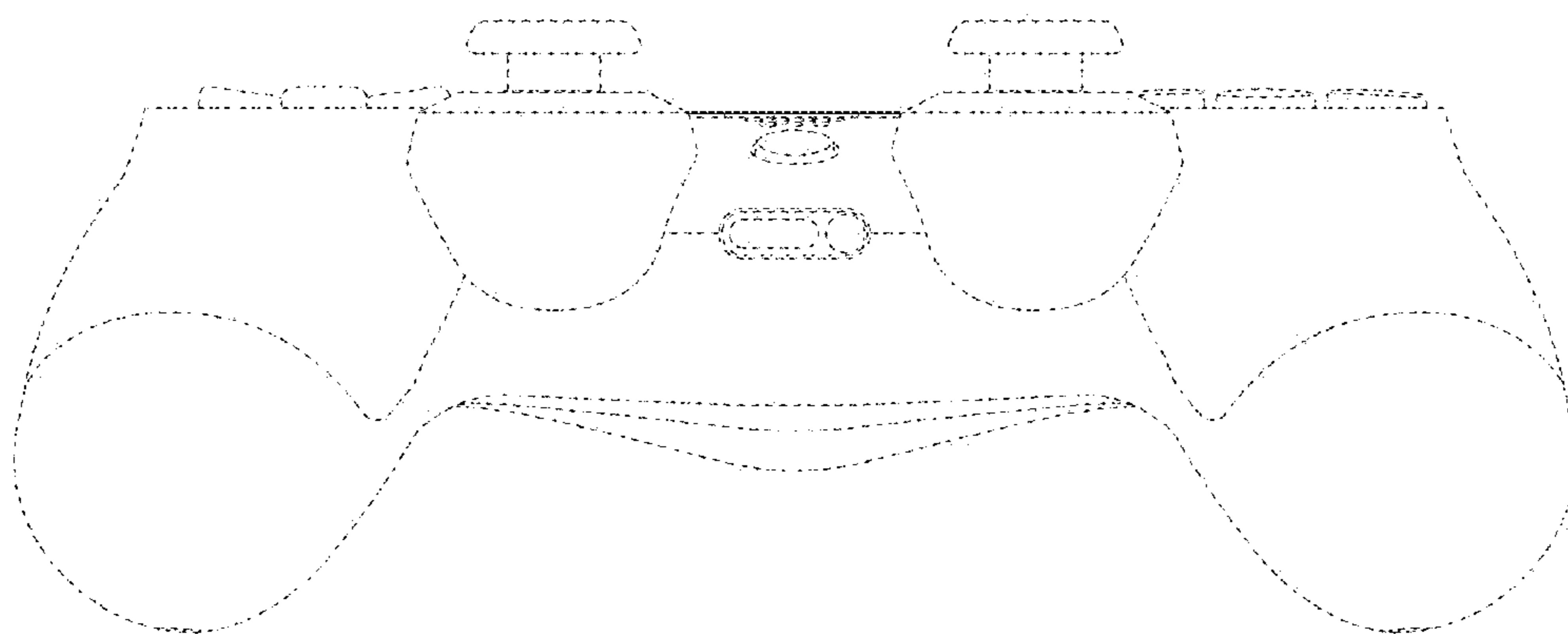


FIG. 9