

US00D718814S

(12) **United States Design Patent**
Cline et al.

(10) **Patent No.:** **US D718,814 S**
(45) **Date of Patent:** **** Dec. 2, 2014**

- (54) **PENCIL SHARPENER**
- (71) Applicants: **Scott Michael Cline**, New Albany, OH (US); **Harlan C. Peden, III**, Sunbury, OH (US)
- (72) Inventors: **Scott Michael Cline**, New Albany, OH (US); **Harlan C. Peden, III**, Sunbury, OH (US)
- (73) Assignee: **Elmer's Products, Inc.**, Westerville, OH (US)
- (**) Term: **14 Years**
- (21) Appl. No.: **29/494,347**
- (22) Filed: **Jun. 19, 2014**
- (51) **LOC (10) Cl.** **19-06**
- (52) **U.S. Cl.**
USPC **D19/73**
- (58) **Field of Classification Search**
CPC B43L 23/008; B43L 23/08; B43L 23/00; B43L 23/06
USPC D19/72, 73, 74; 30/451-462; 144/28.1, 144/28.11, 28.2-28.7, 28.72, 28.8, 28.9
See application file for complete search history.

(56) **References Cited**

U.S. PATENT DOCUMENTS

D152,554	S	*	2/1949	May	D19/74
2,822,781	A	*	2/1958	Burton	144/28.5
2,900,958	A	*	8/1959	Johnson	144/28.71
3,134,365	A	*	5/1964	Hori	144/28.5
D211,297	S	*	6/1968	La Zar et al.	D19/73
3,556,182	A	*	1/1971	Tanigami	144/28.5
D237,610	S	*	11/1975	Macowski	D19/73
D320,812	S	*	10/1991	Yuen	D19/73
D354,987	S	*	1/1995	Yuen	D19/73
D406,173	S	*	2/1999	Chen	D19/73

5,875,555	A	*	3/1999	Andrisin et al.	30/452
D441,796	S	*	5/2001	Chan	D19/73
D495,004	S	*	8/2004	Yuen	D19/73
D500,798	S	*	1/2005	Yuen	D19/73
6,886,614	B2	*	5/2005	Ricono et al.	144/28.11
6,966,117	B1	*	11/2005	Cannon	30/451
7,134,461	B2	*	11/2006	Takada	144/28.72
D545,372	S	*	6/2007	Kent et al.	D19/73
D553,193	S	*	10/2007	Parrish et al.	D19/73
D569,914	S	*	5/2008	Kotani et al.	D19/73
7,654,179	B2	*	2/2010	Parrish et al.	83/13
D614,698	S	*	4/2010	Magid et al.	D19/73
8,353,323	B2	*	1/2013	Schumacher et al.	144/28.1
2007/0074409	A1	*	4/2007	Hsu et al.	30/451
2013/0186517	A1	*	7/2013	Cheng et al.	144/28.72
2013/0263971	A1	*	10/2013	Hsu	144/414
2014/0144548	A1	*	5/2014	Huang	144/28.72

* cited by examiner

Primary Examiner — Elizabeth Albert

(74) *Attorney, Agent, or Firm* — McNees Wallace & Nurick

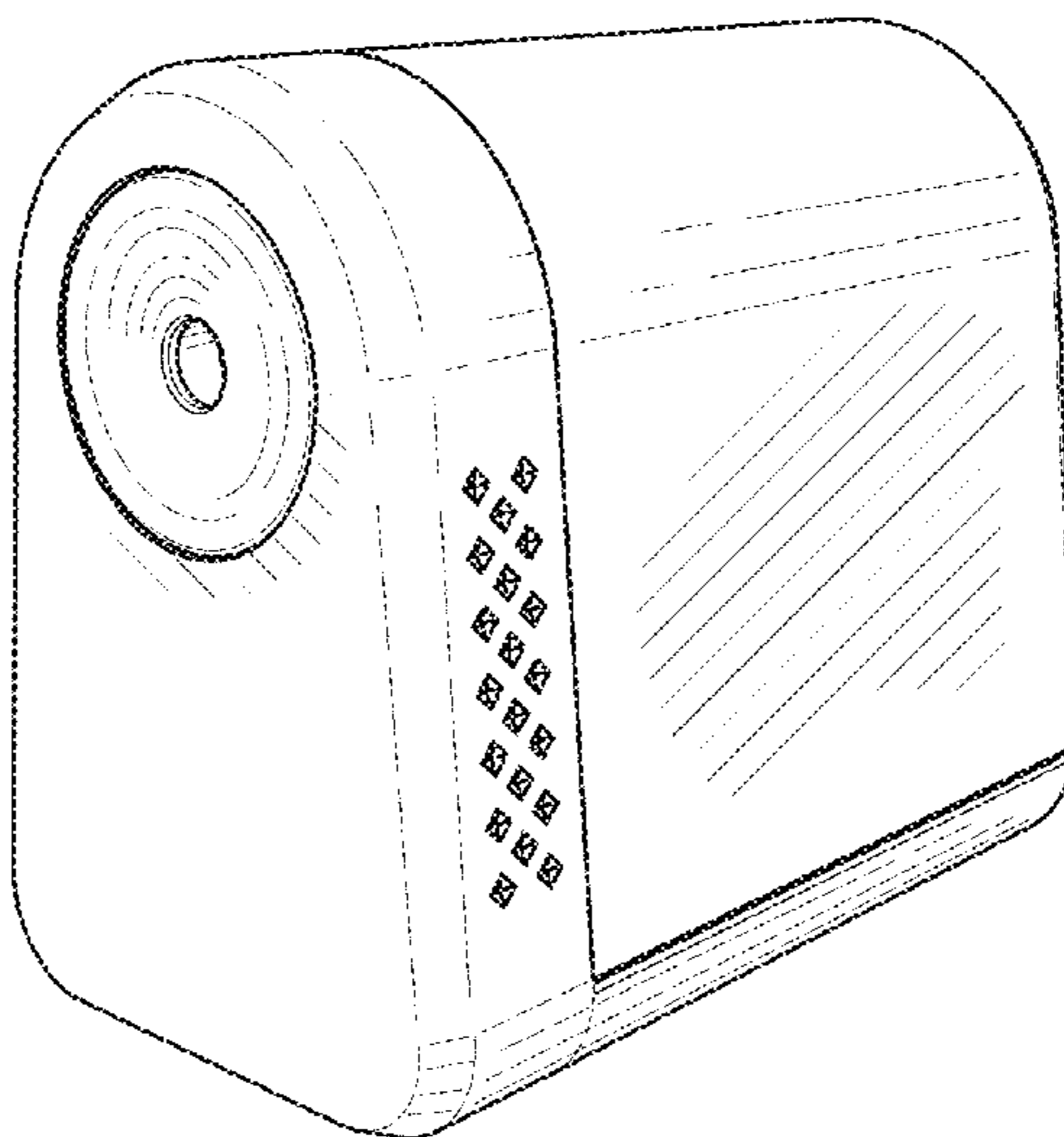
(57) **CLAIM**

The ornamental design for a pencil sharpener, as shown and described.

DESCRIPTION

FIG. 1 is a front perspective view of a pencil sharpener showing the design;
 FIG. 2 is a front elevation view of the pencil sharpener of FIG. 1;
 FIG. 3 is a left side elevation view of the pencil sharpener of FIG. 1;
 FIG. 4 is right side elevation view of the pencil sharpener of FIG. 1;
 FIG. 5 is a rear perspective view of the pencil sharpener of FIG. 1; and,
 FIG. 6 is bottom view of the pencil sharpener of FIG. 1.
 The broken lines in the drawings illustrate features that form no part of the claim.

1 Claim, 3 Drawing Sheets



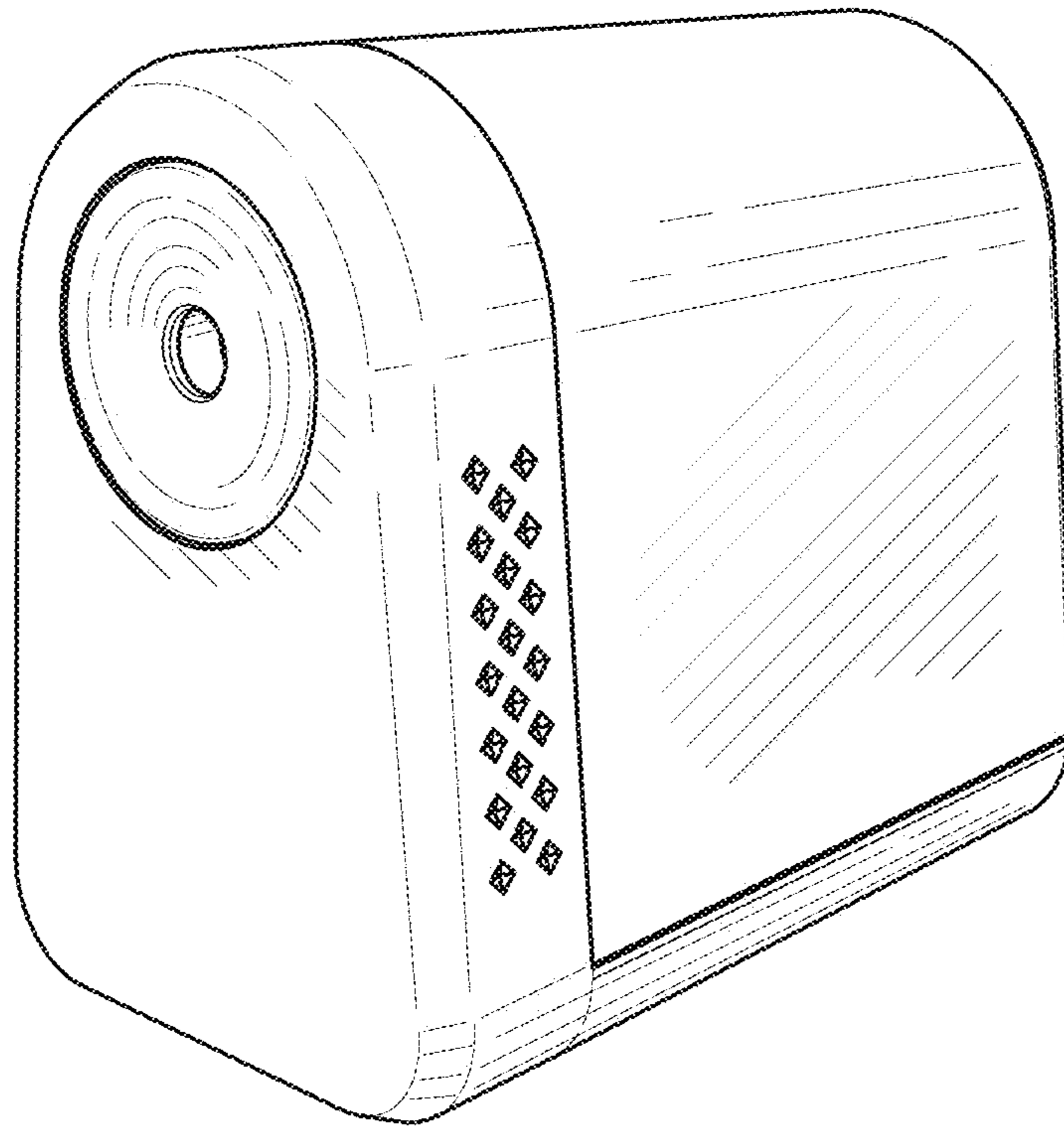


FIG. 1

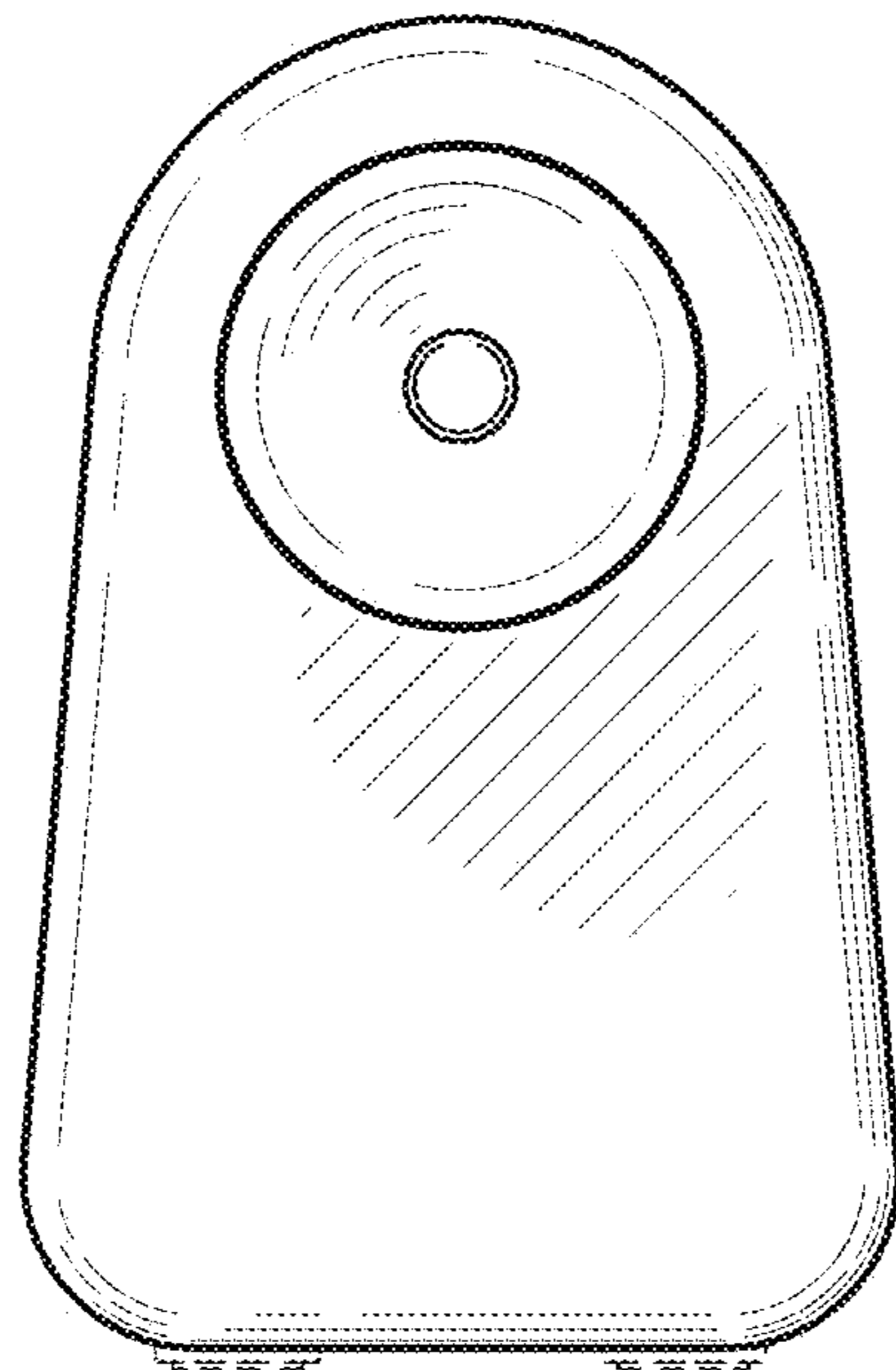


FIG. 2

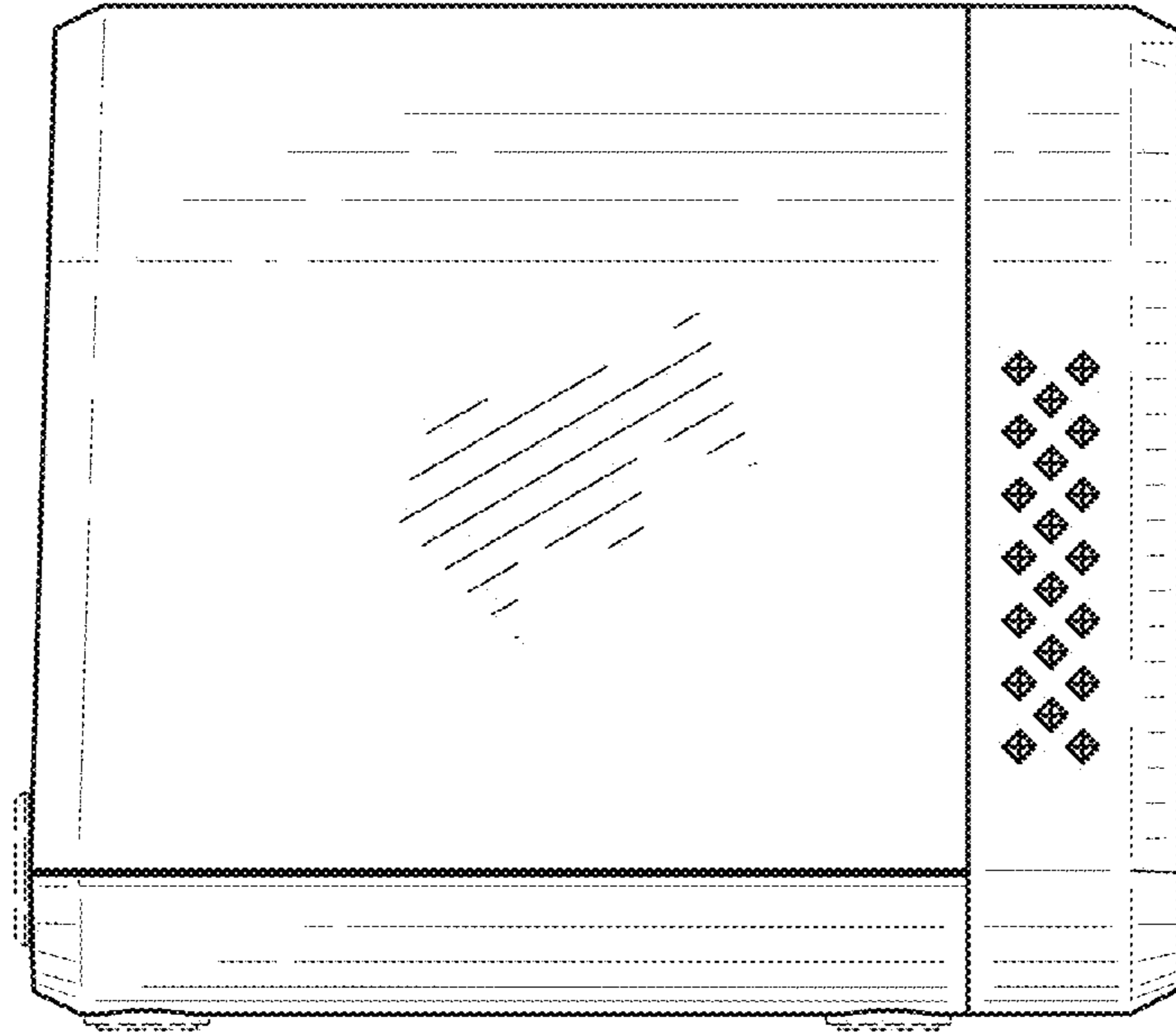


FIG. 3

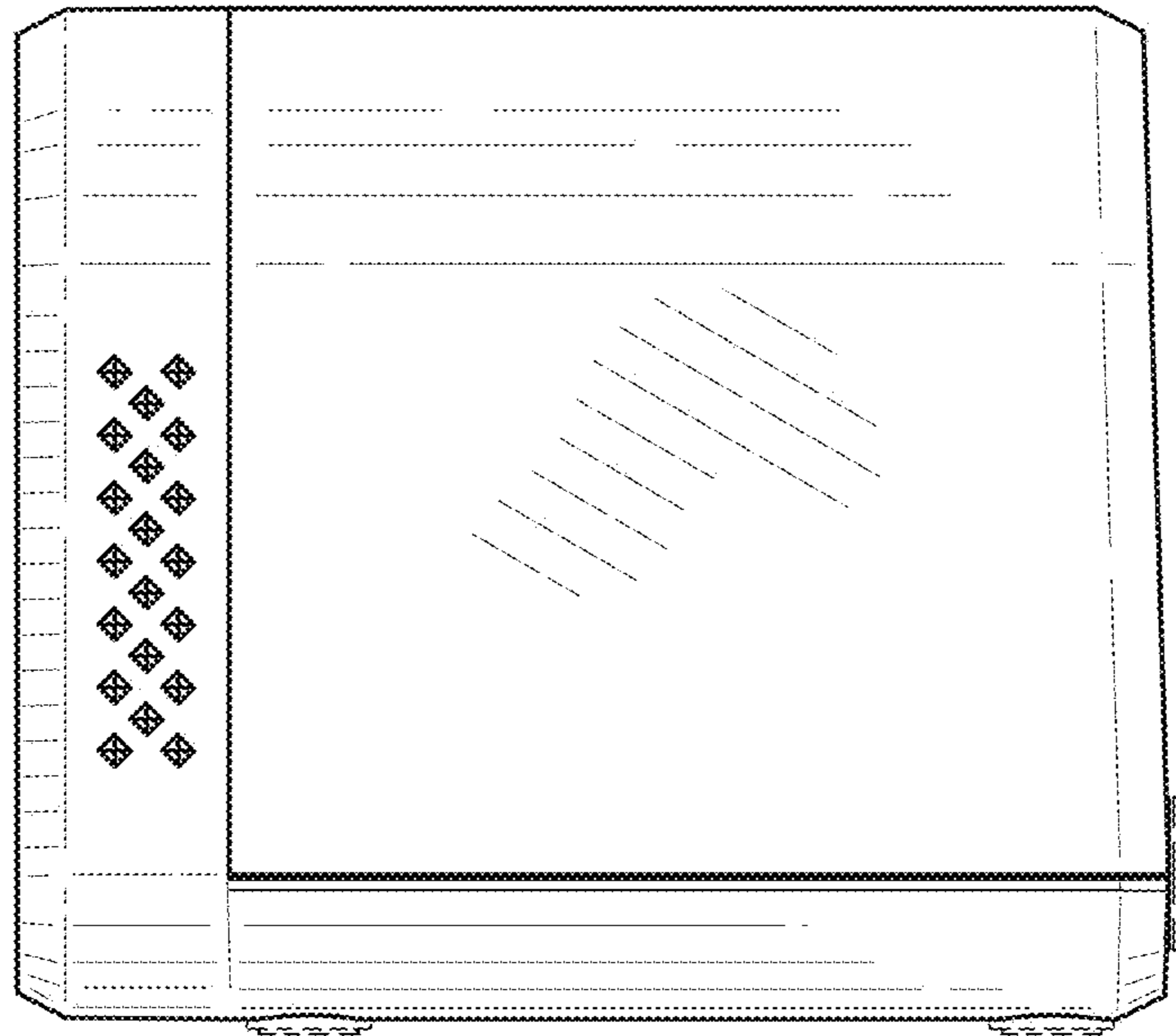


FIG. 4

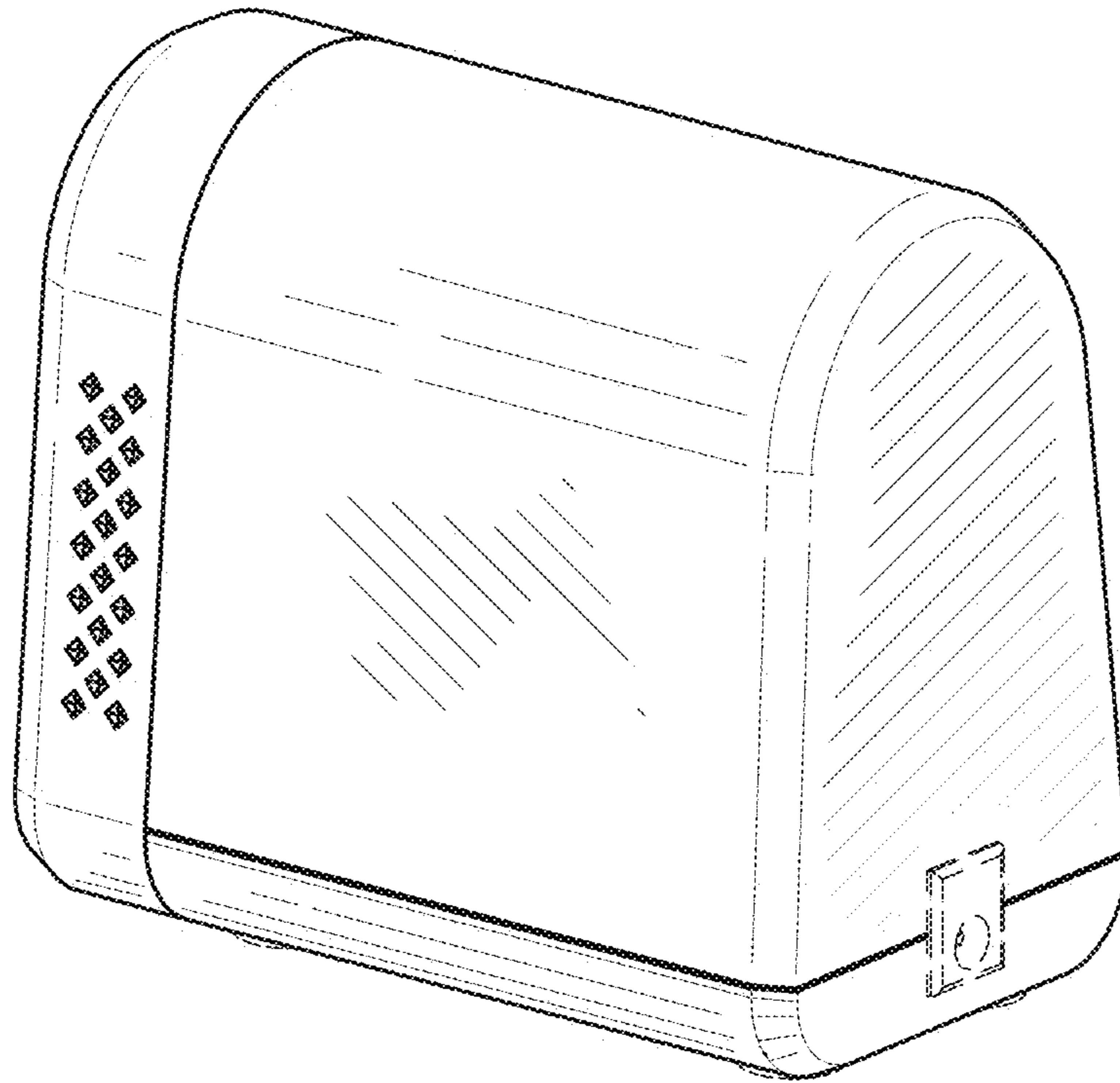


FIG. 5

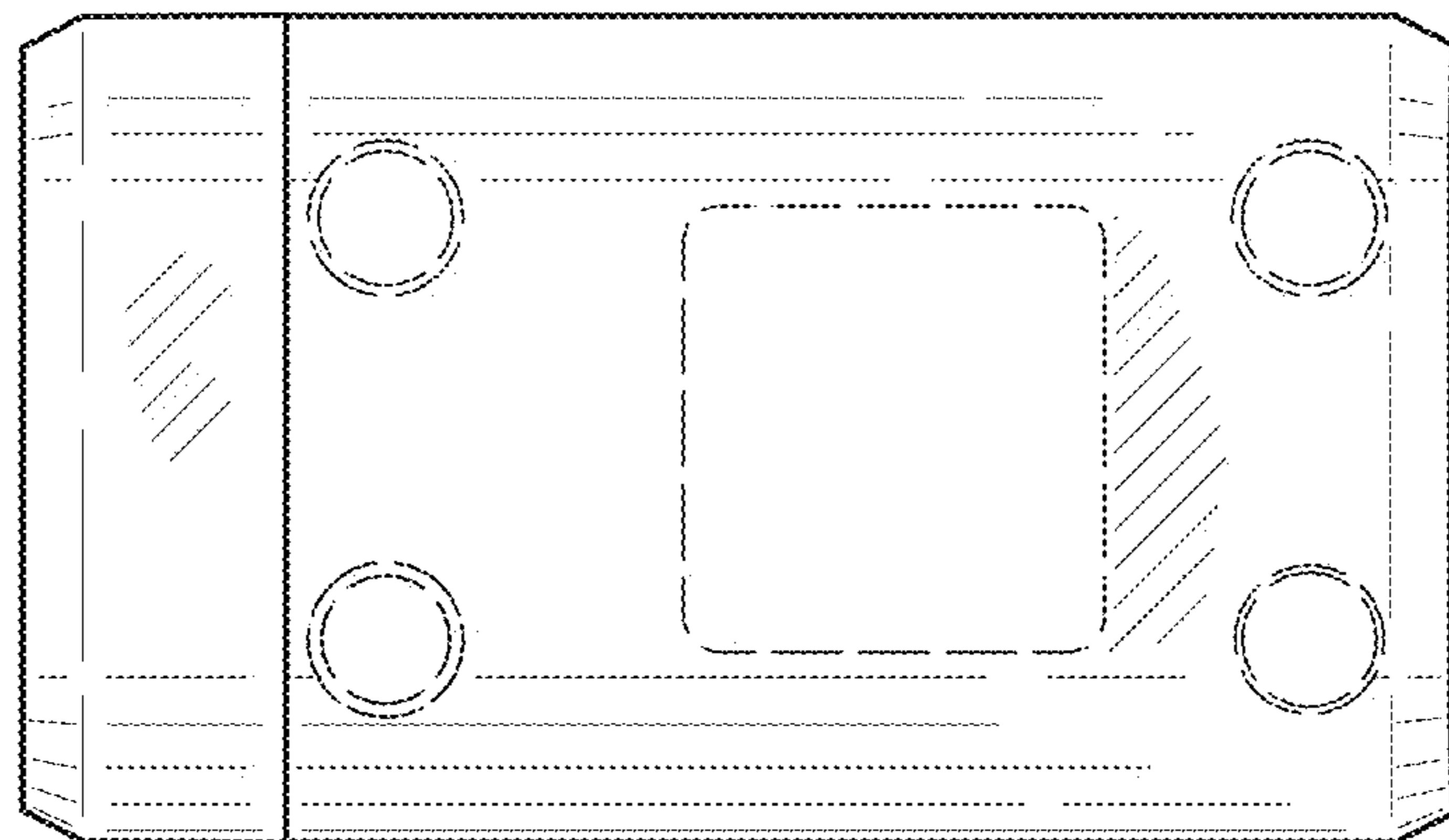


FIG. 6