



US00D718811S

(12) **United States Design Patent**
Horn

(10) **Patent No.:** **US D718,811 S**

(45) **Date of Patent:** **** Dec. 2, 2014**

(54) **MATING RING PORTIONS FOR USE WITH BINDERS**

(71) Applicant: **Hans Johann Horn**, Bern (CH)

(72) Inventor: **Hans Johann Horn**, Bern (CH)

(73) Assignee: **Hans Johann Horn**, Bern (CH)

(**) Term: **14 Years**

(21) Appl. No.: **29/458,039**

(22) Filed: **Jun. 14, 2013**

Related U.S. Application Data

(63) Continuation of application No. 13/839,608, filed on Mar. 15, 2013.

(51) **LOC (10) Cl.** **19-04**

(52) **U.S. Cl.**
USPC **D19/32**

(58) **Field of Classification Search**
USPC D19/32; D8/339, 356, 382; 402/19-20,
402/31, 36, 38, 41; 439/291, 357
See application file for complete search history.

(56) **References Cited**

U.S. PATENT DOCUMENTS

1,439,367 A 12/1922 Krag
1,440,394 A 1/1923 Krag

(Continued)

FOREIGN PATENT DOCUMENTS

GB 2292343 2/1996
JP 1299095 12/1989
JP 10217662 8/1998

OTHER PUBLICATIONS

United States Patent and Trademark Office, "Non-Final Office action" issued in connection with U.S. Appl. No. 12/945,370, dated Nov. 30, 2012, 18 pages.

(Continued)

Primary Examiner — T. Chase Nelson

(74) *Attorney, Agent, or Firm* — Hanley, Flight & Zimmerman, LLC

(57) **CLAIM**

The ornamental design for mating ring portions for use with binders, as shown and described.

DESCRIPTION

FIG. 1 is a top plan view of mating ring portions for use with binders in a closed position.

FIG. 2 is a side view of the mating ring portions for use with binders of FIG. 1 in a closed position.

FIG. 3 is an isometric bottom view of the mating ring portions for use with binders of FIG. 1 in a closed position.

FIG. 4 is an enlarged end view of the mating ring portions for use with binders of FIG. 1 in a closed position.

FIG. 5 is an enlarged end view of the mating ring portions for use with binders showing both ends of FIG. 1 in an opened position.

FIG. 6 is an enlarged end view of the mating ring portions for use with binders of FIG. 1 in a closed position.

FIG. 7 is a further enlarged partial isometric view of the mating ring portions for use with binders showing both ends of FIG. 1 in an opened position.

FIG. 8 is a further enlarged partial isometric view of one end of the mating ring portions for use with binders of FIG. 1 in an open position.

FIG. 9 is an enlarged partial isometric top view of one end of the mating ring portions for use with binders of FIG. 1 in an opened position.

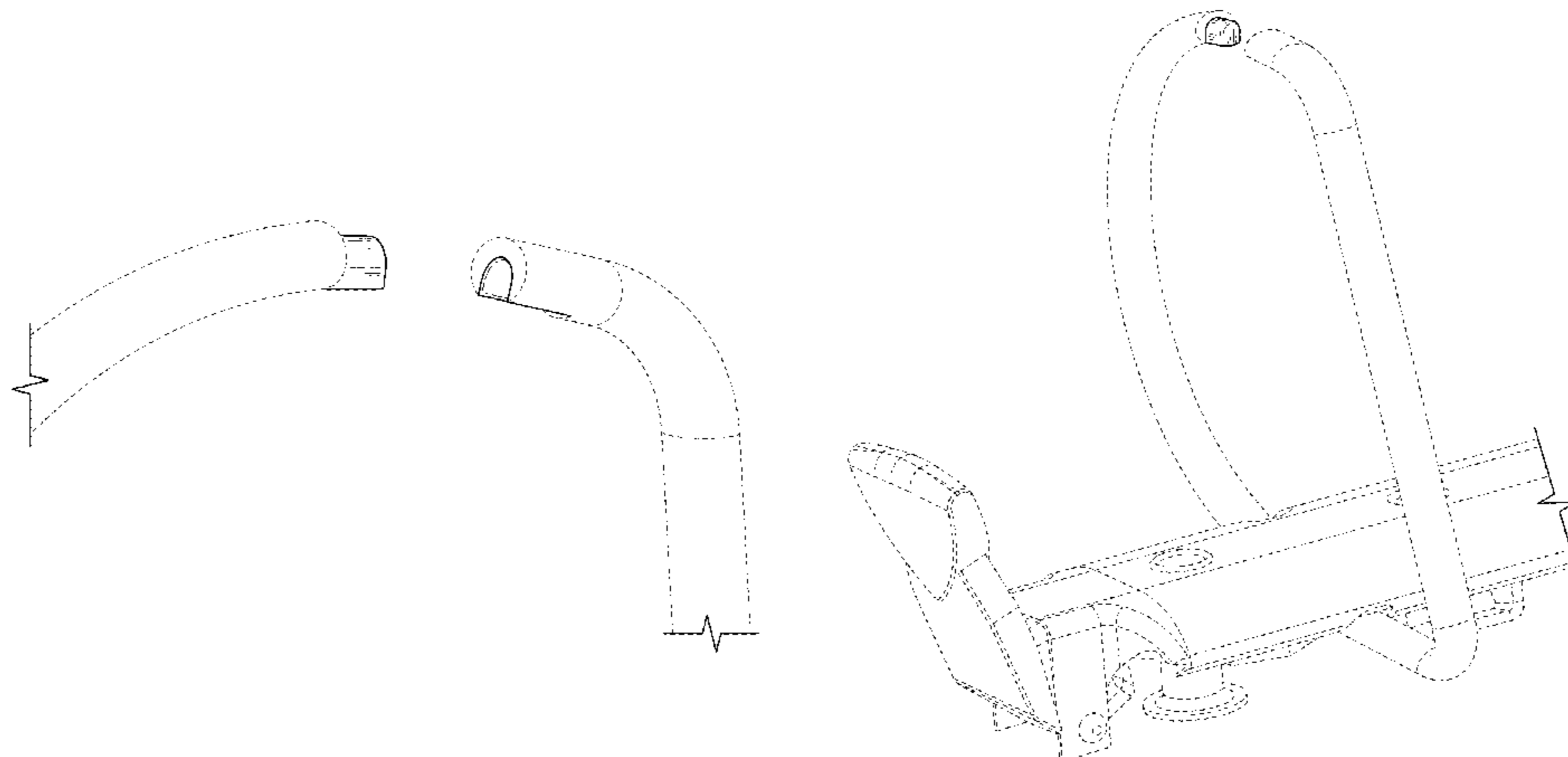
FIG. 10 is a further enlarged partial isometric top view of one end of the mating ring portions for use with binders of FIG. 1 in an opened position; and,

FIG. 11 is an enlarged partial isometric top view of the mating ring portions for use with binders of FIG. 1 in a closed position.

The features shown in broken lines are for illustrative purposes only and do not form part of the claimed design.

The dot-dashed line is a boundary line that forms no part of the claimed design.

1 Claim, 11 Drawing Sheets



(56)

References Cited

U.S. PATENT DOCUMENTS

2,013,416 A 9/1935 McClure
 4,566,817 A 1/1986 Barrett, Jr.
 4,571,108 A 2/1986 Vogl
 D295,422 S * 4/1988 Erickson D19/32
 4,919,557 A 4/1990 Podosek
 5,975,785 A 11/1999 Chan
 D419,054 S * 1/2000 Curwood D8/382
 D430,204 S * 8/2000 Berracasa D19/32
 6,142,697 A 11/2000 Williams
 6,276,862 B1 8/2001 Snyder et al.
 6,840,695 B2 1/2005 Horn
 6,916,134 B2 7/2005 Wong
 D529,548 S * 10/2006 Kaneda D19/32
 7,134,800 B2 * 11/2006 Kaneda 402/38
 7,275,886 B2 10/2007 Cheng
 7,293,932 B2 * 11/2007 Wong 402/35
 7,461,994 B2 * 12/2008 Whaley 402/20
 D588,443 S * 3/2009 Kelleghan D8/356
 7,524,127 B2 * 4/2009 Petrie et al. 402/19
 D592,939 S * 5/2009 Kelleghan D8/356
 7,534,064 B2 5/2009 Cheng
 7,648,302 B2 1/2010 Zhang et al.
 7,661,898 B2 2/2010 Ng et al.

7,661,899 B2 2/2010 Lin
 7,665,926 B2 2/2010 Cheng
 7,704,005 B2 4/2010 Lin
 7,717,638 B2 * 5/2010 Harris et al. 402/19
 7,726,897 B2 6/2010 To et al.
 7,731,441 B2 6/2010 Ng et al.
 7,744,300 B2 6/2010 Cheng et al.
 7,758,271 B2 7/2010 Cheng
 7,828,491 B2 11/2010 Cheng
 8,330,669 B2 * 12/2012 Cornwall et al. 343/906
 8,517,624 B2 * 8/2013 Warmus 402/30
 2005/0201818 A1 9/2005 Cheng
 2008/0075527 A1 3/2008 Pi et al.
 2009/0060631 A1 3/2009 To et al.
 2009/0274508 A1 11/2009 Zhang et al.
 2010/0232867 A1 9/2010 Ng et al.

OTHER PUBLICATIONS

United States Patent and Trademark Office, "Notice of Allowance" issued in connection with U.S. Appl. No. 12/945,370, dated Apr. 29, 2013, 16 pages.

United States Patent and Trademark Office, "Office Action," issued in connection with U.S. Appl. No. 13/839,608, dated Aug. 7, 2014, 26 pages.

* cited by examiner

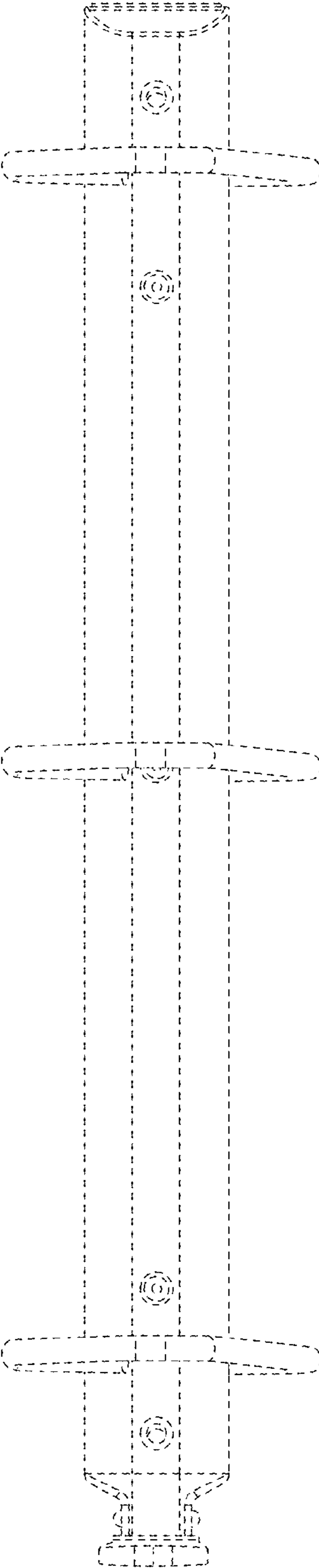


FIG. 1

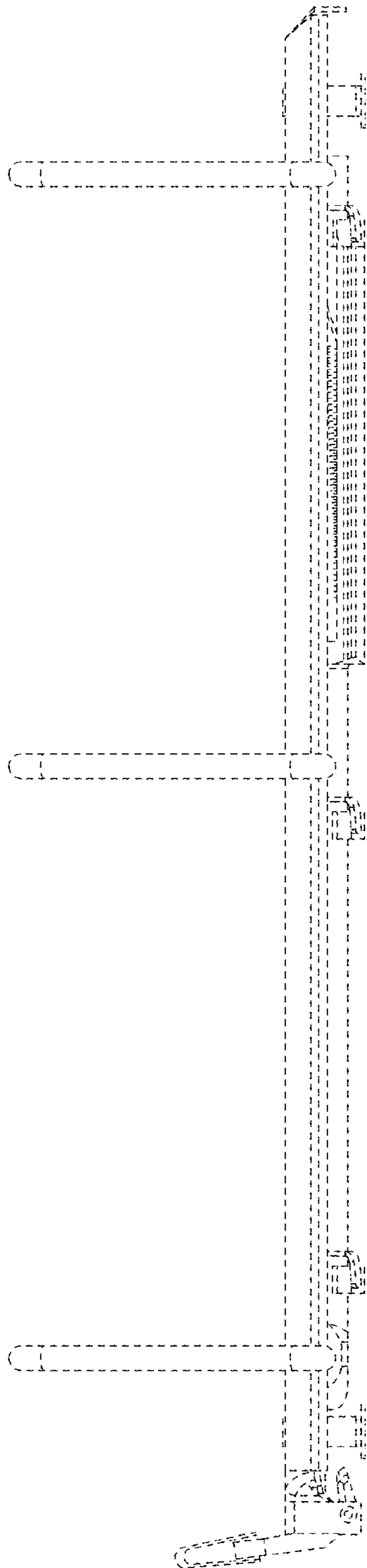


FIG. 2

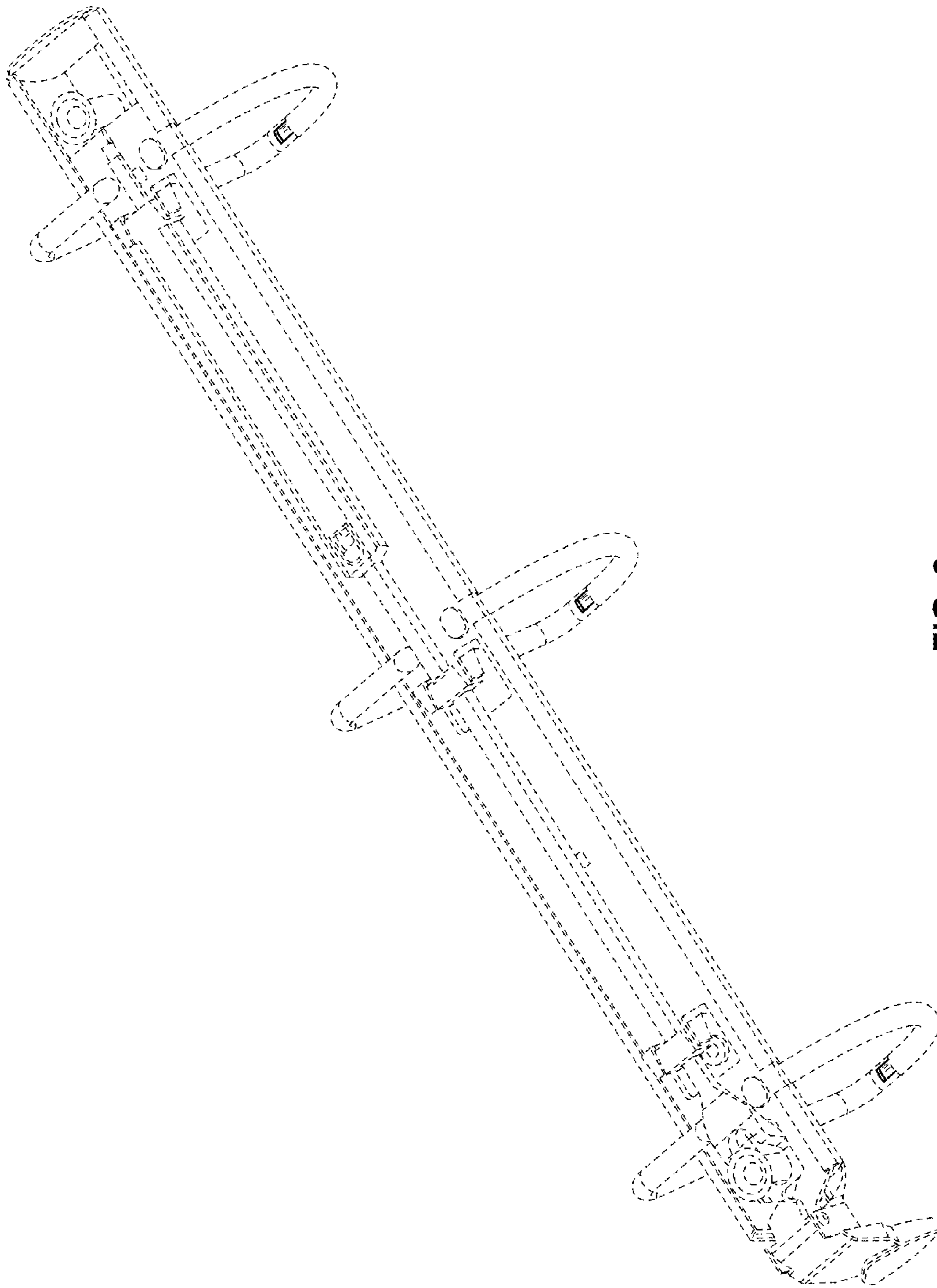


FIG. 3

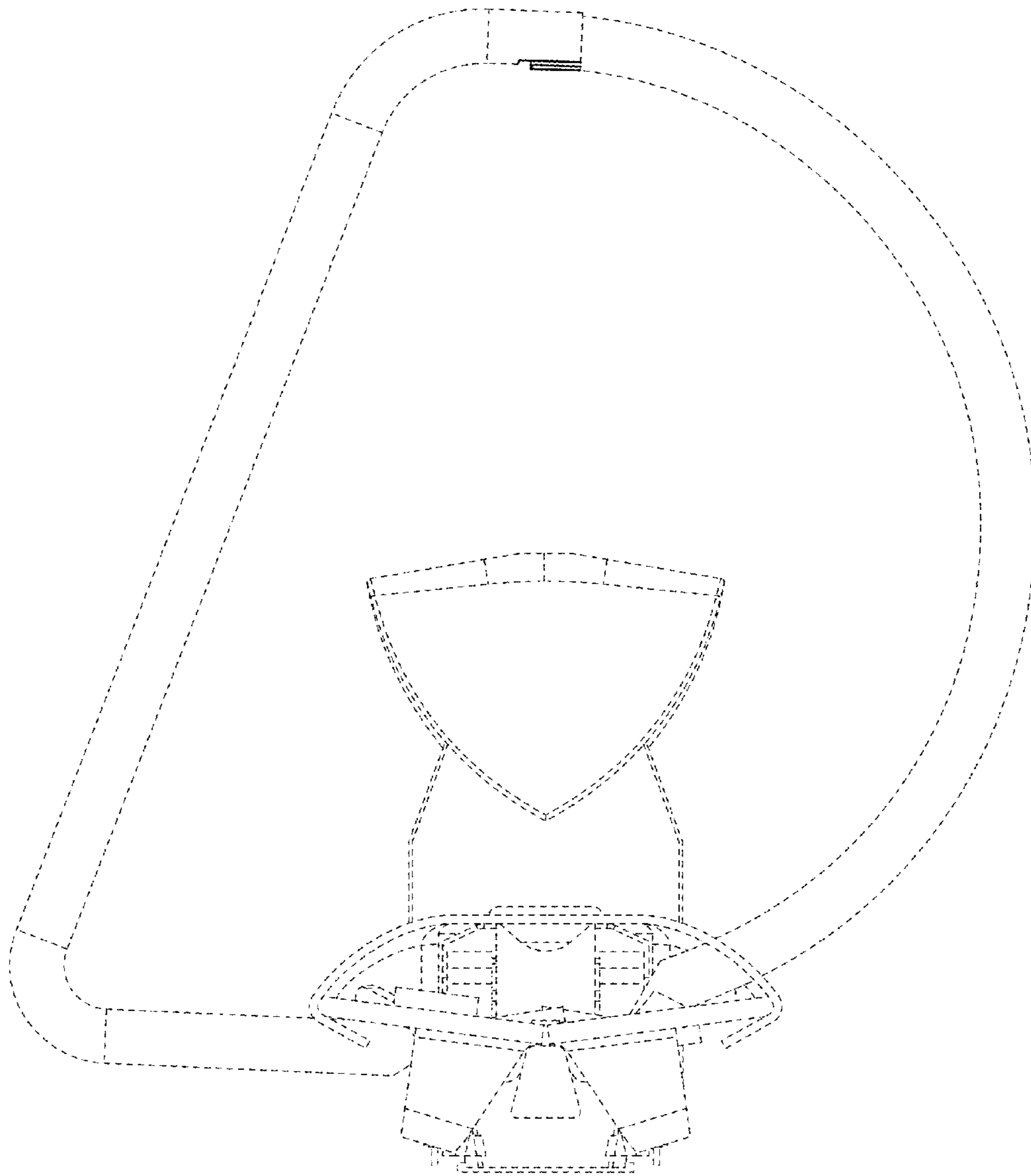


FIG. 4

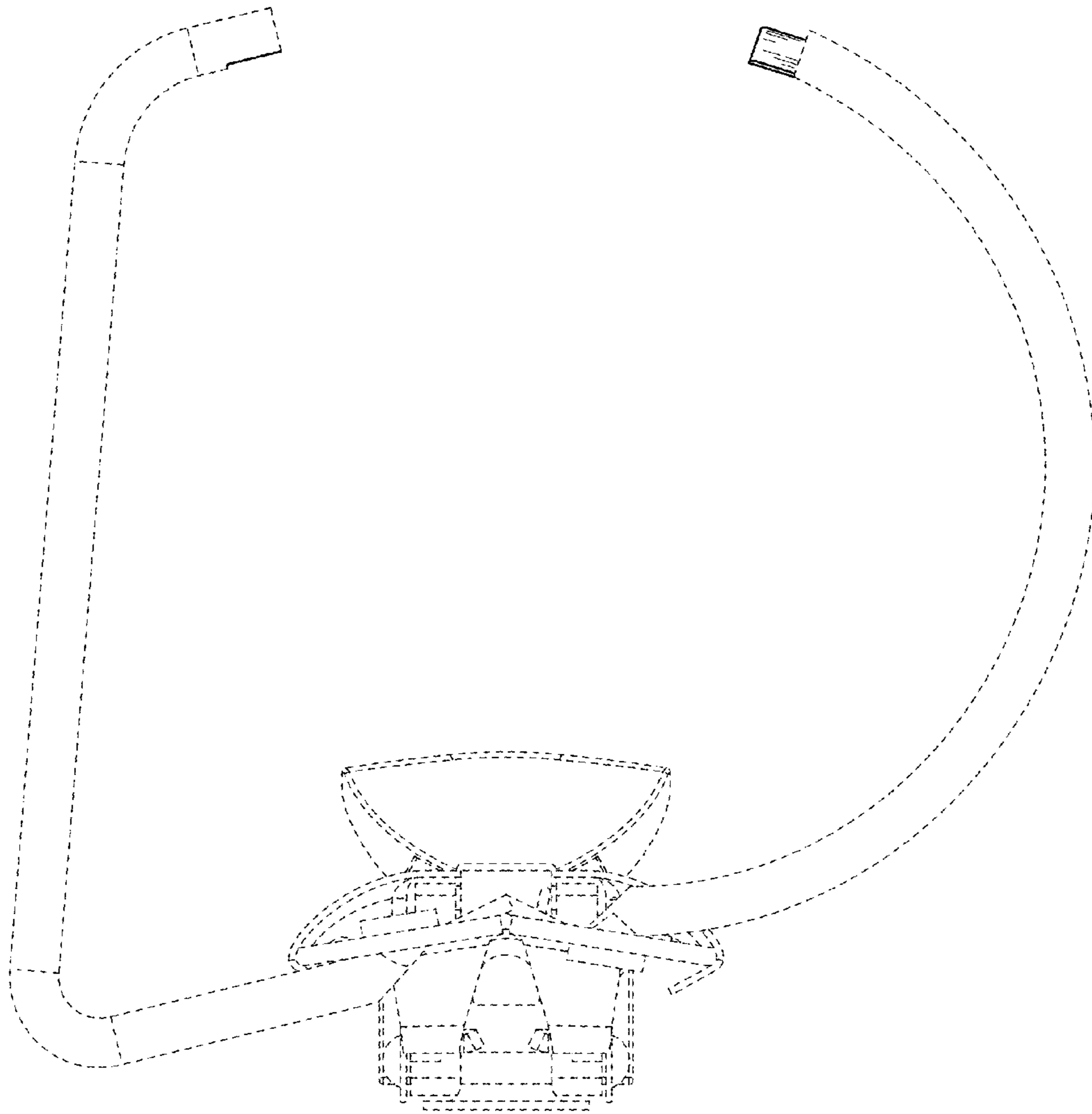


FIG. 5

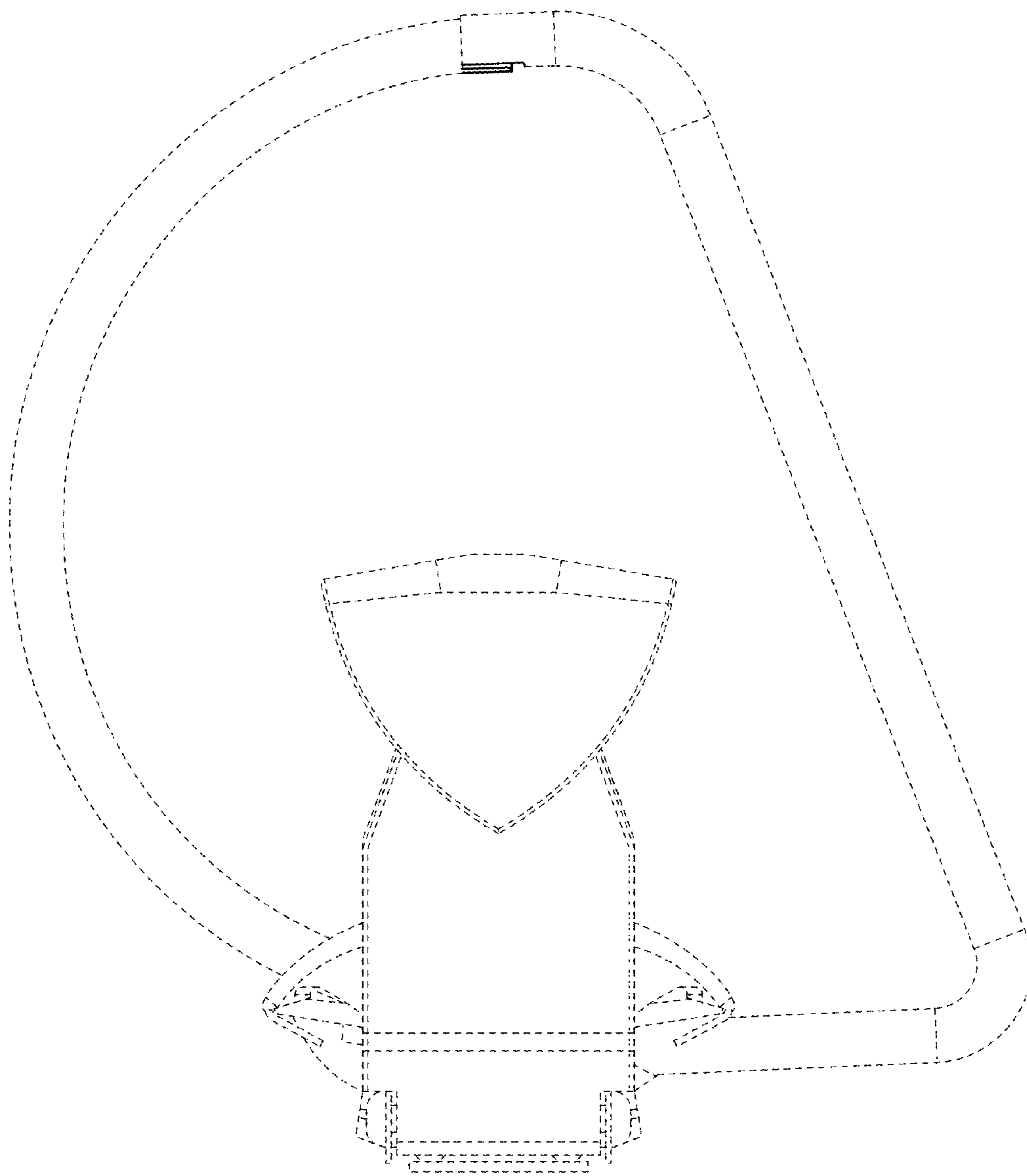


FIG. 6

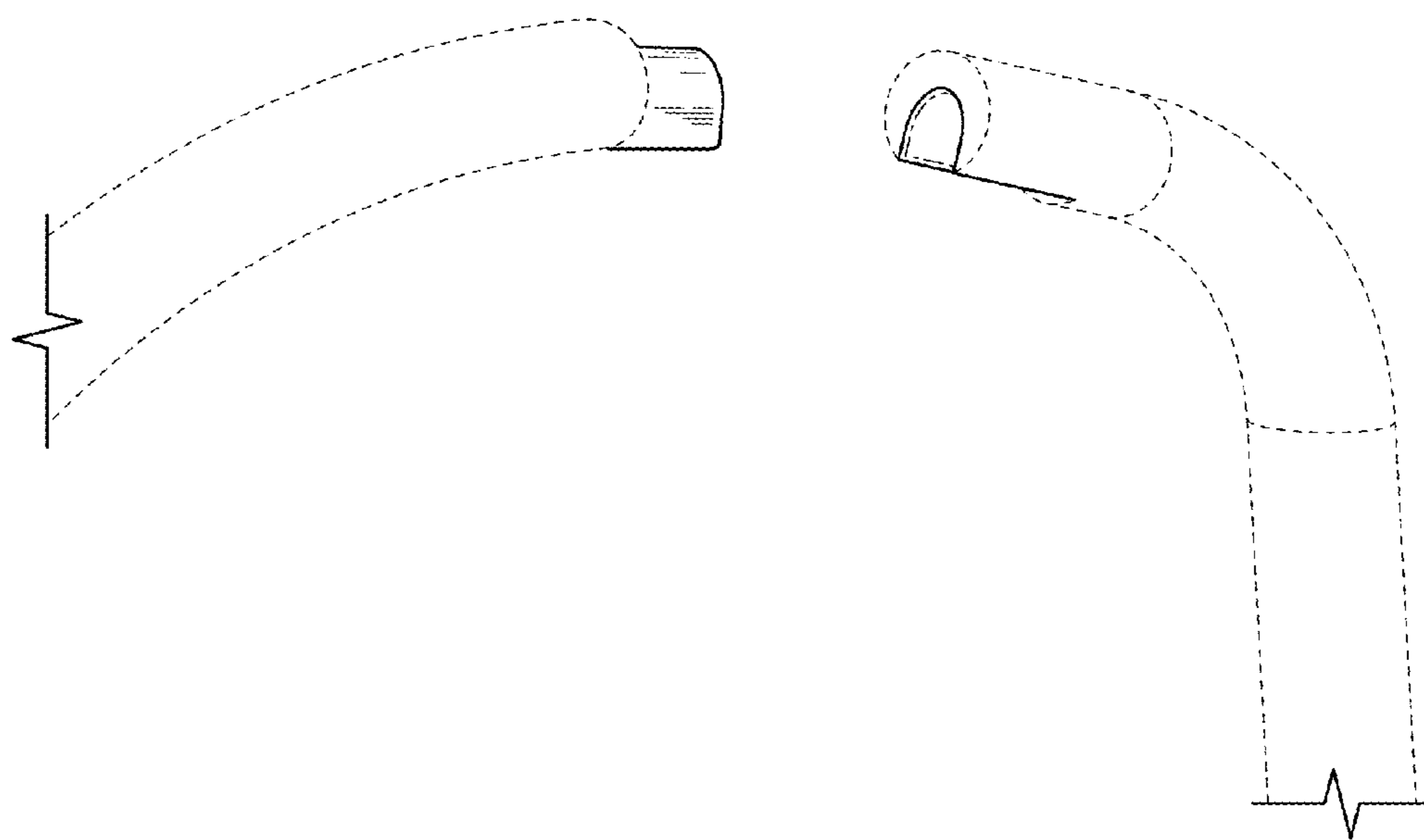


FIG. 7

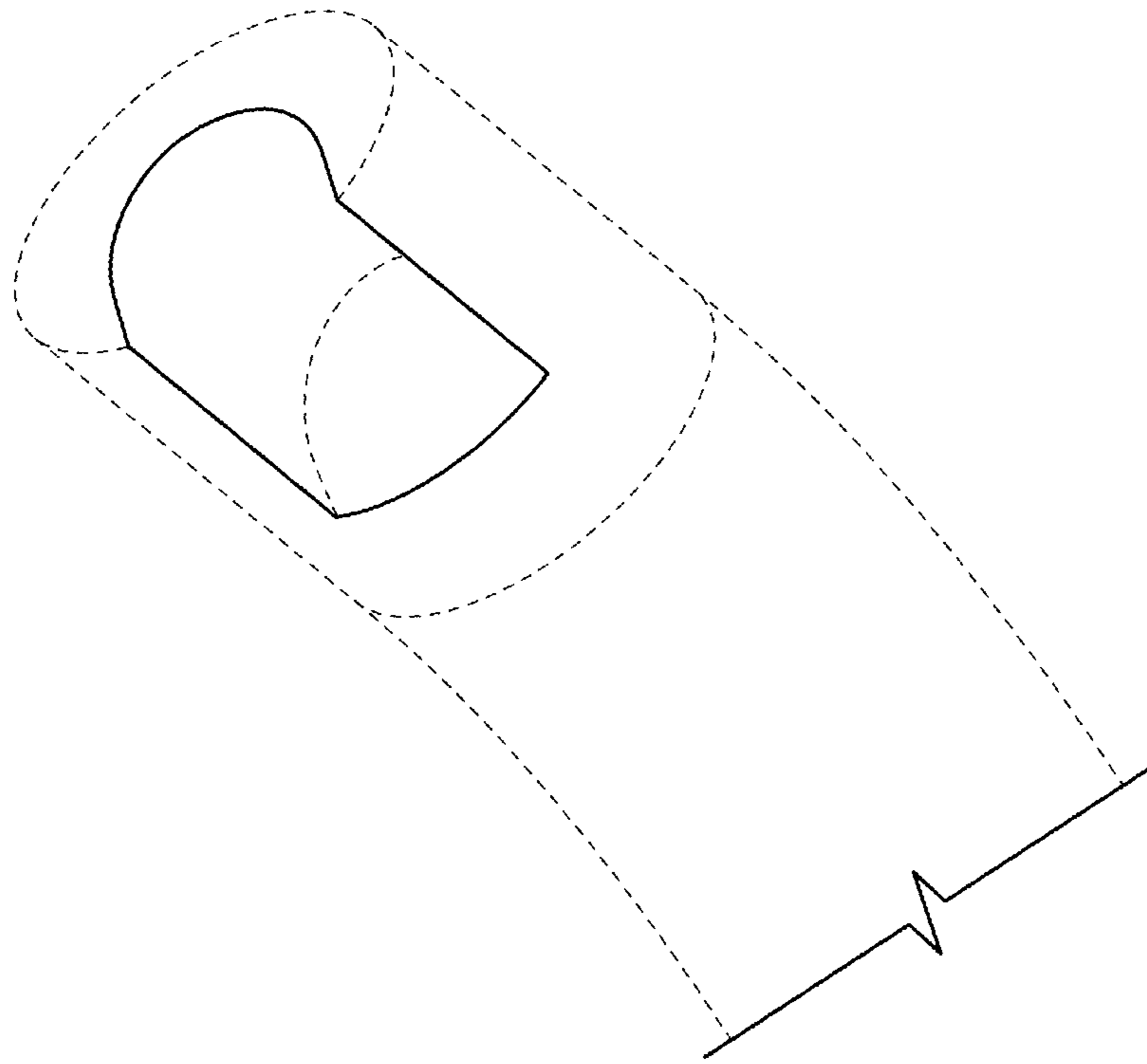


FIG. 8

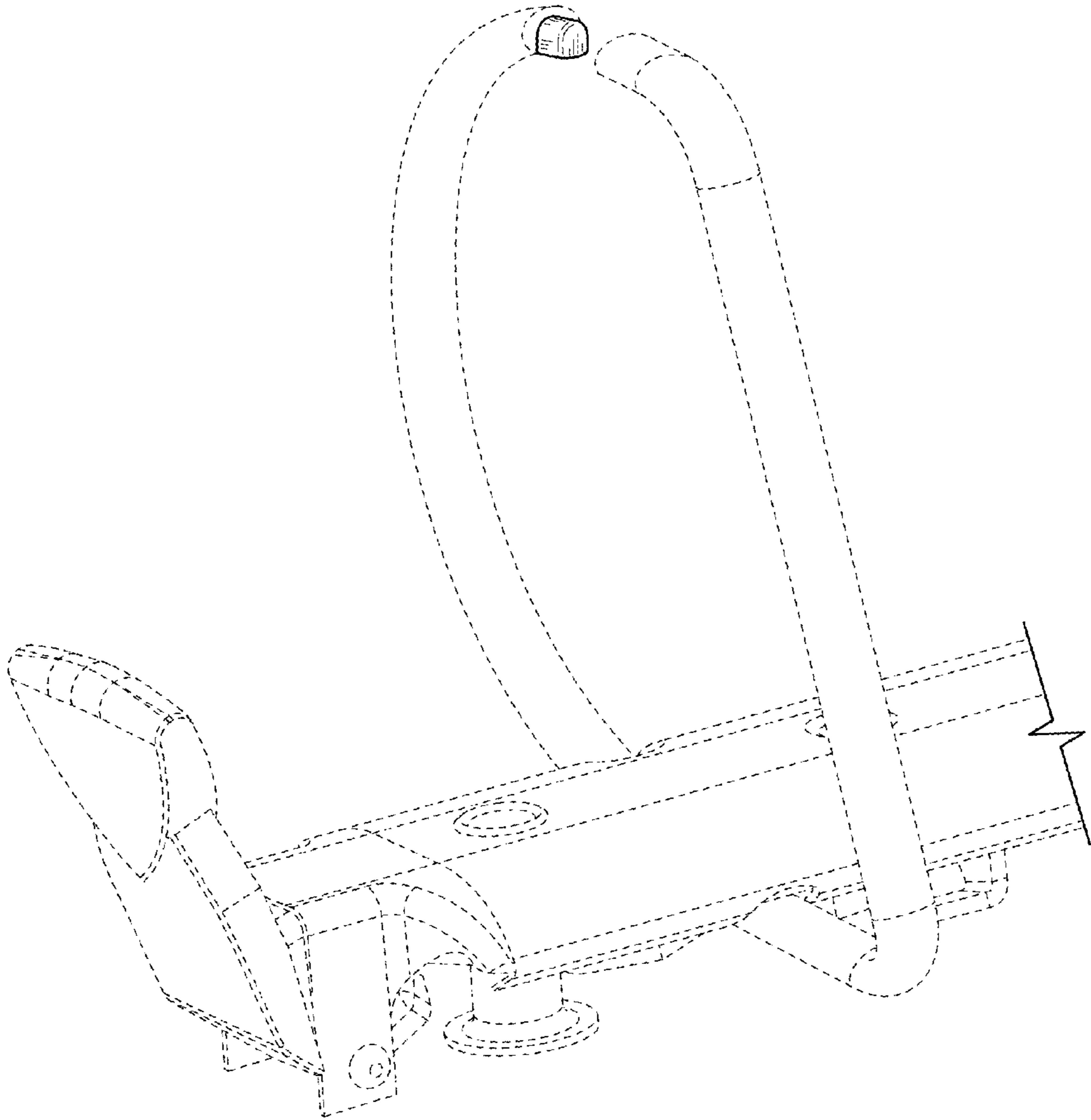


FIG. 9

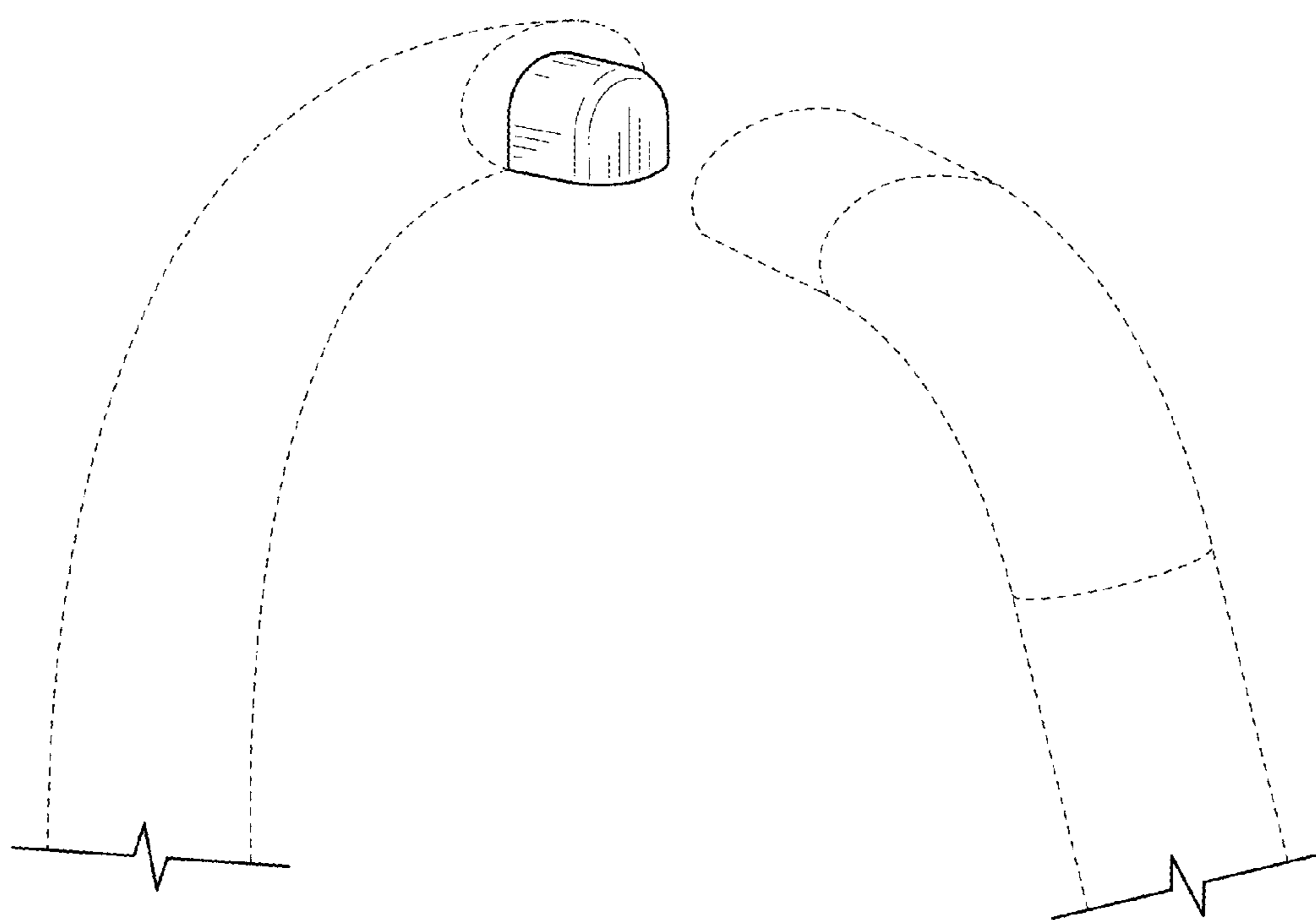


FIG. 10

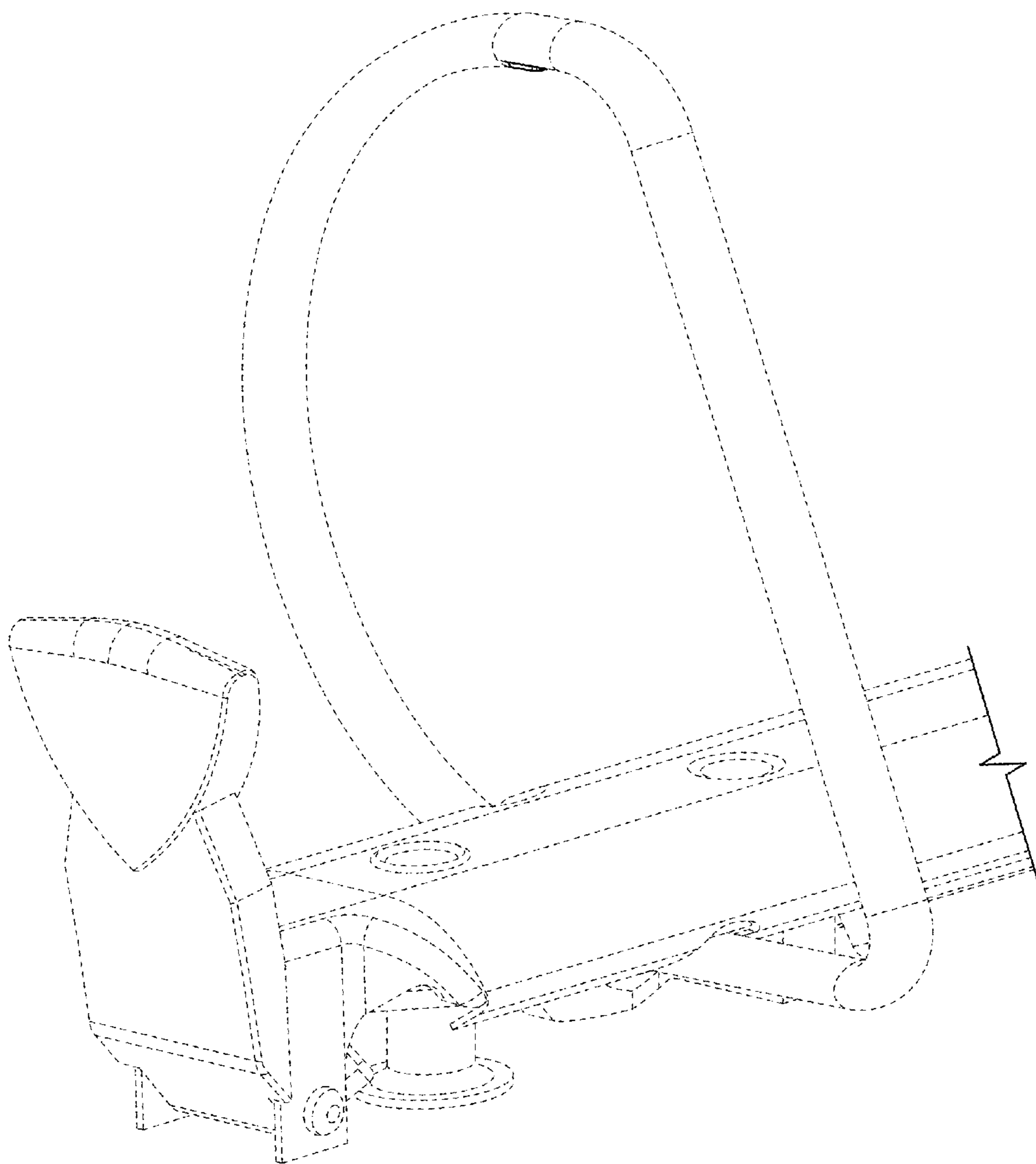


FIG. 11