



US00D718810S

(12) **United States Design Patent**
Marquez

(10) **Patent No.:** **US D718,810 S**
(45) **Date of Patent:** **** Dec. 2, 2014**

(54) **PORTABLE ELECTRONIC DRUMHEAD**

(75) Inventor: **Ronald G. Marquez**, Yorba Linda, CA (US)

(73) Assignee: **Aquarian Coatings Corp.**, Anaheim, CA (US)

(**) Term: **14 Years**

(21) Appl. No.: **29/425,395**

(22) Filed: **Jun. 22, 2012**

(51) **LOC (10) Cl.** **17-04**

(52) **U.S. Cl.**
USPC **D17/22**

(58) **Field of Classification Search**
USPC D17/22, 99; 84/600, 104, 107, 113,
84/723, 411 R, 414, 415, 416, 420, 411 P,
84/DIG. 12
See application file for complete search history.

(56) **References Cited**

U.S. PATENT DOCUMENTS

479,636	A *	7/1892	Droop	84/422.1
1,769,551	A *	7/1930	Schwartz	84/411 R
1,789,992	A *	1/1931	Stevens	84/411 R
3,433,115	A *	3/1969	Kjelstrom	84/411 R
3,459,093	A *	8/1969	Tomehichi et al.	84/411 R
4,616,552	A *	10/1986	Jang	84/414
D386,780	S *	11/1997	Ohno	D17/22
D568,378	S *	5/2008	Nakao et al.	D17/22
D579,986	S *	11/2008	Walsh	D21/405
7,485,789	B2 *	2/2009	Gasull, III	84/411 R
7,985,908	B1 *	7/2011	Howard et al.	84/411 P

OTHER PUBLICATIONS

Cascio Interstatemusic.com. <http://www.interstatemusic.com/912520-Aquarian-16-onHEAD-FSR-Portable-Electronic-Drumsurface-w-inBOX-Trigger-Bundle-Pack-OHP16B.aspx>. Copyright 2014. "Aquarian 16" onHEAD FSR Portable Electronic Drumsurface".*

* cited by examiner

Primary Examiner — Rashida Johnson

(74) *Attorney, Agent, or Firm* — William L. Chapin

(57) **CLAIM**

The ornamental design for a portable electronic drumhead, as shown and described.

DESCRIPTION

FIG. 1 is a perspective view of a portable electronic drumhead according to the present invention.

FIG. 2 is a front elevation view thereof, in which a handle-like feature thereof is shown separated from the body of the drumhead for ease of illustration.

FIG. 3 is a rear elevation view thereof, in which a handle-like feature thereof is shown separated from the body of the drumhead for ease of illustration.

FIG. 4 is right side elevation view thereof.

FIG. 5 is left side elevation view thereof.

FIG. 6 is a top plan view thereof, in which a handle-like feature thereof is shown separated from the body of the drumhead for ease of illustration; and,

FIG. 7 is a bottom plan view thereof, in which a handle-like feature thereof is shown separated from the body of the drumhead for ease of illustration.

1 Claim, 5 Drawing Sheets

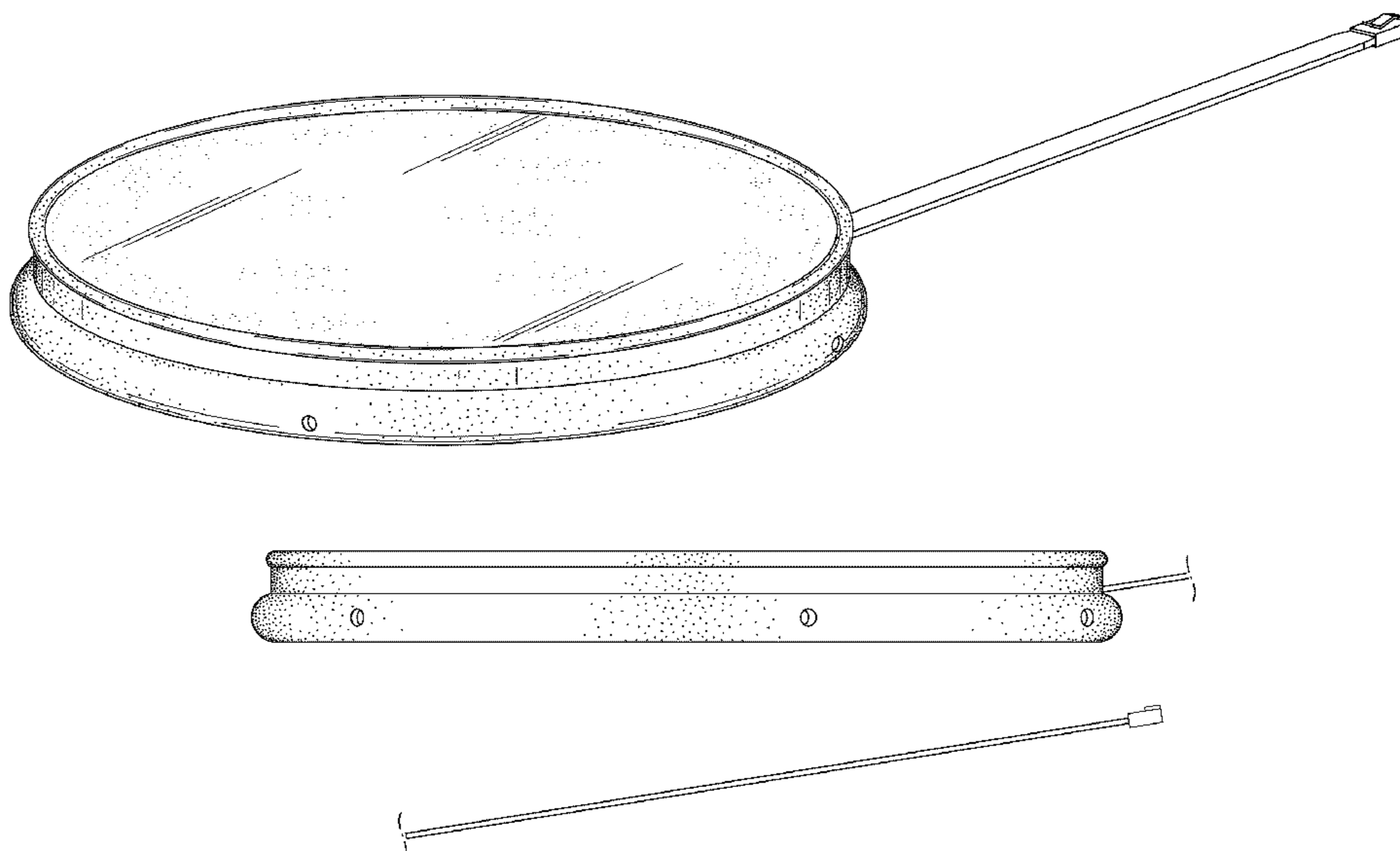


Fig. 1

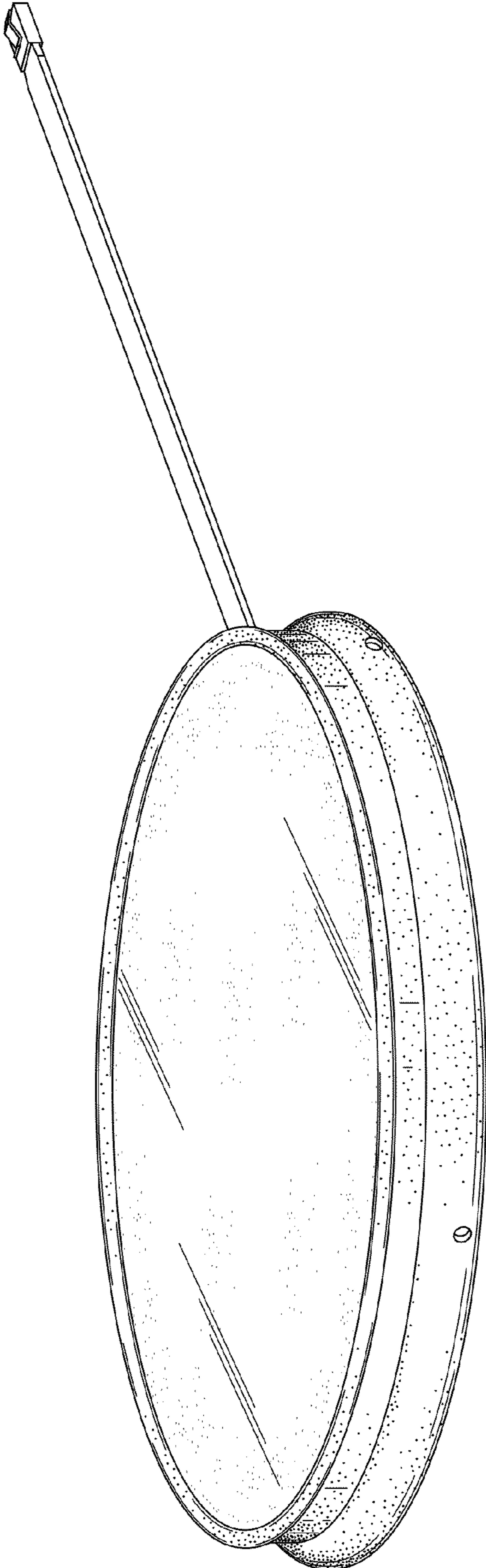


Fig. 2

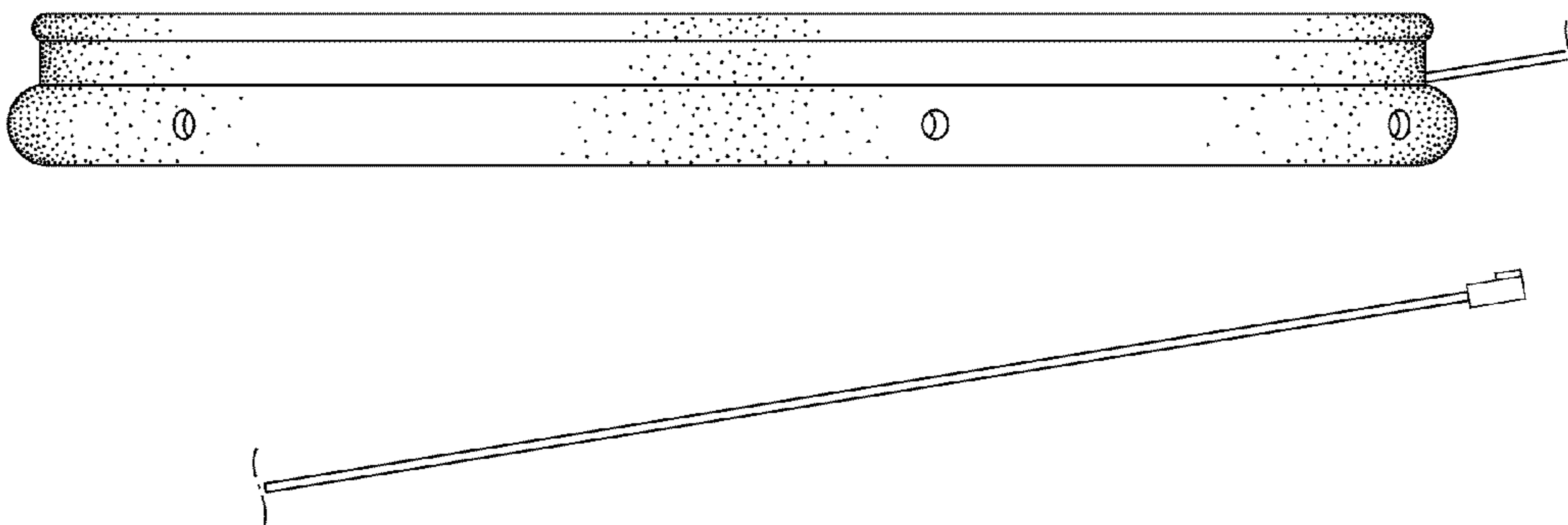


Fig. 3

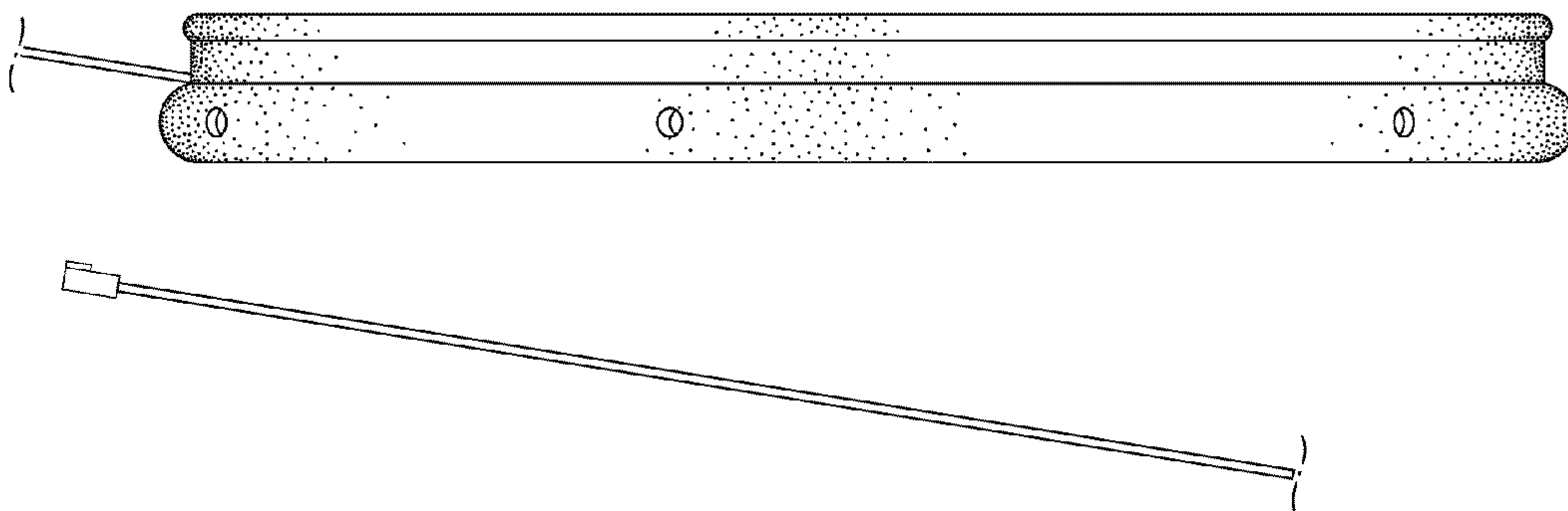


Fig. 4

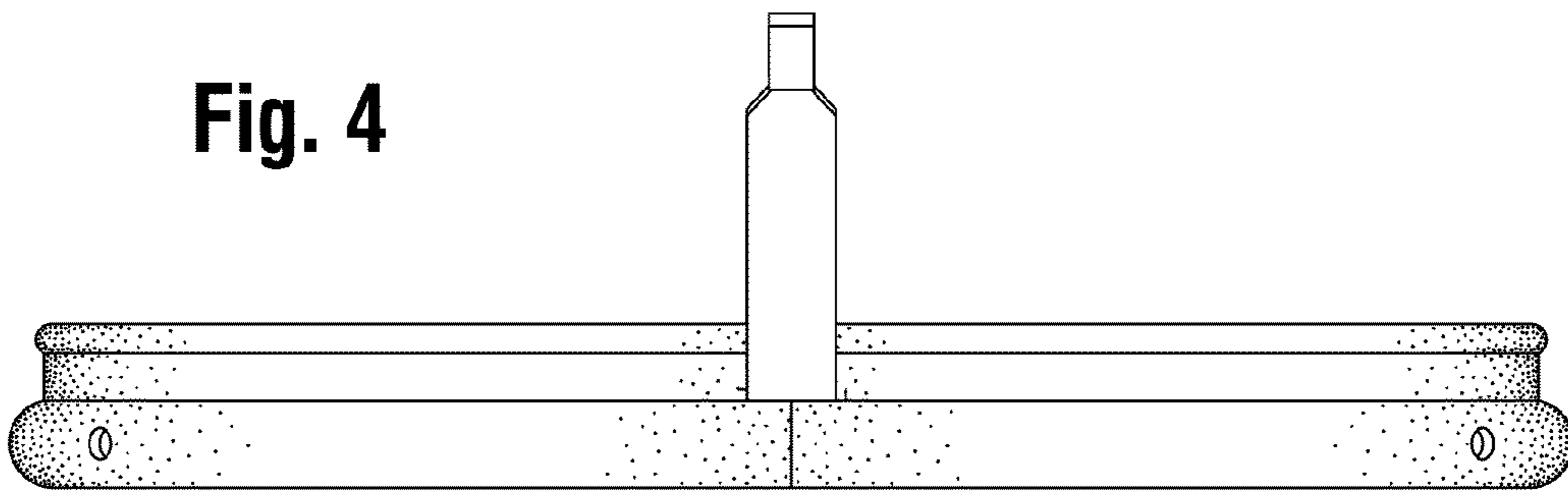


Fig. 5

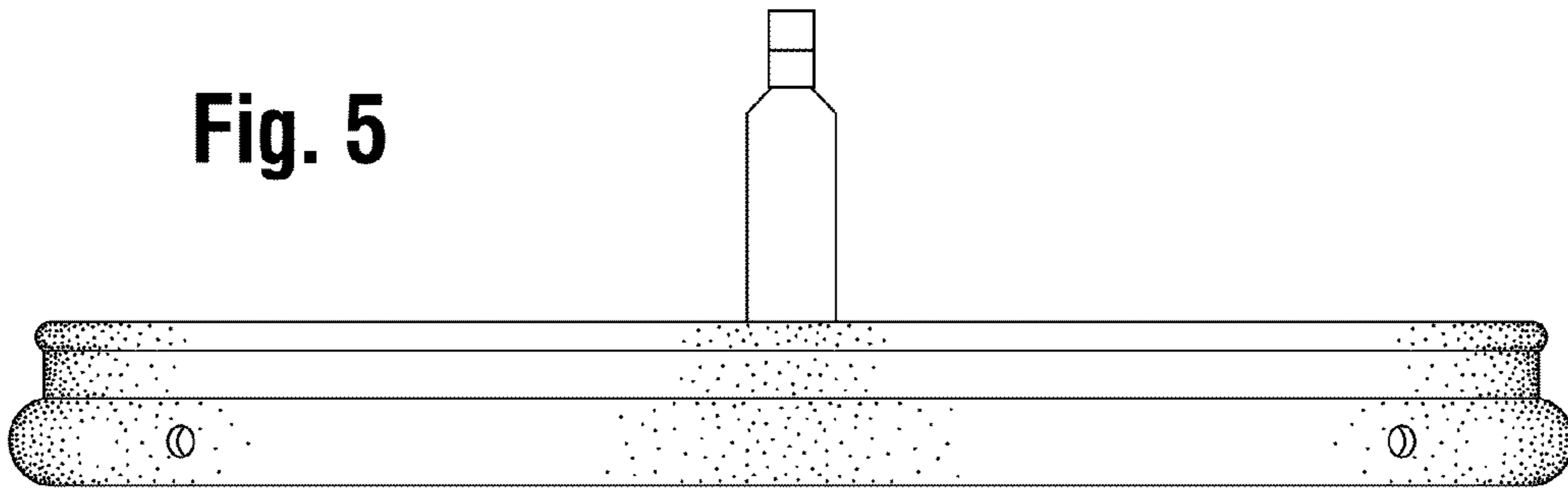


Fig. 6

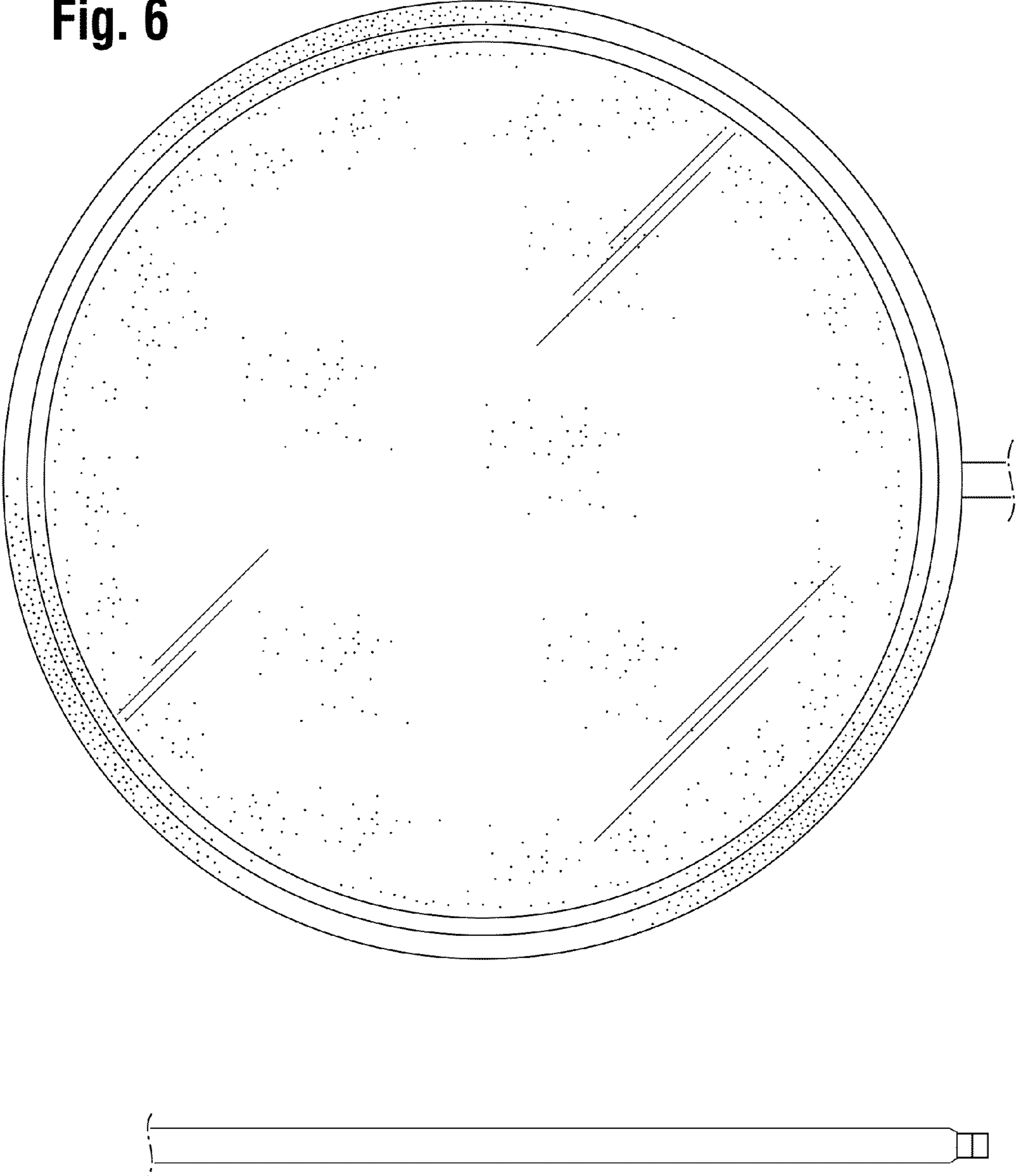


Fig. 7

