



US00D718802S

(12) **United States Design Patent**  
**Ishibashi et al.**

(10) **Patent No.:** **US D718,802 S**

(45) **Date of Patent:** **\*\* \*Dec. 2, 2014**

(54) **PROJECTOR**

(71) Applicant: **Hitachi Consumer Electronics Co., Ltd.**, Tokyo (JP)

(72) Inventors: **Atsushi Ishibashi**, Tokorozawa (JP); **Yuta Kawaguchi**, Komae (JP); **Takashi Yamamoto**, Kodaira (JP); **Koshu Ichikawa**, Yokohama (JP)

(73) Assignee: **Hitachi Maxwell, Ltd.**, Osaka (JP)

(\*) Notice: This patent is subject to a terminal disclaimer.

(\*\*) Term: **14 Years**

(21) Appl. No.: **29/451,790**

(22) Filed: **Apr. 9, 2013**

(51) **LOC (10) Cl.** ..... **16-02**

(52) **U.S. Cl.**  
USPC ..... **D16/230**

(58) **Field of Classification Search**  
USPC ..... D16/221, 225, 230-231, 234; D21/514;  
353/115, 119, 122  
See application file for complete search history.

(56) **References Cited**

**U.S. PATENT DOCUMENTS**

D457,179 S \* 5/2002 Saeki et al. .... D16/230  
D527,407 S \* 8/2006 Kawasaki et al. .... D16/230

D574,875 S \* 8/2008 Sakamaki et al. .... D16/230  
D575,811 S \* 8/2008 Ohki et al. .... D16/230  
D627,387 S \* 11/2010 Kawaguchi et al. .... D16/230  
D636,426 S \* 4/2011 Kawaguchi et al. .... D16/230  
D639,331 S \* 6/2011 Kawaguchi et al. .... D16/230  
D663,346 S \* 7/2012 Fujikawa et al. .... D16/230  
D683,782 S \* 6/2013 Ishibashi et al. .... D16/230  
D691,648 S \* 10/2013 Kawaguchi et al. .... D16/230

\* cited by examiner

*Primary Examiner* — Wan Laymon

(74) *Attorney, Agent, or Firm* — Antonelli, Terry, Stout & Kraus, LLP.

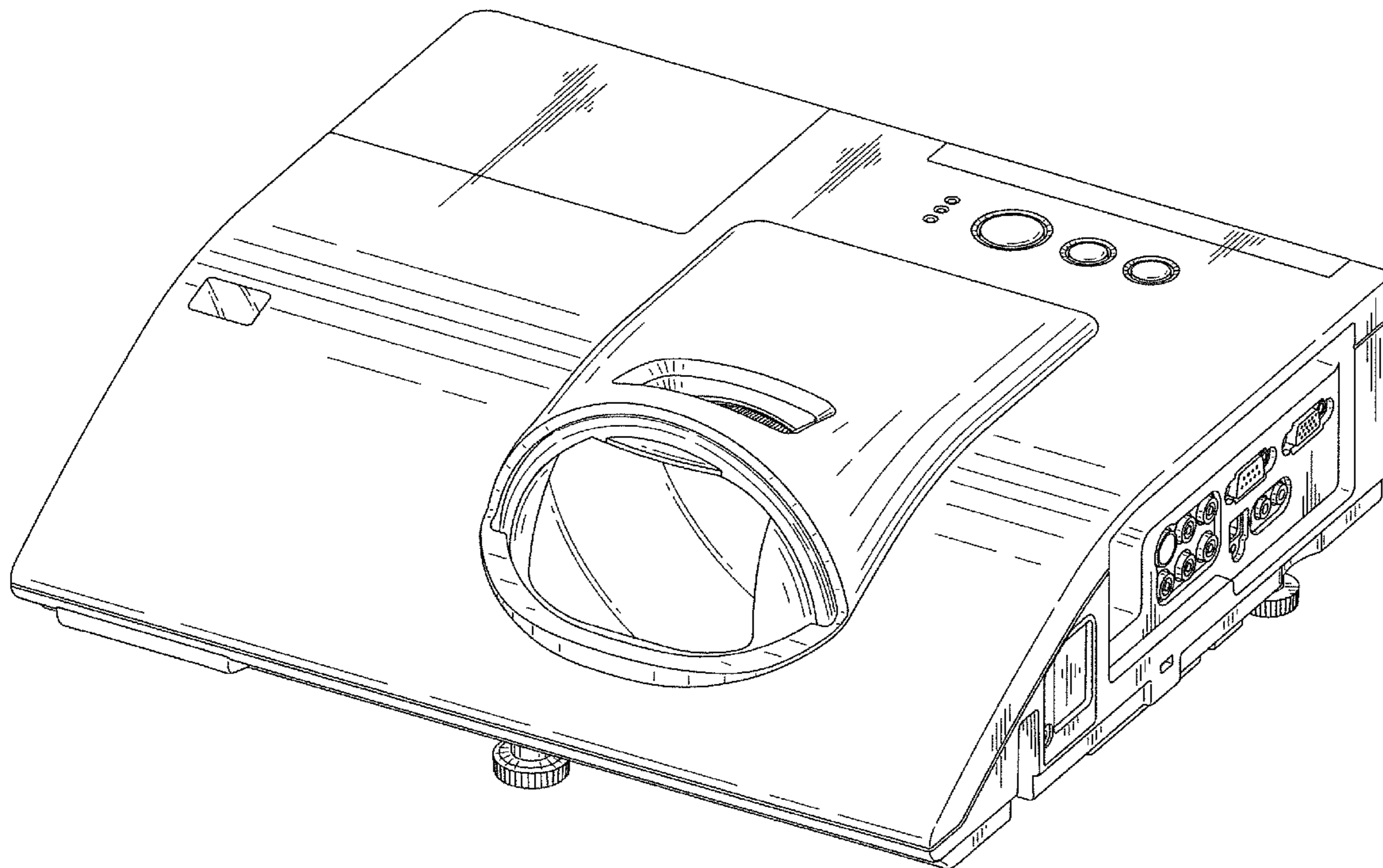
(57) **CLAIM**

We claim the ornamental design for a projector, as shown and described.

**DESCRIPTION**

FIG. 1 is a front, top and right side perspective view of a projector showing our new design;  
FIG. 2 is a front elevational view thereof;  
FIG. 3 is a rear elevational view thereof;  
FIG. 4 is a left side elevational view thereof;  
FIG. 5 is a right side elevational view thereof;  
FIG. 6 is a top plan view thereof; and,  
FIG. 7 is a bottom plan view thereof.  
The broken lines shown in the drawings are for purposes of illustrating portions of the projector and form no part of the claimed design.

**1 Claim, 7 Drawing Sheets**



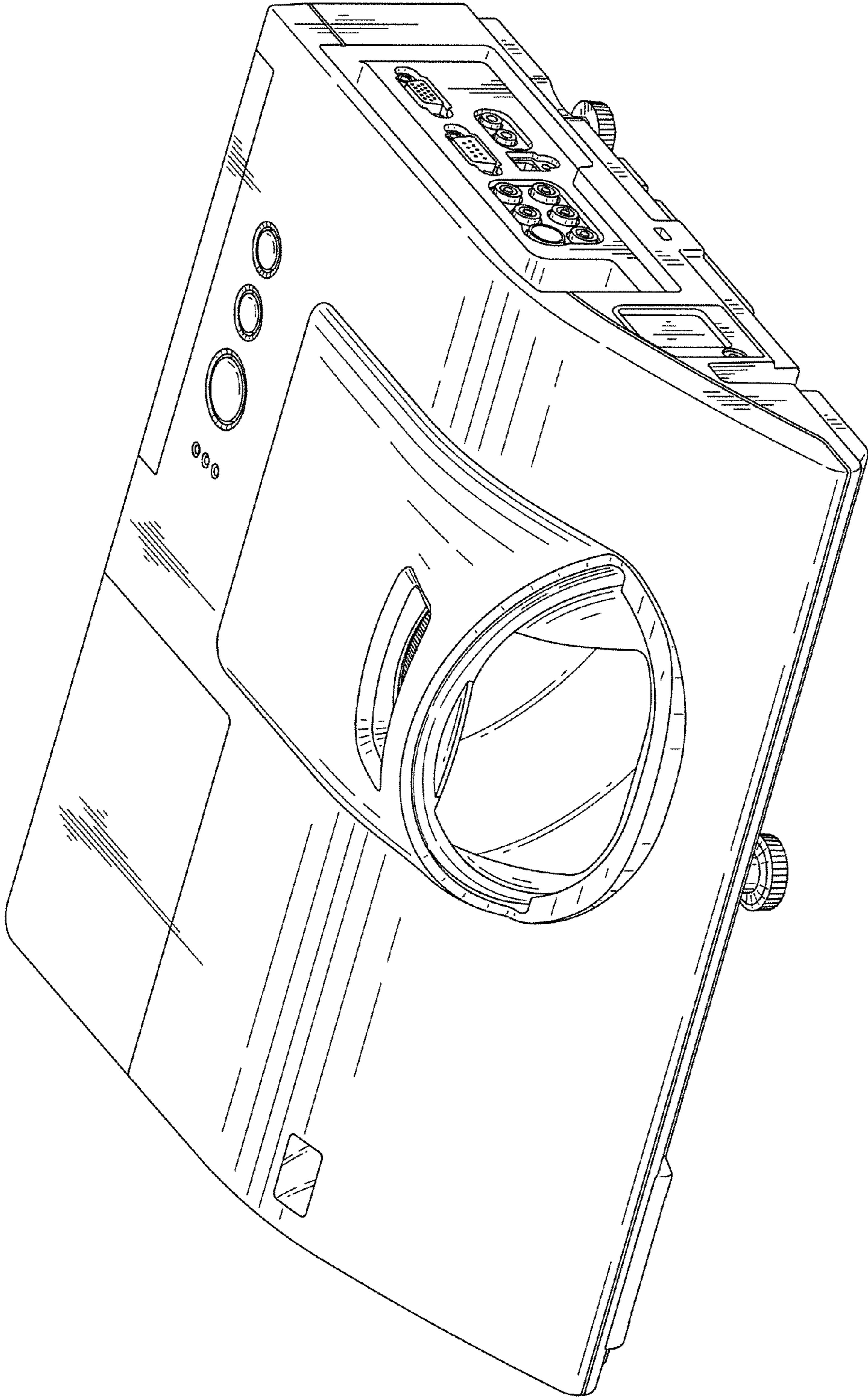


FIG. 1

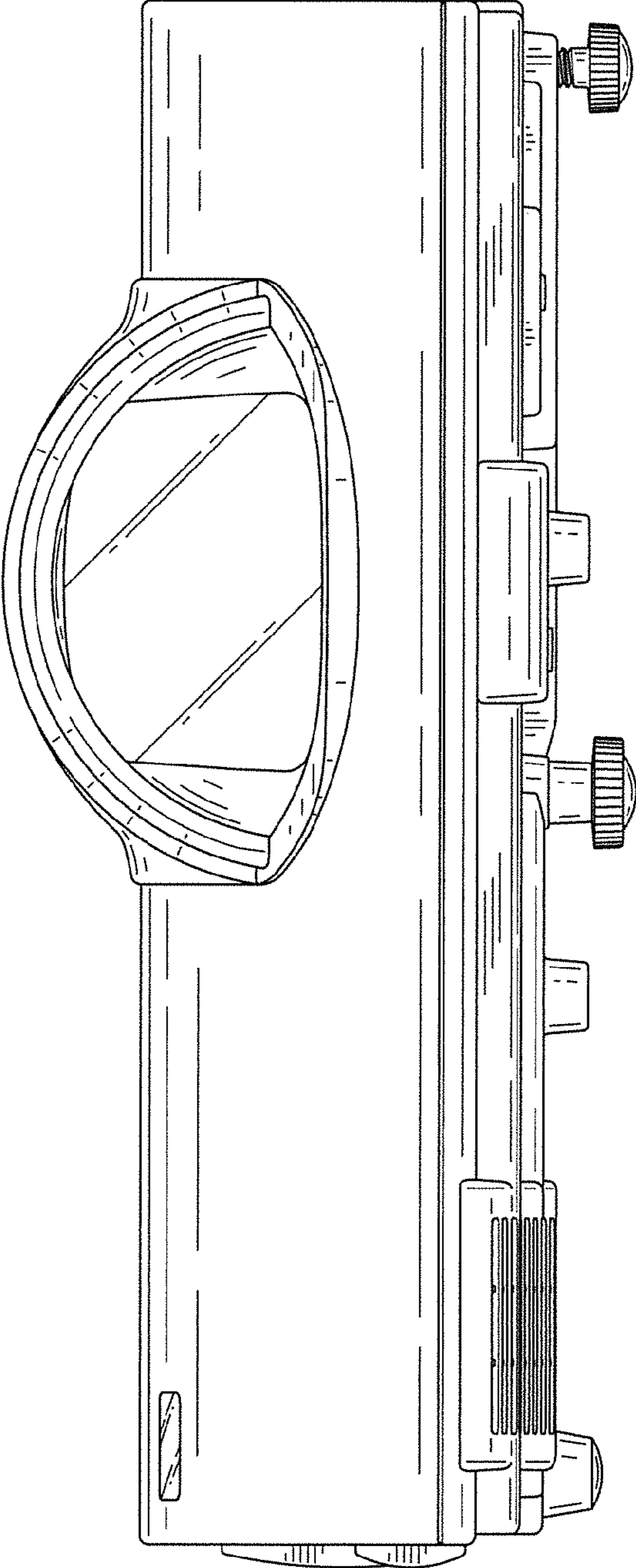


FIG. 2



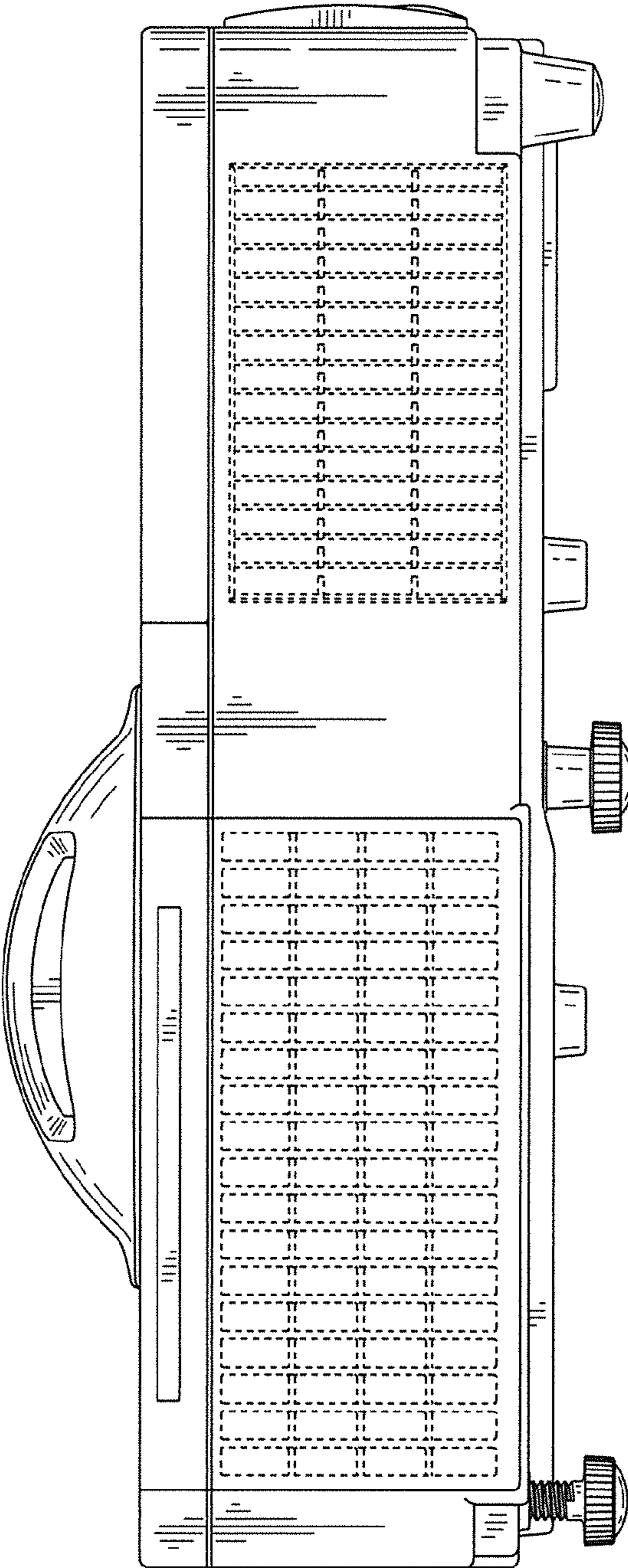


FIG. 3

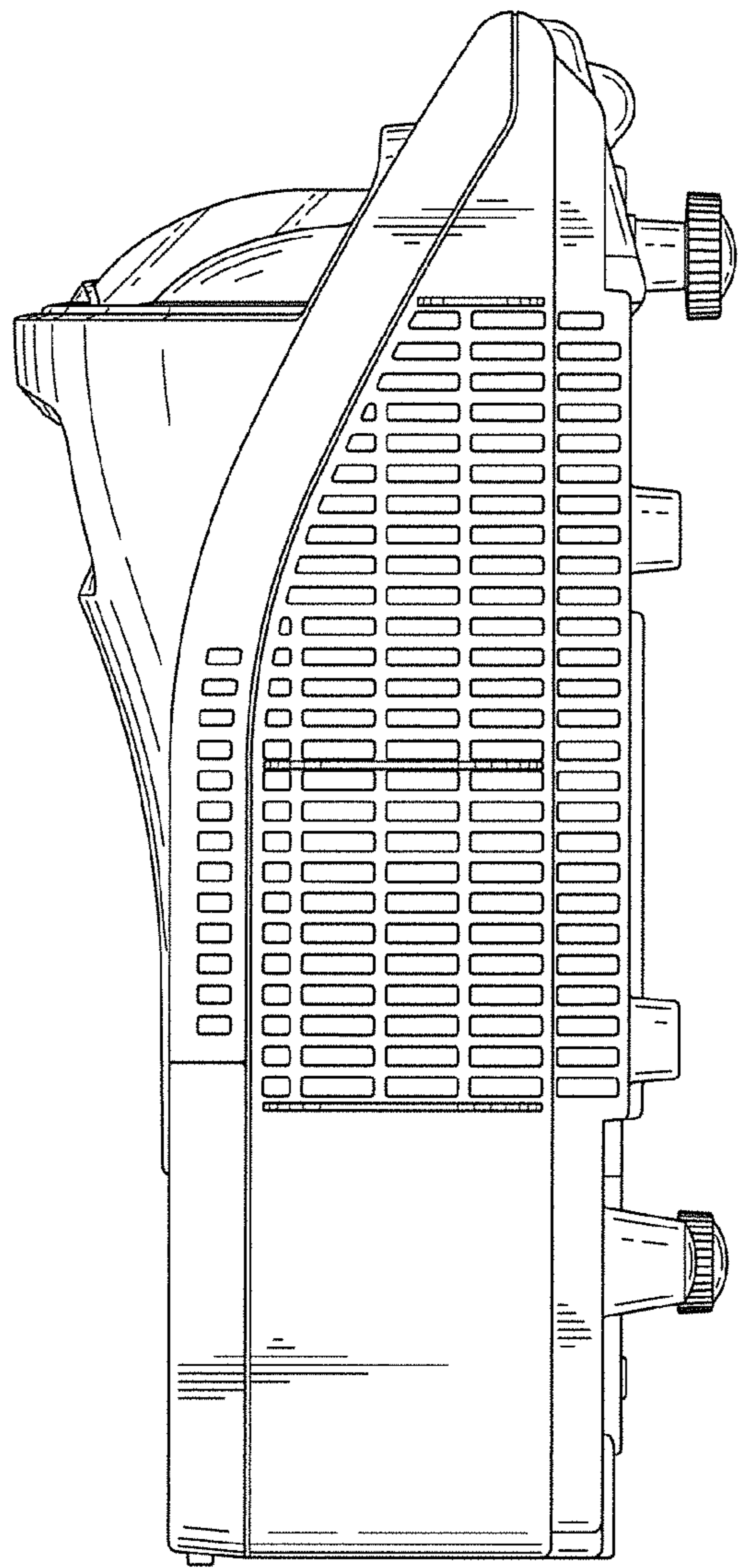


FIG. 4

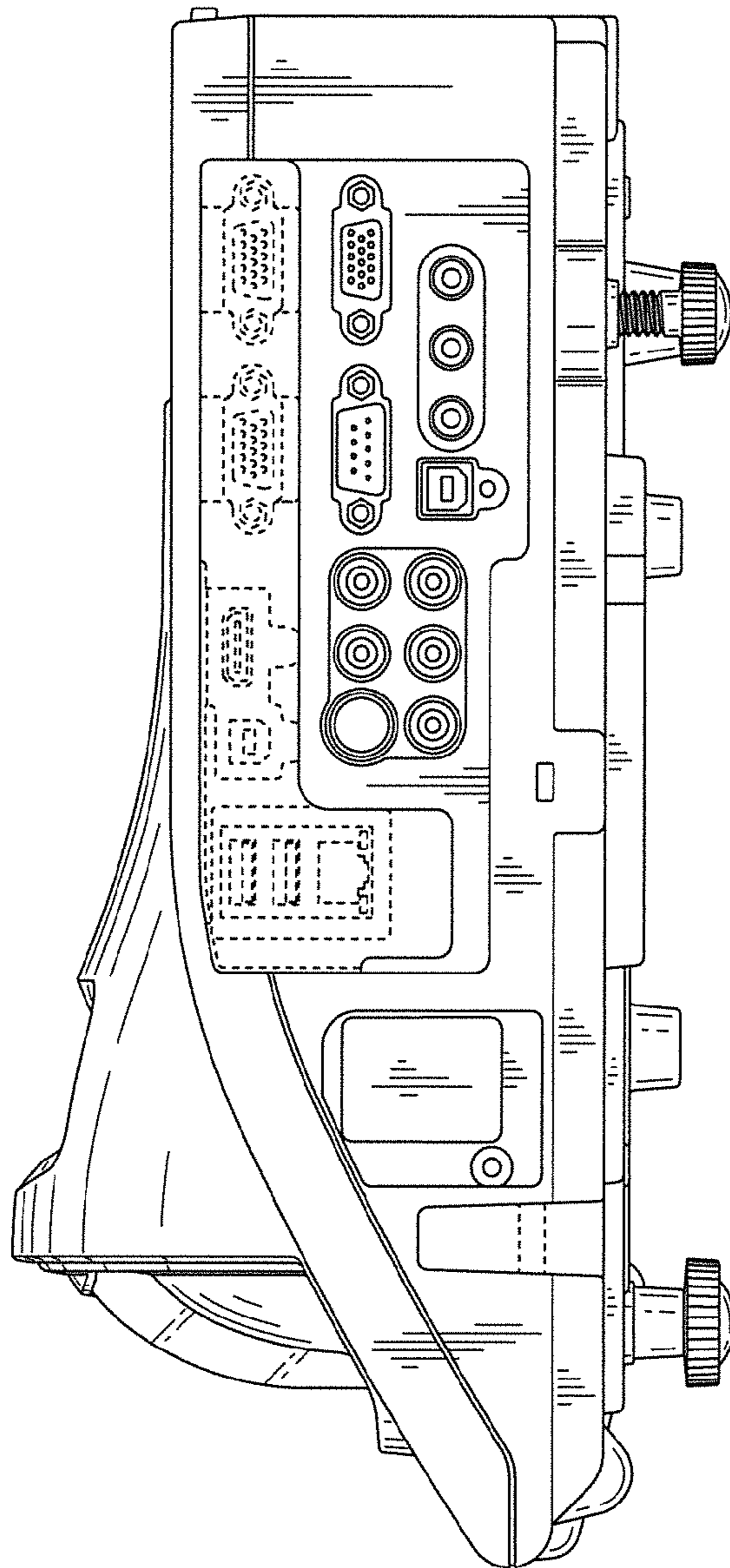


FIG. 5

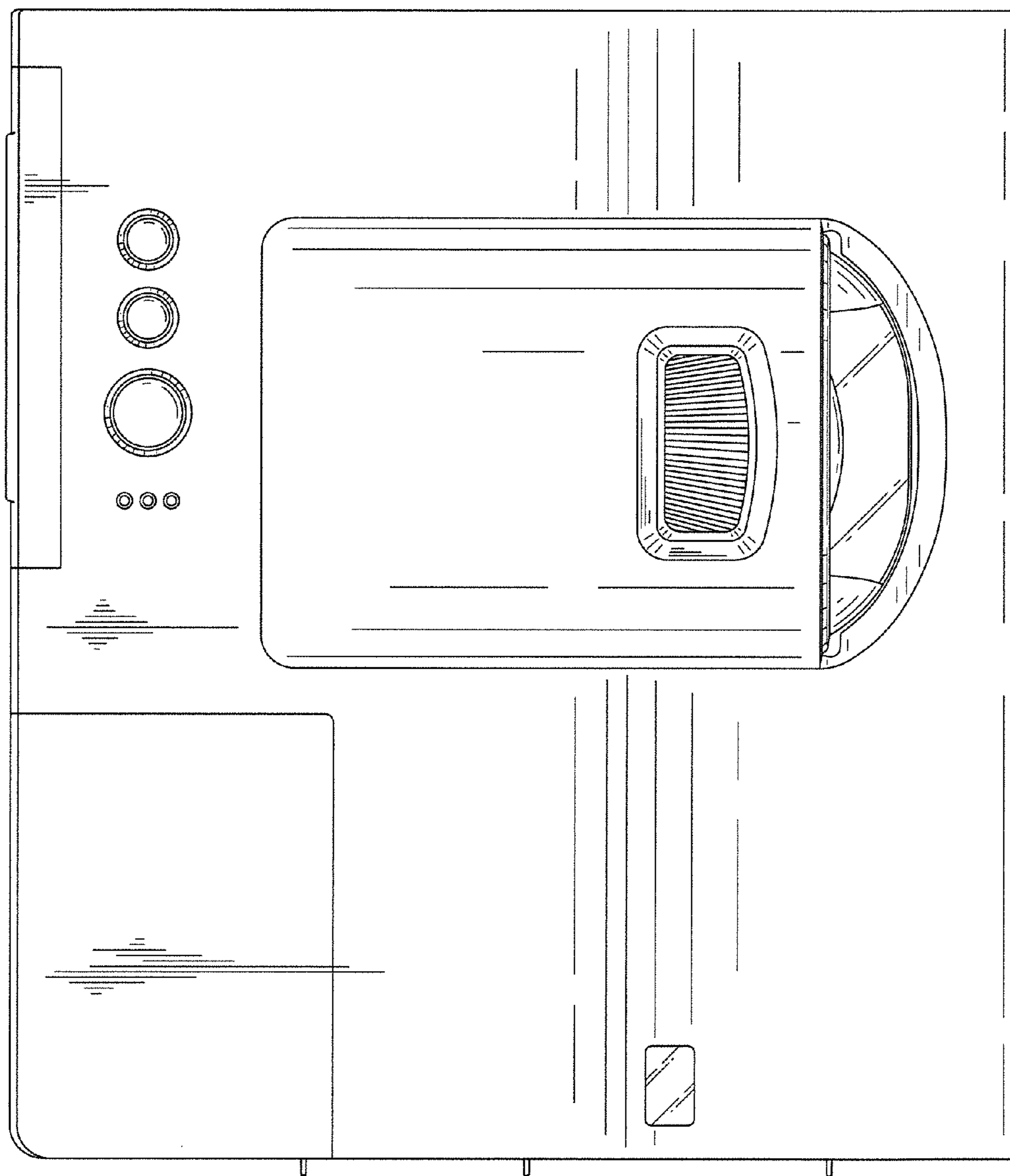


FIG. 6



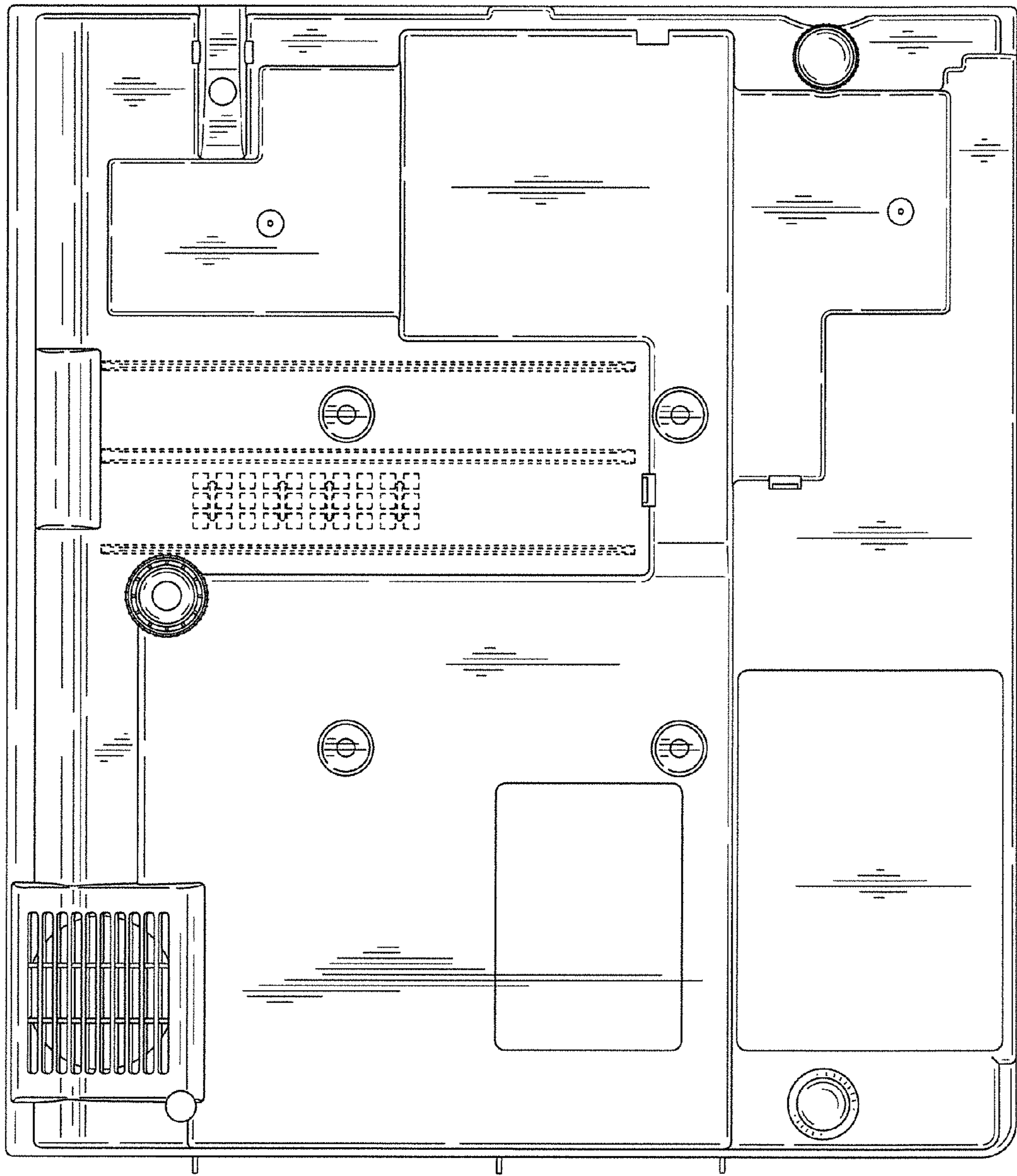


FIG. 7