



US00D718797S

(12) **United States Design Patent**
Anderson et al.

(10) **Patent No.:** **US D718,797 S**
(45) **Date of Patent:** **** Dec. 2, 2014**

(54) **TOOL FOR ROTATION**

(71) Applicant: **Hunter Douglas Inc.**, Pearl River, NY
(US)

(72) Inventors: **Richard N. Anderson**, Whitesville, KY
(US); **Dwain Poynter**, Philpot, KY
(US); **Stephen R. Haarer**, Maceo, KY
(US)

(73) Assignee: **Hunter Douglas Inc.**, Pearl River, NY
(US)

(**) Term: **14 Years**

(21) Appl. No.: **29/465,657**

(22) Filed: **Aug. 30, 2013**

(51) **LOC (10) Cl.** **15-09**

(52) **U.S. Cl.**
USPC **D15/139**

(58) **Field of Classification Search**
USPC D6/575, 577, 579, 580; D8/21-29,
D8/70-71, 349, 368, 369, 376, 382;
D15/138, 139; 81/52, 119, 120.81,
81/121.1, 124.1-124.6, 124.7, 125, 125.1,
81/177.1, 177.2, 177.6, 177.85, 436;
29/56.5, 270, 402.18, 460, 527.2;
204/194; 205/80

See application file for complete search history.

(56) **References Cited**

U.S. PATENT DOCUMENTS

D279,477 S * 7/1985 Mittleman D15/139
5,071,292 A * 12/1991 Satran 407/116

D477,515 S * 7/2003 Winivis D8/70
D479,457 S * 9/2003 Dollar et al. D8/70
D617,357 S * 6/2010 Frejd D15/139
D620,034 S * 7/2010 Sjoo D15/139
D629,820 S * 12/2010 Van Ryswyk D15/139
D695,797 S * 12/2013 Kim D15/139
D696,703 S * 12/2013 Tsai D15/138
2005/0152753 A1 * 7/2005 DeRoche et al. 407/48
2008/0193237 A1 * 8/2008 Men et al. 408/226

* cited by examiner

Primary Examiner — Patricia Palasik

(74) *Attorney, Agent, or Firm* — Camoriano and Associates

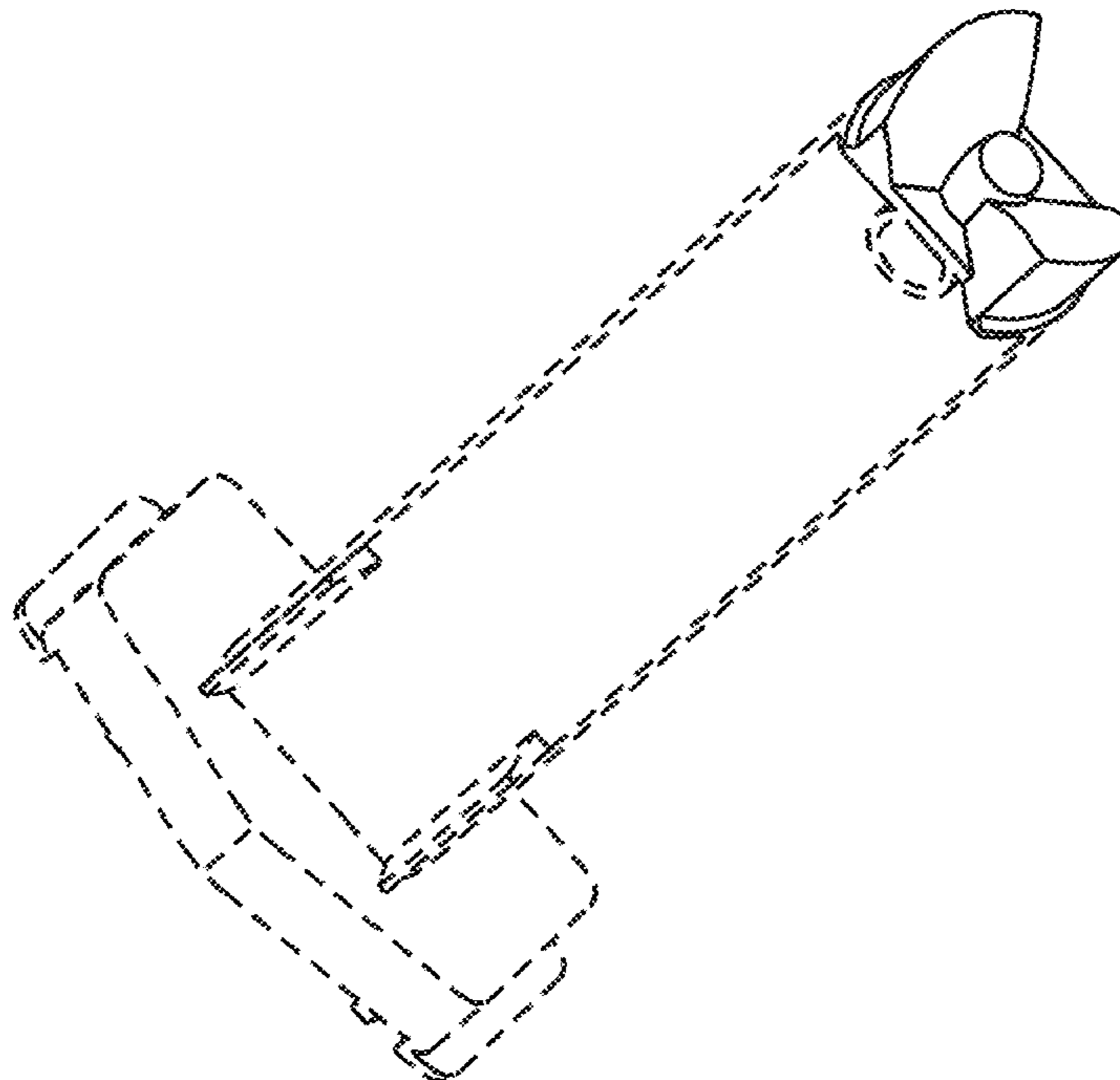
(57) **CLAIM**

The ornamental design for a tool for rotation, as shown and described.

DESCRIPTION

FIG. 1 is a rear perspective view of a tool for rotation showing our design;
FIG. 2 is another rear perspective view thereof;
FIG. 3 is a front perspective view thereof;
FIG. 4 is a front view thereof;
FIG. 5 is a right side view thereof, which is a mirror image of the left side view thereof;
FIG. 6 is a rear view thereof; and,
FIG. 7 is a bottom view of the tool of FIG. 5.
The broken lines in the drawings depict unclaimed environmental subject matter.

1 Claim, 2 Drawing Sheets



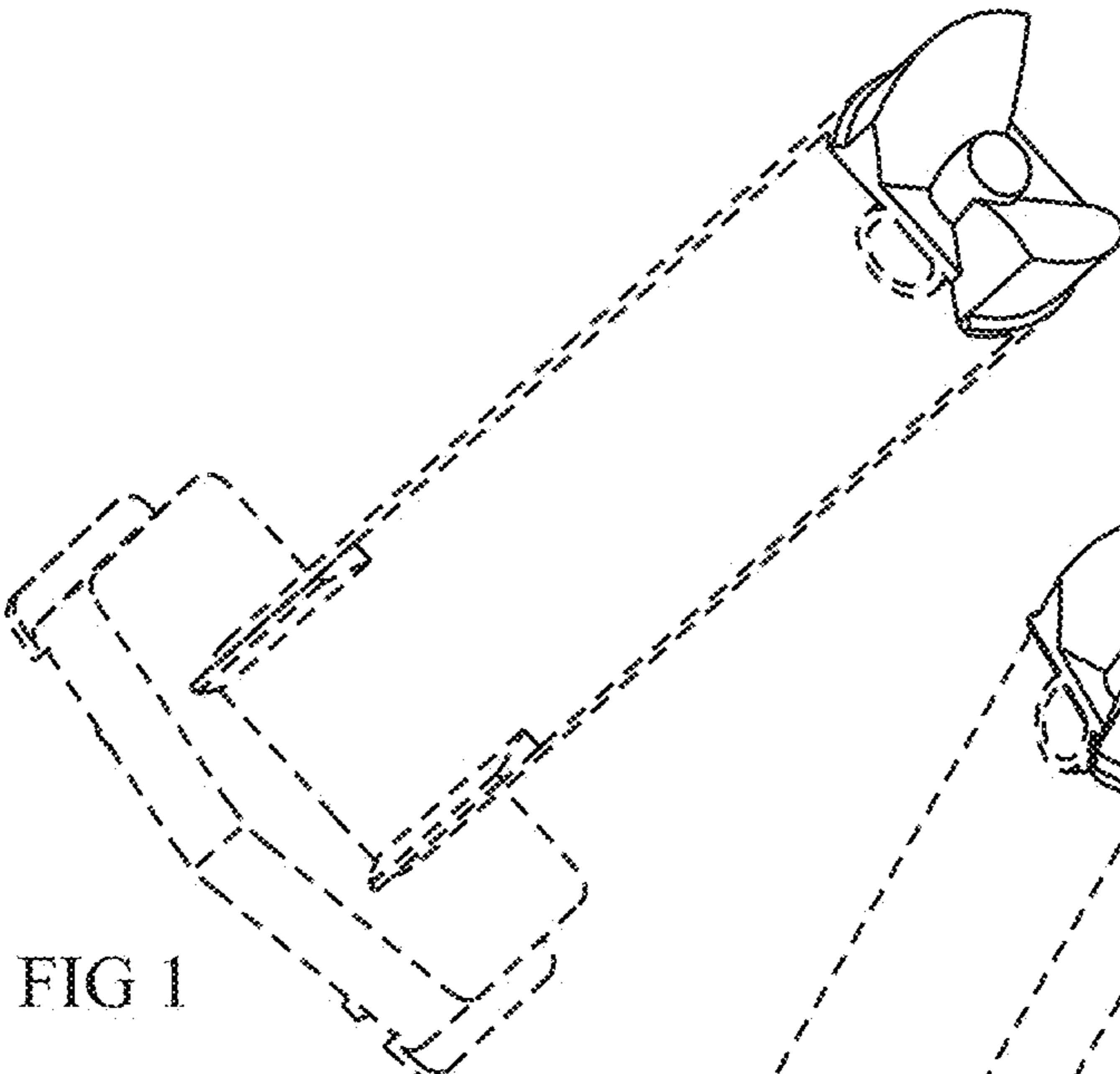


FIG 1

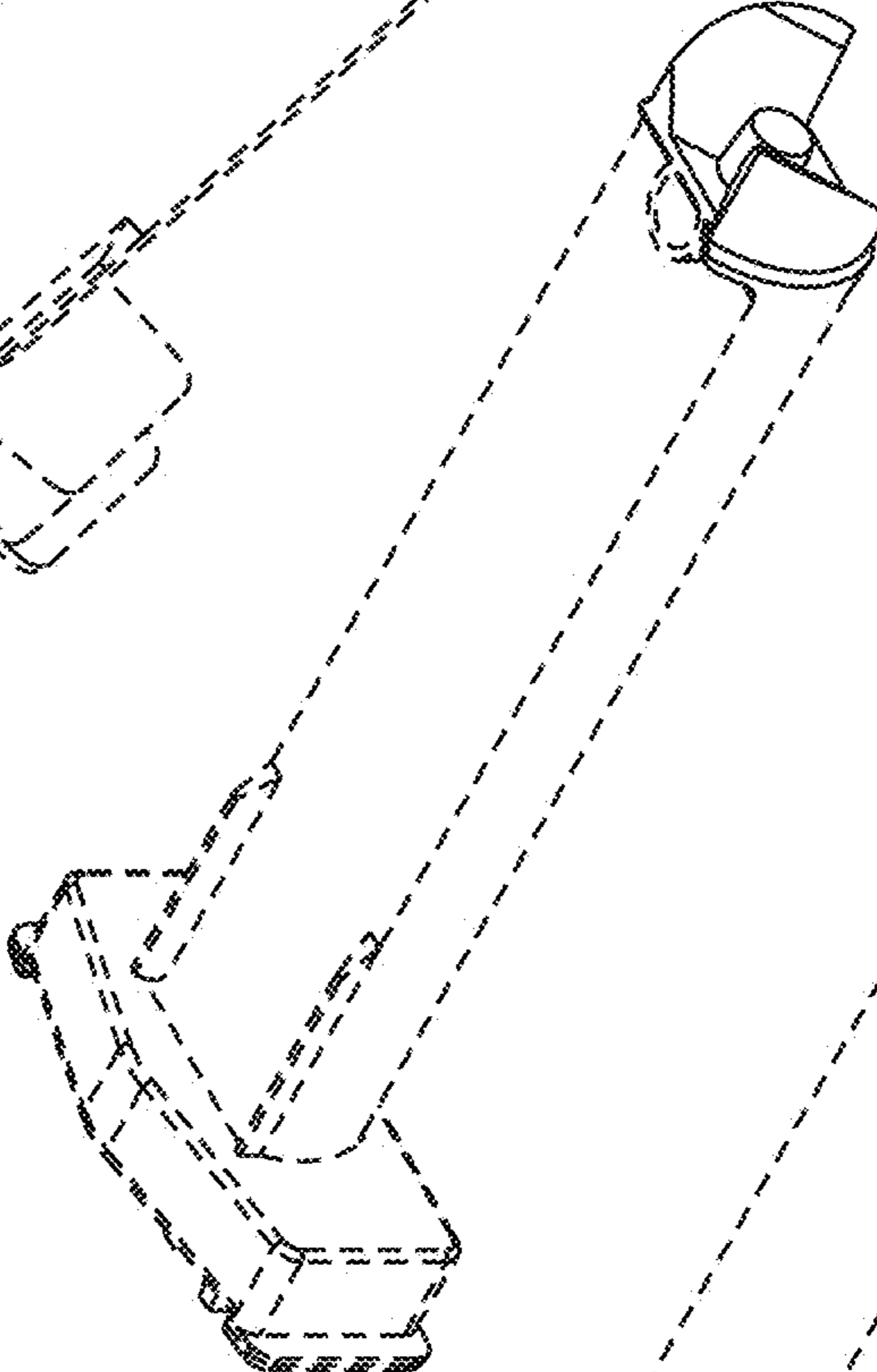


FIG 2

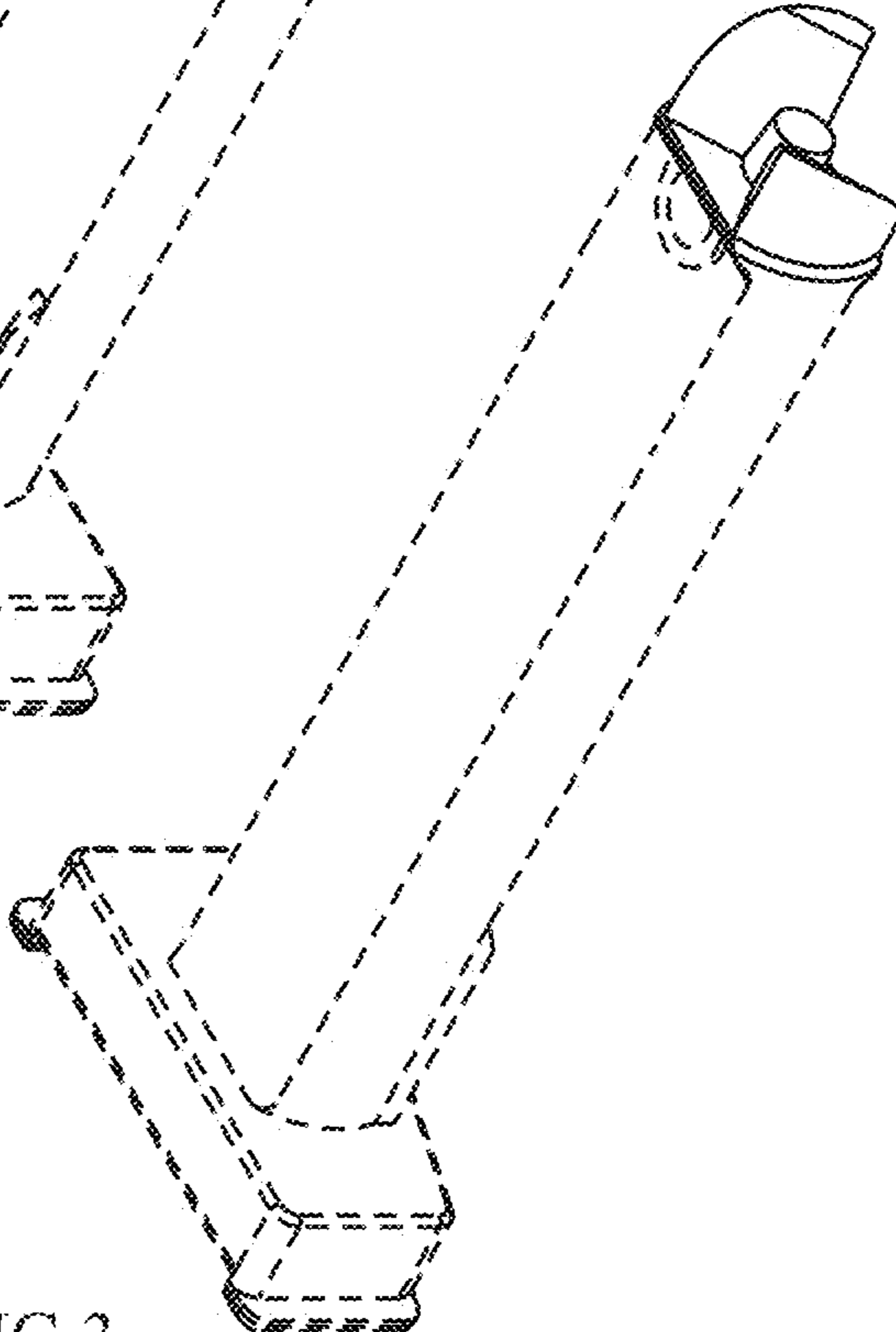


FIG 3

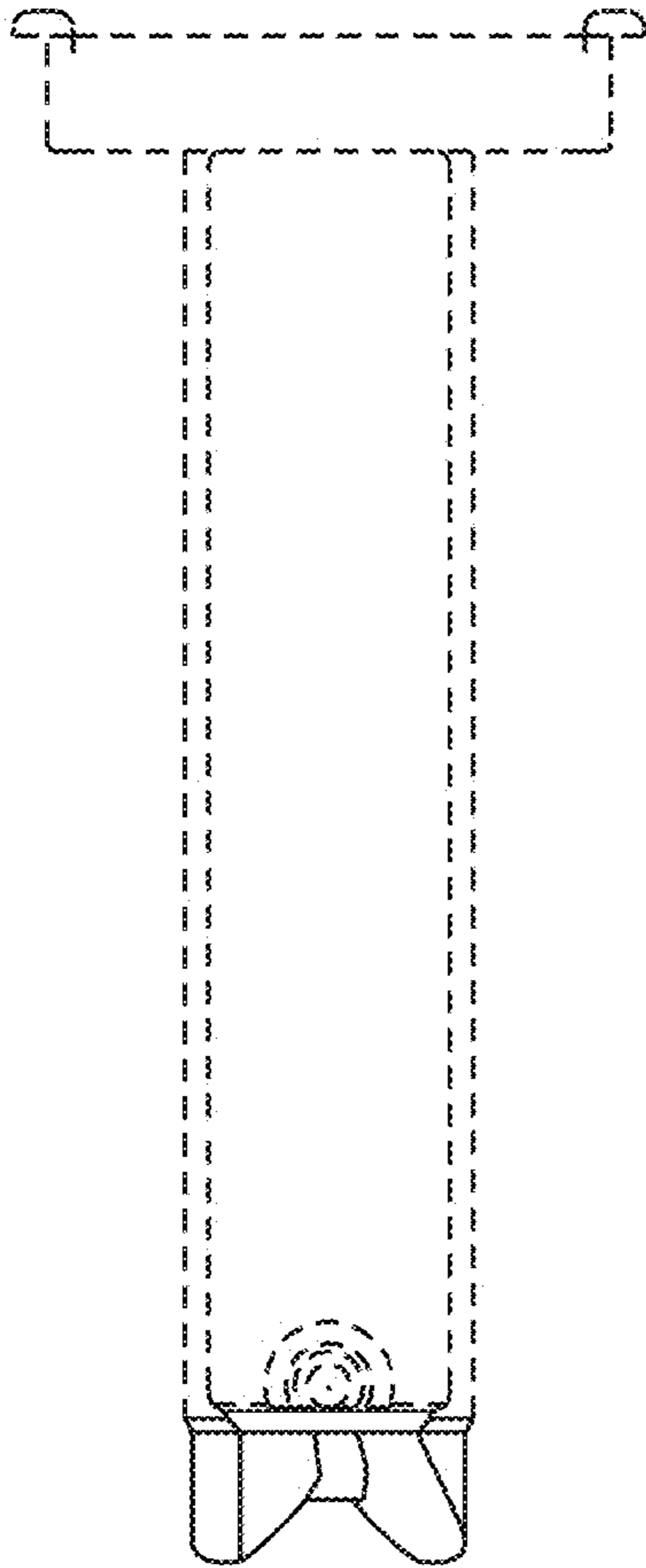


FIG 4

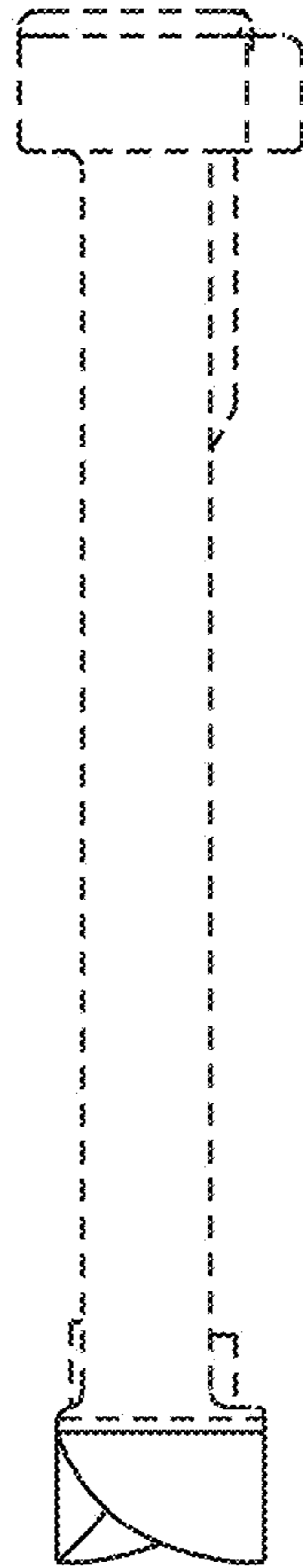


FIG 5

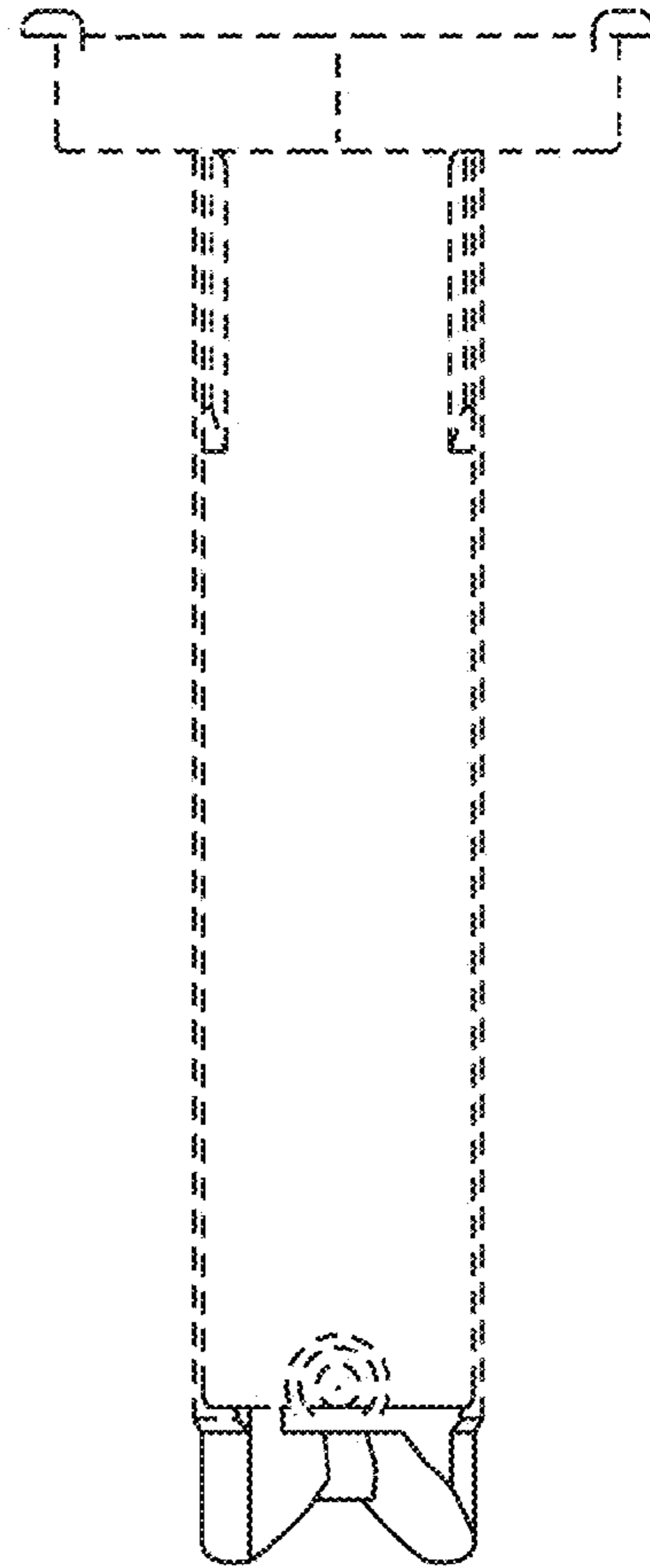


FIG 6

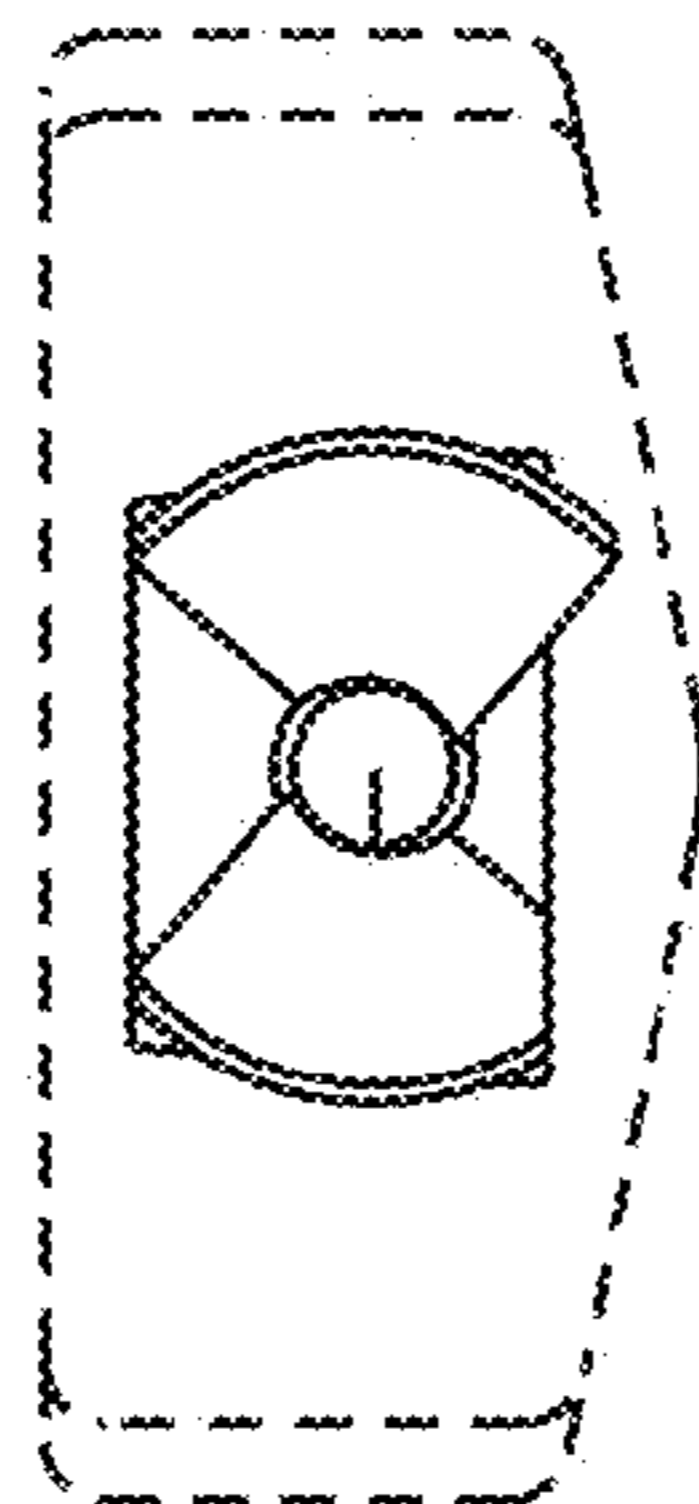


FIG 7