



US00D718795S

(12) **United States Design Patent**
Schönherr et al.

(10) **Patent No.:** **US D718,795 S**
(45) **Date of Patent:** **** Dec. 2, 2014**

(54) **MACHINE TOOL**

(71) Applicant: **TRUMPF GmbH + Co. KG**, Ditzingen (DE)

(72) Inventors: **Tom Schönherr**, Stuttgart (DE);
Andreas Diefenbach, Ditzingen (DE)

(73) Assignee: **TRUMPF GmbH + Co. KG**, Ditzingen (DE)

(**) Term: **14 Years**

(21) Appl. No.: **29/488,623**

(22) Filed: **Apr. 22, 2014**

(30) **Foreign Application Priority Data**

Oct. 31, 2013 (EM) 002336230

(51) **LOC (10) Cl.** **15-09**

(52) **U.S. Cl.**
USPC **D15/122**

(58) **Field of Classification Search**
USPC D15/122, 124, 127, 128, 130, 131;
29/30, 39, 50, 563-566, 564.1-564.8;
483/17-57

See application file for complete search history.

(56) **References Cited**

U.S. PATENT DOCUMENTS

5,367,754 A *	11/1994	Sheehan et al.	29/27 C
D489,077 S *	4/2004	Bloch	D15/127
D548,755 S *	8/2007	Takeshima et al.	D15/122
D559,871 S *	1/2008	Kittaka et al.	D15/122
D578,144 S *	10/2008	Arisue et al.	D15/122
D654,518 S *	2/2012	Miyake et al.	D15/122
D658,686 S *	5/2012	Mueller	D15/122
D694,787 S *	12/2013	Mueller	D15/122
2013/0061726 A1 *	3/2013	Katsu et al.	82/1.11

* cited by examiner

Primary Examiner — Patricia Palasik

(74) *Attorney, Agent, or Firm* — Fish & Richardson P.C.

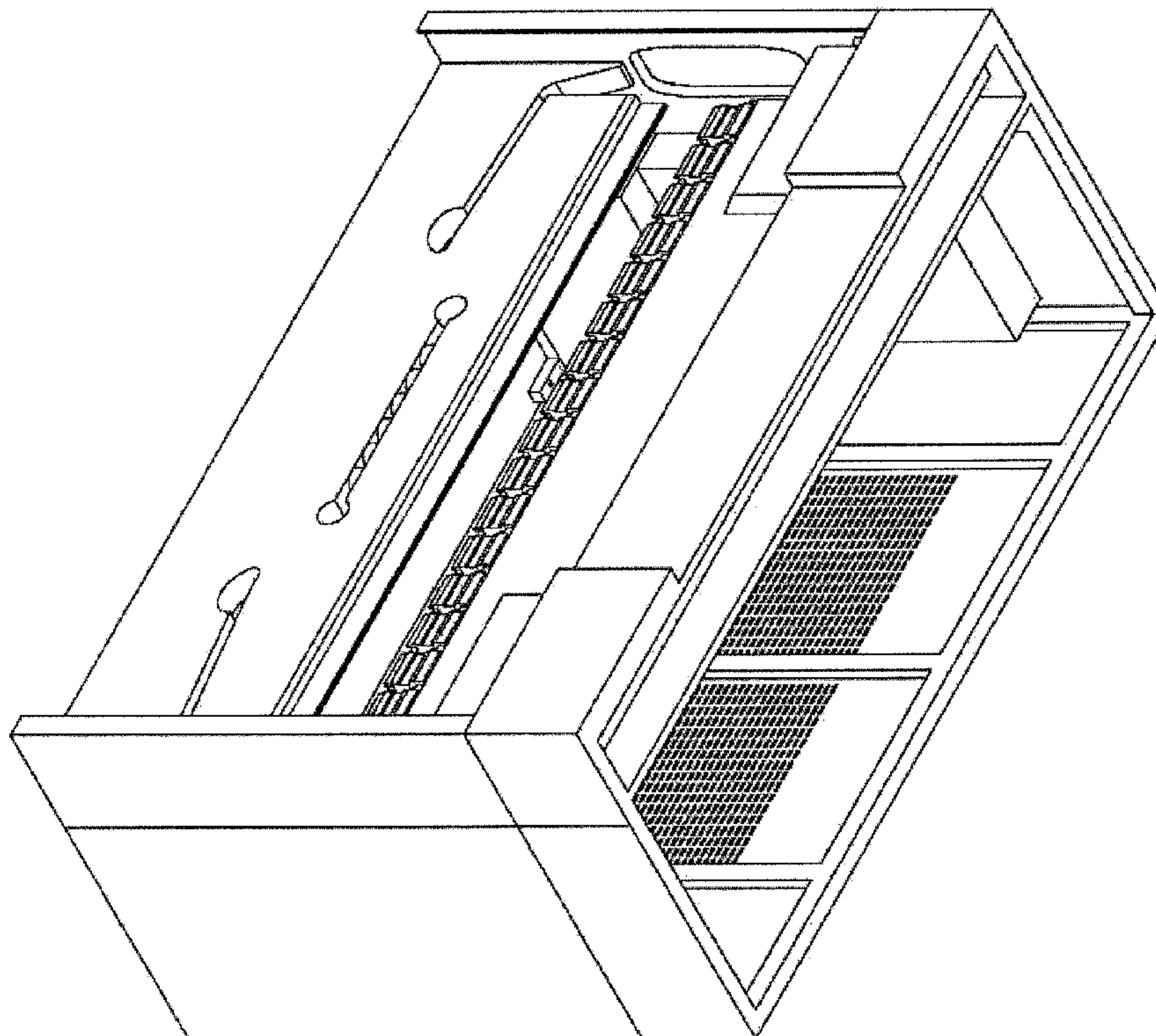
(57) **CLAIM**

We claim the ornamental design for a machine tool, as shown and described.

DESCRIPTION

FIG. 1 is a front perspective view of the machine showing my new design;
FIG. 2 is a front elevation view thereof;
FIG. 3 is a back elevation view thereof
FIG. 4 is a right side view thereof;
FIG. 5 is a left side view thereof;
FIG. 6 is a top plan view thereof; and,
FIG. 7 is a bottom plan view thereof.

1 Claim, 7 Drawing Sheets



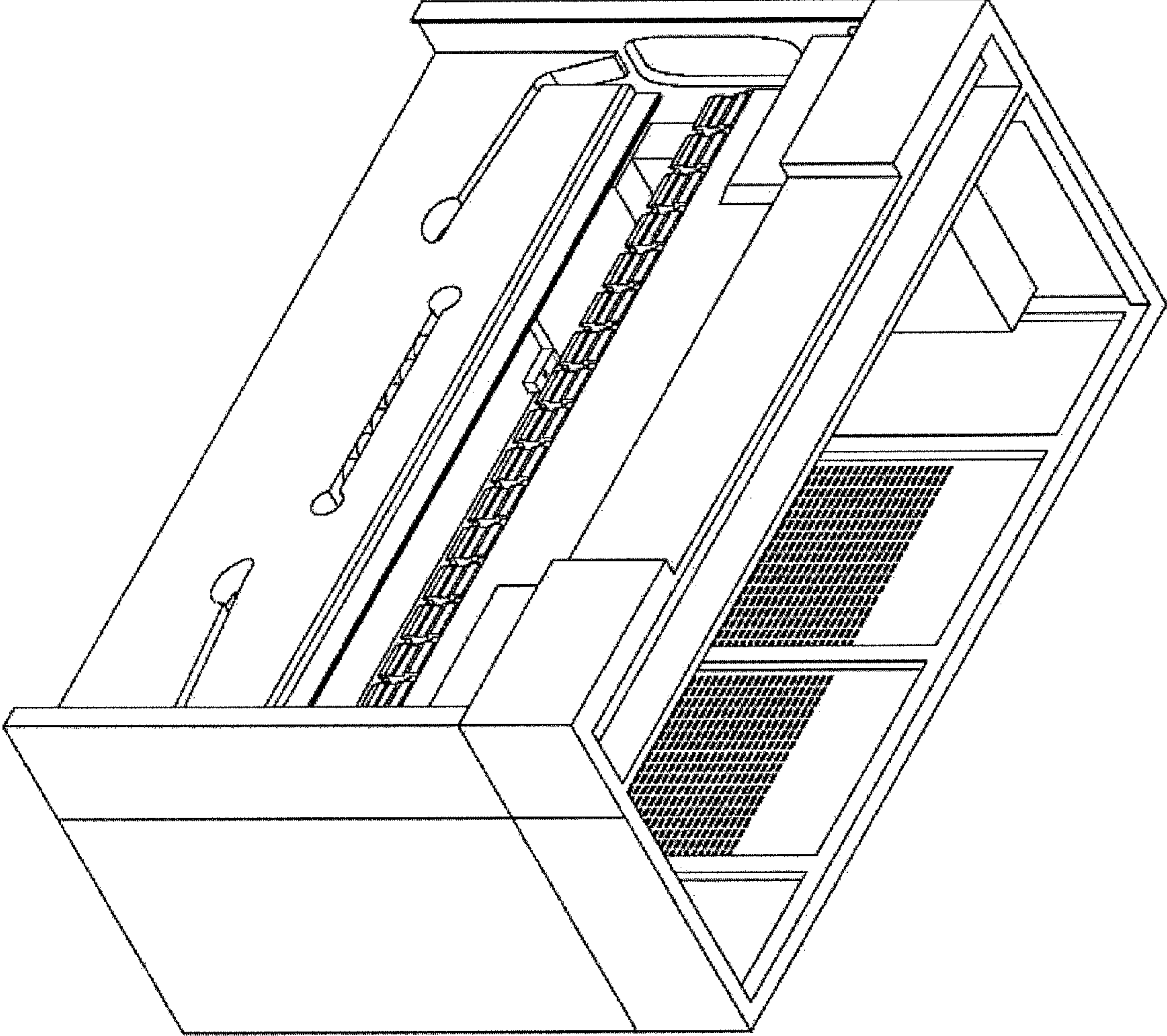


FIG 1

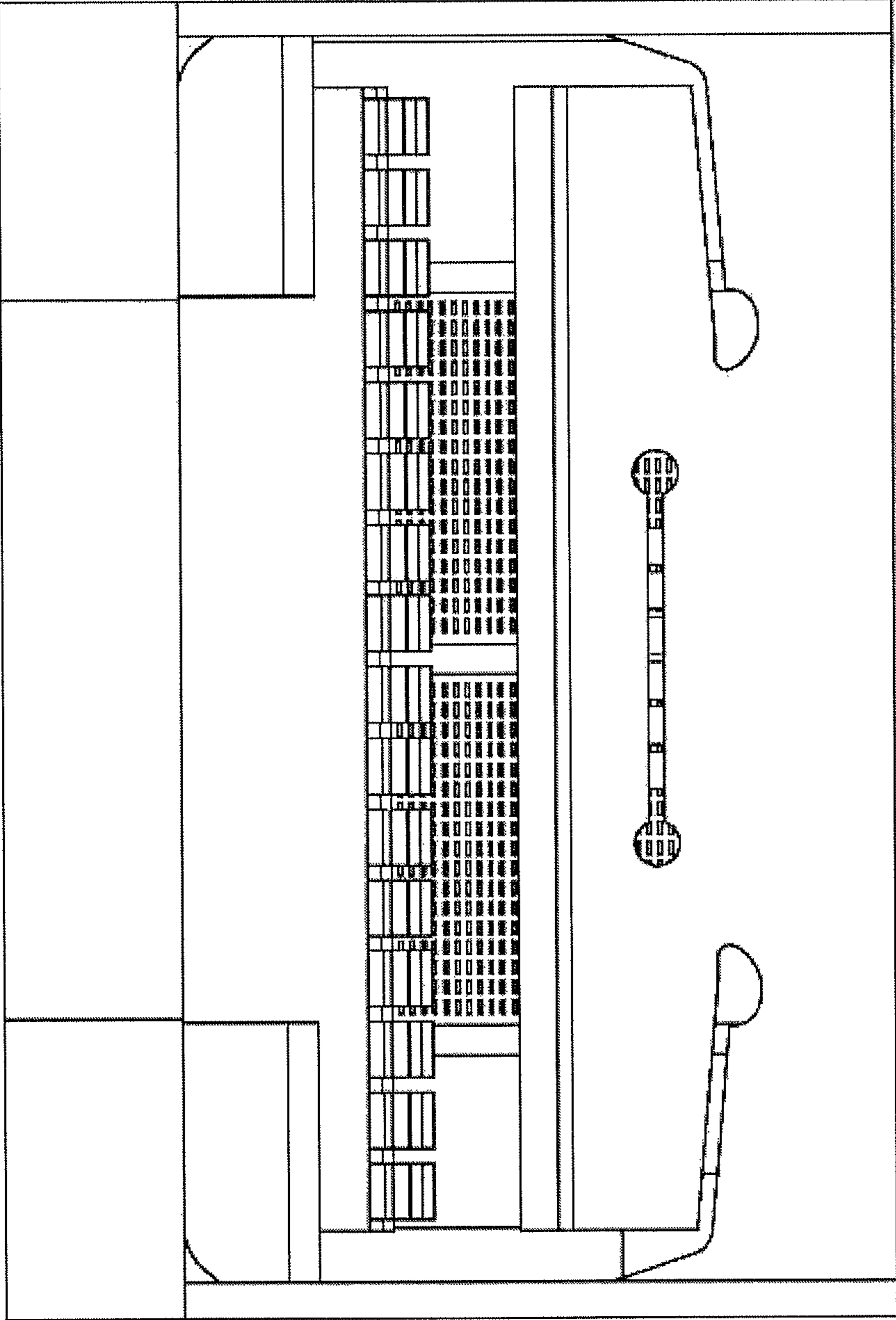


FIG 2

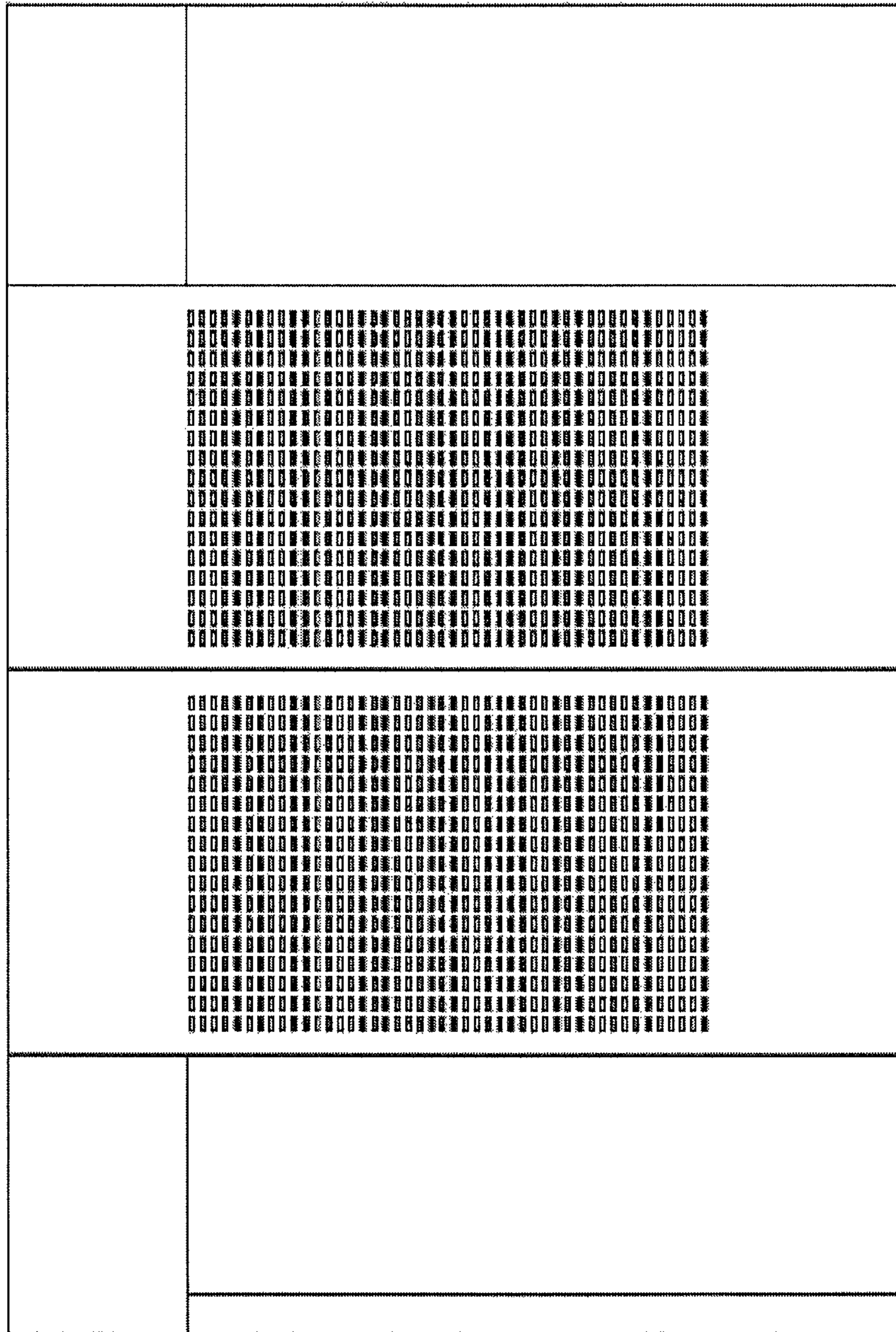


FIG 3

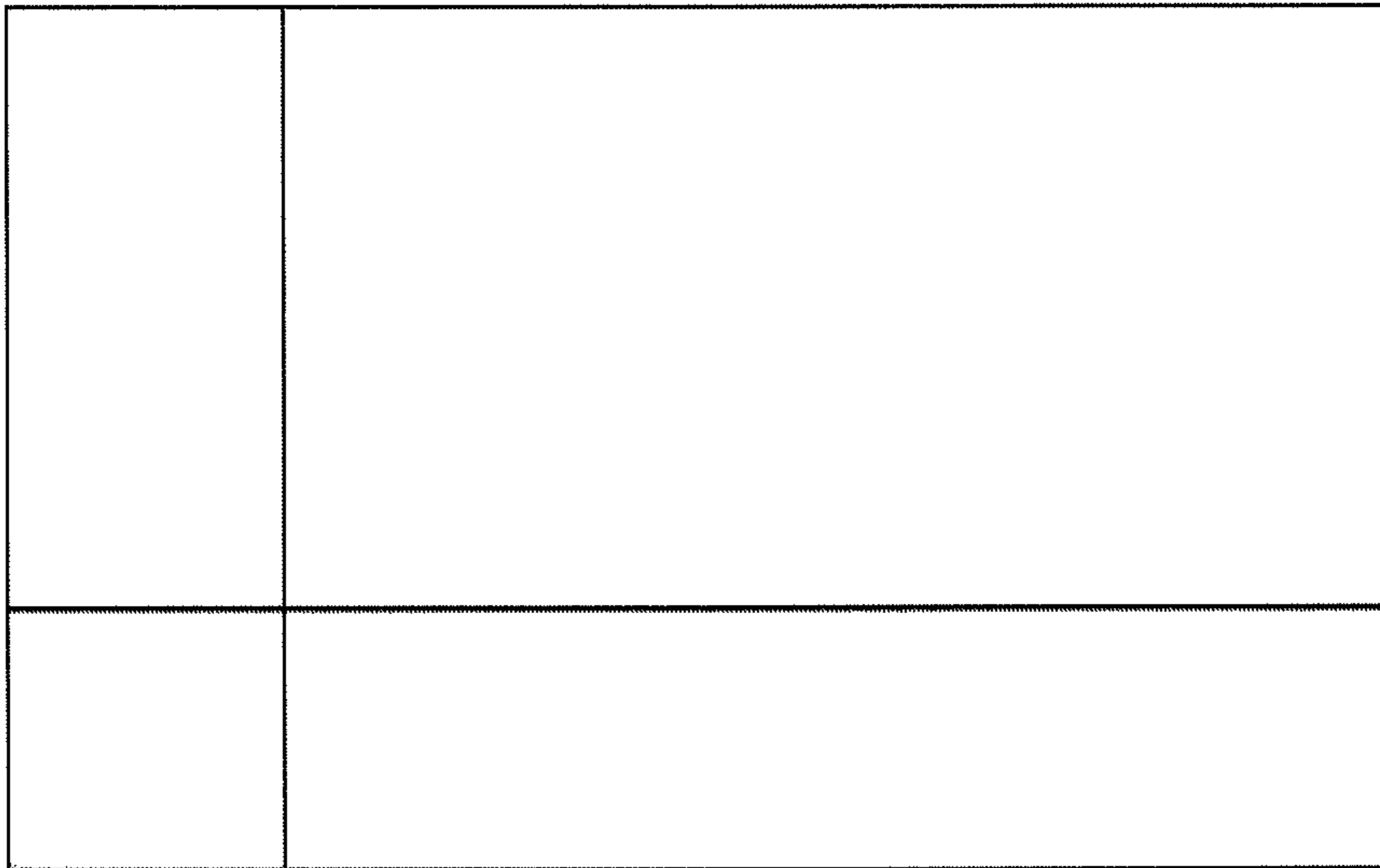


FIG 4

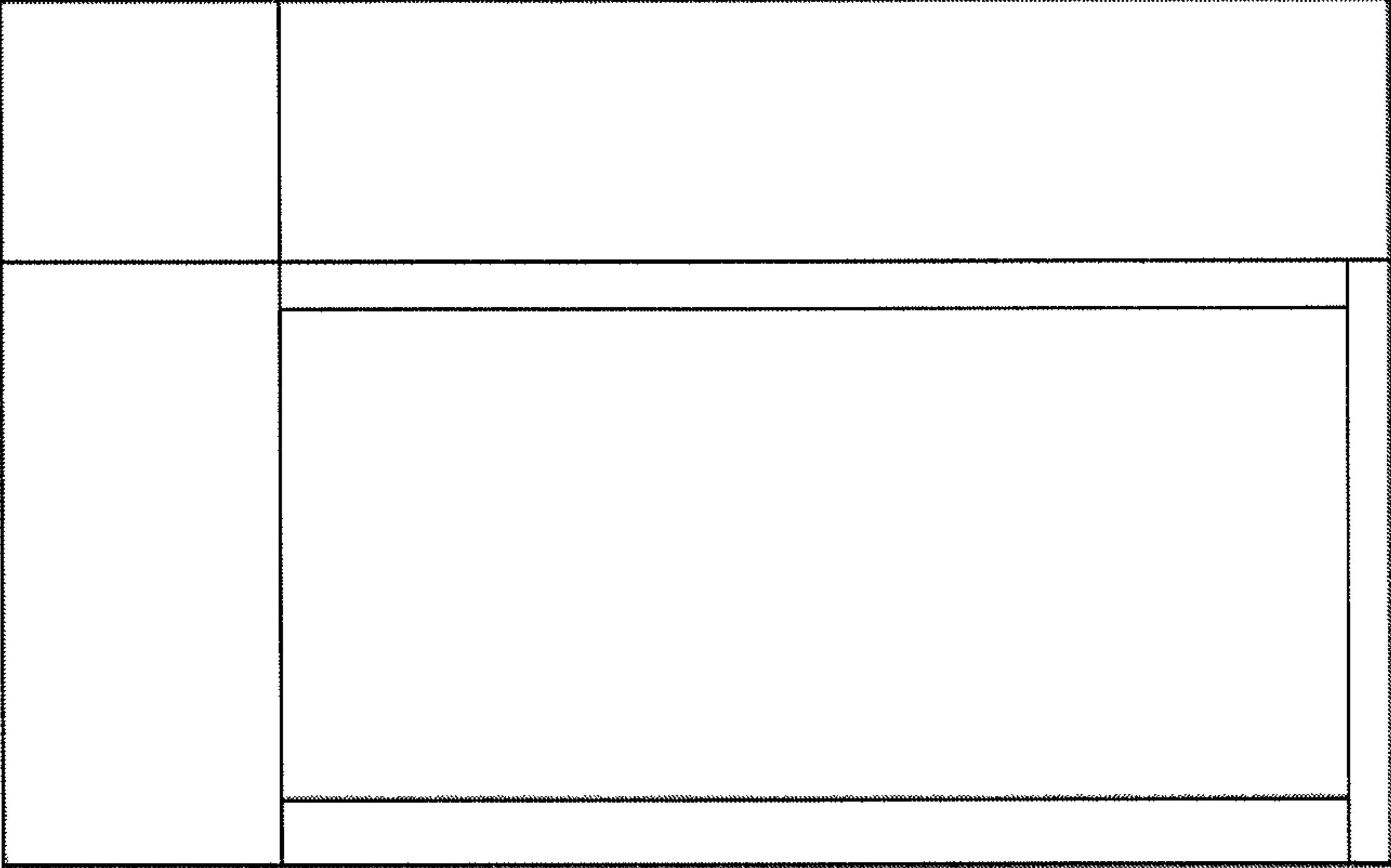


FIG 5

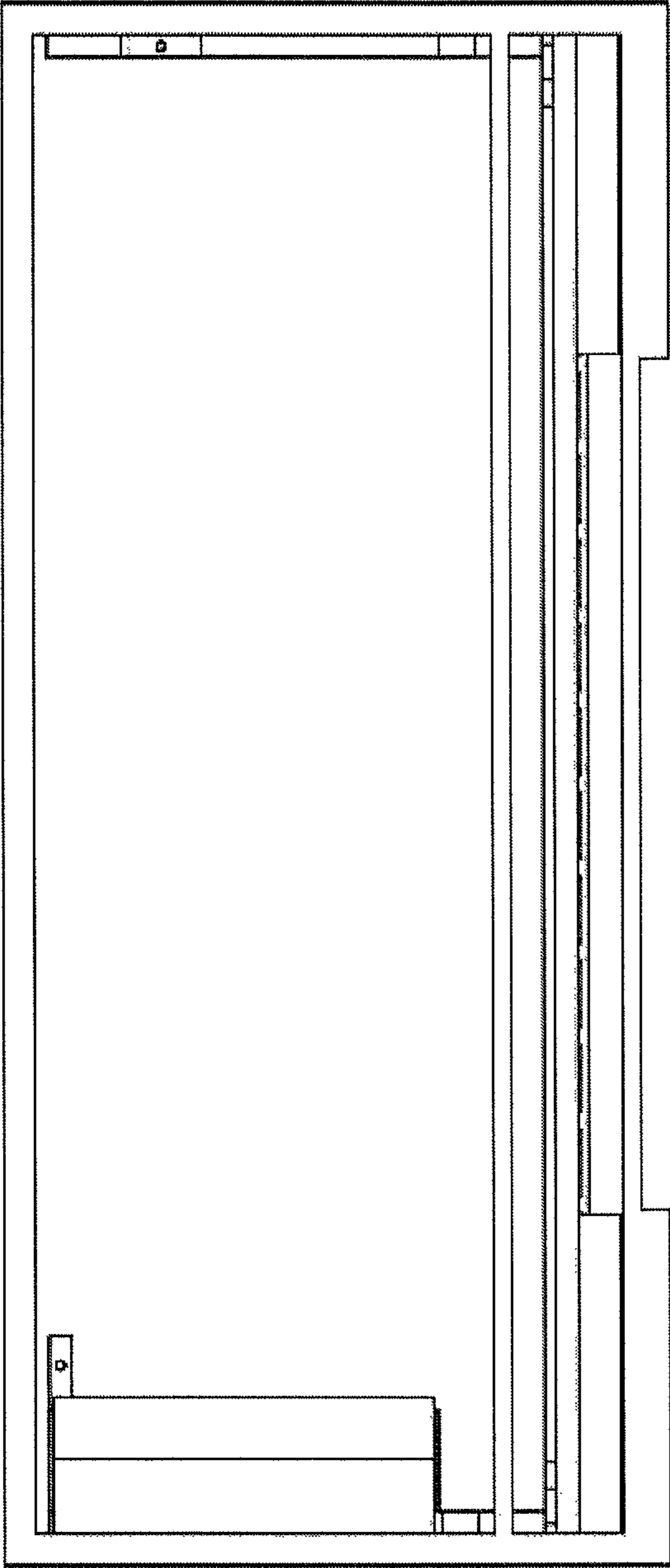


FIG 6

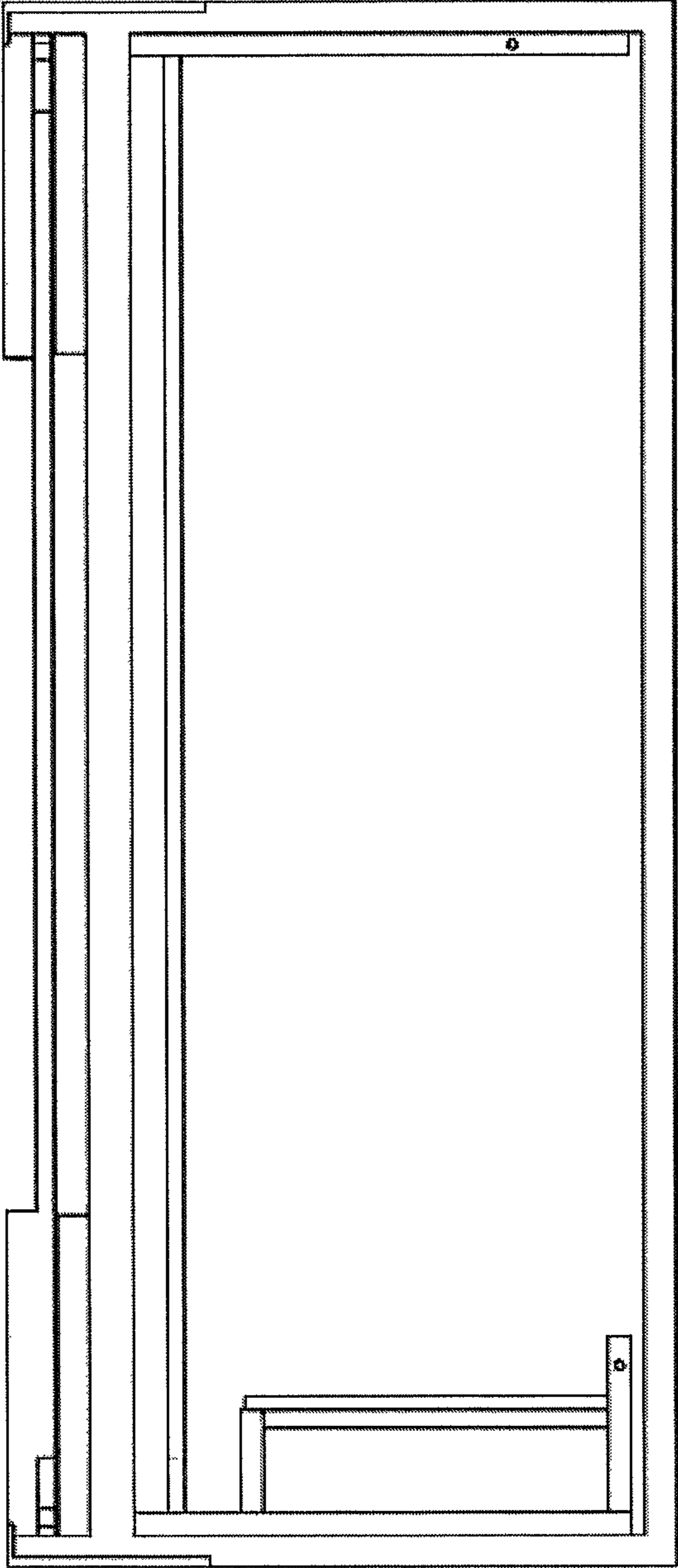


FIG 7