



US00D718792S

(12) **United States Design Patent**  
**Lapham**

(10) **Patent No.:** **US D718,792 S**

(45) **Date of Patent:** **\*\* Dec. 2, 2014**

(54) **SHOVEL**

5,799,998 A 9/1998 Gitterman, III  
5,810,407 A 9/1998 Melendez et al.  
5,848,697 A 12/1998 Eash

(71) Applicant: **Ralph Lapham**, Bellevue, ID (US)

(Continued)

(72) Inventor: **Ralph Lapham**, Bellevue, ID (US)

FOREIGN PATENT DOCUMENTS

(\*\*) Term: **14 Years**

GB 2494869 3/2013  
JP 2006 070680 3/2006  
WO 02/080650 10/2002

(21) Appl. No.: **29/473,844**

OTHER PUBLICATIONS

(22) Filed: **Nov. 26, 2013**

(51) **LOC (10) Cl.** ..... **15-03**

Golden Gark, "Multi-Purpose 3-In-1 Rack, Shovel & Sift Tool," ad from www.qvc.com (2003).

(52) **U.S. Cl.**

USPC ..... **D15/11**

(Continued)

(58) **Field of Classification Search**

USPC ..... D15/11; D21/120; D8/10; D34/24;  
294/59, 49, 54.5, 55; 37/274, 276, 231,  
37/322, 260, 265, 270, 285; 280/47.1,  
280/47.2, 30

*Primary Examiner* — Mark Goodwin

(74) *Attorney, Agent, or Firm* — Wolf, Greenfield & Sacks, P.C.

See application file for complete search history.

(57) **CLAIM**

The ornamental design for a shovel, as shown and described.

(56) **References Cited**

**DESCRIPTION**

U.S. PATENT DOCUMENTS

462,918 A	11/1891	Zabel	
910,274 A	1/1909	Duprey	
2,484,409 A	10/1949	Jameson	
2,758,320 A	8/1956	Ettlinger, Jr.	
3,063,174 A *	11/1962	Ludin	37/434
3,121,963 A *	2/1964	Nolan	37/265
D206,177 S *	11/1966	Unruh	D8/10
3,475,838 A *	11/1969	Hagen et al.	37/265
3,751,058 A *	8/1973	Larsen	280/30
4,316,627 A	2/1982	Solya	
4,901,801 A	2/1990	Popivalo	
5,161,772 A	11/1992	DiResta et al.	
D336,709 S *	6/1993	Walkley et al.	D34/24
5,383,696 A	1/1995	Speier	
5,417,044 A	5/1995	Russo et al.	
5,536,055 A	7/1996	Kohn	
D375,235 S *	11/1996	Spear et al.	D8/10
5,601,325 A	2/1997	Sokaski	
D378,890 S *	4/1997	Furno	D3/10

FIG. 1 is a top, front, right side perspective view of a shovel of this invention;

FIG. 2 is a top plan view of the shovel shown in FIG. 1;

FIG. 3 is a bottom plan view of the shovel shown in FIG. 1;

FIG. 4 is a left side elevational view of the shovel shown in FIG. 1;

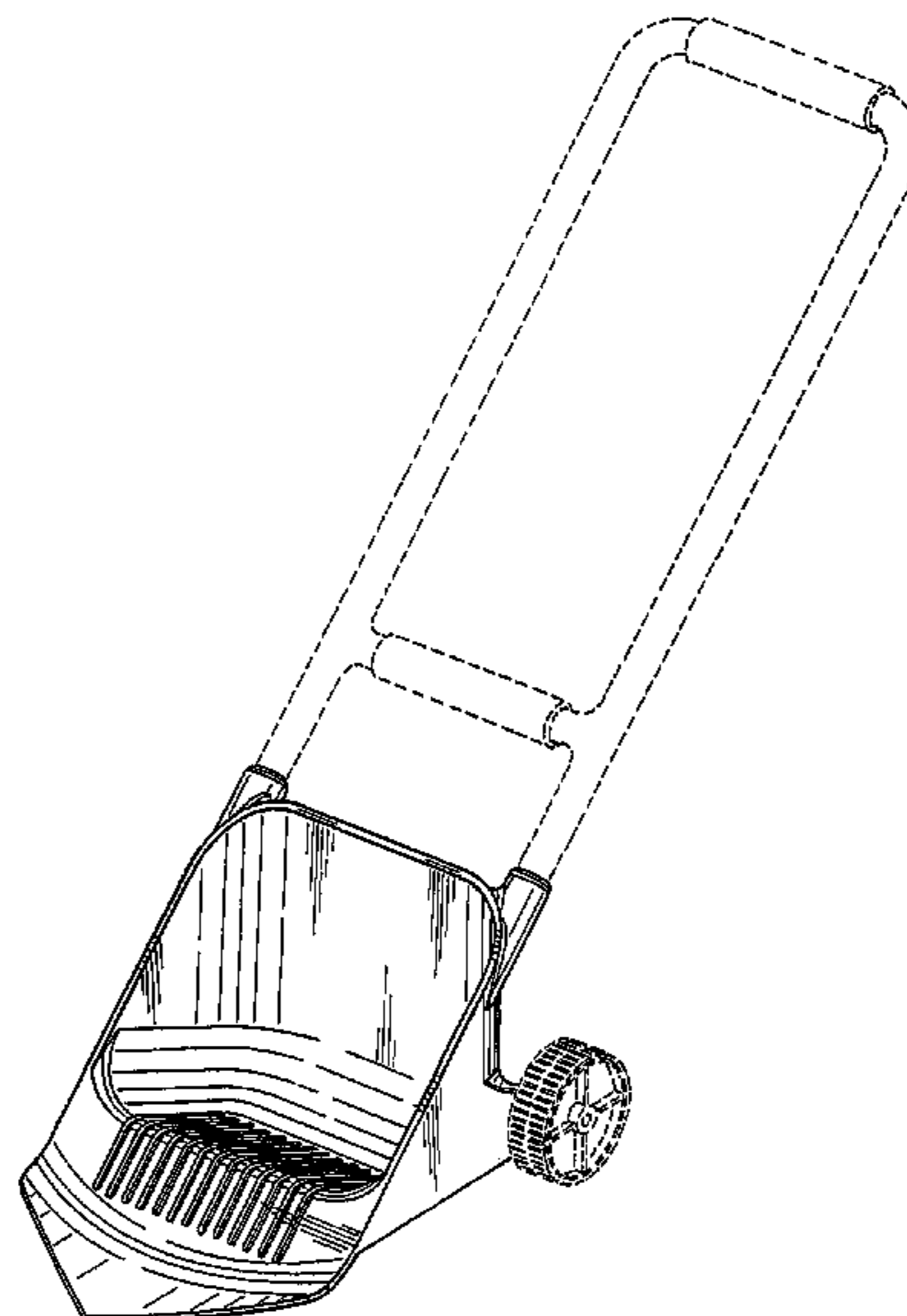
FIG. 5 is a right side elevational view of the shovel shown in FIG. 1;

FIG. 6 is a front elevational view of the shovel shown in FIG. 1; and,

FIG. 7 is a rear elevational view of the shovel shown in FIG. 1.

The dashed, broken lines shown in the figures illustrate portions of the shovel that form no part of the claimed design.

**1 Claim, 6 Drawing Sheets**



(56)

**References Cited**

U.S. PATENT DOCUMENTS

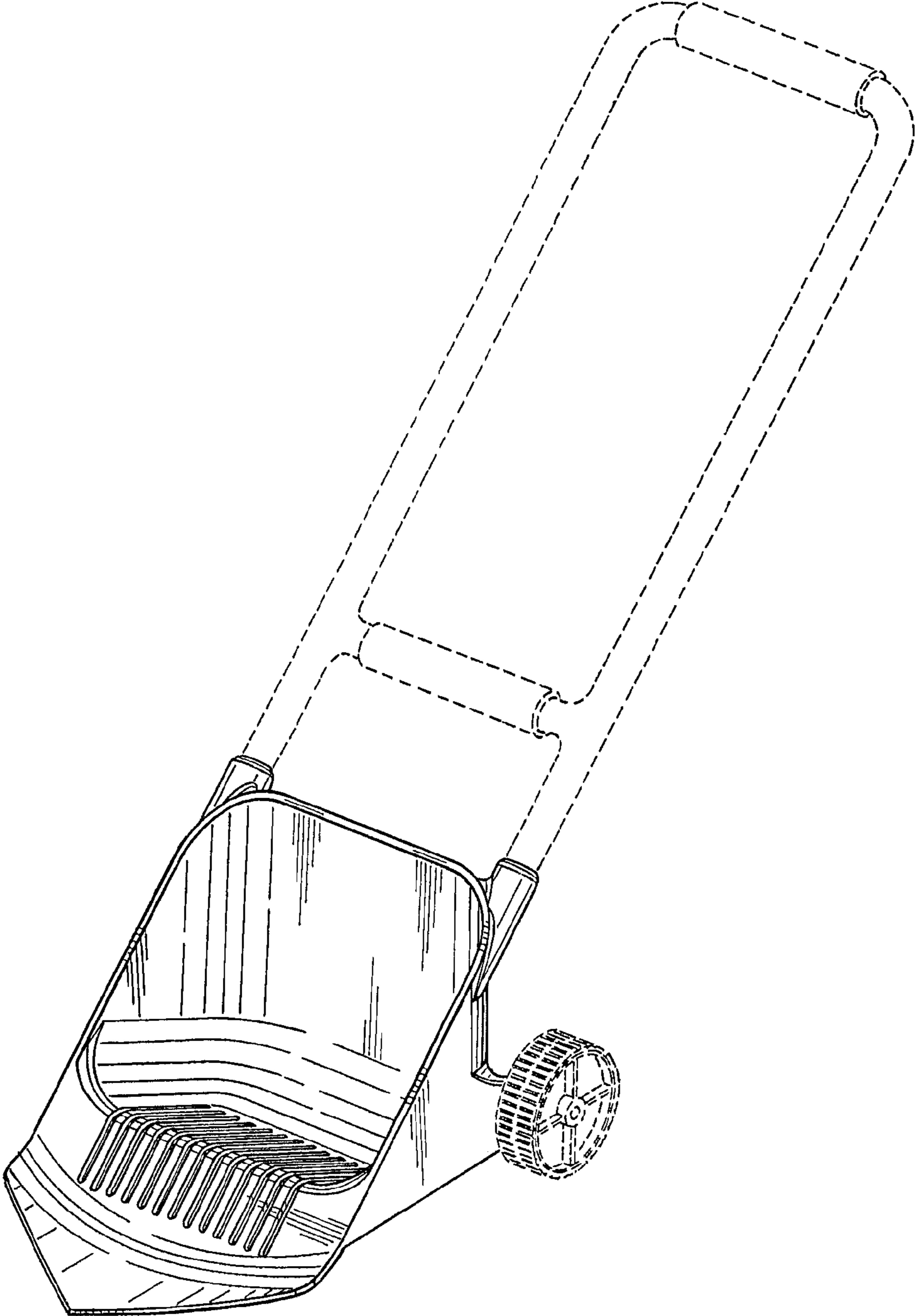
D405,665 S \* 2/1999 Whitehead et al. .... D8/10  
 5,868,374 A 2/1999 Lomando  
 5,878,563 A 3/1999 Dutcher  
 D407,723 S \* 4/1999 Weisman et al. .... D15/11  
 5,918,921 A \* 7/1999 Samuelson ..... 294/54.5  
 D437,462 S 2/2001 Whall et al.  
 6,334,538 B1 1/2002 Nettles  
 D459,641 S \* 7/2002 Guneyasu ..... D8/10  
 D463,075 S 9/2002 Padgett  
 6,457,757 B2 \* 10/2002 Hendrick ..... 294/54.5  
 6,474,267 B1 11/2002 Padgett  
 6,494,514 B1 12/2002 Stinnett et al.  
 6,735,887 B1 \* 5/2004 Muzzammel ..... 37/285  
 6,922,920 B1 \* 8/2005 Stratz ..... 37/197  
 6,948,268 B1 \* 9/2005 Ronca ..... 37/284  
 7,044,520 B2 5/2006 Roberson et al.  
 D533,975 S 12/2006 Kelly et al.  
 7,299,719 B1 11/2007 Flakne

D563,182 S \* 3/2008 Kopp ..... D8/10  
 7,510,225 B1 3/2009 Stinnett et al.  
 7,540,544 B2 6/2009 Berto  
 7,681,336 B2 \* 3/2010 Noonan et al. .... 37/265  
 7,712,805 B2 5/2010 Klangos  
 7,878,334 B2 2/2011 Tucker  
 D635,834 S \* 4/2011 Clink ..... D8/10  
 8,001,707 B2 \* 8/2011 Coles ..... 37/265  
 D656,162 S \* 3/2012 Wiik ..... D15/11  
 D667,283 S \* 9/2012 Blouin ..... D8/10  
 8,631,593 B1 \* 1/2014 Ferris ..... 37/270  
 2007/0222242 A1 9/2007 Daniels  
 2011/0011779 A1 1/2011 Riccardi  
 2013/0043169 A1 2/2013 Horton, II  
 2013/0140220 A1 6/2013 Knittel

OTHER PUBLICATIONS

Toolite, "Mud Release Shovel," ad from www.agriculturesolutions.com (2013).

\* cited by examiner



*Fig. 1*

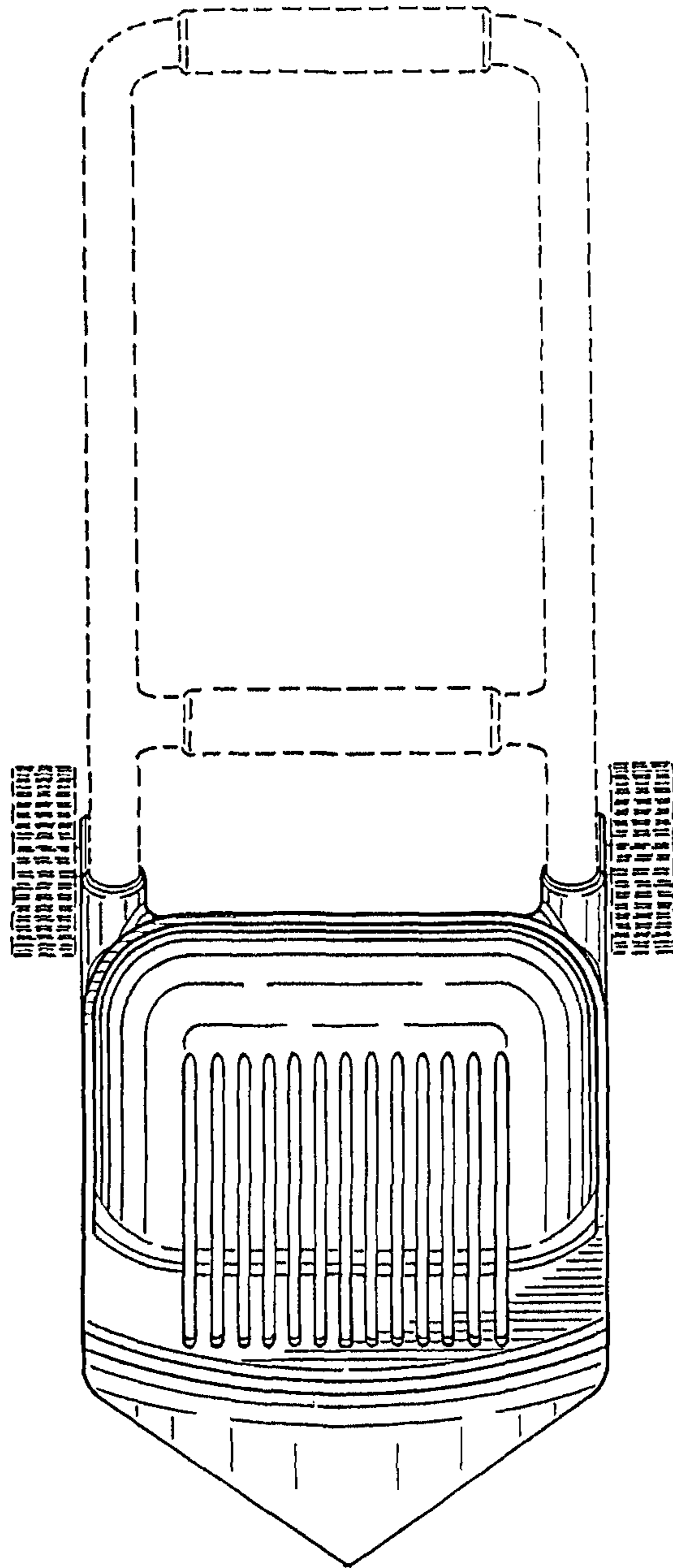


Fig. 2

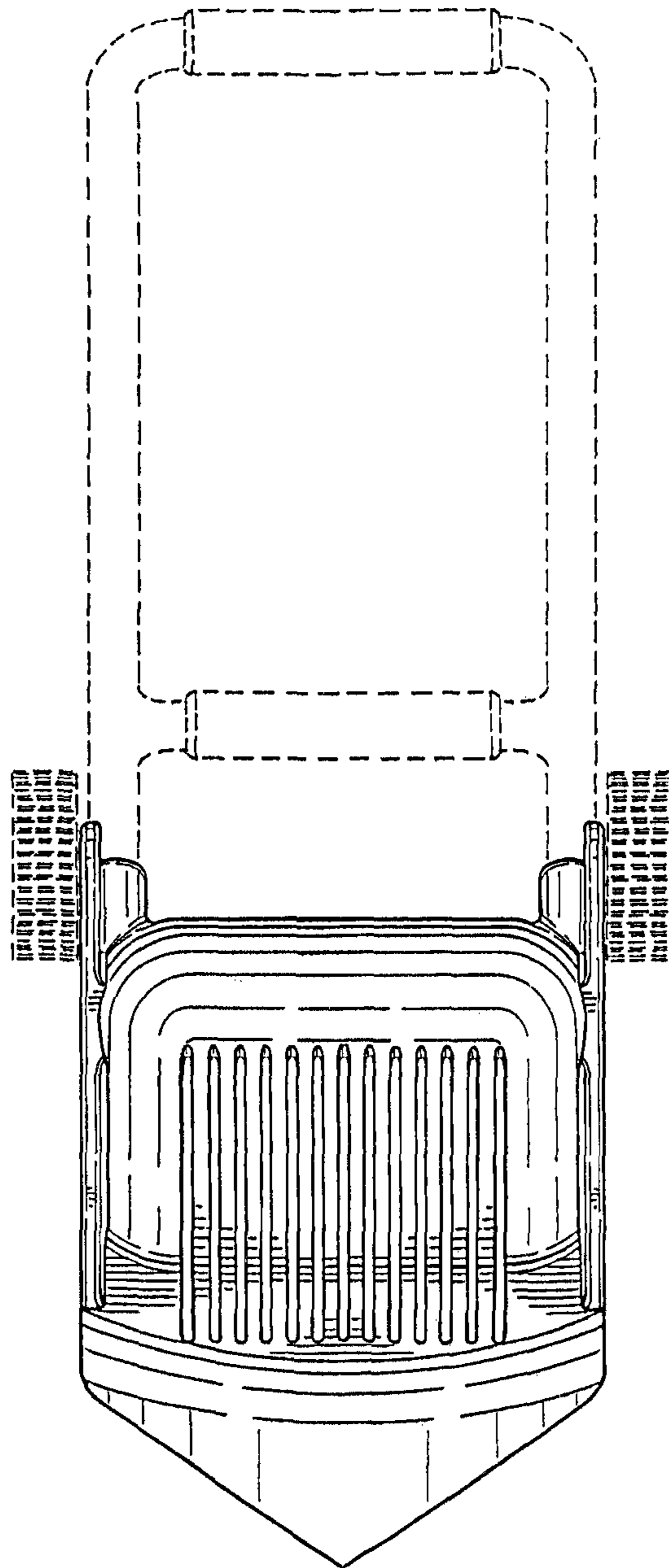


Fig. 3



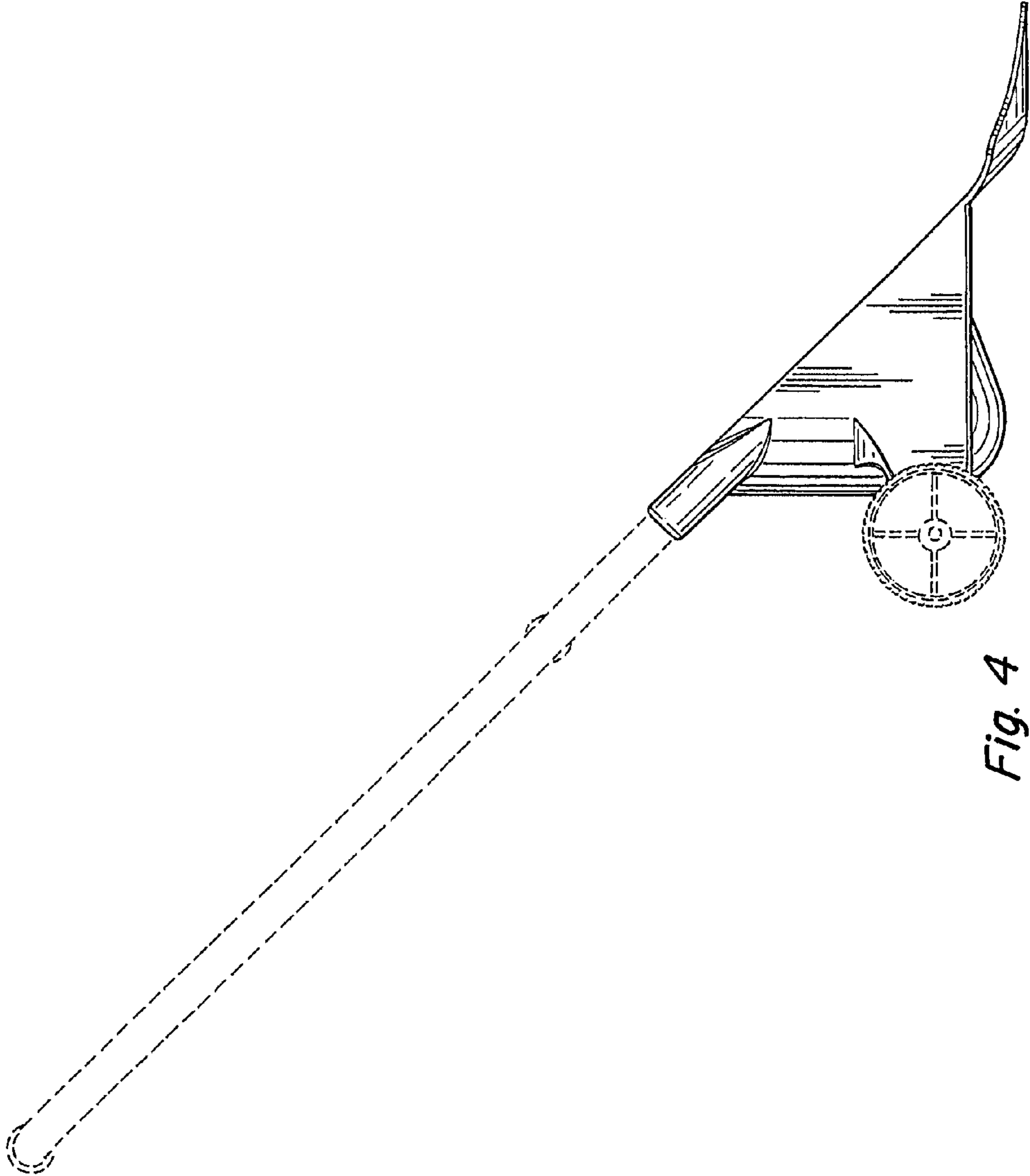


Fig. 4

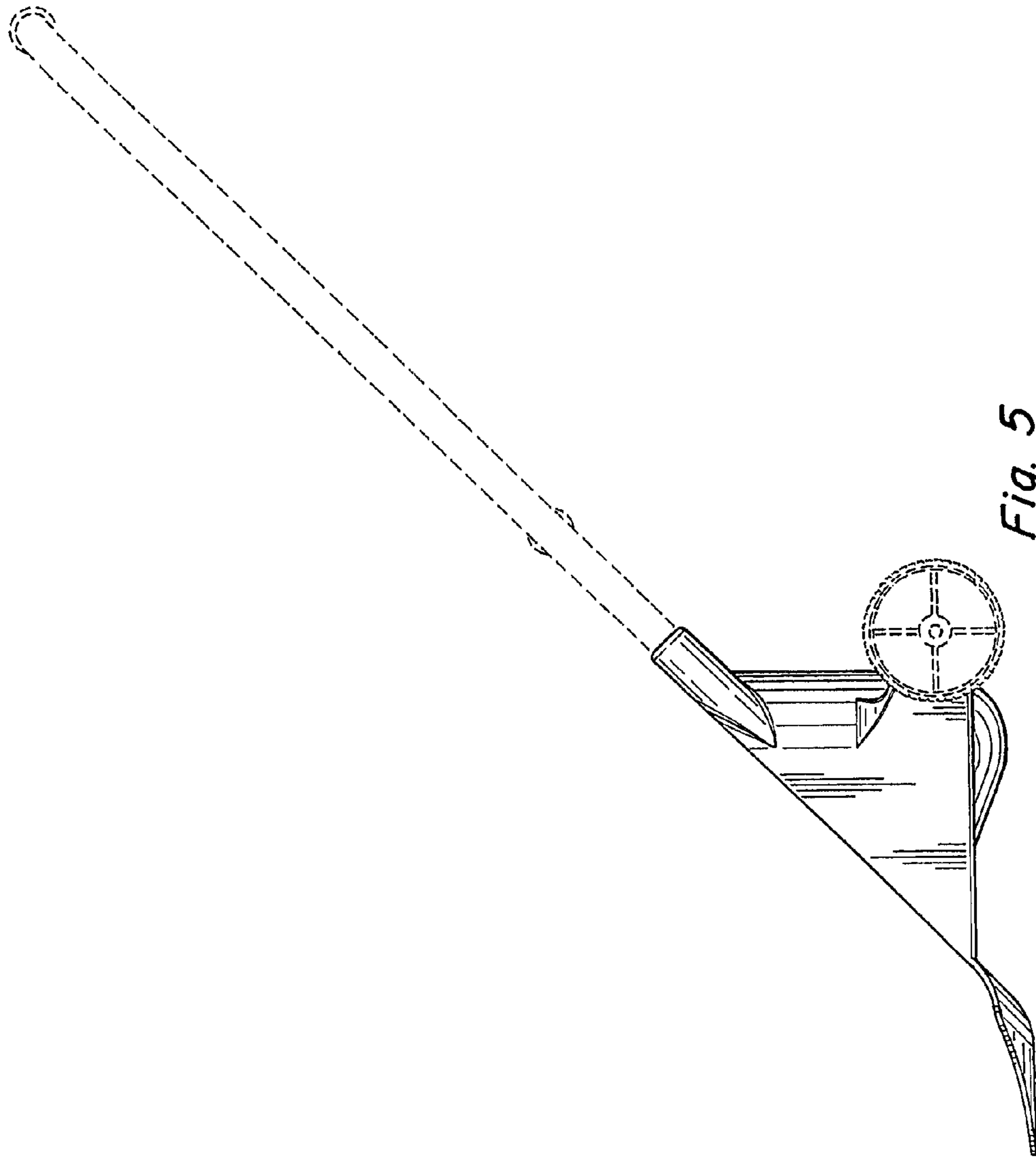


Fig. 5

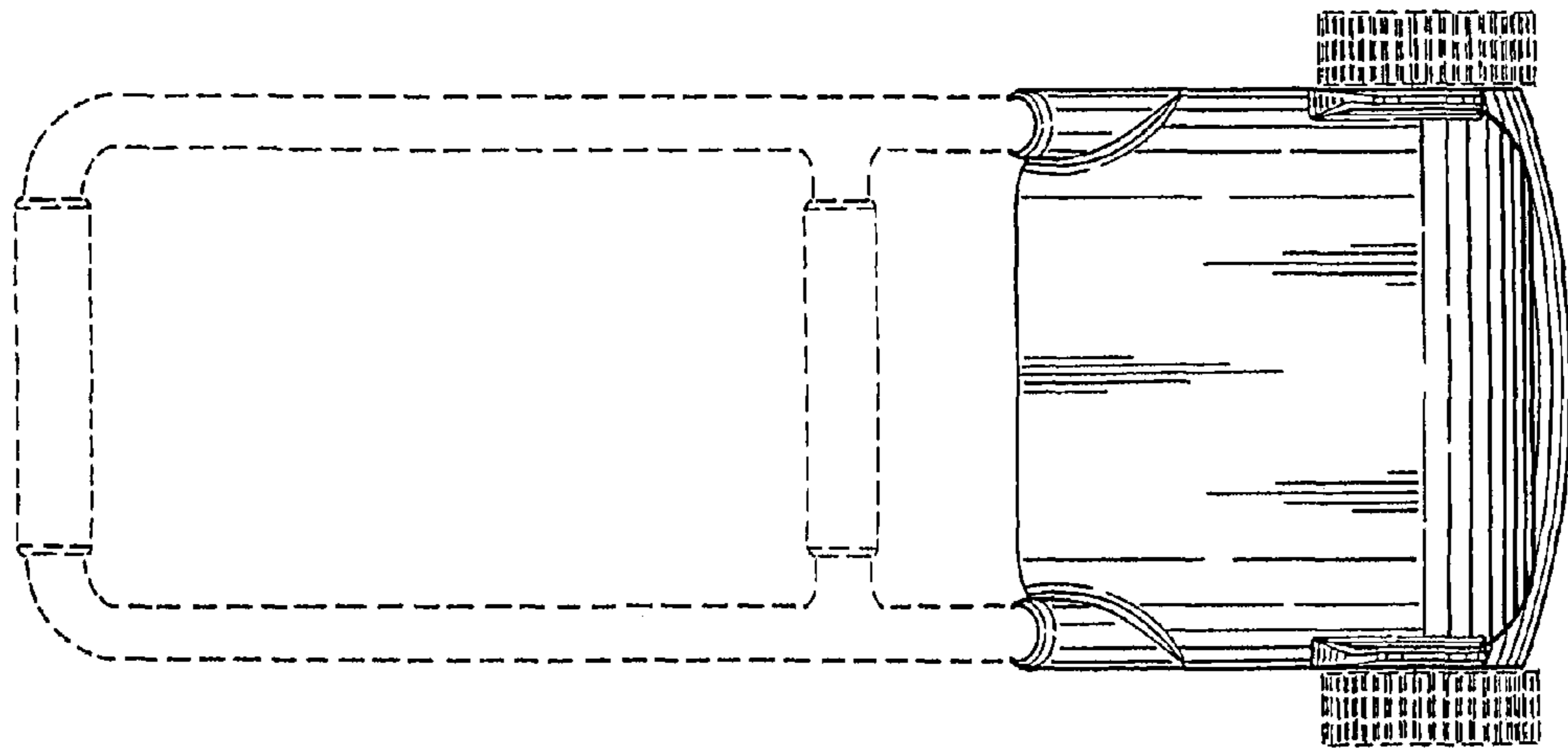


Fig. 7

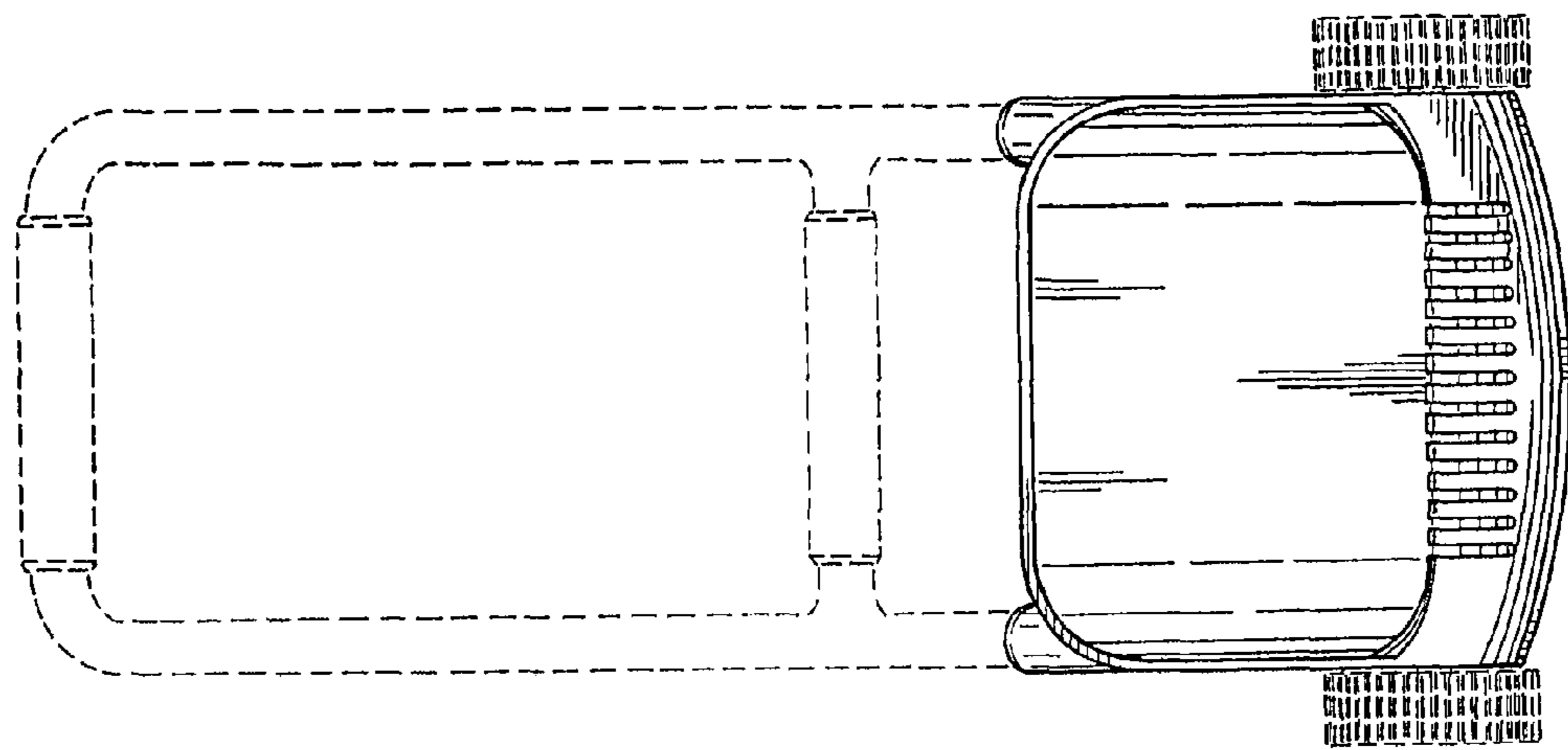


Fig. 6



UNITED STATES PATENT AND TRADEMARK OFFICE  
**CERTIFICATE OF CORRECTION**

PATENT NO. : D718,792 S  
APPLICATION NO. : 29/473844  
DATED : December 2, 2014  
INVENTOR(S) : Ralph Lapham

Page 1 of 1

It is certified that error appears in the above-identified patent and that said Letters Patent is hereby corrected as shown below:

**On the title page under item (57), line 7, in the DESCRIPTION**

“FIG 5 is a ride side elevational view of the shovel shown in FIG. 1” should read  
-- FIG 5 is a right side elevational view of the shovel shown in FIG. 1 --

Signed and Sealed this  
Nineteenth Day of May, 2015



Michelle K. Lee  
Director of the United States Patent and Trademark Office