



US00D718791S

(12) **United States Design Patent**
Moretto

(10) **Patent No.:** **US D718,791 S**
(45) **Date of Patent:** **** Dec. 2, 2014**

(54) **APPARATUS FOR HANDLING FLUENT MATERIAL**

(75) Inventor: **Renato Moretto**, Padua (IT)

(73) Assignee: **Moretto S.p.A.**, Massanzago, Padua (IT)

(**) Term: **14 Years**

(21) Appl. No.: **29/409,777**

(22) Filed: **Dec. 29, 2011**

(30) **Foreign Application Priority Data**

Jul. 12, 2011 (WO) 613940801

(51) **LOC (10) Cl.** **15-03**

(52) **U.S. Cl.**
USPC **D15/10**

(58) **Field of Classification Search**
USPC D15/10, 19, 122, 199; 209/577, 509,
209/581, 582, 587, 576, 908, 932, 580, 644
See application file for complete search history.

(56) **References Cited**

U.S. PATENT DOCUMENTS

D187,717 S * 4/1960 Kayser D15/19
4,423,961 A * 1/1984 Steiner 366/183.4

D294,642 S * 3/1988 Bostrom D25/3
D322,972 S * 1/1992 St. Ama D15/19
D322,973 S * 1/1992 St. Ama D15/19
D324,688 S * 3/1992 St. Ama D15/19
D327,485 S * 6/1992 St. Ama D15/19
D354,289 S * 1/1995 Fortenberry et al. D15/19
5,836,363 A * 11/1998 LaFleur 141/314
6,027,038 A * 2/2000 Frankoski et al. 239/142
6,399,678 B2 * 6/2002 Frankoski et al. 524/3
D555,672 S * 11/2007 Watson et al. D15/19
D588,166 S * 3/2009 Lyons, III D15/19

* cited by examiner

Primary Examiner — Mark Goodwin

(74) *Attorney, Agent, or Firm* — Shoemaker and Mattare

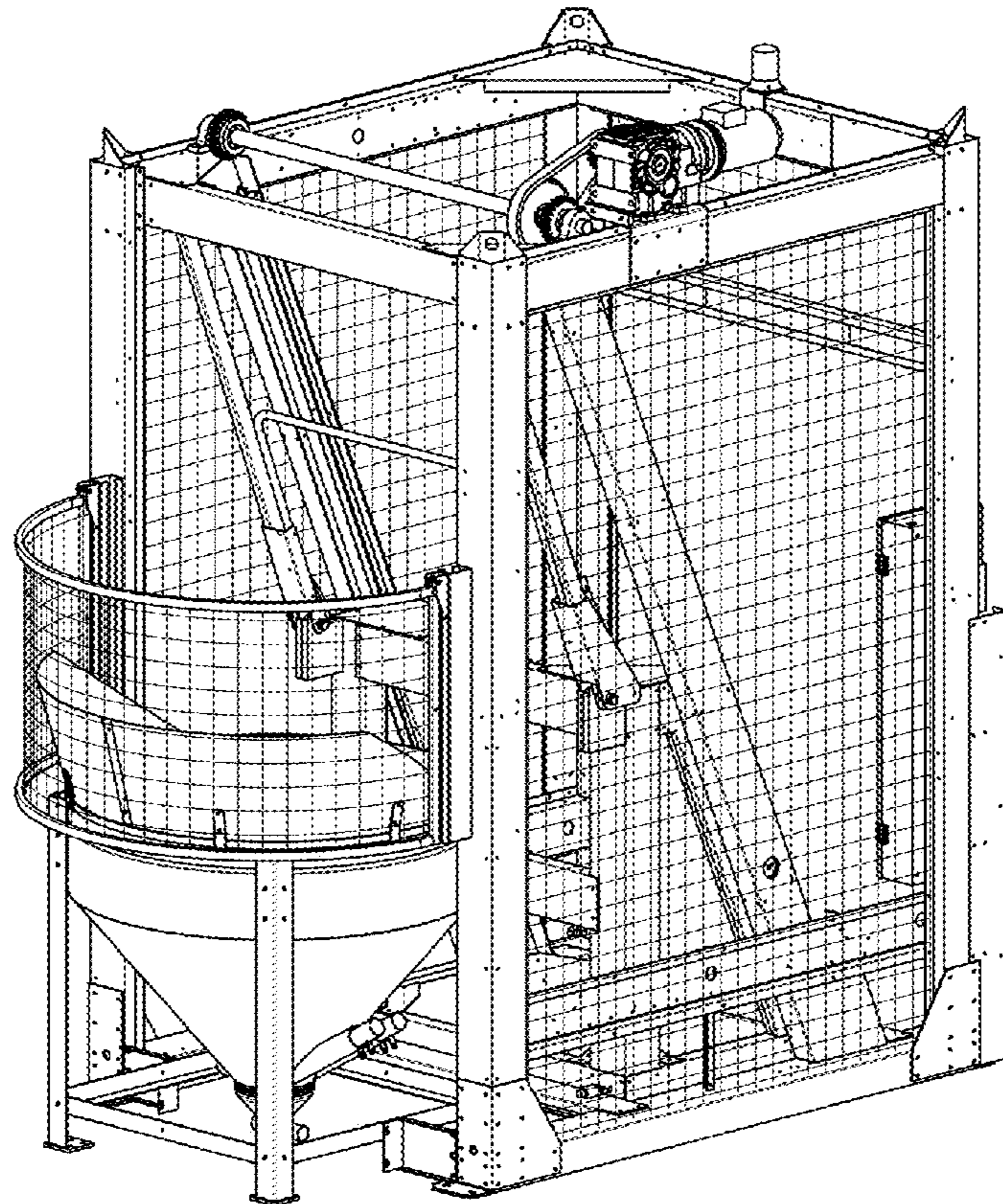
(57) **CLAIM**

The ornamental design for an apparatus for handling fluent material, as shown and described.

DESCRIPTION

FIG. 1 is a perspective view of an apparatus for handling fluent material, showing my new design;
FIG. 2 is a left side view thereof;
FIG. 3 is a front elevational view thereof;
FIG. 4 is a rear elevational view thereof; and,
FIG. 5 is a top plan view thereof.
The broken lines in FIG. 5 indicate portions of the apparatus which are not part of the claimed design. The right side view, not shown, also forms no part of the claimed design.

1 Claim, 5 Drawing Sheets



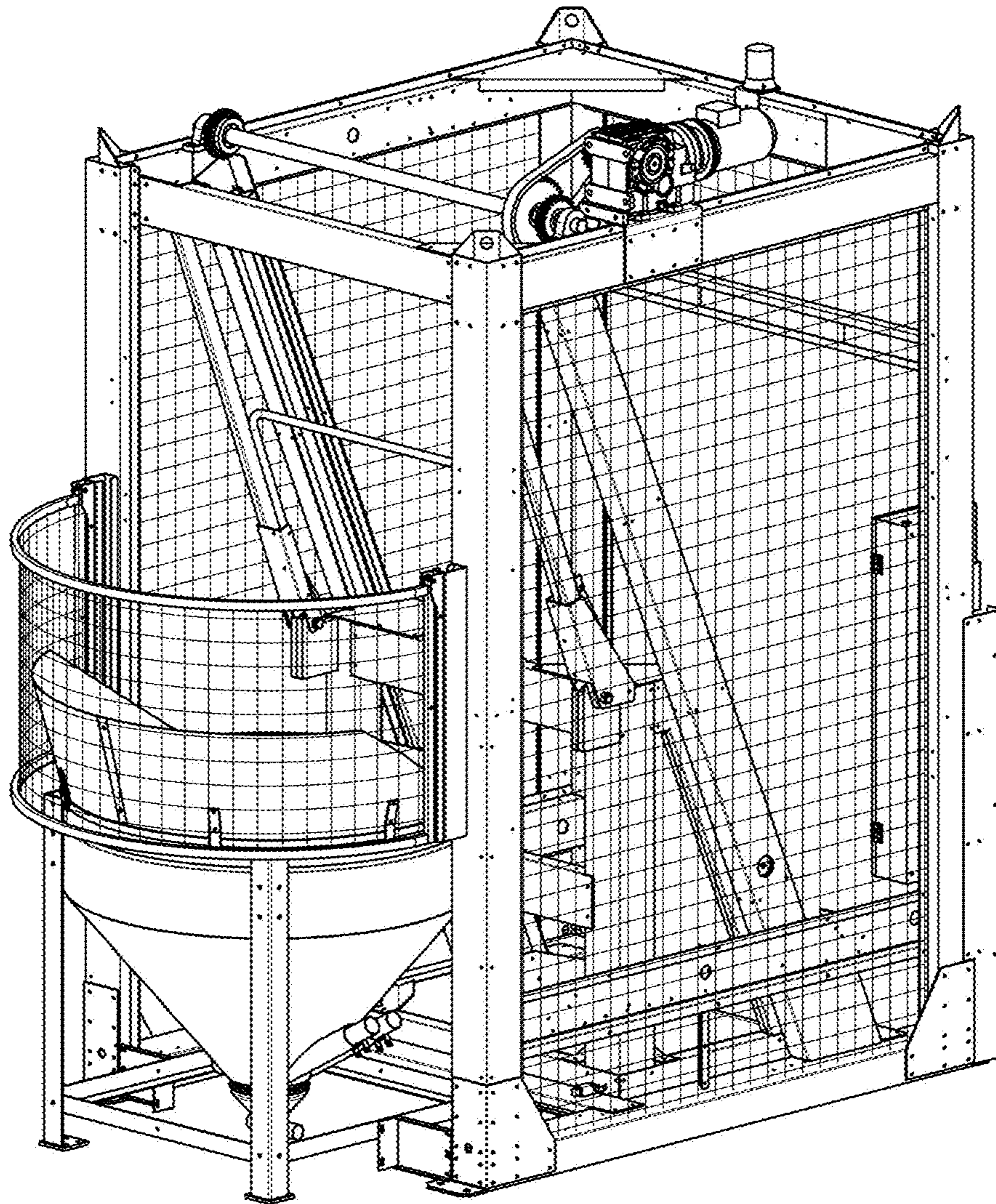


Fig. 1

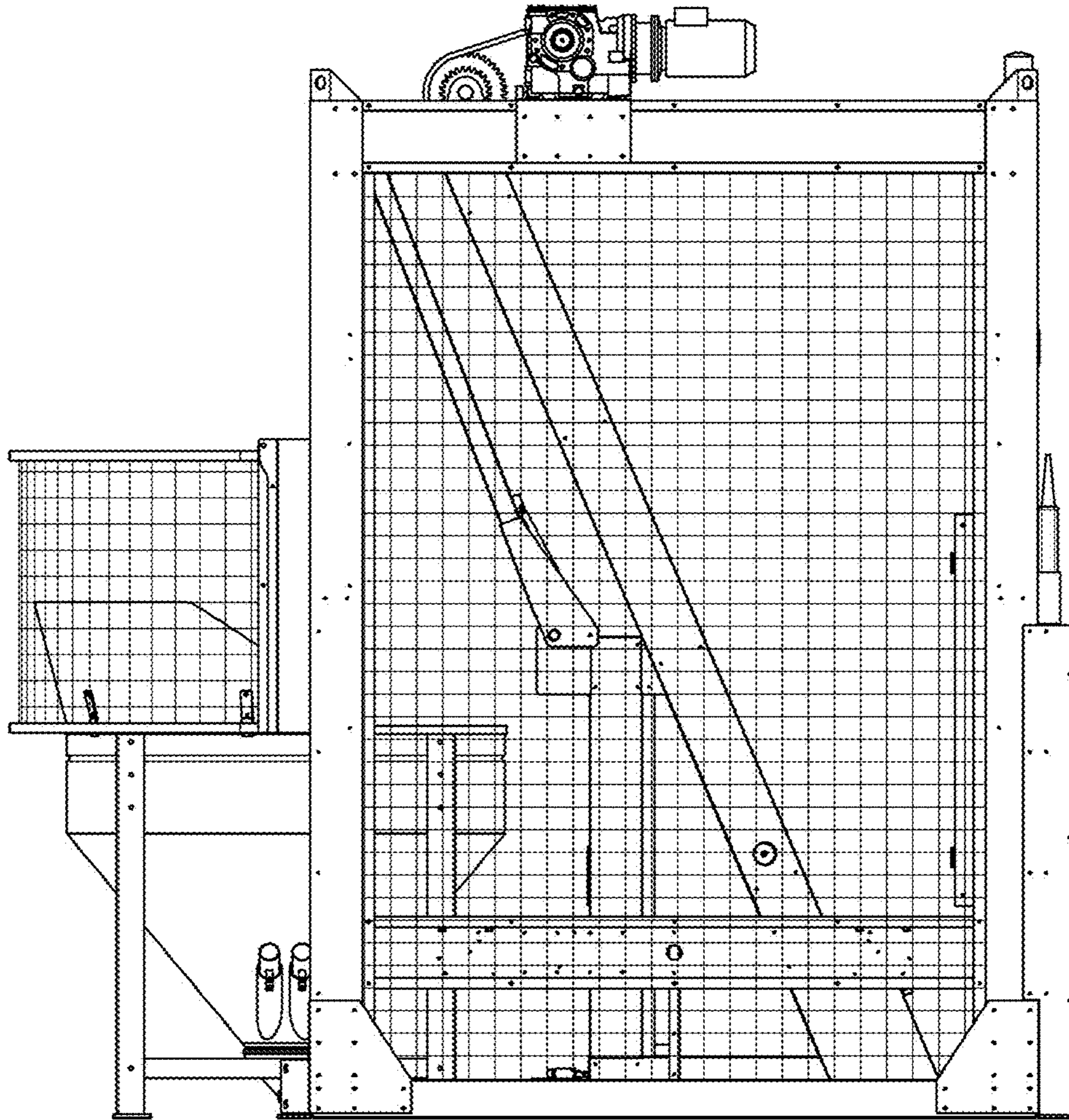


Fig. 2

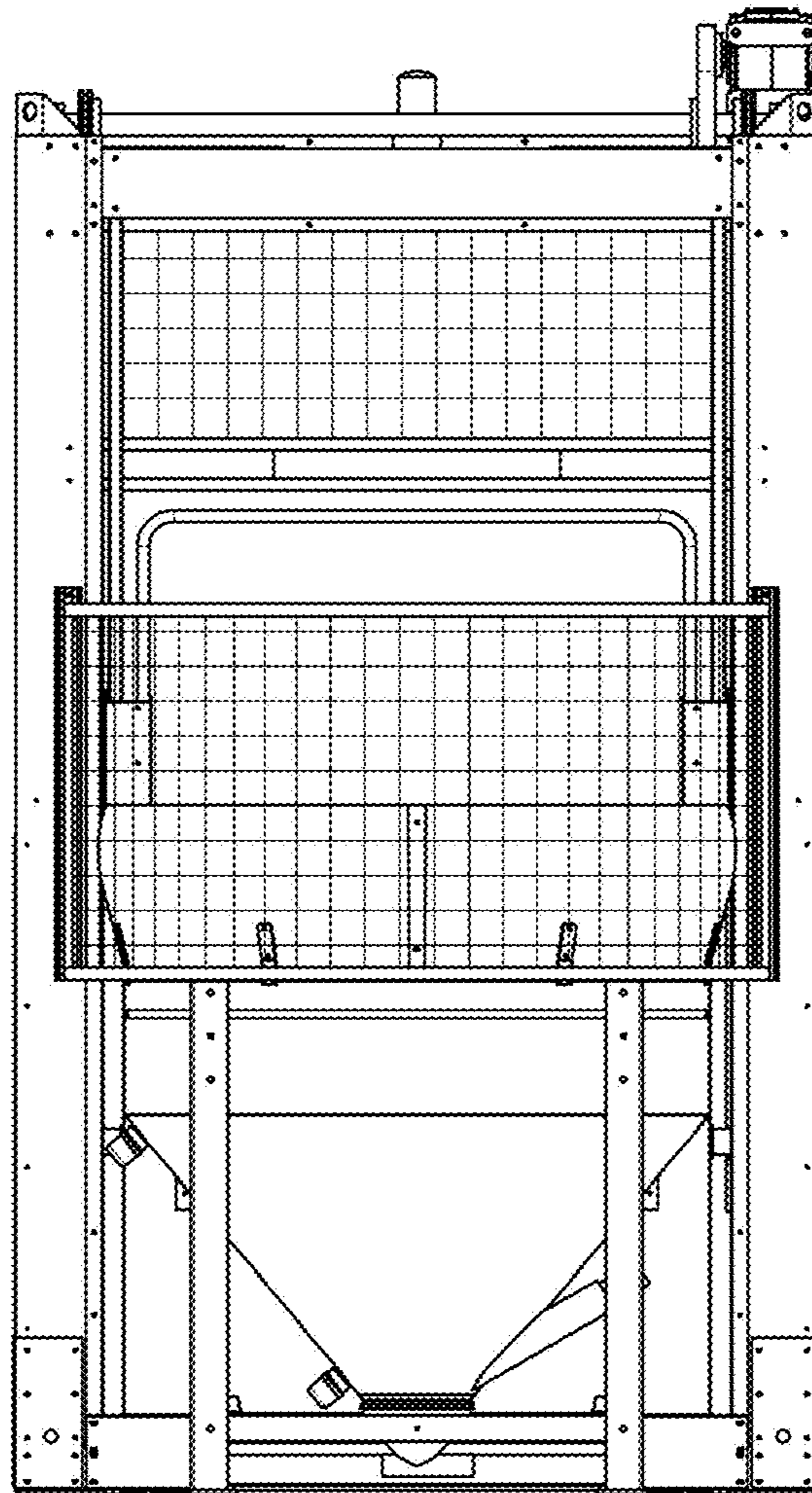


Fig. 3

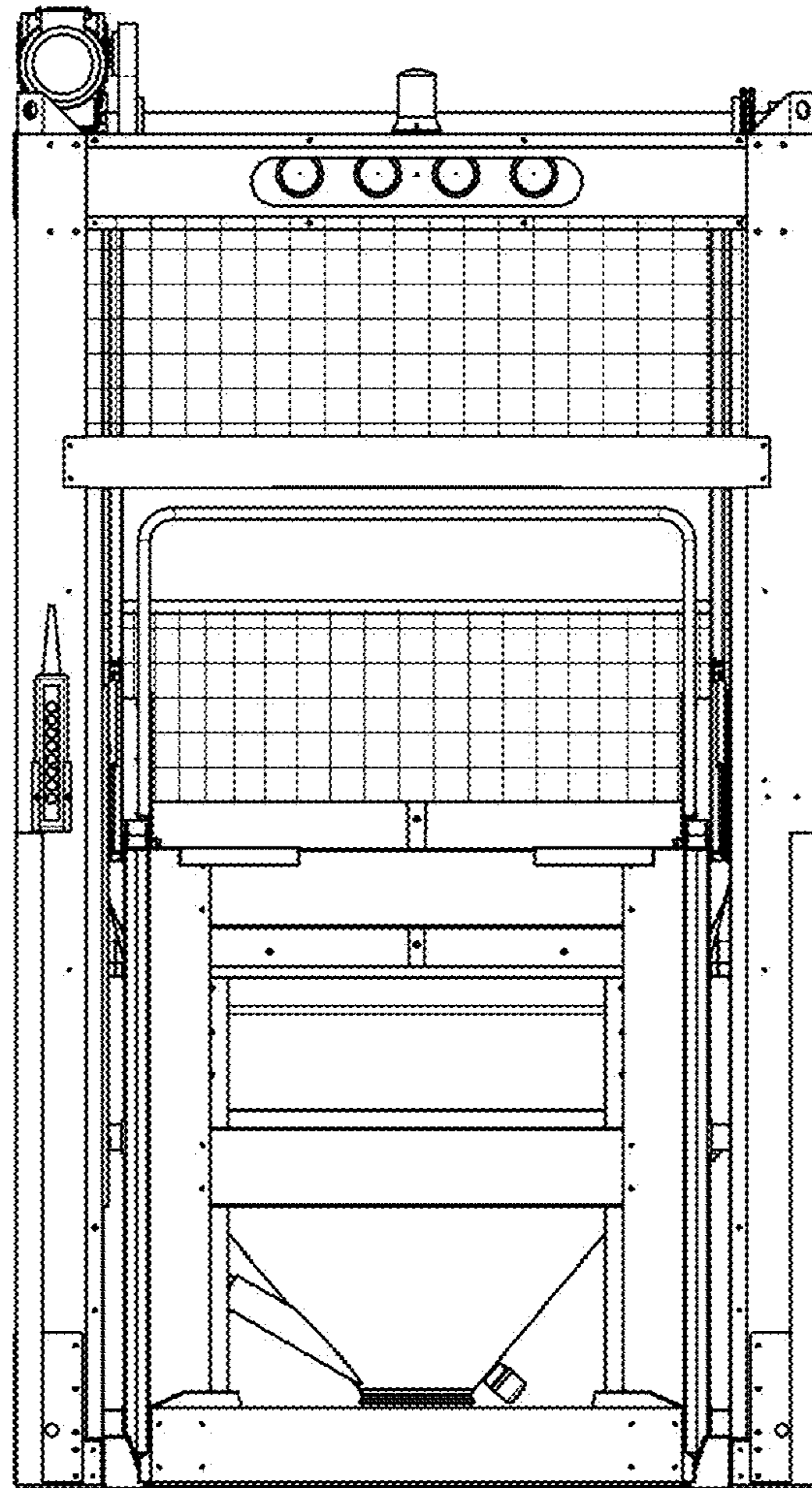


Fig. 4

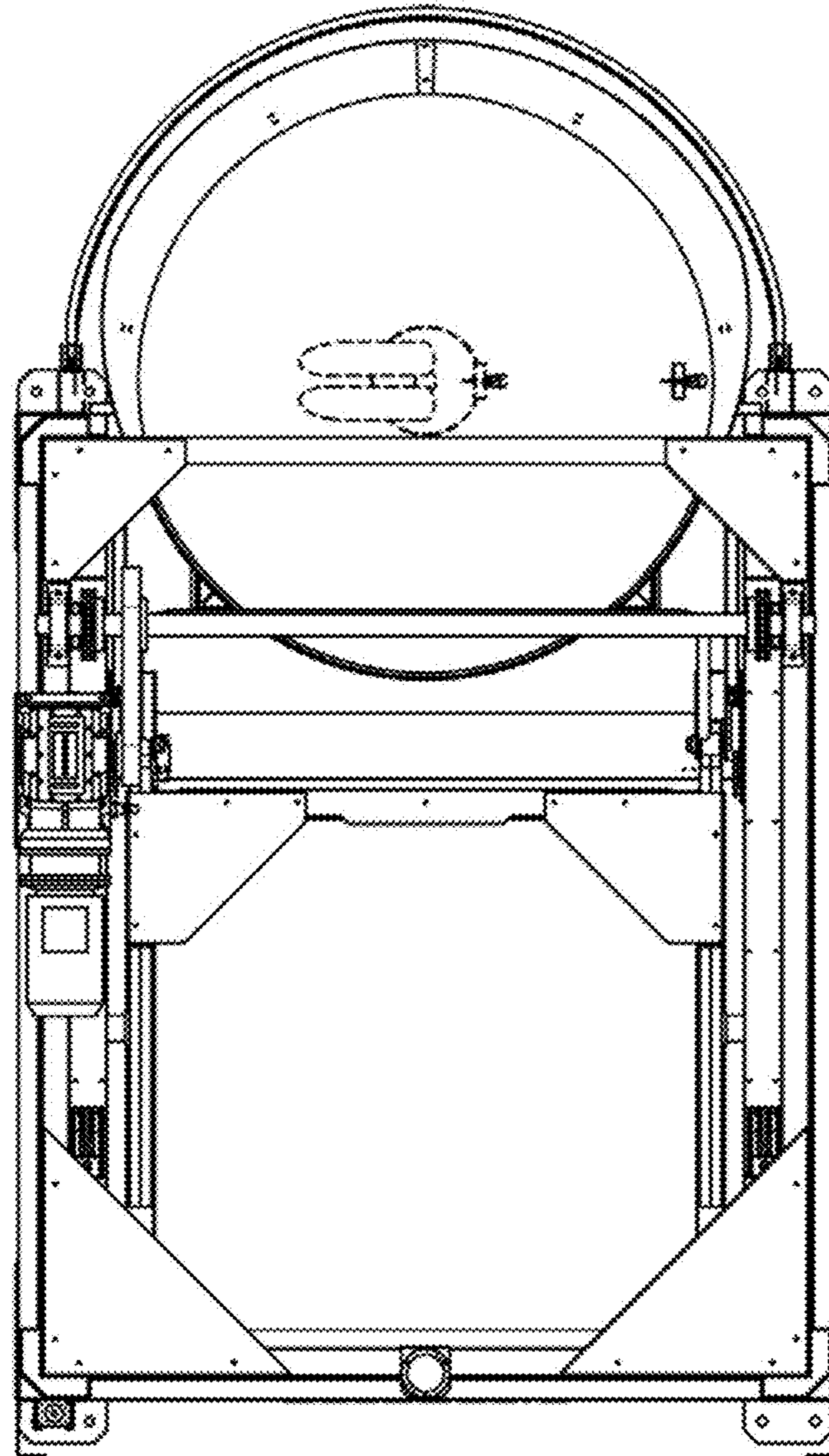


Fig. 5